



US00D683804S

(12) **United States Design Patent**
Huang

(10) **Patent No.:** **US D683,804 S**
(45) **Date of Patent:** **** Jun. 4, 2013**

(54) **HAND GRIP**

(76) Inventor: **Te-Ming Huang**, New Taipei (TW)

(**) Term: **14 Years**

(21) Appl. No.: **29/426,470**

(22) Filed: **Jul. 6, 2012**

(51) **LOC (9) Cl.** **21-02**

(52) **U.S. Cl.**
USPC **D21/684**

(58) **Field of Classification Search**
USPC D21/662, 684, 692-694; 482/44,
482/49, 82, 109, 114, 118, 119, 121, 126,
482/128, 139, 141; D8/61, 303

See application file for complete search history.

(56) **References Cited**

U.S. PATENT DOCUMENTS

3,129,939	A	*	4/1964	Stock	482/49
D294,614	S	*	3/1988	Ditsch et al.	D21/684
5,076,569	A	*	12/1991	Gootter	482/49
D325,411	S	*	4/1992	Everly	D21/684
D352,754	S	*	11/1994	Silagy	D21/684
D359,779	S	*	6/1995	Peters et al.	D21/684
D385,603	S	*	10/1997	Ditsch	D21/684

D387,826	S	*	12/1997	Smallwood et al.	D21/684
D403,385	S	*	12/1998	Smyser et al.	D21/684
D403,723	S	*	1/1999	Coe	D21/684
D405,134	S	*	2/1999	Hug	D21/684
D416,299	S	*	11/1999	Hug	D21/684
D418,180	S	*	12/1999	Hug	D21/684
D418,560	S	*	1/2000	Hug	D21/684
D419,210	S	*	1/2000	Hug	D21/684
D583,884	S	*	12/2008	Zickert	D21/684

* cited by examiner

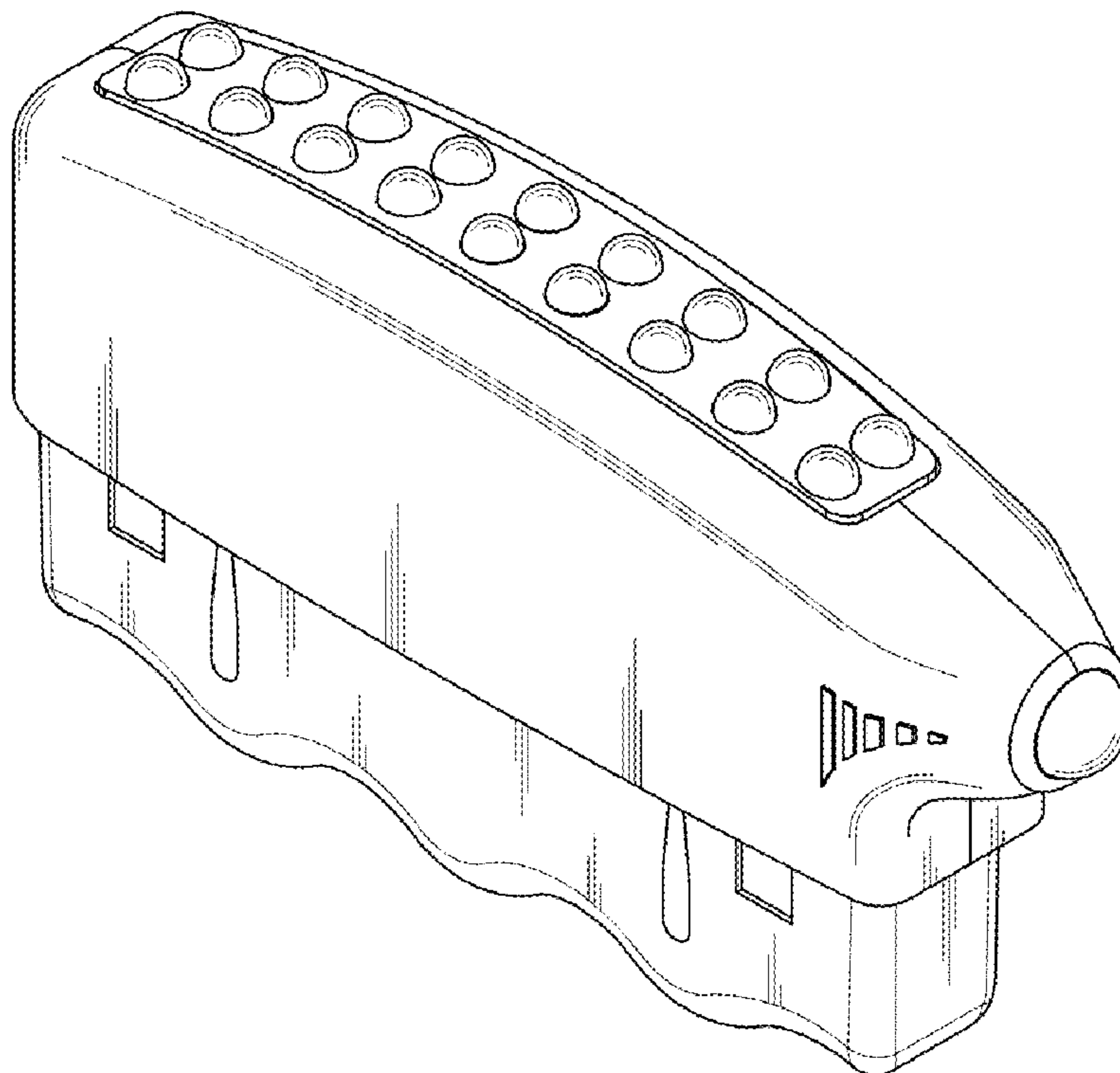
Primary Examiner — Susan E Krakower

(57) **CLAIM**
The ornamental design for a hand grip, is as shown and described.

DESCRIPTION

FIG. 1 is a perspective view of a hand grip showing my new design;
FIG. 2 is a front elevational view thereof;
FIG. 3 is a rear elevational view thereof;
FIG. 4 is a left elevational view thereof;
FIG. 5 is a right elevational view thereof;
FIG. 6 is a top view thereof; and,
FIG. 7 is a bottom view thereof.

1 Claim, 5 Drawing Sheets



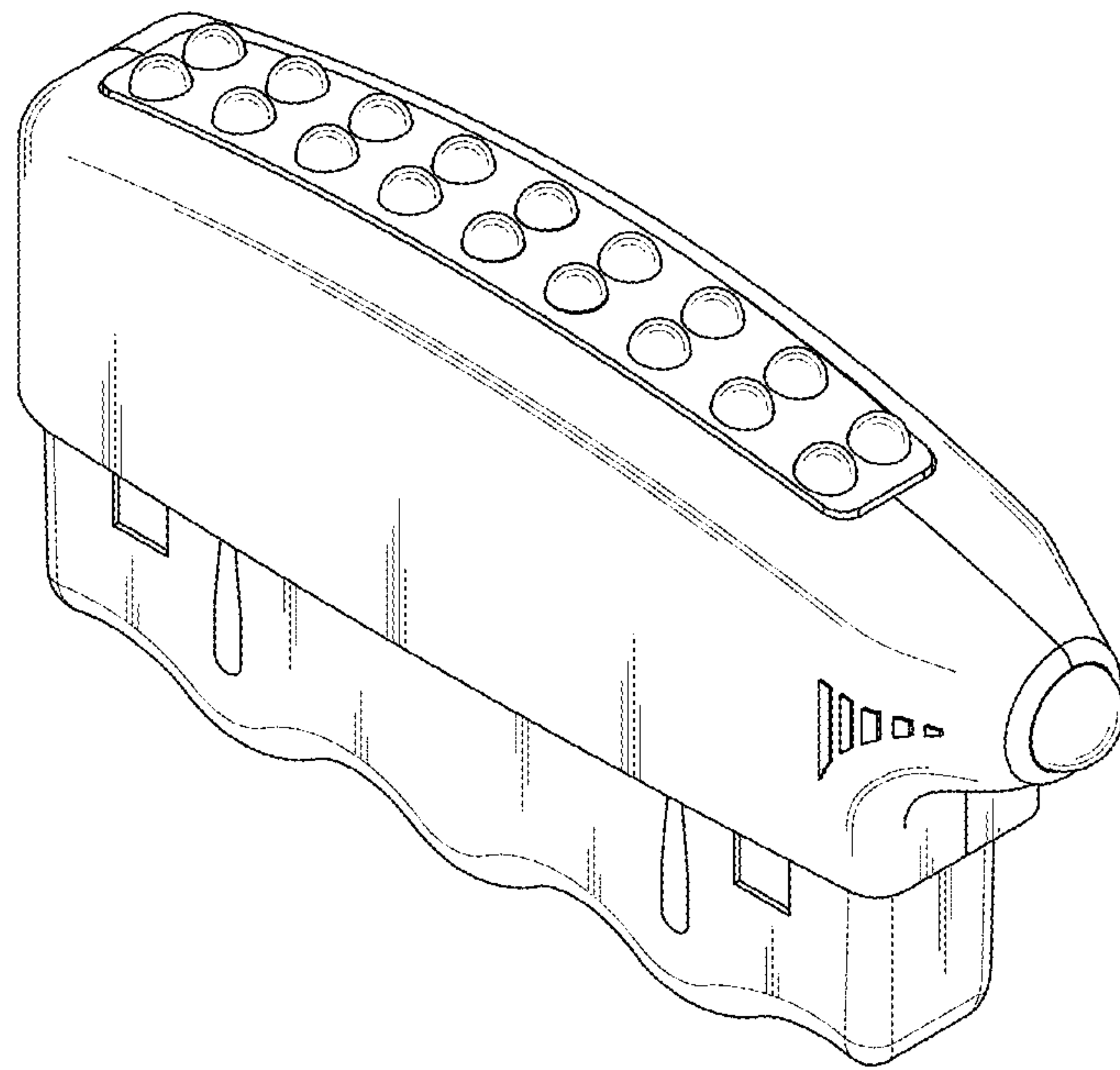


FIG. 1

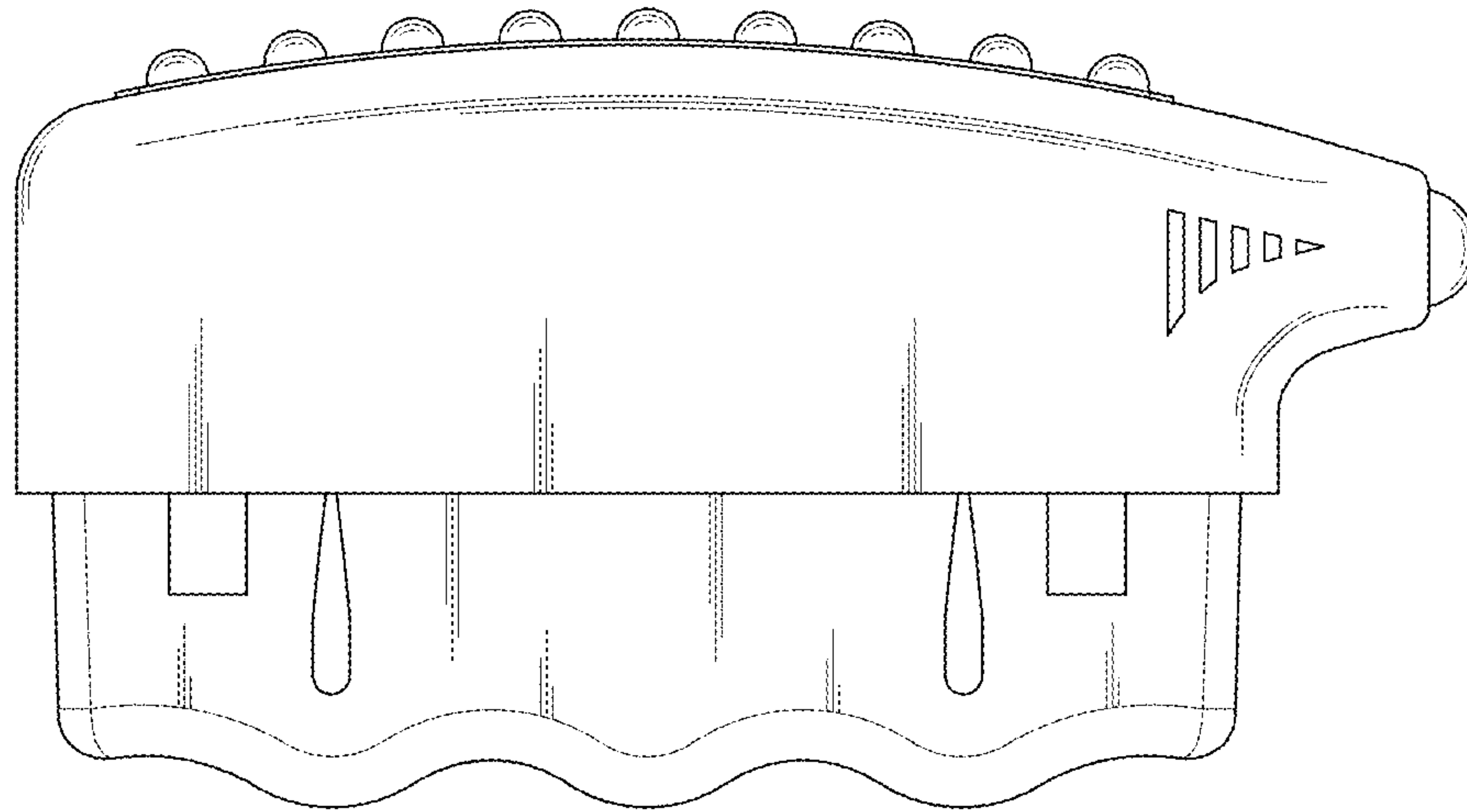


FIG. 2

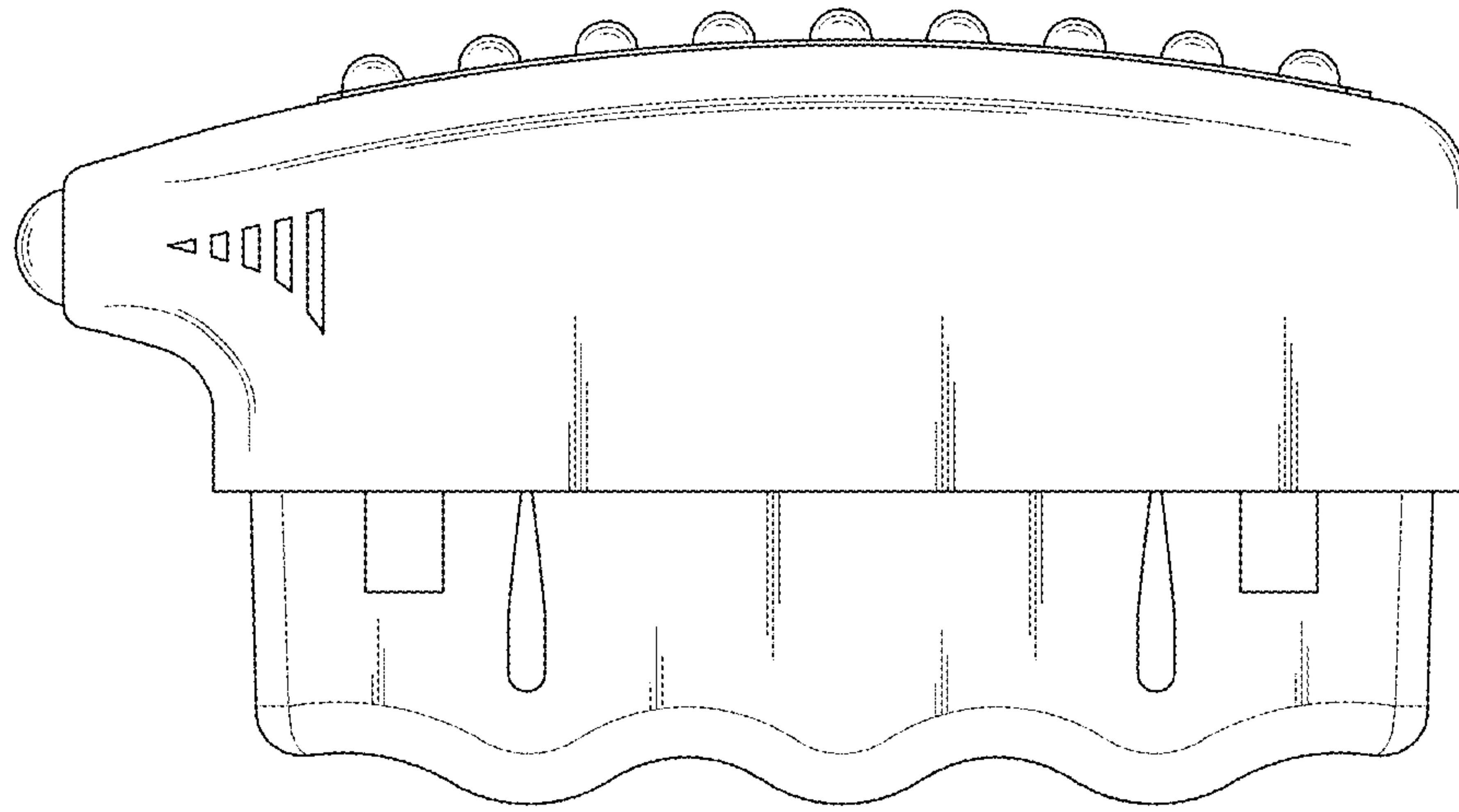


FIG. 3

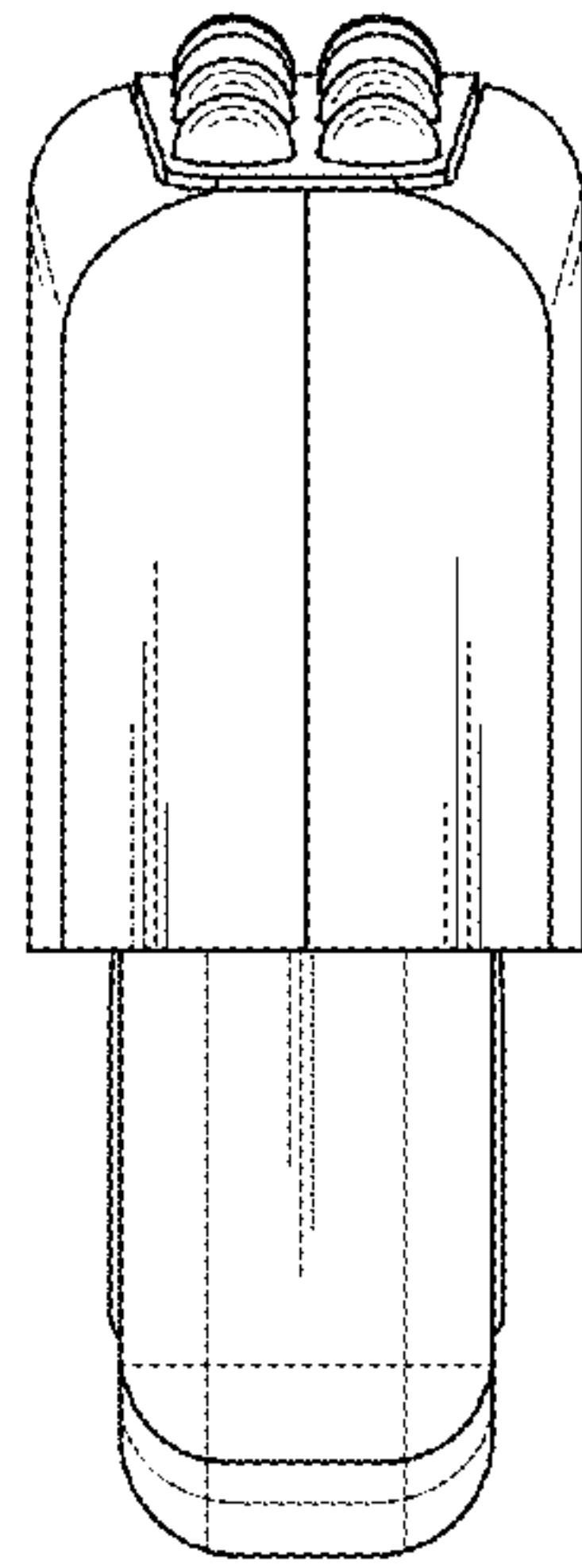


FIG. 4

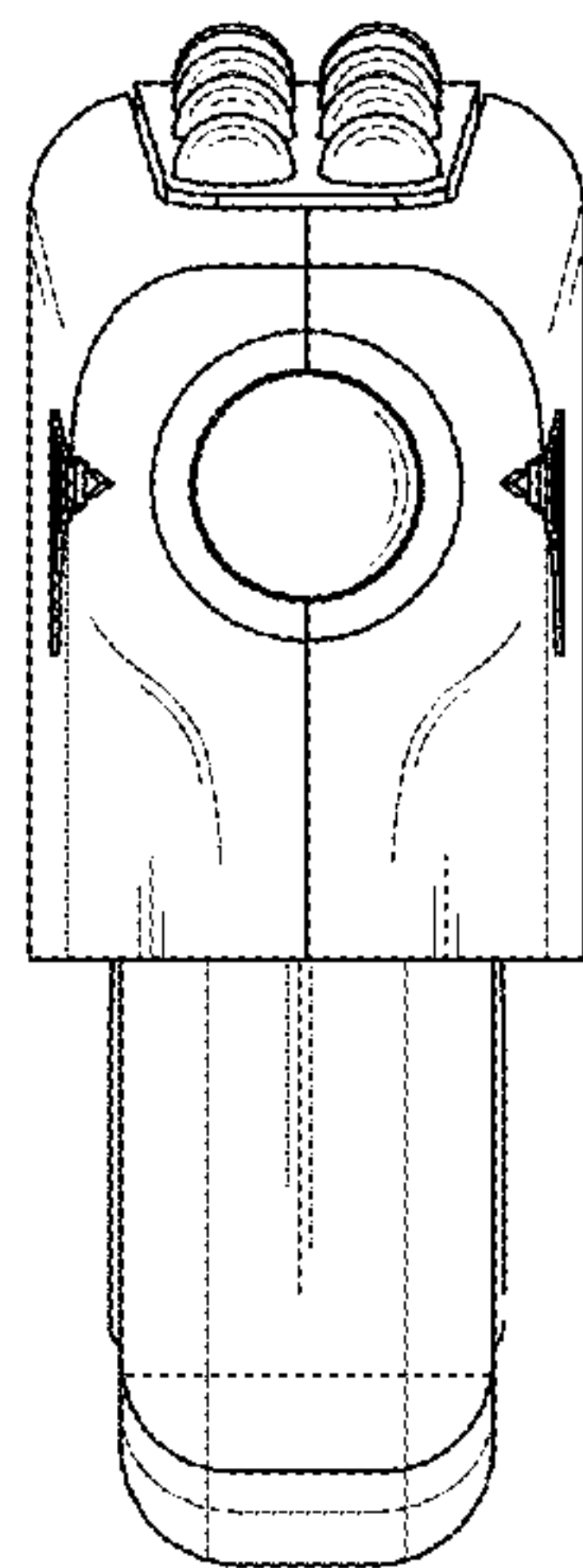


FIG. 5

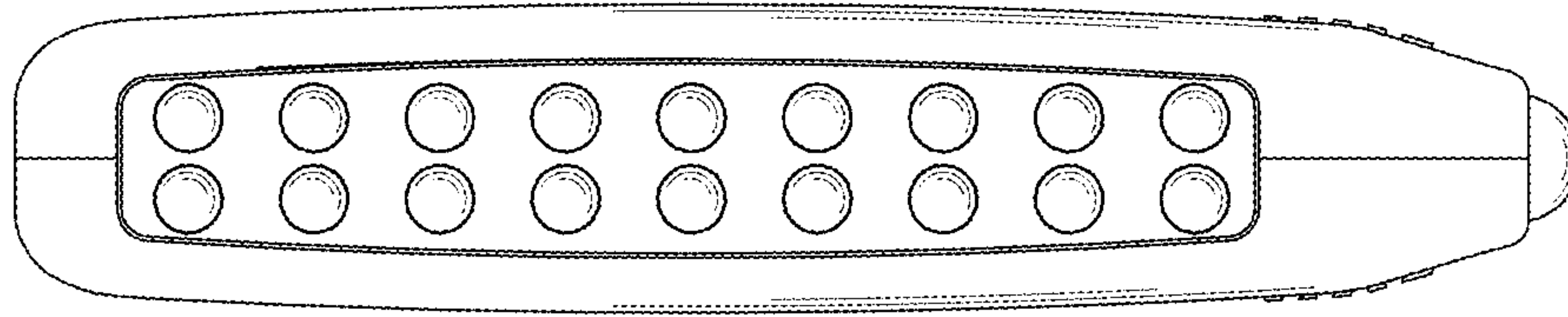


FIG. 6

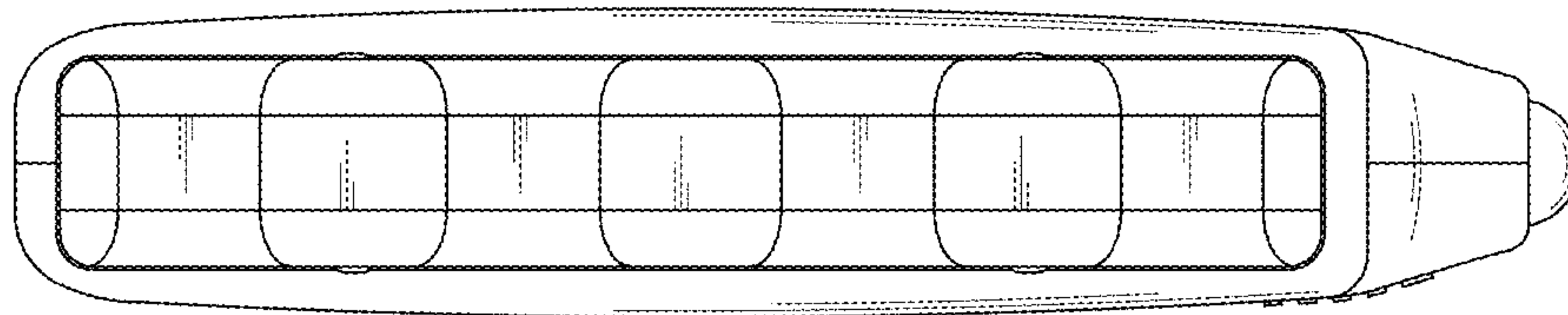


FIG. 7