



US00D683803S

(12) **United States Design Patent**  
**Childs**

(10) **Patent No.:** **US D683,803 S**  
(45) **Date of Patent:** **\*\* Jun. 4, 2013**

- (54) **EXERCISE DEVICE**
- (71) Applicant: **Escape Fitness Limited**, Peterborough (GB)
- (72) Inventor: **Martin Lloyd Childs**, Chatteris (GB)
- (73) Assignee: **Escape Fitness Limited**, Hampton, Peterborough (GB)
- (\*\*) Term: **14 Years**
- (21) Appl. No.: **29/432,983**
- (22) Filed: **Sep. 24, 2012**
- (51) **LOC (9) Cl.** ..... **21-02**
- (52) **U.S. Cl.**  
USPC ..... **D21/681; D21/682**
- (58) **Field of Classification Search**  
USPC ..... D21/662, 680-682, 692, 694; 482/92-94, 482/98, 106-108, 142  
See application file for complete search history.

7,381,157	B2 *	6/2008	Blateri	.....	482/50
D616,949	S *	6/2010	Wang	.....	D21/682
7,762,933	B1 *	7/2010	Yu	.....	482/107
7,976,443	B2 *	7/2011	Krull	.....	482/108
D653,716	S *	2/2012	Lin	.....	D21/682
D654,971	S *	2/2012	Januszek	.....	D21/682
D664,613	S *	7/2012	Dalebout et al.	.....	D21/682
2011/0275494	A1 *	11/2011	Radi et al.	.....	482/93
2012/0322631	A1 *	12/2012	Januszek	.....	482/108
2013/0012367	A1 *	1/2013	Williams	.....	482/108

\* cited by examiner

*Primary Examiner* — Susan E Krakower  
(74) *Attorney, Agent, or Firm* — Merchant & Gould P.C.

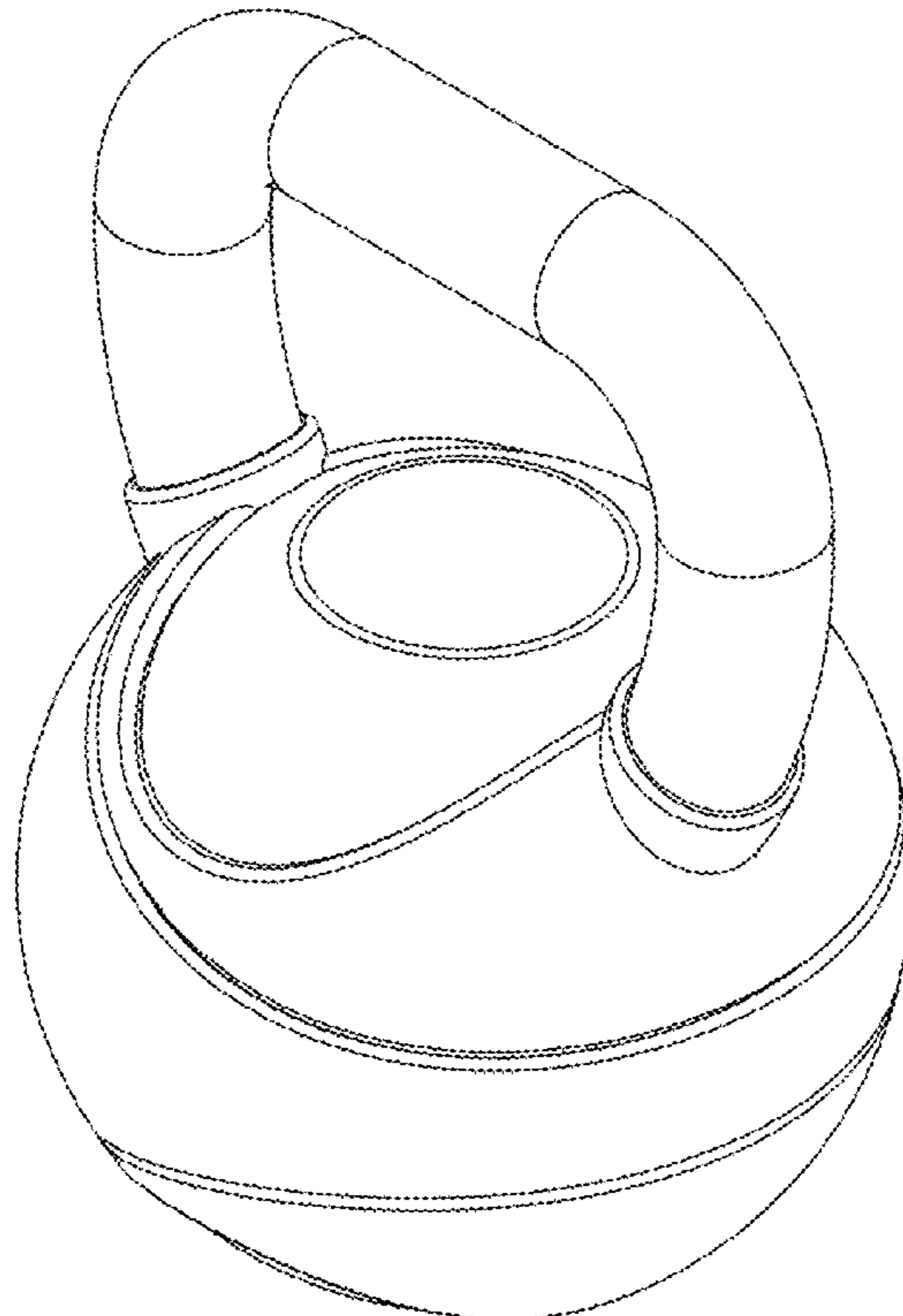
(57) **CLAIM**  
The ornamental design for exercise device, as shown and described.

**DESCRIPTION**

FIG. 1 is a perspective view showing my design of exercise device;  
FIG. 2 is a back view;  
FIG. 3 is a bottom view;  
FIG. 4 is a front view;  
FIG. 5 is a left side view;  
FIG. 6 is a right side view; and,  
FIG. 7 is a top view of the design thereof.

**1 Claim, 7 Drawing Sheets**

- (56) **References Cited**  
**U.S. PATENT DOCUMENTS**  
5,085,320 A \* 2/1992 Scott ..... 206/315.9  
D522,594 S \* 6/2006 Donahue et al. .... D21/682  
D522,595 S \* 6/2006 Donahue et al. .... D21/682



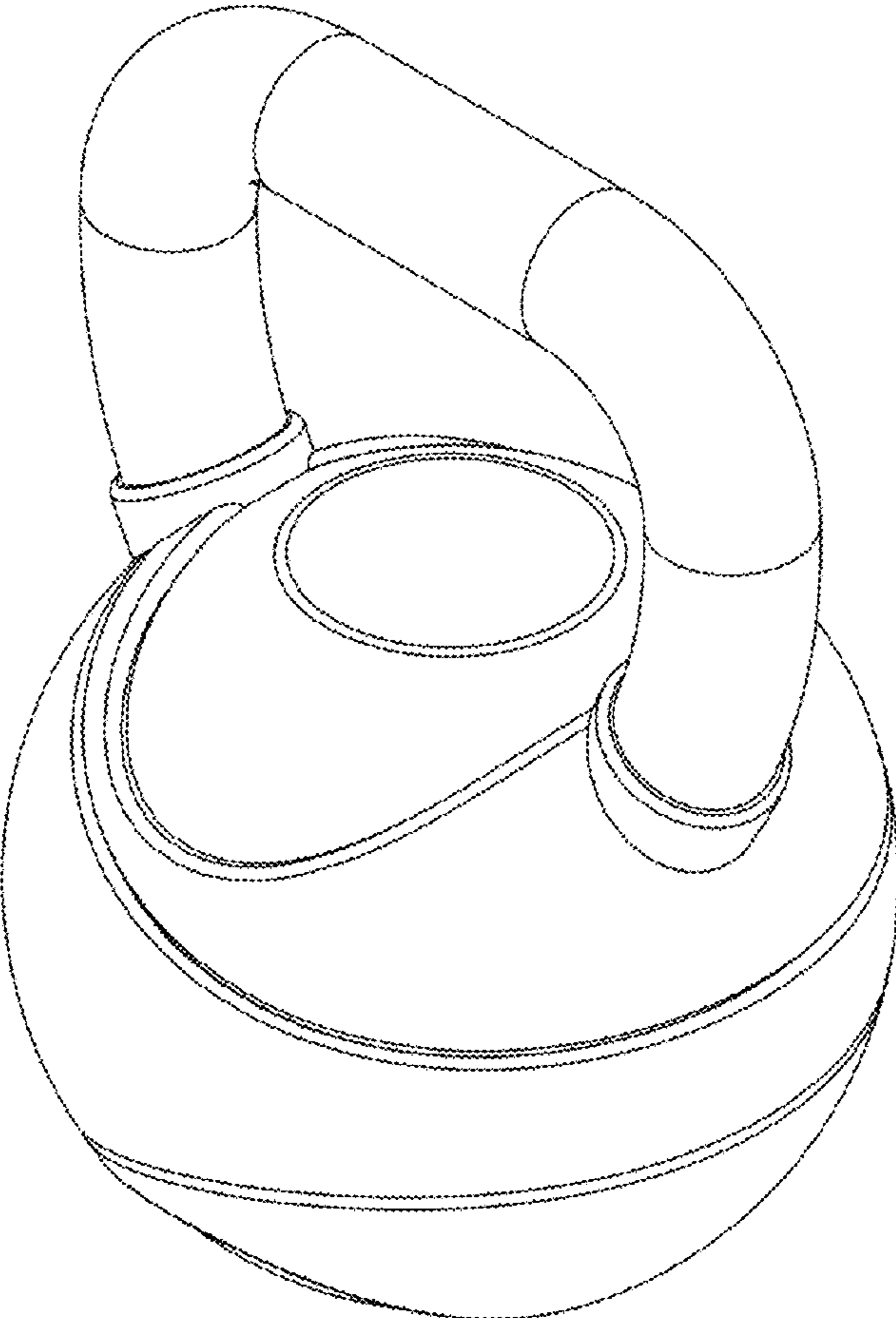


Figure 1

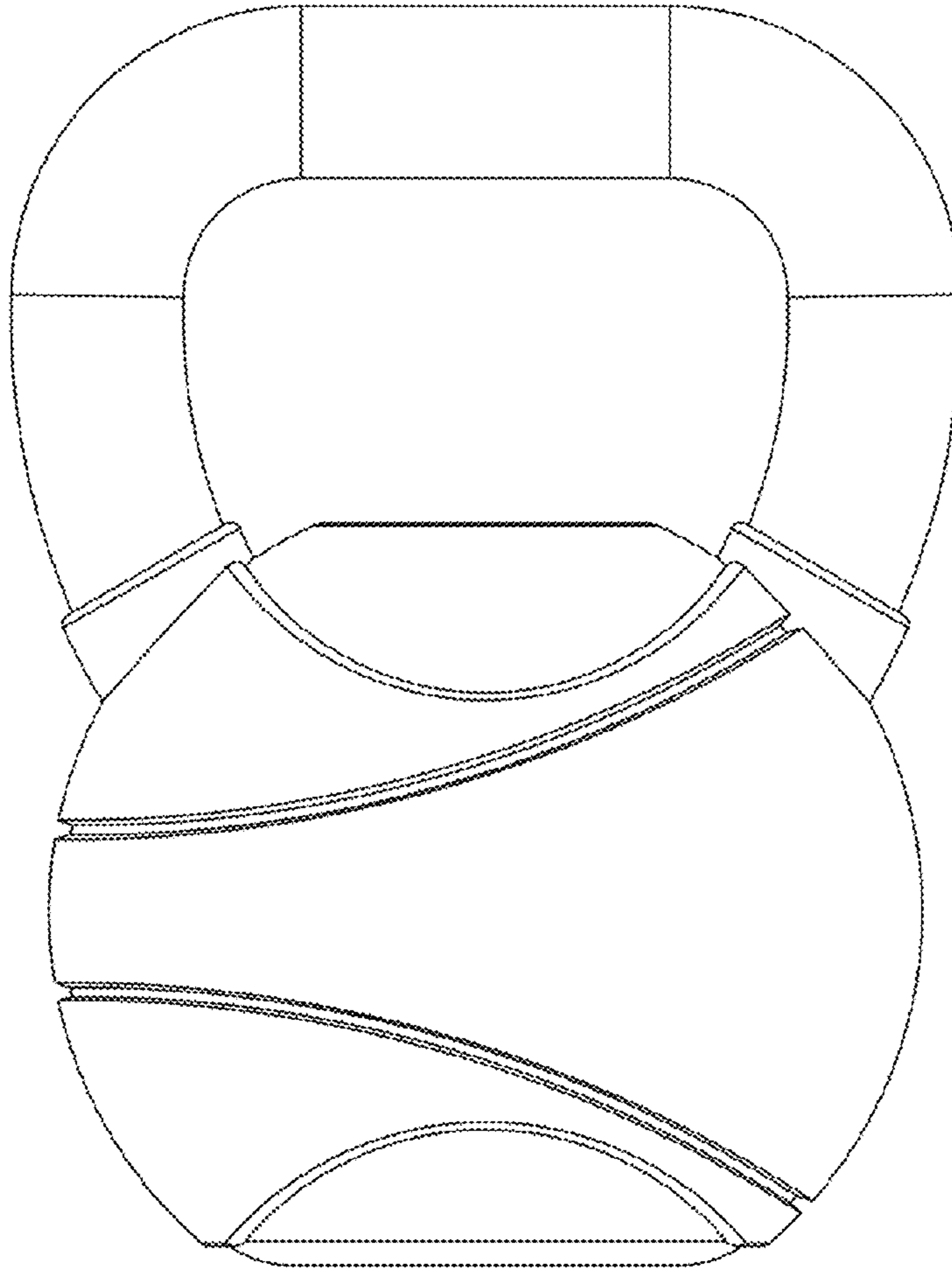


Figure 2

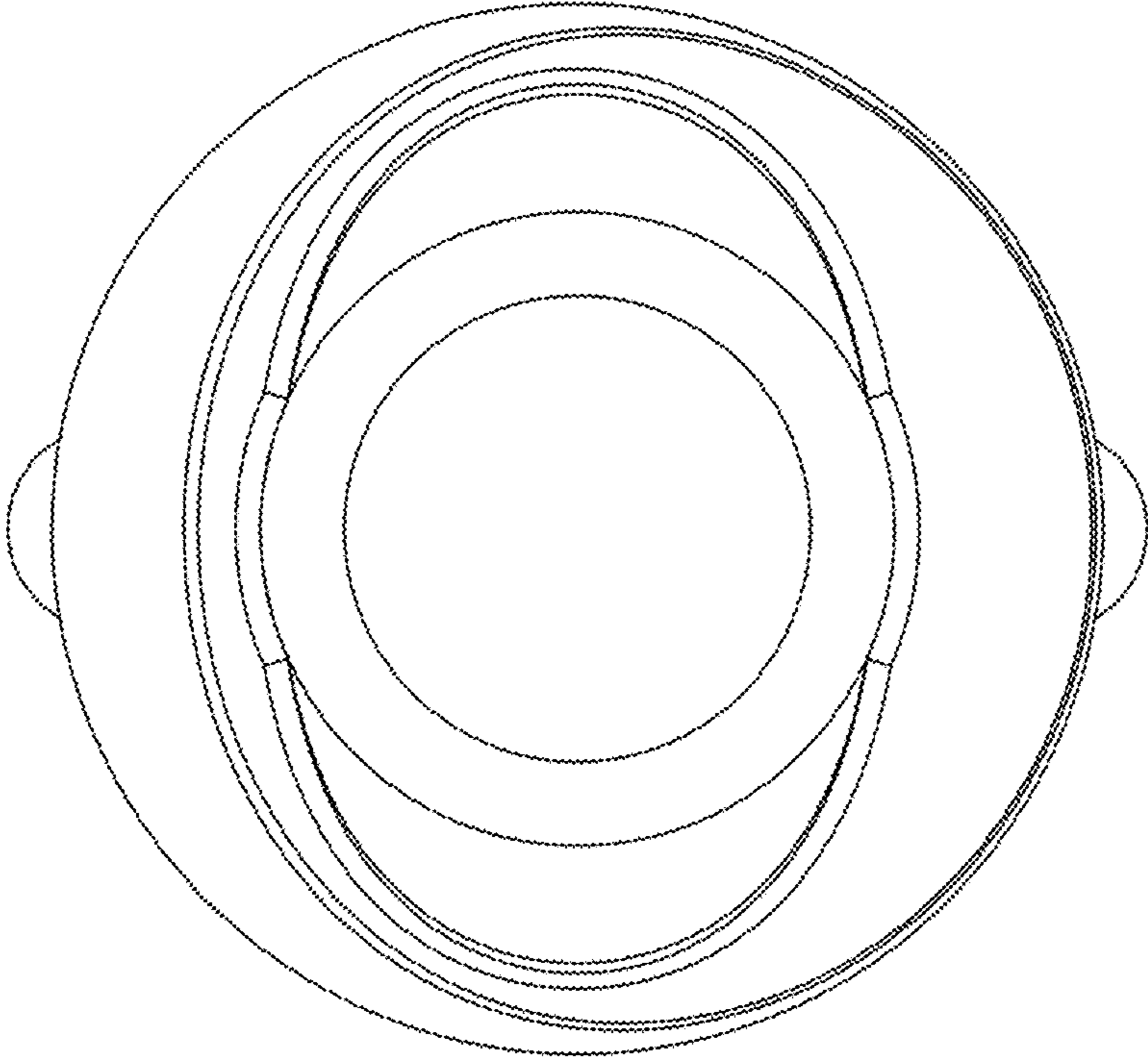


Figure 3

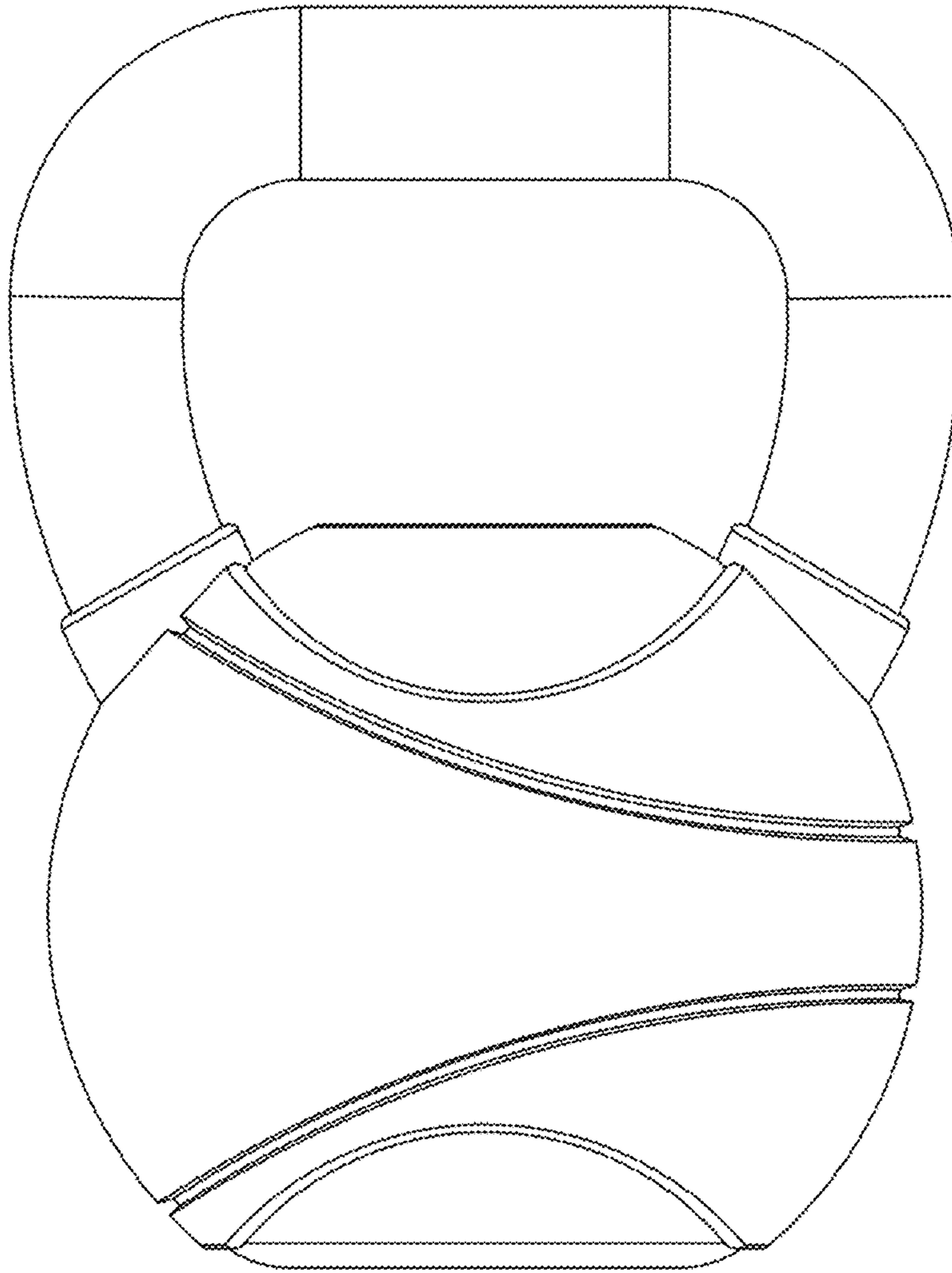


Figure 4

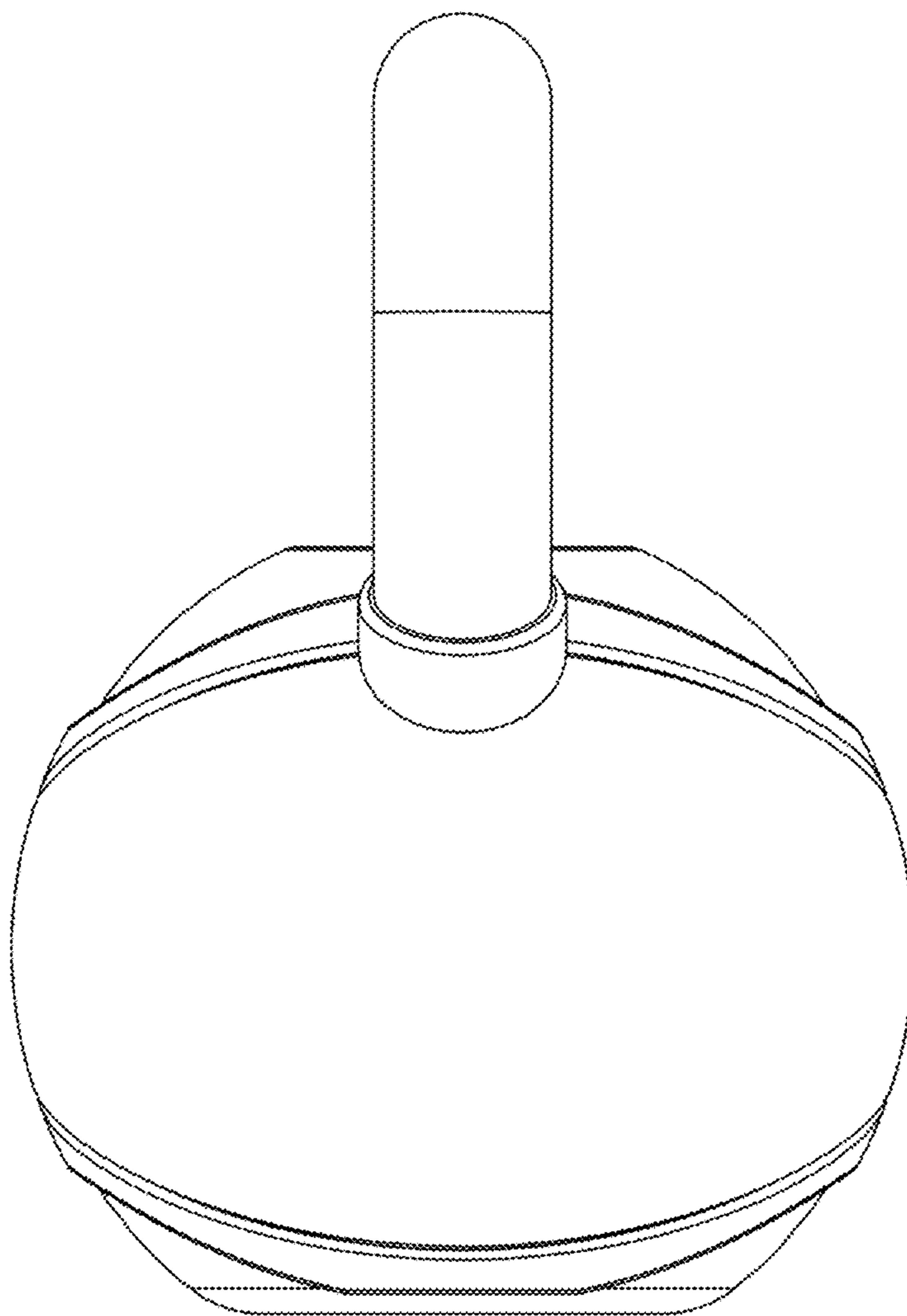


Figure 5

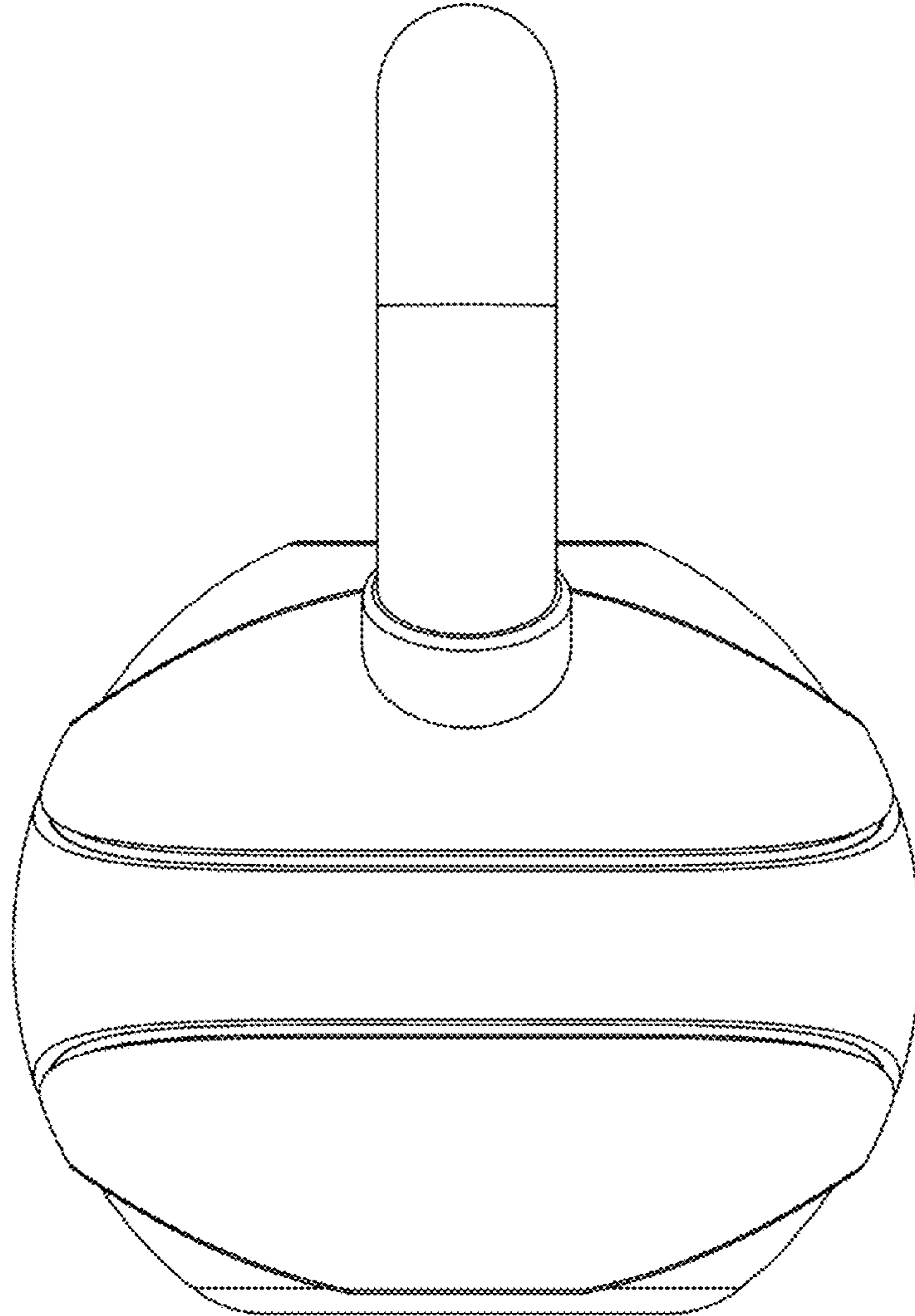


Figure 6

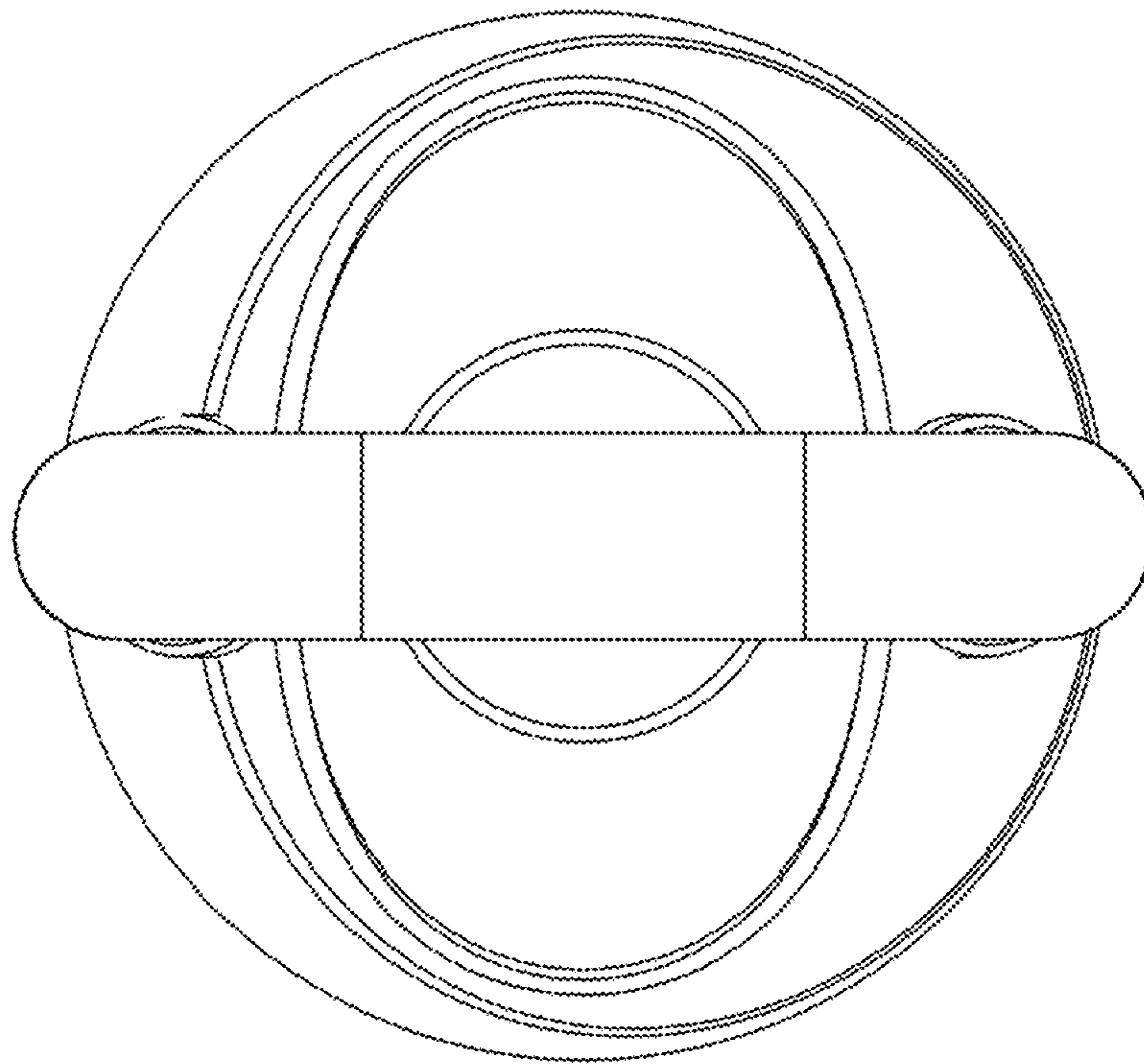


Figure 7