



US00D683802S

(12) **United States Design Patent**  
**Lee et al.**

(10) **Patent No.:** **US D683,802 S**  
(45) **Date of Patent:** **\*\* Jun. 4, 2013**

(54) **TREADMILL**  
(75) Inventors: **Sunny Lee, Tsao-Tun Chen (TW);**  
**Simon Chao, Tsao-Tun Chen (TW)**  
(73) Assignee: **Superweigh Enterprise Co., Ltd,**  
**Tsao-Tun Chen, Nan-Tou Hsien (TW)**  
(\*\*) **Term: 14 Years**  
(21) Appl. No.: **29/427,445**  
(22) Filed: **Jul. 18, 2012**  
(51) **LOC (9) Cl. .... 21-02**  
(52) **U.S. Cl.**  
**USPC ..... D21/669**  
(58) **Field of Classification Search**  
**USPC ..... D21/662, 668, 669, 670, 671, 686,**  
**D21/688, 689, 694; D24/200, 215; 601/23,**  
**601/29, 46, 49, 51, 66, 70, 90; 482/27, 51,**  
**482/54, 71, 78, 130, 145-147, 91; 280/205**  
**See application file for complete search history.**

5,855,537 A \* 1/1999 Coody et al. .... 482/54  
5,868,648 A \* 2/1999 Coody et al. .... 482/54  
6,830,540 B2 \* 12/2004 Watterson et al. .... 482/54  
7,544,153 B2 \* 6/2009 Trevino et al. .... 482/54  
7,637,850 B2 \* 12/2009 Chen ..... 482/54  
7,780,578 B2 \* 8/2010 Packham ..... 482/54  
D630,686 S \* 1/2011 Flick et al. .... D21/669  
7,914,421 B2 \* 3/2011 Weier et al. .... 482/54

\* cited by examiner

*Primary Examiner* — Susan E Krakower  
(74) *Attorney, Agent, or Firm* — Shook Hardy & Bacon LLP

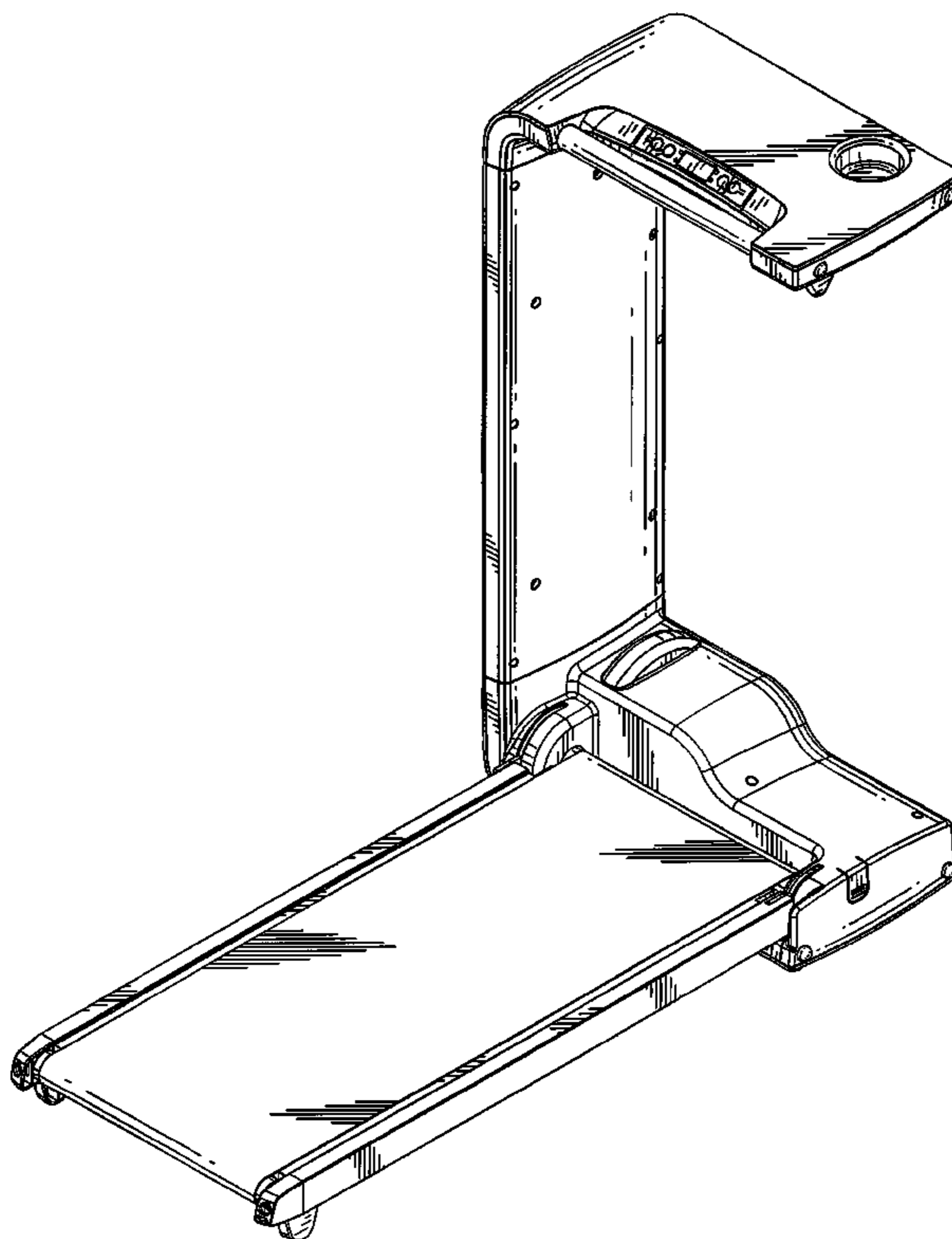
(56) **References Cited**  
**U.S. PATENT DOCUMENTS**  
D316,124 S \* 4/1991 Dalebout et al. .... D21/669  
D323,198 S \* 1/1992 Dalebout et al. .... D21/669  
5,141,479 A \* 8/1992 Vanjani et al. .... 482/54  
D330,923 S \* 11/1992 Furline ..... D21/669  
D361,806 S \* 8/1995 Bartlett ..... D21/669

(57) **CLAIM**  
The ornamental design for treadmill, as shown and described.

**DESCRIPTION**

FIG. 1 is a perspective view of treadmill showing our new design;  
FIG. 2 is a front elevational view thereof;  
FIG. 3 is a rear elevational view thereof;  
FIG. 4 is a left side elevational view thereof;  
FIG. 5 is a right side elevational view thereof;  
FIG. 6 is a top plan view thereof;  
FIG. 7 is a bottom plan view thereof; and,  
FIG. 8 is a perspective view of the treadmill in an alternate position.

**1 Claim, 7 Drawing Sheets**



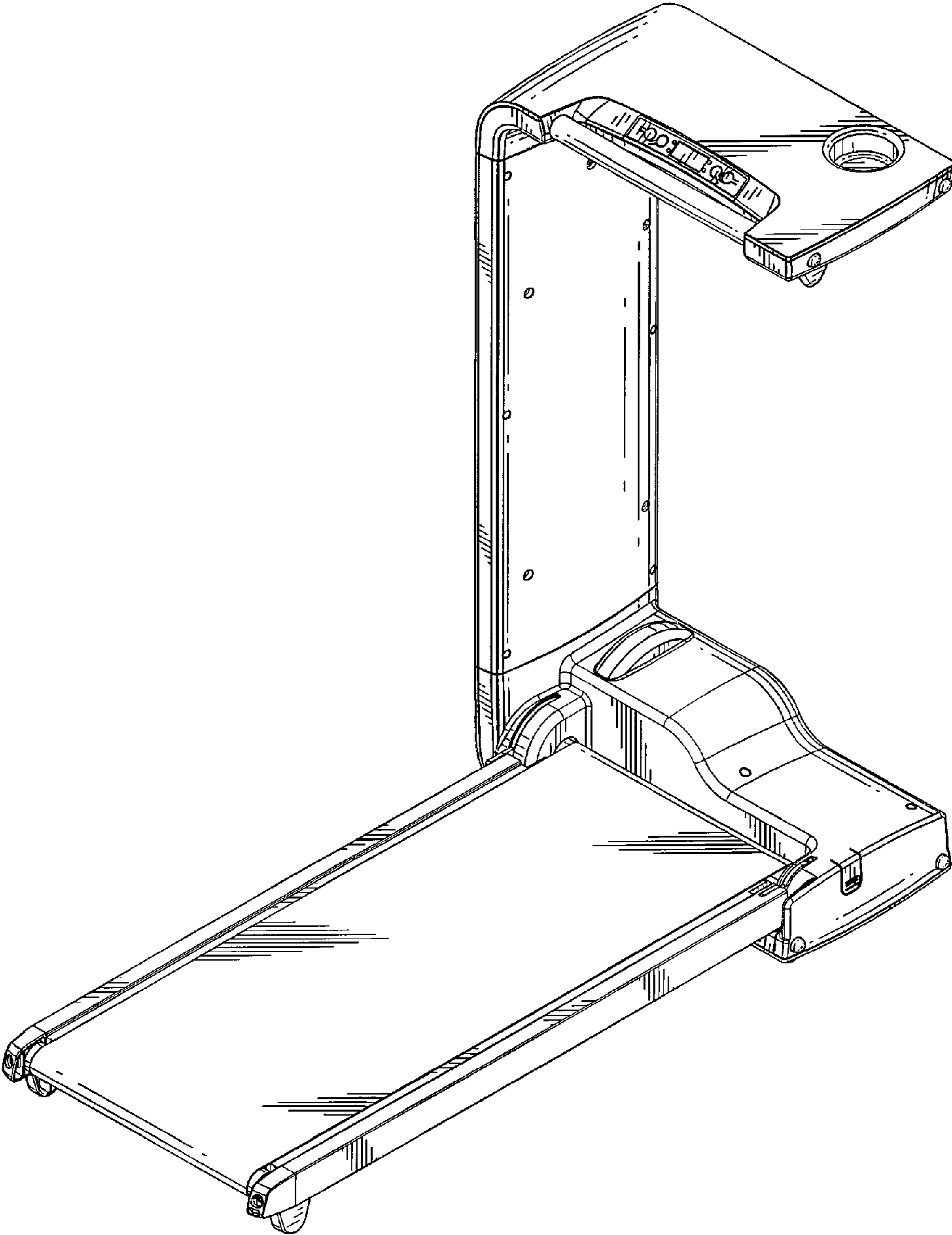


FIG. 1

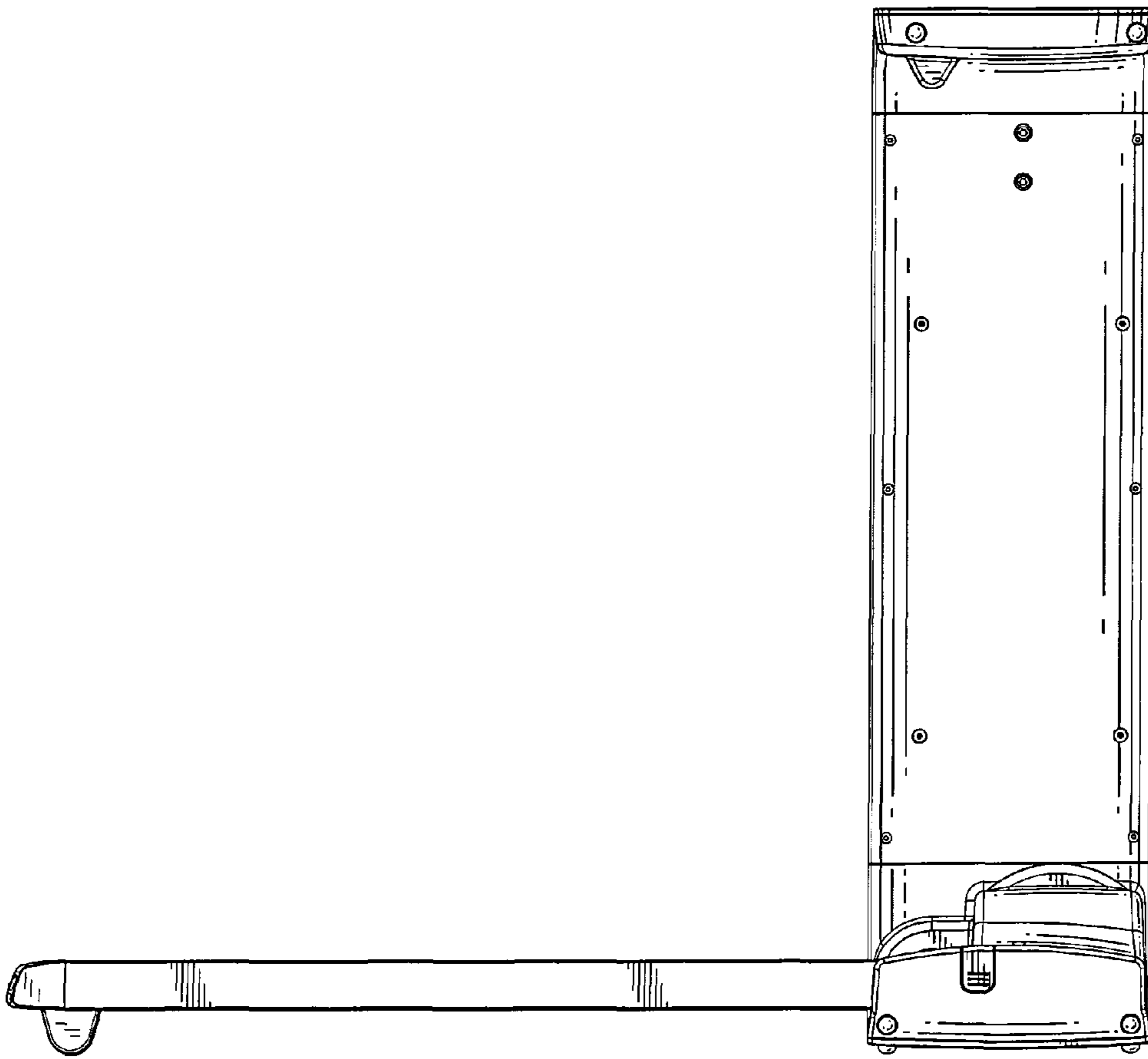


FIG. 2

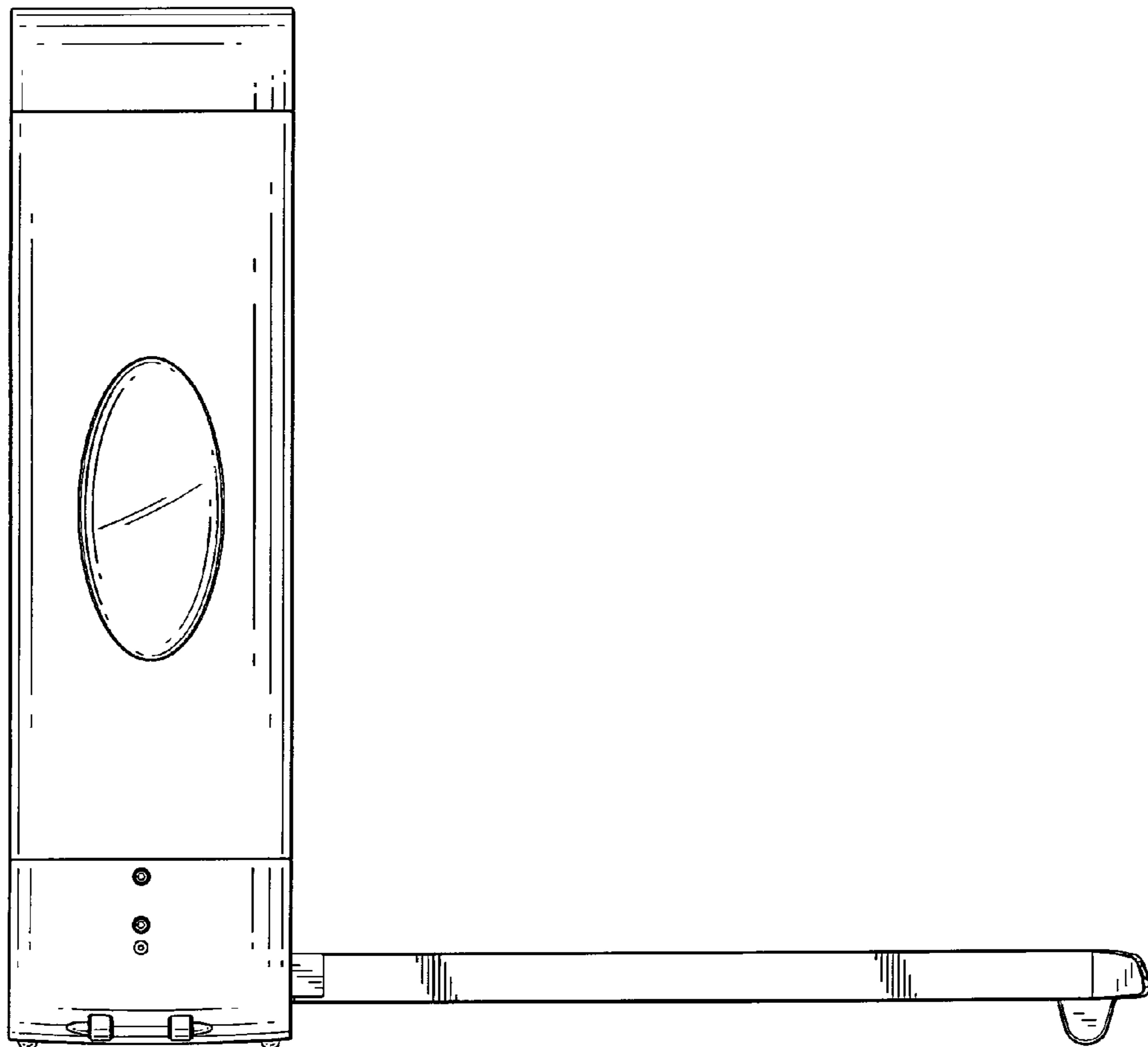


FIG. 3

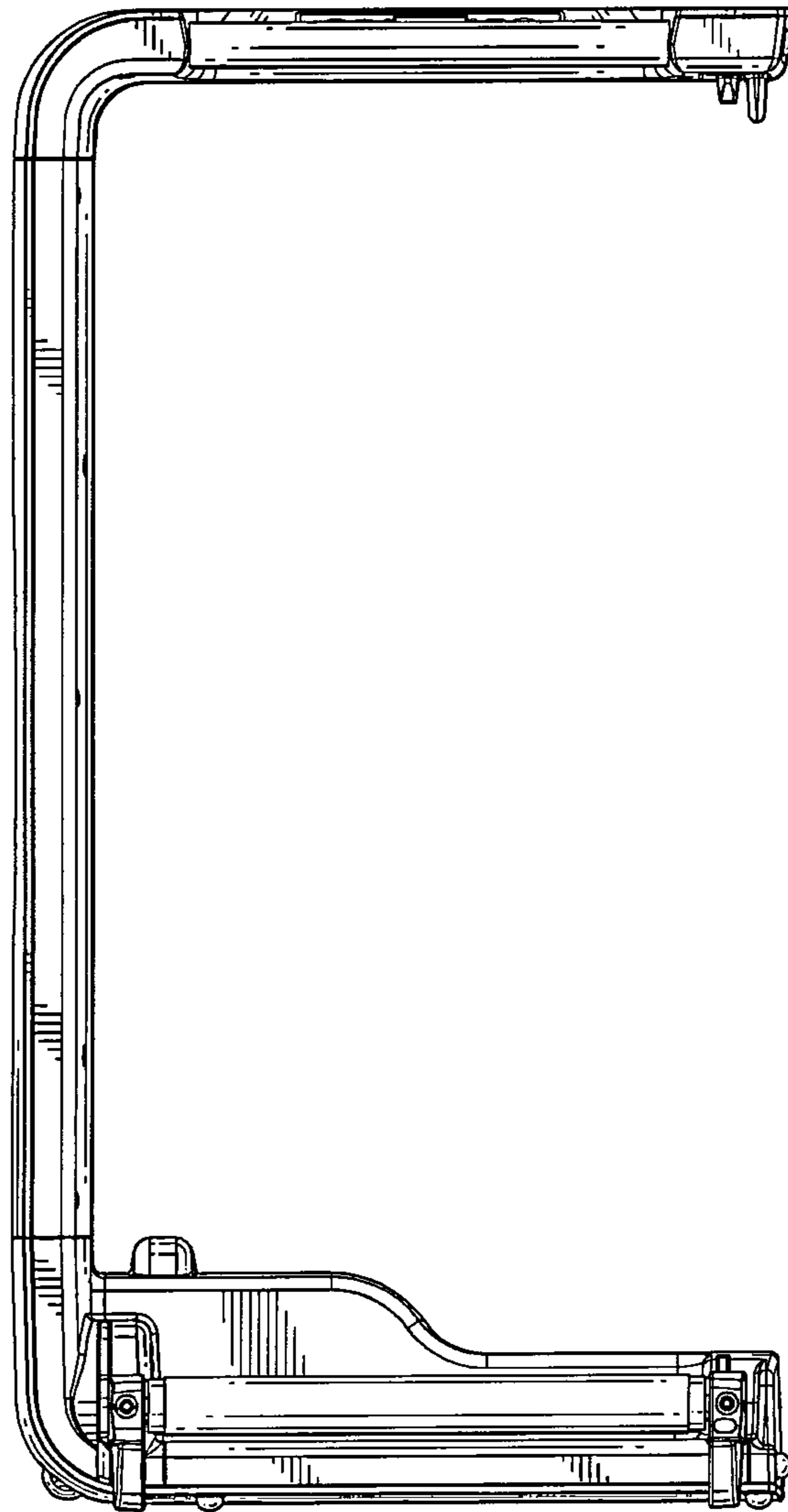


FIG. 4

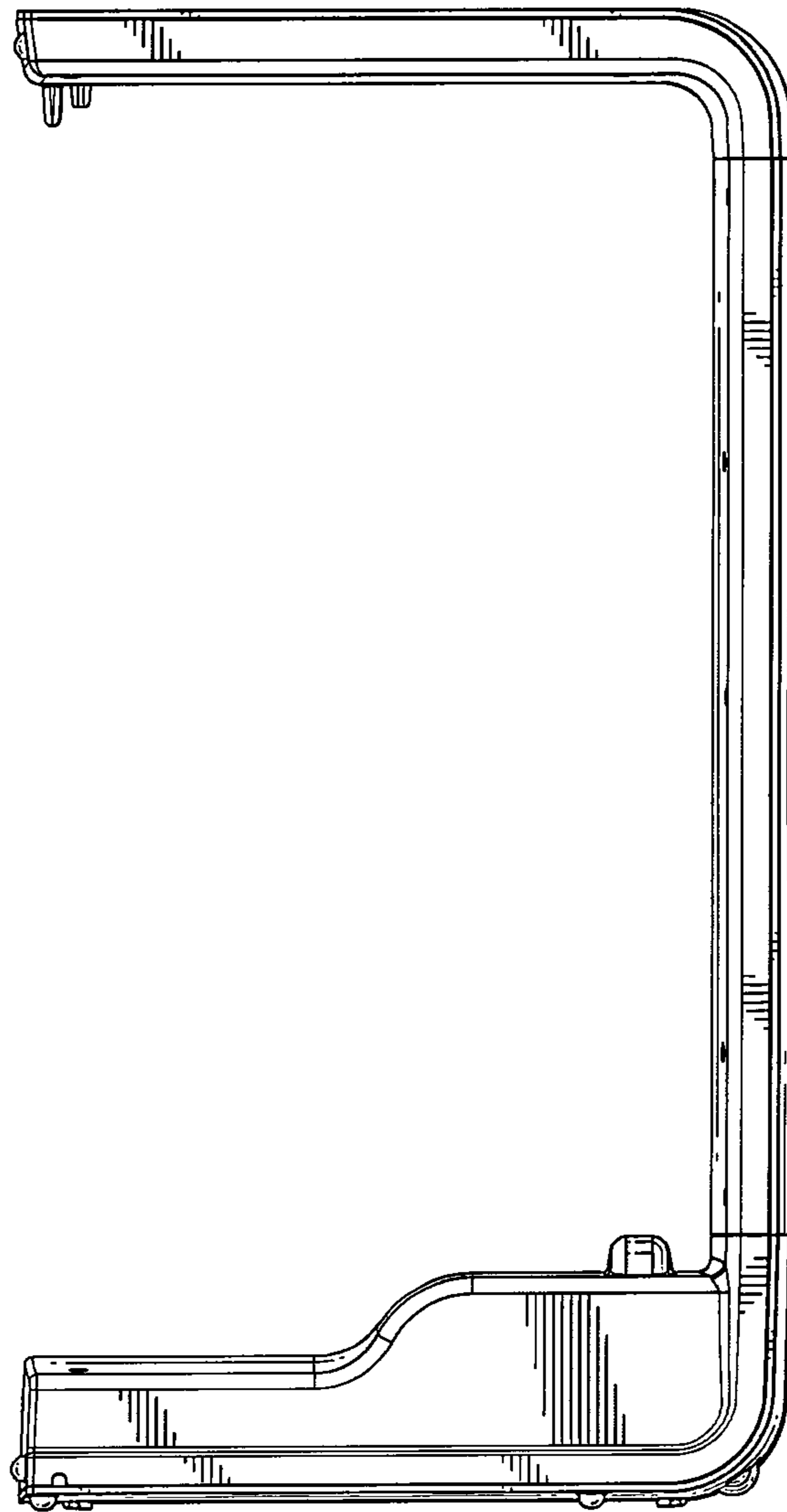


FIG. 5

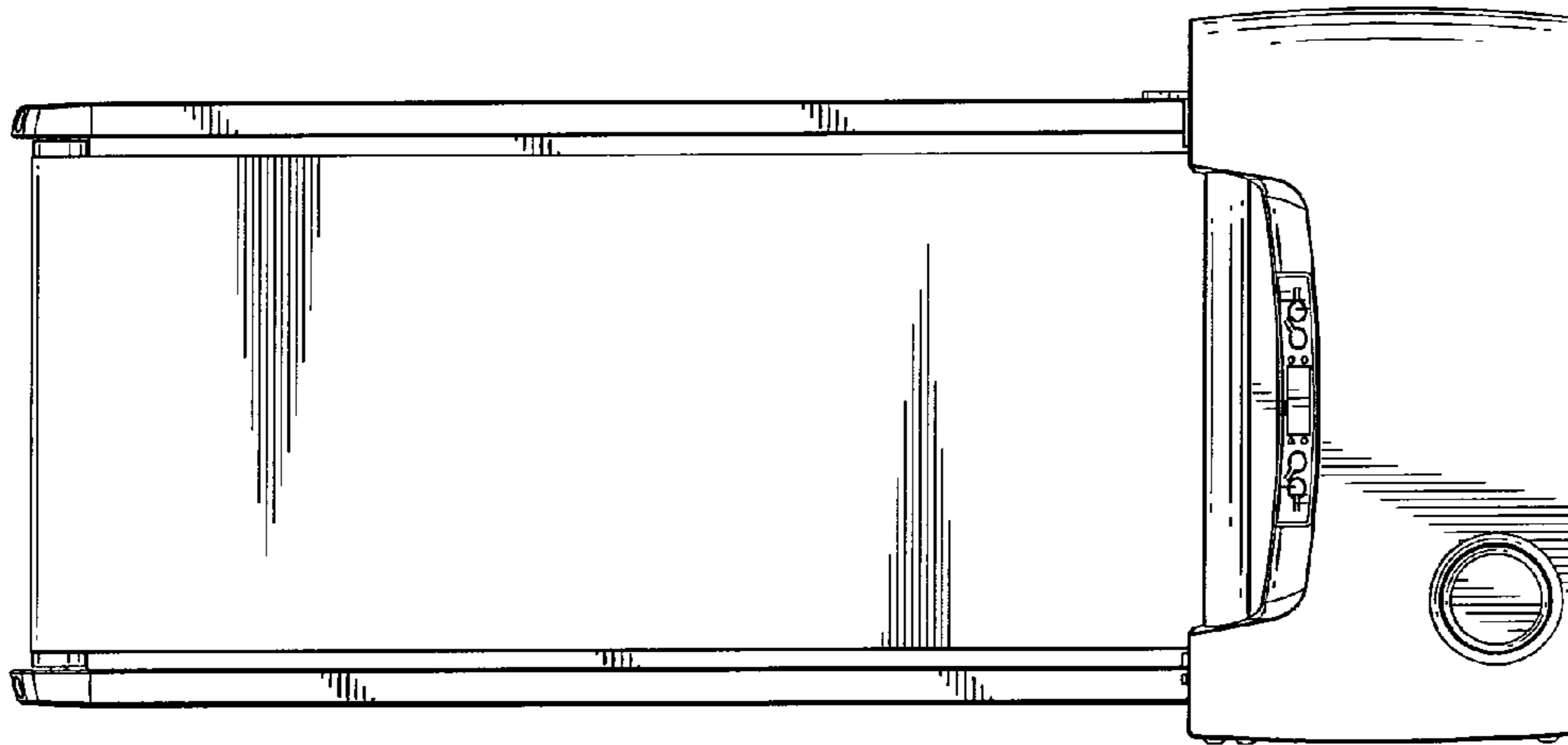


FIG. 6

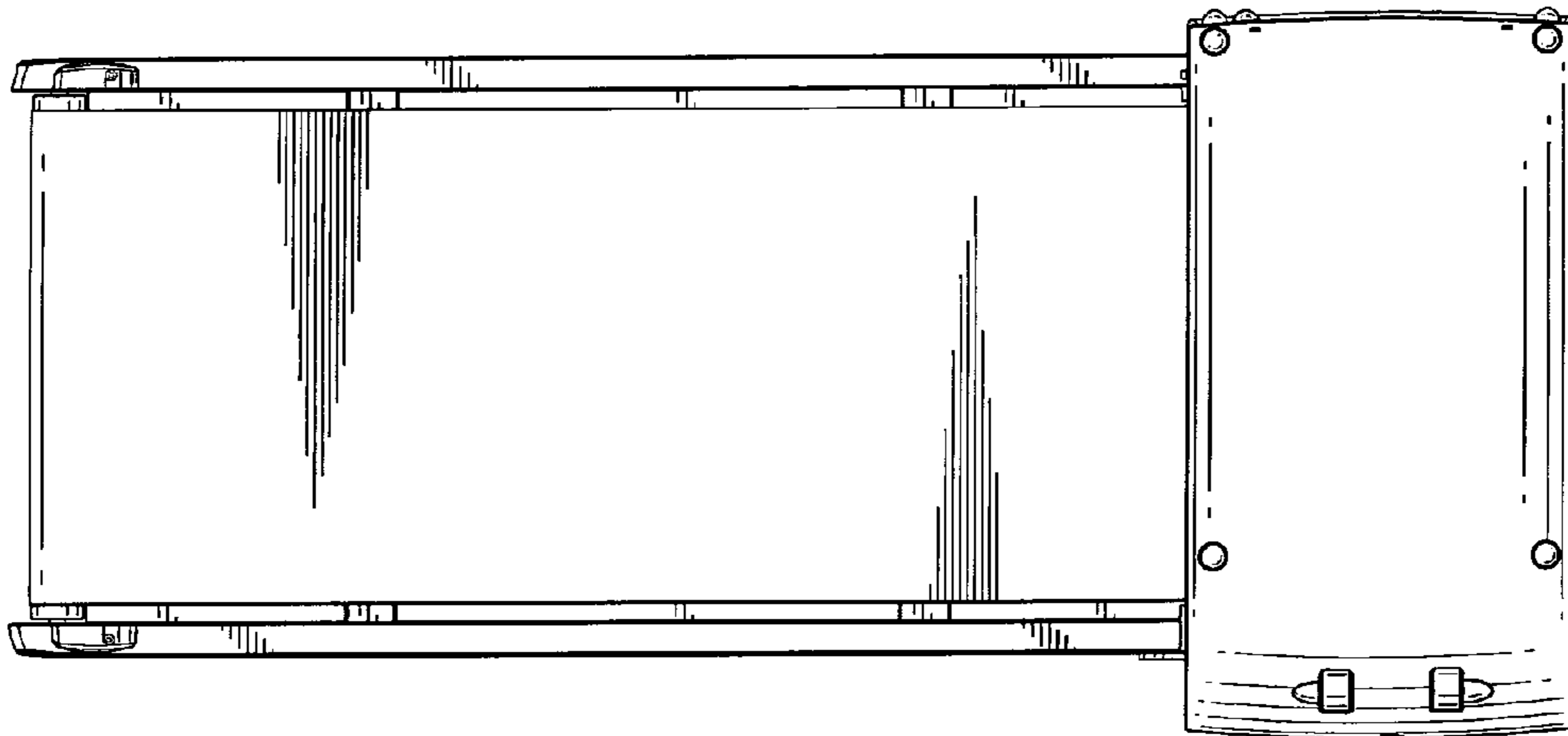


FIG. 7



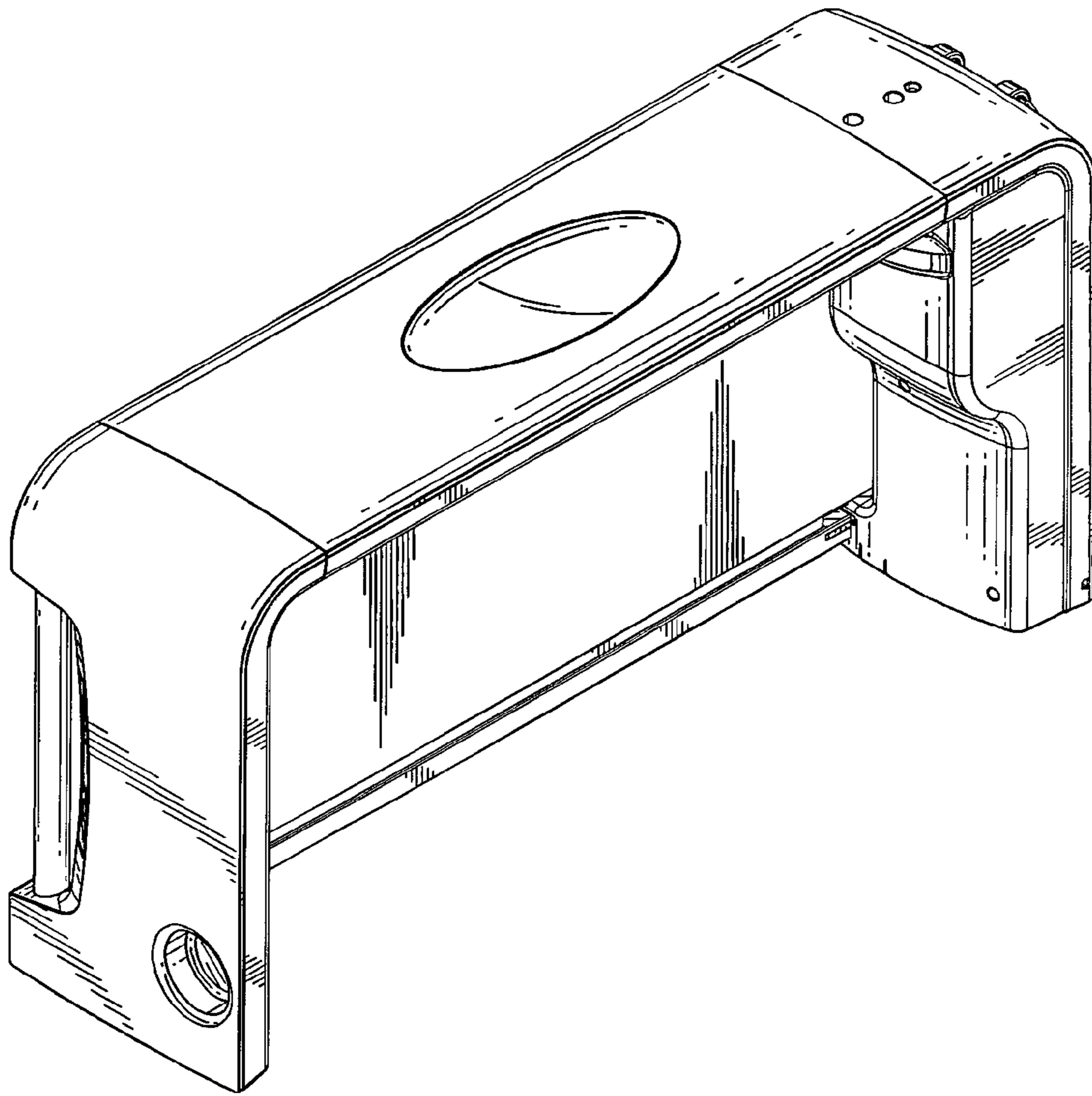


FIG. 8