



US00D683801S

(12) **United States Design Patent**
Kalina

(10) **Patent No.:** **US D683,801 S**
(45) **Date of Patent:** **** Jun. 4, 2013**

(54) **LOWER BACK EXERCISE DEVICE**

(76) Inventor: **Loren Kalina**, Mesa, AZ (US)

(**) Term: **14 Years**

(21) Appl. No.: **29/431,595**

(22) Filed: **Sep. 10, 2012**

(51) **LOC (9) Cl.** **21-02**

(52) **U.S. Cl.**
USPC **D21/662**

(58) **Field of Classification Search**
USPC D21/662, 679, 680, 684, 686, 692,
D21/694; 482/93, 95, 96, 104-110, 120,
482/124, 132, 140-142, 145; D24/188, 200,
D24/211
See application file for complete search history.

(56) **References Cited**

U.S. PATENT DOCUMENTS

2,264,046	A *	11/1941	McClellan	482/145
D183,803	S *	10/1958	McNair	D24/211
D326,913	S *	6/1992	Staples	D24/188
D387,827	S *	12/1997	McCarn et al.	D21/662
5,795,276	A *	8/1998	Almeda	482/142
6,354,983	B1 *	3/2002	Lee	482/132

D480,121	S *	9/2003	Lee	D21/694
6,755,771	B2 *	6/2004	Wallerstein	482/140
7,563,217	B2 *	7/2009	Endelman	482/142
8,033,969	B2 *	10/2011	Feltz	482/142
8,172,737	B1 *	5/2012	Nihlman et al.	482/144
2009/0264265	A1 *	10/2009	Contreras	482/99
2011/0143895	A1 *	6/2011	Tang	482/132

* cited by examiner

Primary Examiner — Susan E Krakower

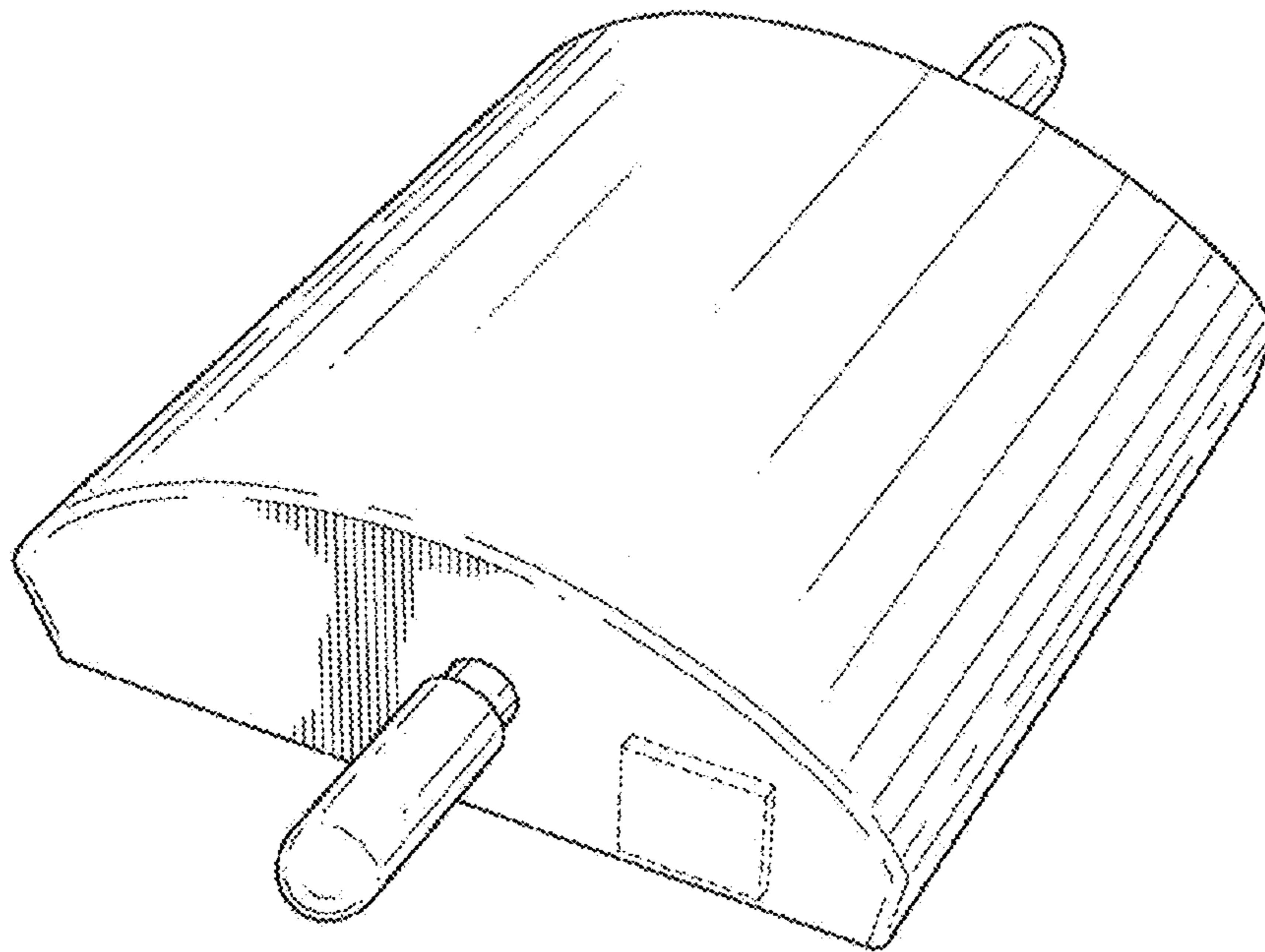
(57) **CLAIM**

The ornamental design for a lower back exercise device, as shown and described.

DESCRIPTION

FIG. 1 is a perspective view, showing my new design;
FIG. 2 is a right-side elevational view;
FIG. 3 is a left-side elevational view;
FIG. 4 is a rear elevational view;
FIG. 5 is a front elevational view;
FIG. 6 is a top plan view;
FIG. 7 is a bottom plan view; and,
FIG. 8 is an alternate perspective view, showing the device in use.
The broken lines illustrate environmental structure and form no part of the claimed design.

1 Claim, 6 Drawing Sheets



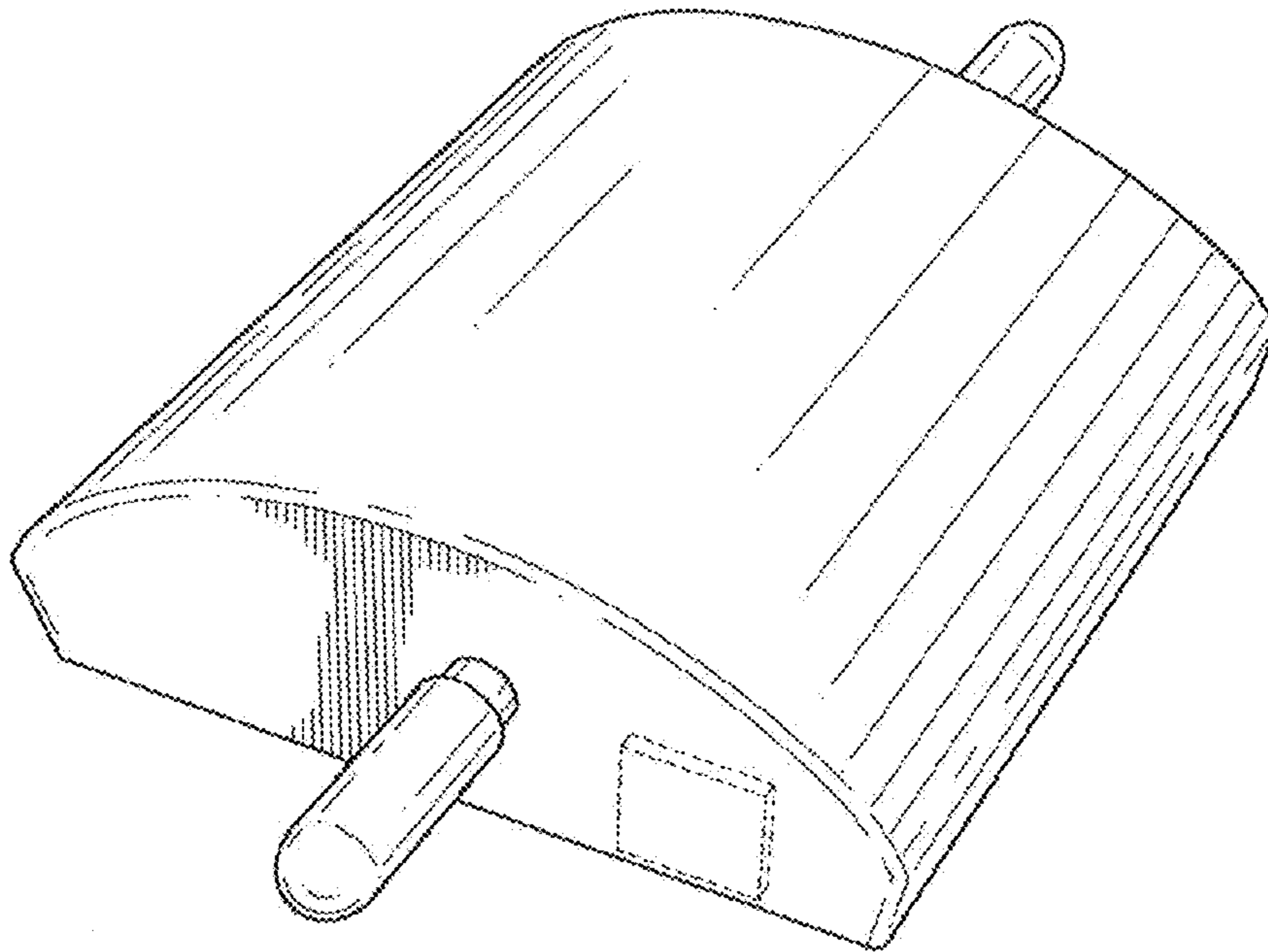


FIG. 1

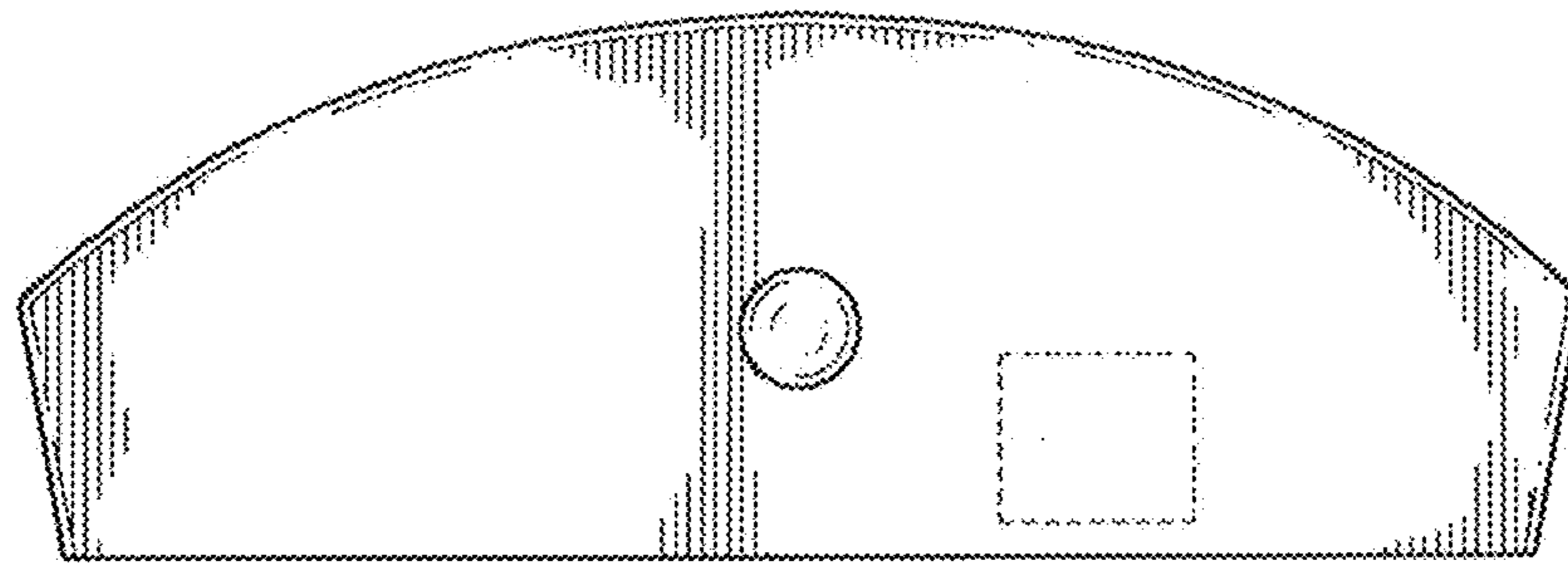


FIG. 2

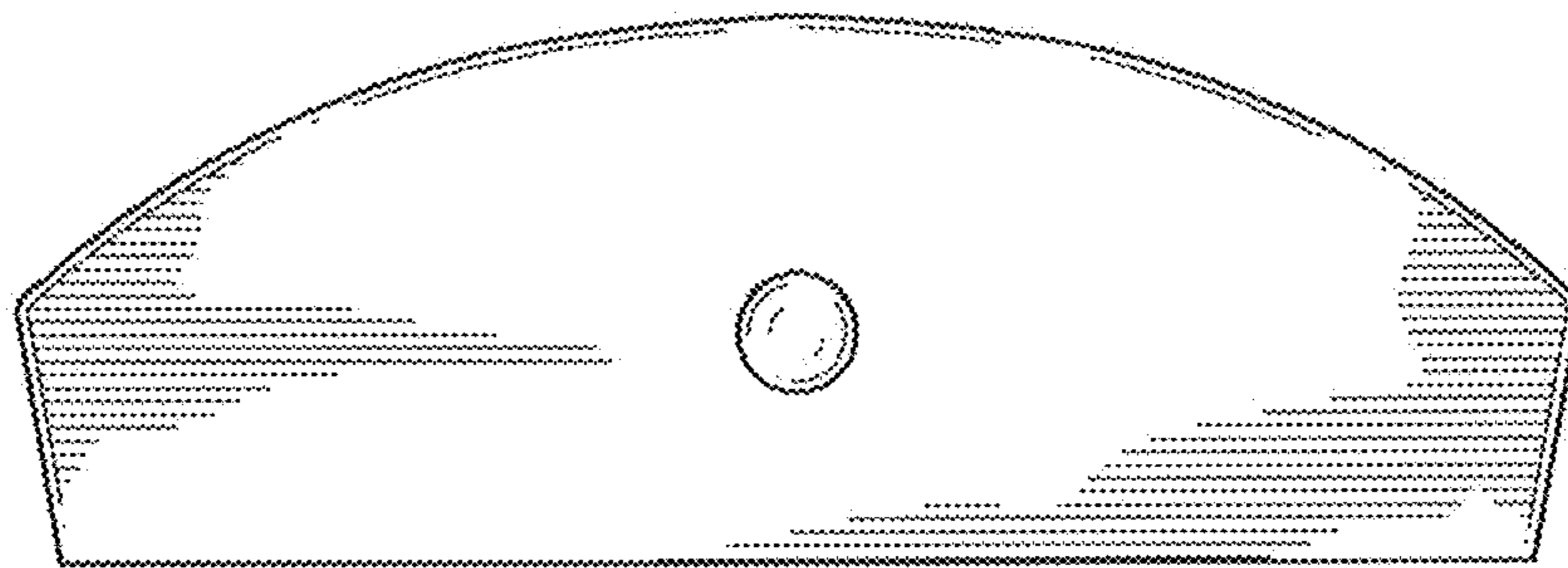


FIG. 3

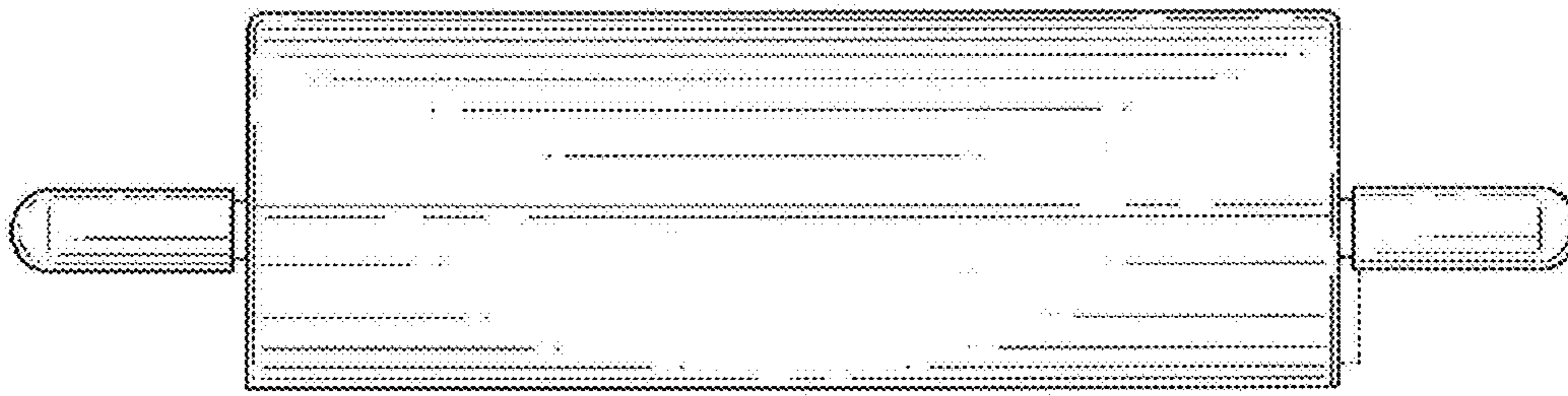


FIG. 4

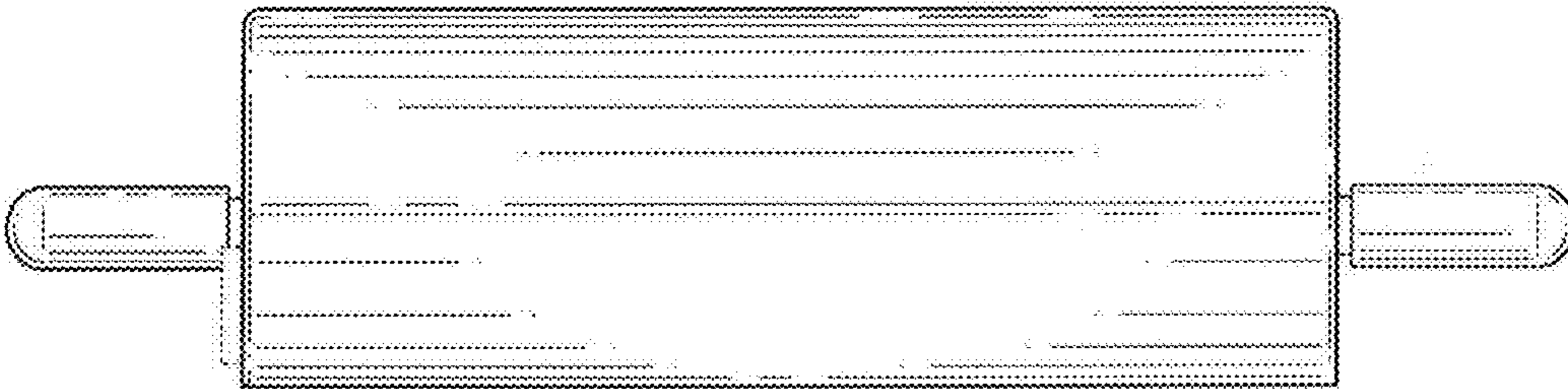


FIG. 5

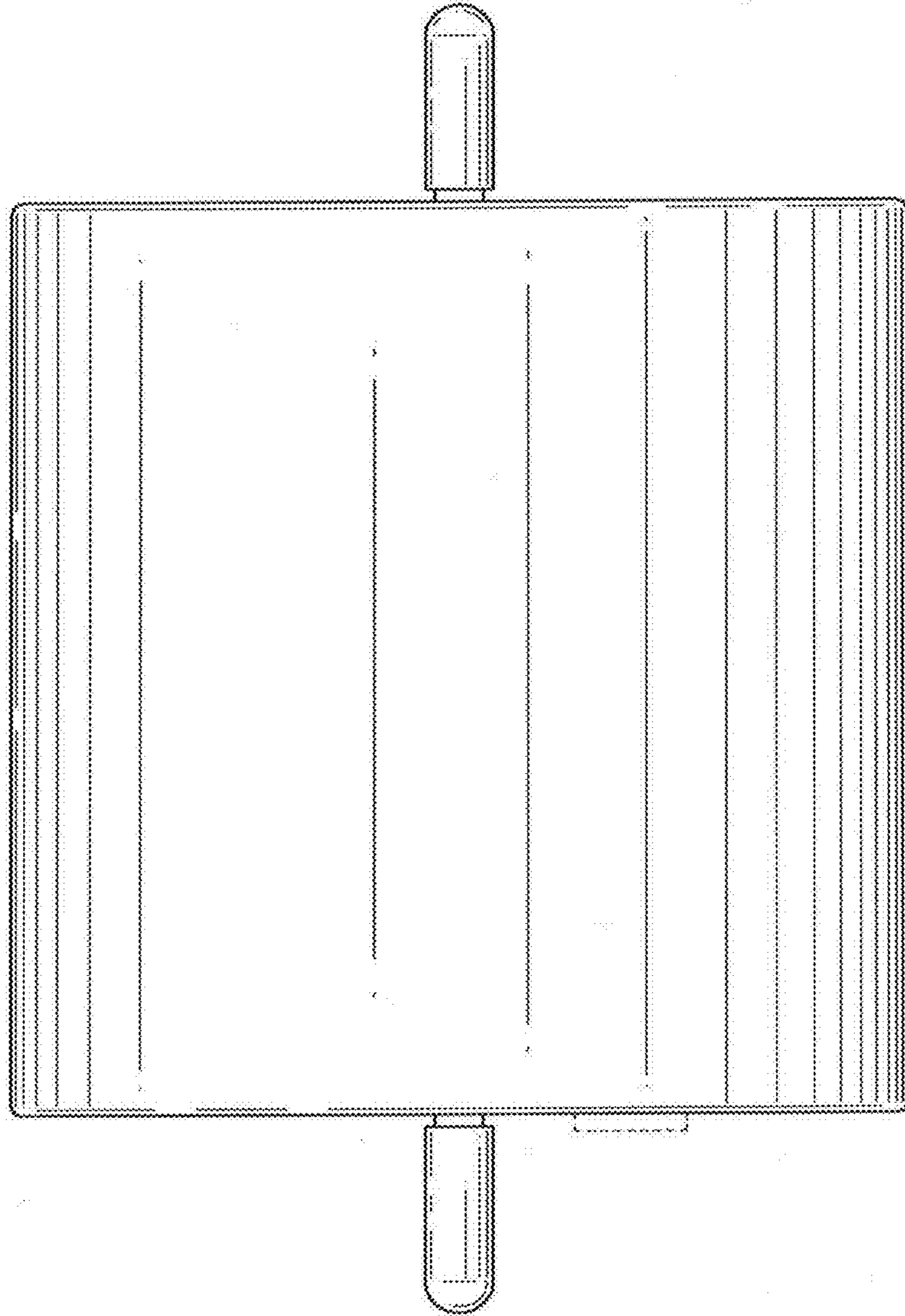


FIG. 6

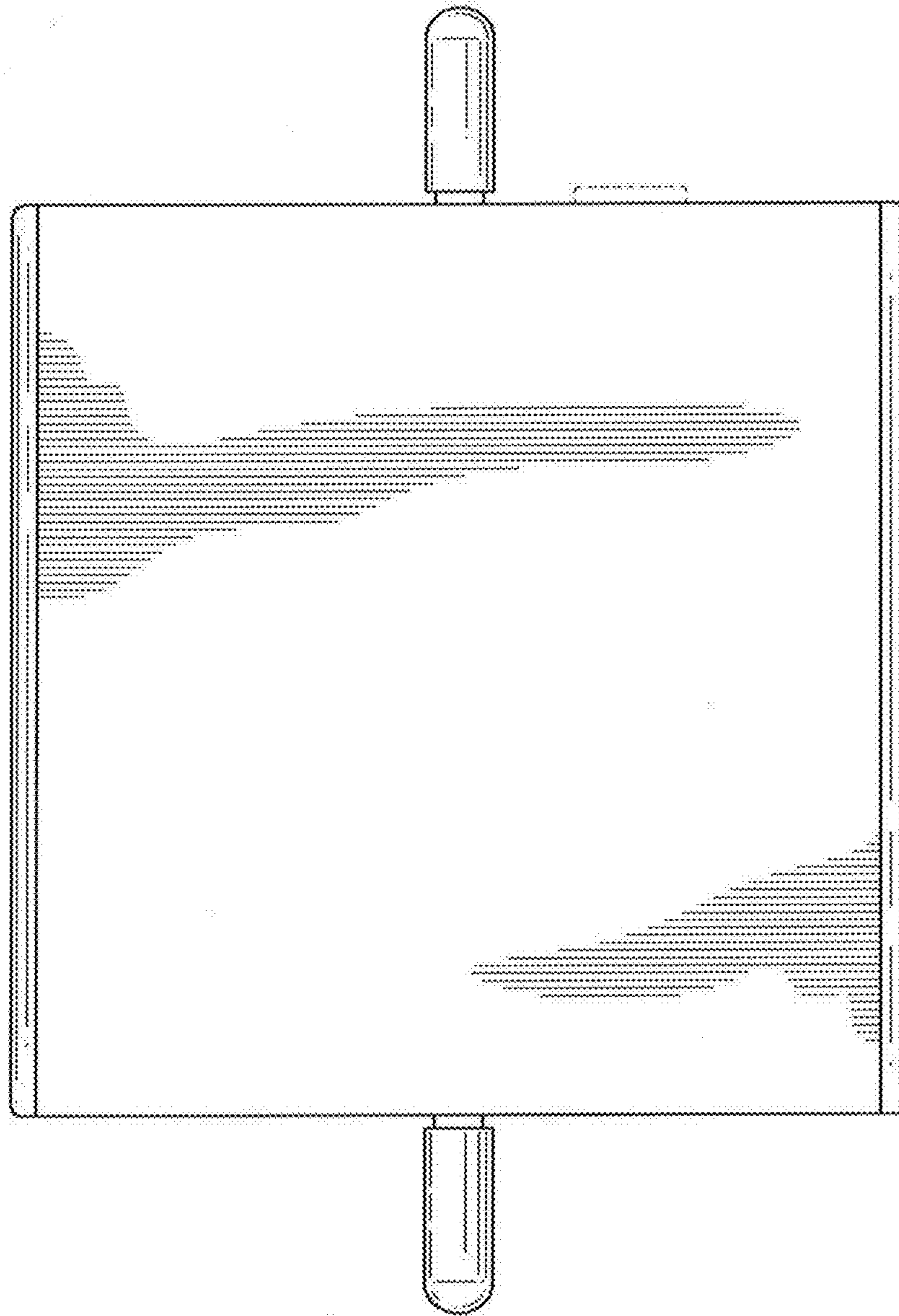


FIG. 7

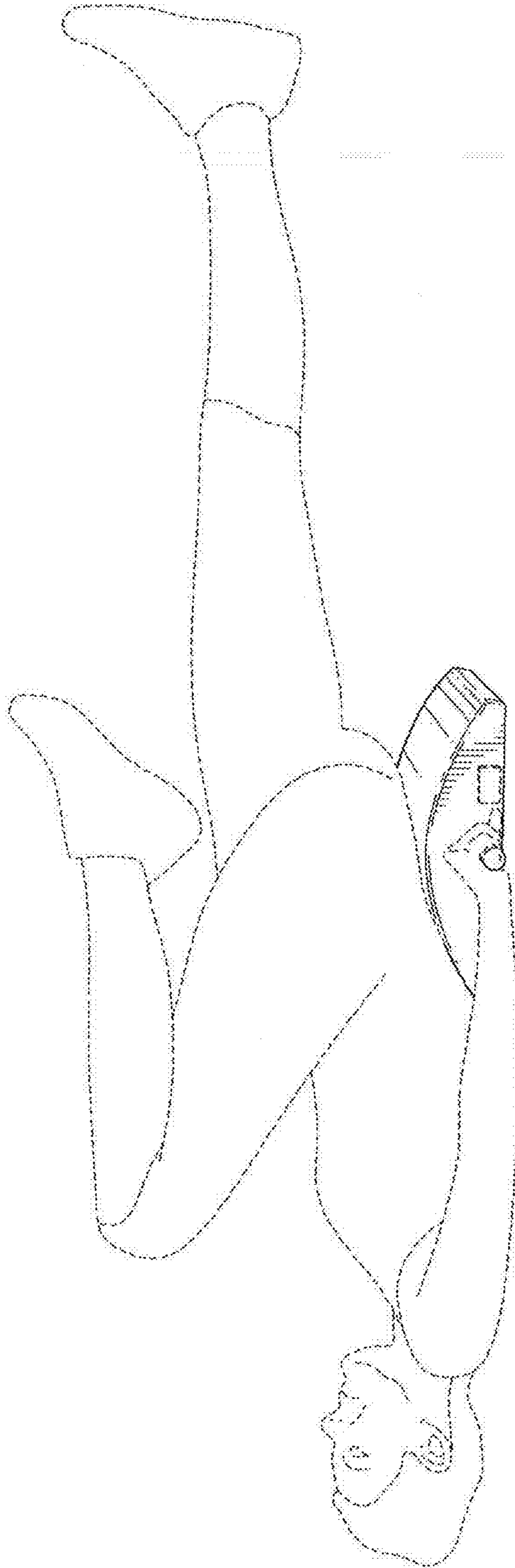


FIG. 8