



US00D683798S

(12) **United States Design Patent**  
**Goldman**

(10) **Patent No.:** **US D683,798 S**

(45) **Date of Patent:** **\*\* Jun. 4, 2013**

(54) **MANIPULATIVE TOY**

(76) **Inventor:** **Igor Goldman**, Montgomery Village,  
MD (US)

(\*\*) **Term:** **14 Years**

(21) **Appl. No.:** **29/394,010**

(22) **Filed:** **Jun. 12, 2011**

(51) **LOC (9) Cl.** ..... **21-01**

(52) **U.S. Cl.**  
USPC ..... **D21/468**; D21/455; D21/398

(58) **Field of Classification Search**

USPC ..... D21/324, 333, 386, 387, 398, 401,  
D21/404, 405, 406, 411, 436-464, 468,  
475-479, 483, 484, 488-495, 503, 561, 563,  
D21/566; D30/160; 446/46-48, 69, 71, 75,  
446/77, 78, 81, 85-87, 102, 107, 117, 119,  
446/122, 137, 129, 153, 183, 184, 188,  
219-228, 236-266, 267, 418, 419, 486, 487,  
446/489, 490; 473/569-571, 575, 576, 587-589  
See application file for complete search history.

(56) **References Cited**

**U.S. PATENT DOCUMENTS**

D120,840 S \* 5/1940 Singer ..... D21/387  
D137,980 S \* 5/1944 Hoffman ..... D21/455  
D217,976 S \* 7/1970 Wilson ..... D21/443  
3,742,643 A \* 7/1973 Keith ..... 446/46

3,959,917 A \* 6/1976 Dawson ..... 446/37  
4,008,542 A \* 2/1977 Schneider ..... 446/411  
4,090,324 A \* 5/1978 Compton ..... 446/267  
4,337,593 A \* 7/1982 McAllister ..... 446/236  
D305,344 S \* 1/1990 Stanzel ..... D21/444  
4,982,954 A \* 1/1991 Lazar ..... 482/2  
D526,029 S \* 8/2006 Ragonetti et al. .... D21/444  
D550,783 S \* 9/2007 Glickman ..... D21/488  
D603,457 S \* 11/2009 Julskjer et al. .... D21/324

**FOREIGN PATENT DOCUMENTS**

CN 300687816 \* 9/2007

\* cited by examiner

*Primary Examiner* — Catherine Tuttle

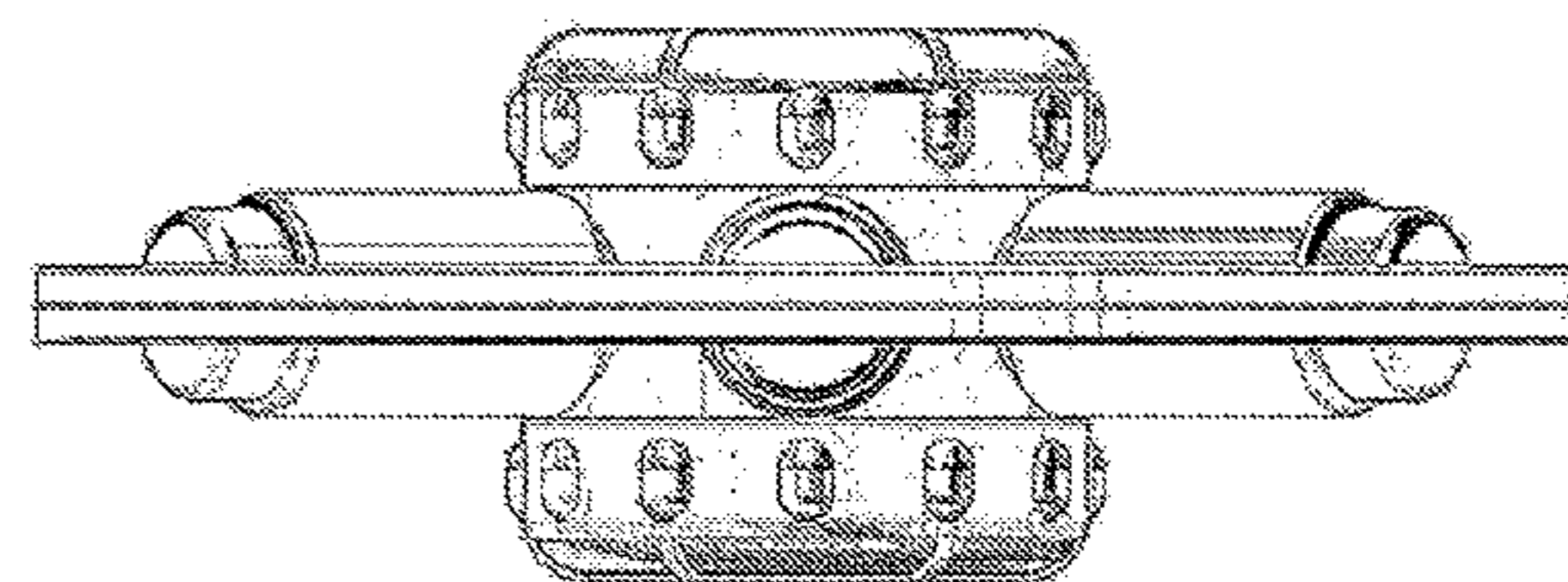
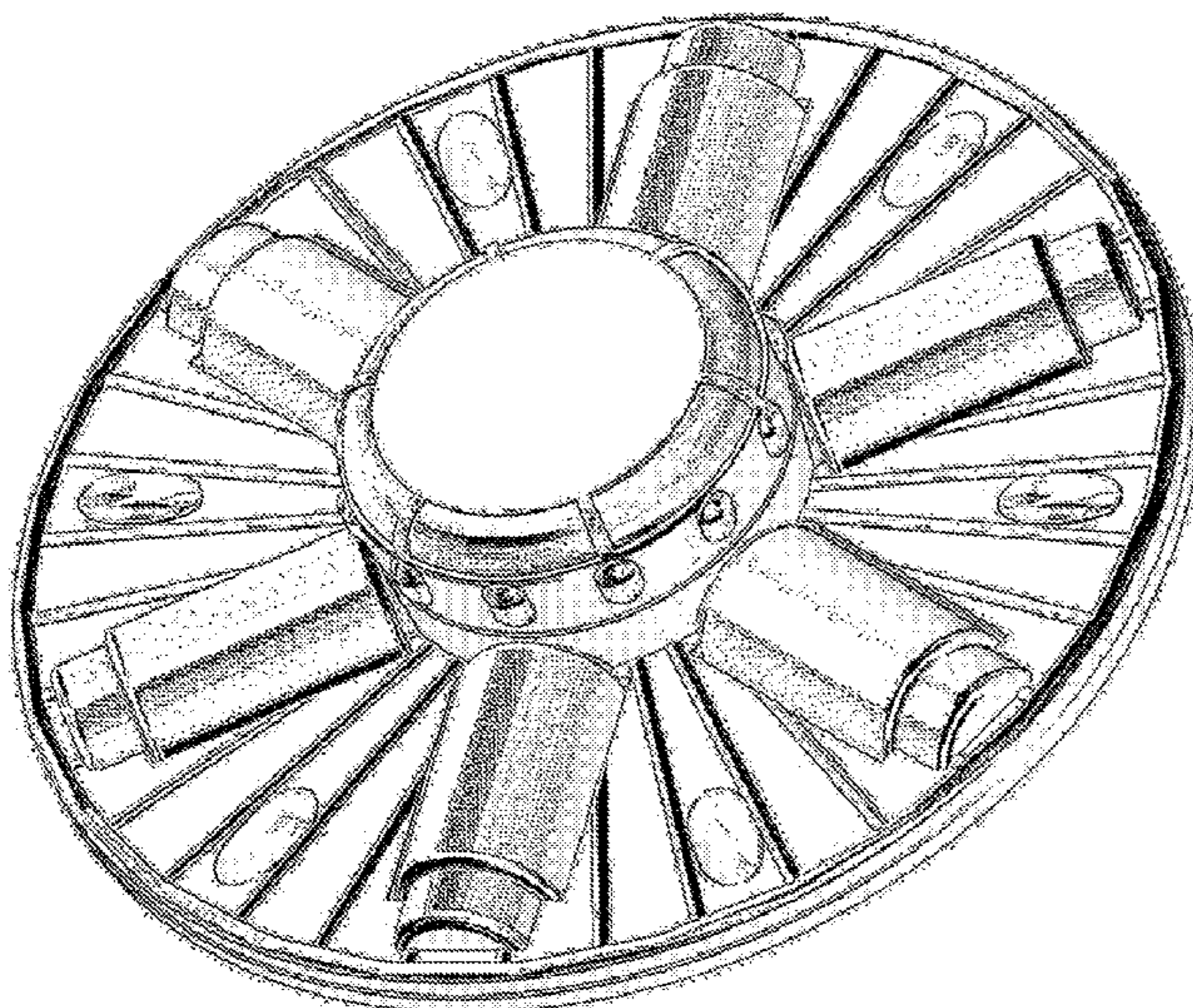
(57) **CLAIM**

The ornamental design for a manipulative toy, as shown and described.

**DESCRIPTION**

FIG. 1 is a top perspective view of the manipulative toy;  
FIG. 2 is a top plan view thereof;  
FIG. 3 is a front elevational view thereof, the rear side being  
a mirror image;  
FIG. 4 is a right side elevational view thereof, the left side  
being a mirror image; and,  
FIG. 5 is a bottom perspective view thereof.

**1 Claim, 3 Drawing Sheets**



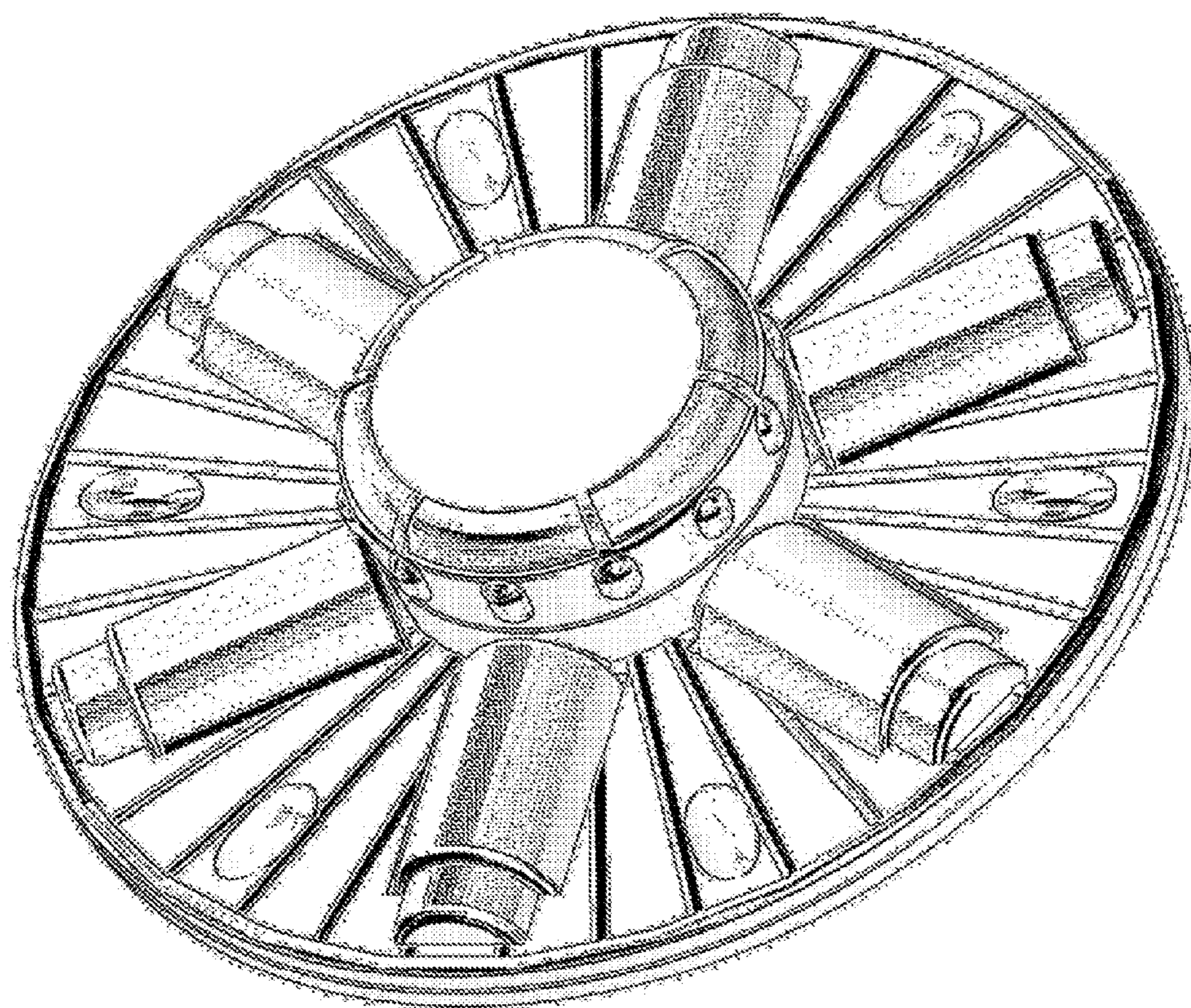


FIG. 1

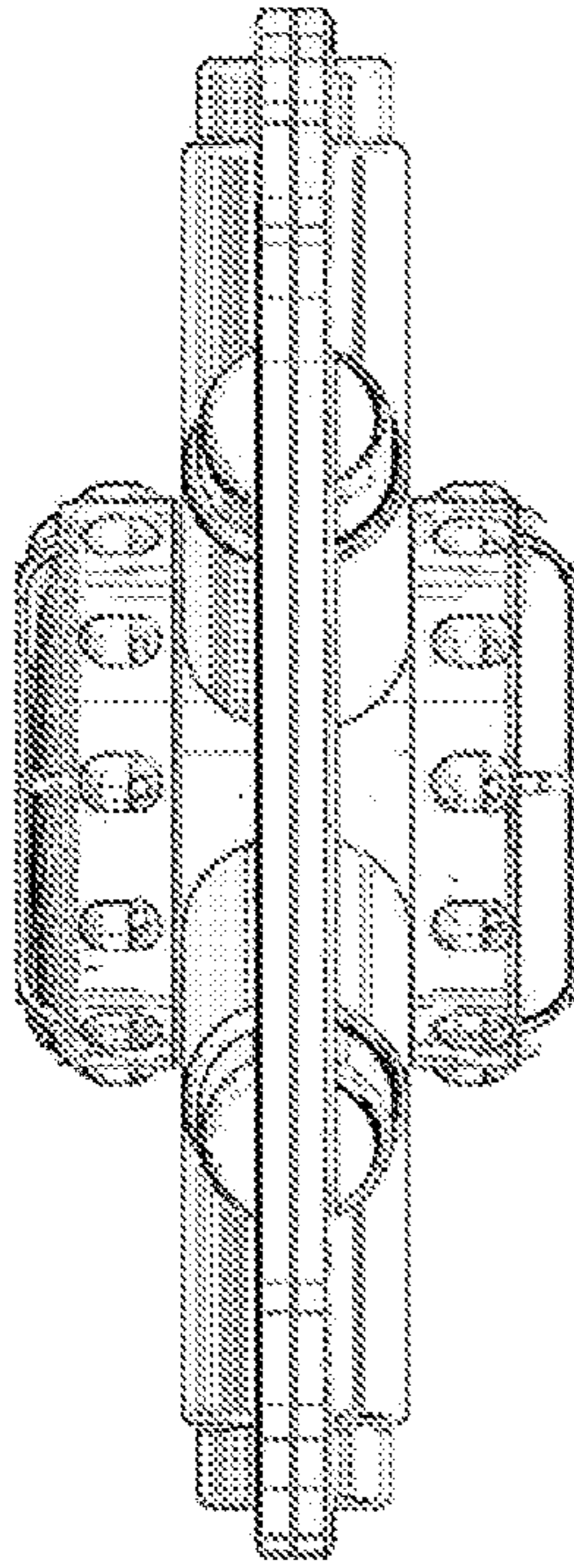


FIG. 3

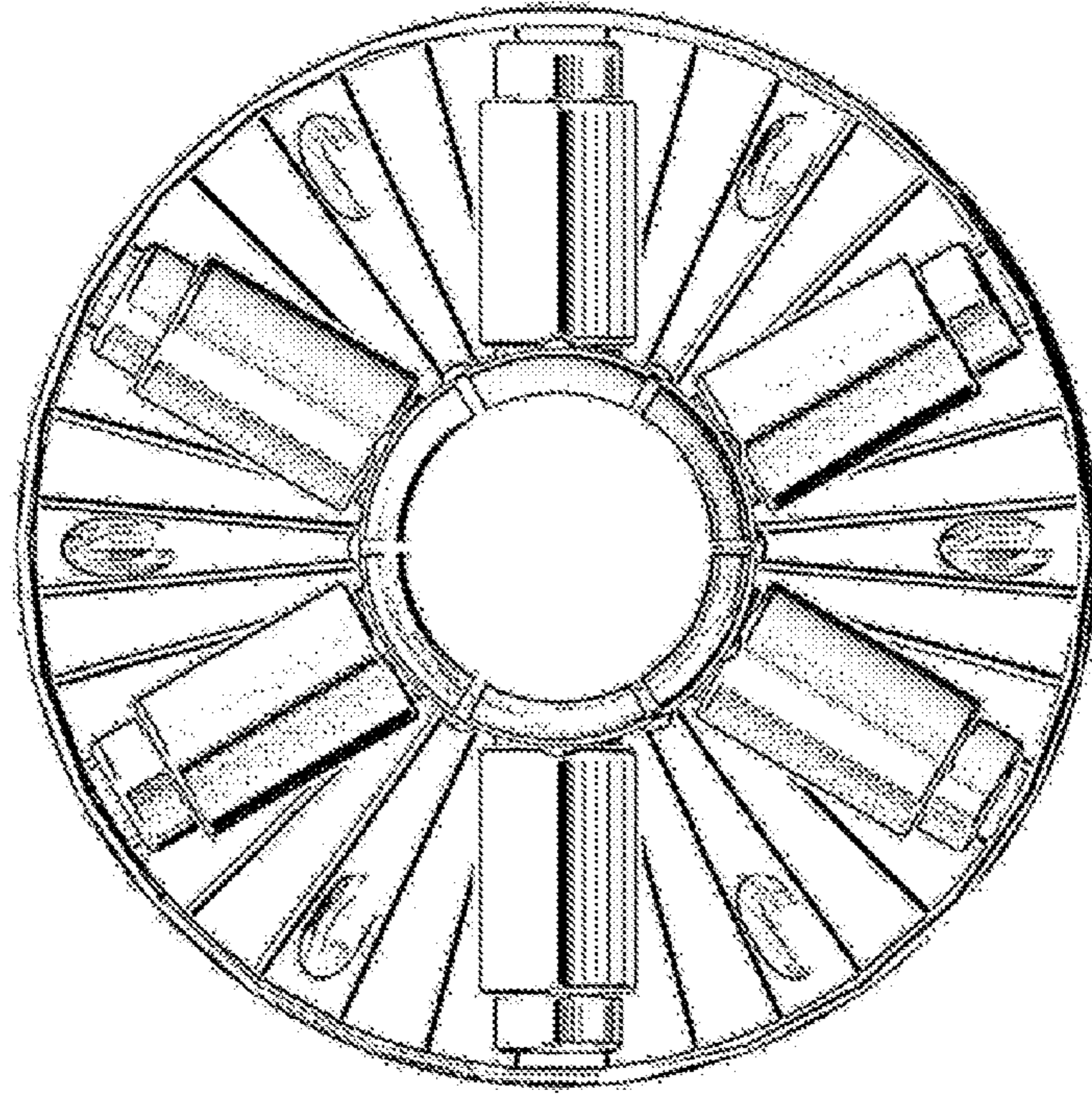


FIG. 2

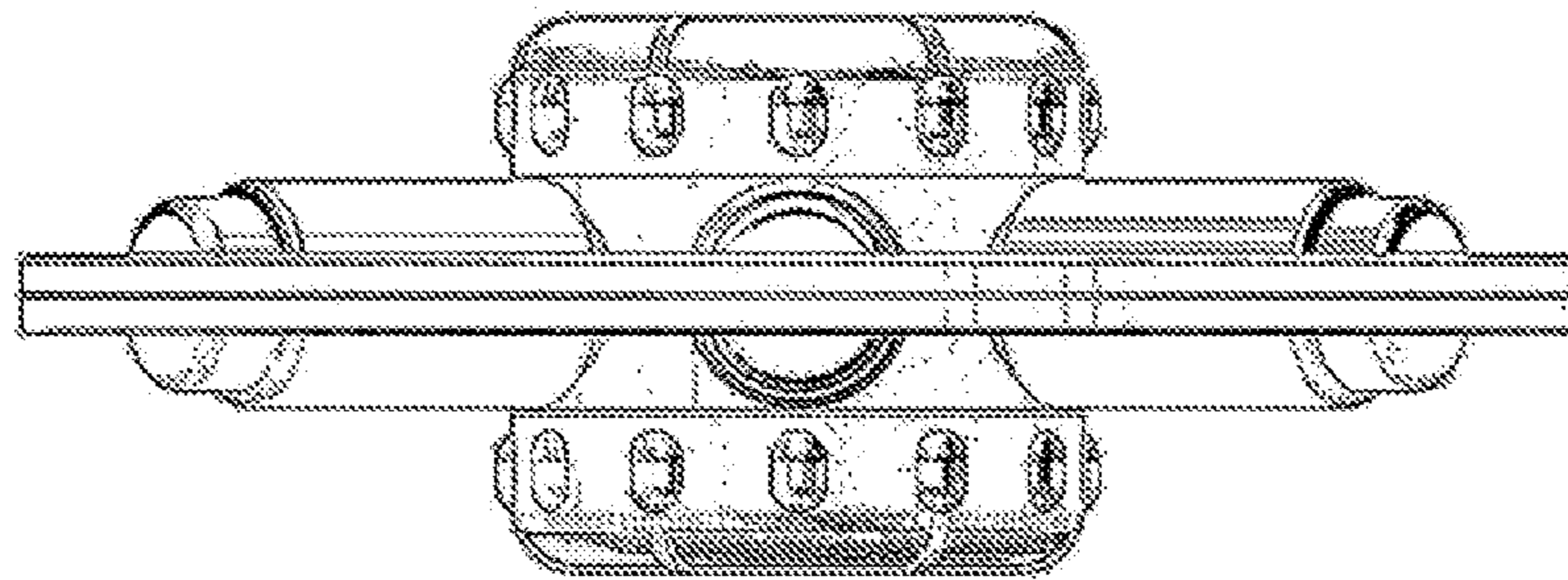


FIG. 4

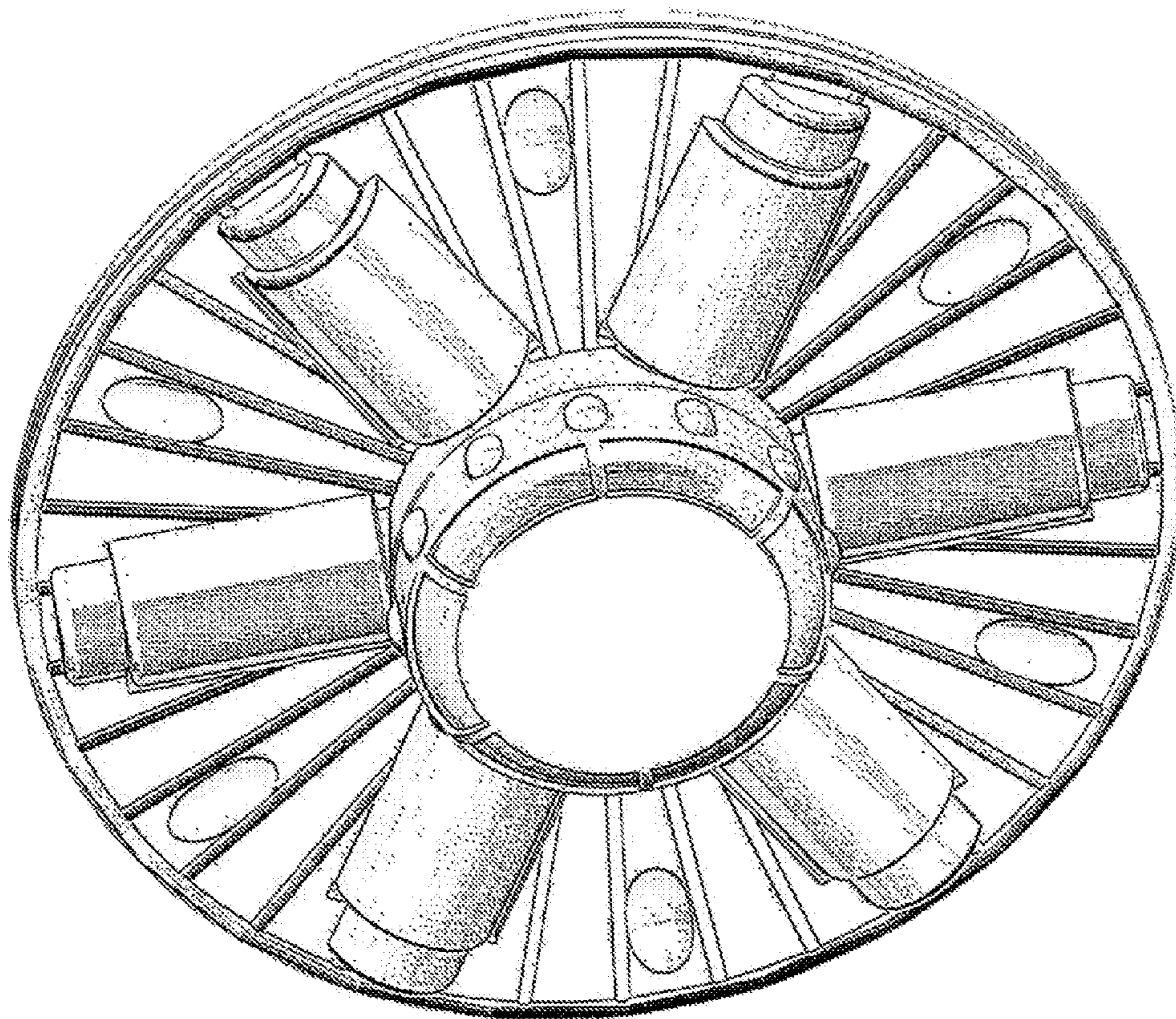


FIG. 5