



US00D683797S

(12) **United States Design Patent**
Sjodin

(10) **Patent No.:** **US D683,797 S**
(45) **Date of Patent:** **** Jun. 4, 2013**

(54) **BEADING OF A LABEL HOLDER**

(75) Inventor: **Håkan Sjodin**, Knivsta (SE)

(73) Assignee: **Pricer AB**, Sollentuna (SE)

(**) Term: **14 Years**

(21) Appl. No.: **29/402,263**

(22) Filed: **Sep. 22, 2011**

(30) **Foreign Application Priority Data**

Mar. 24, 2011	(EM)	001840588-0001
Mar. 24, 2011	(EM)	001840588-0002
Mar. 24, 2011	(EM)	001840588-0003
Mar. 24, 2011	(EM)	001840588-0004
Mar. 24, 2011	(EM)	001840588-0005
Mar. 24, 2011	(EM)	001840588-0006

(51) **LOC (9) Cl.** **20-03**

(52) **U.S. Cl.**
USPC **D20/44**

(58) **Field of Classification Search**
USPC D20/22, 27, 42, 44; 211/50; 40/124.05,
40/124.01, 661.03; 248/205.1
See application file for complete search history.

(56) **References Cited**

U.S. PATENT DOCUMENTS

D485,582	S	*	1/2004	Valiulis	D20/44
D510,602	S	*	10/2005	Wasilko	D20/44
D512,104	S	*	11/2005	Lowry	D20/44
2004/0237369	A1	*	12/2004	Andersson	40/661.03

* cited by examiner

Primary Examiner — Doris Clark

(74) *Attorney, Agent, or Firm* — Panitch Schwarze Belisario & Nadel LLP

(57) **CLAIM**

The ornamental design for beading of a label holder, as shown and described.

DESCRIPTION

FIG. 1 is a perspective view of beading of a label holder in accordance with a third preferred embodiment of my new design;

FIG. 2 is a top plan view thereof;

FIG. 3 is a bottom plan view thereof;

FIG. 4 is a right side elevational view thereof;

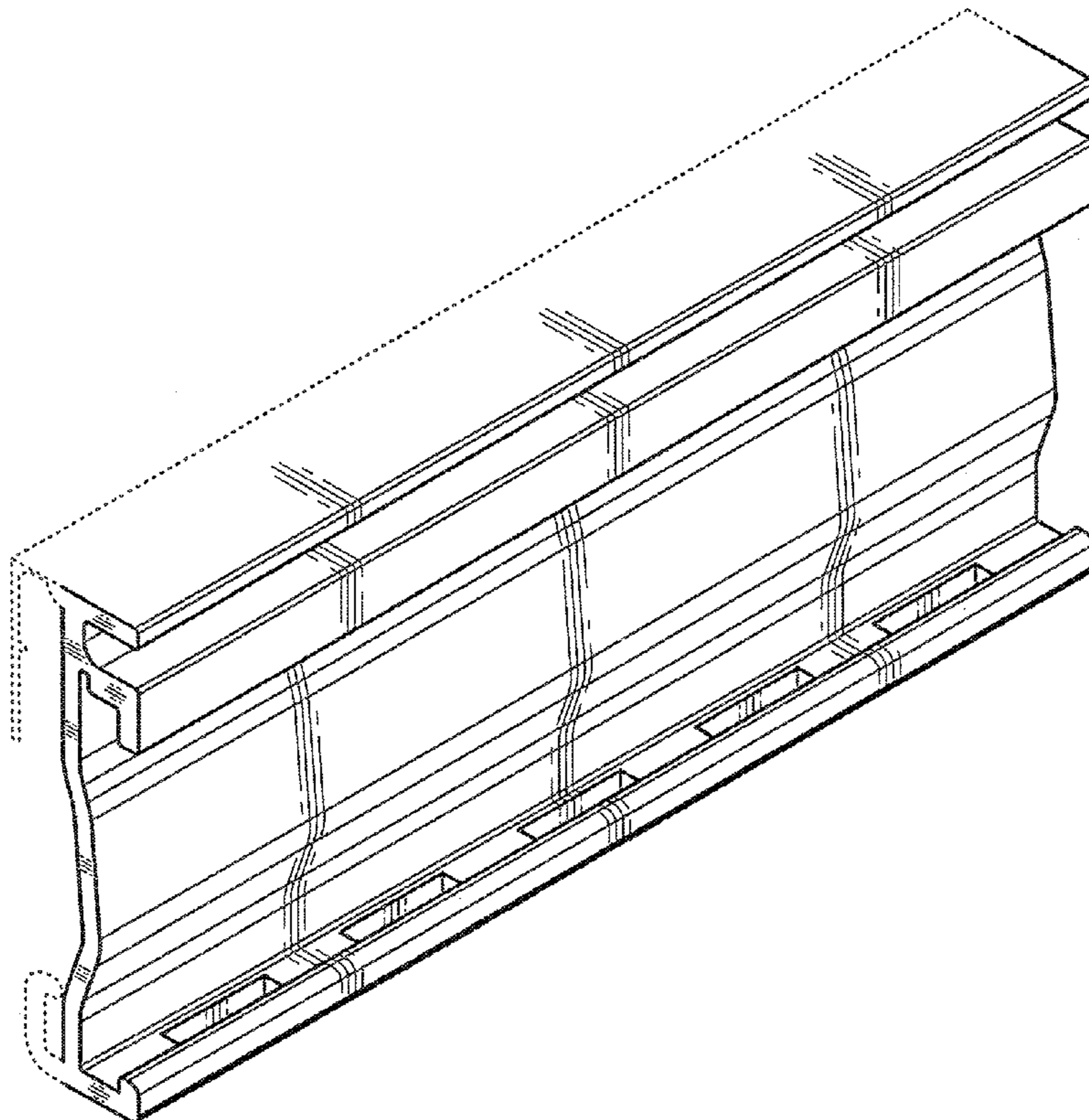
FIG. 5 is a left side elevational view thereof;

FIG. 6 is a front elevational view thereof; and,

FIG. 7 is a rear elevational view thereof.

The broken lines in the figures are for illustrative purposes only and form no part of the claimed design.

1 Claim, 3 Drawing Sheets



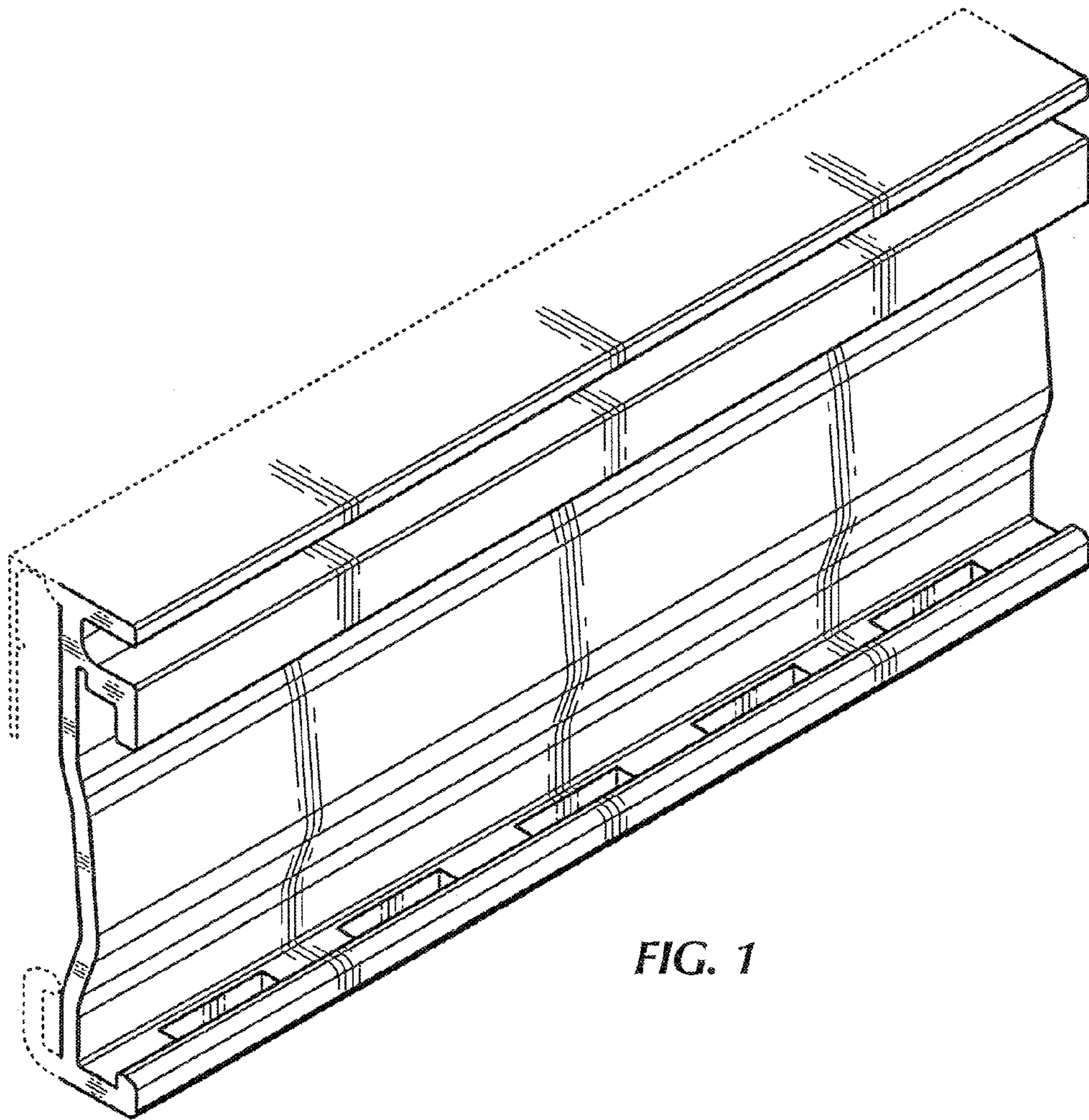


FIG. 1

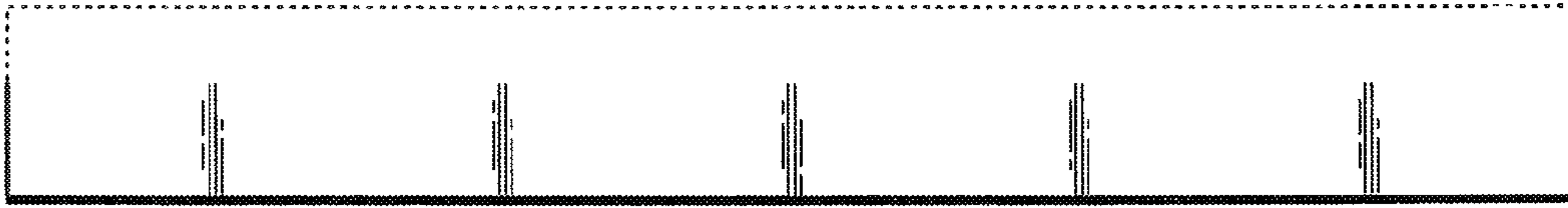


FIG. 2

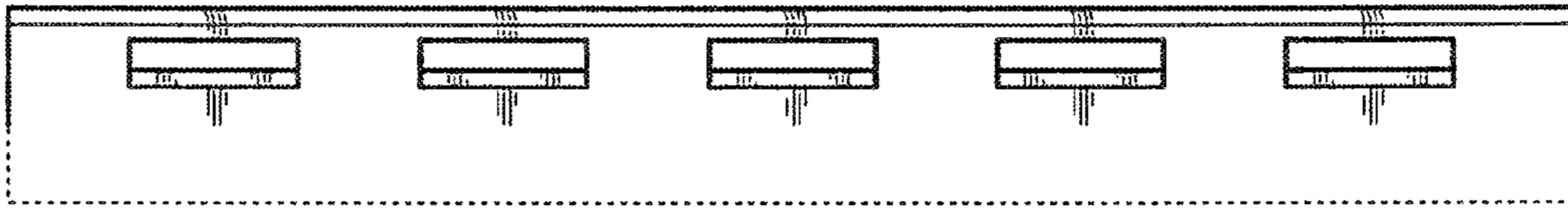


FIG. 3

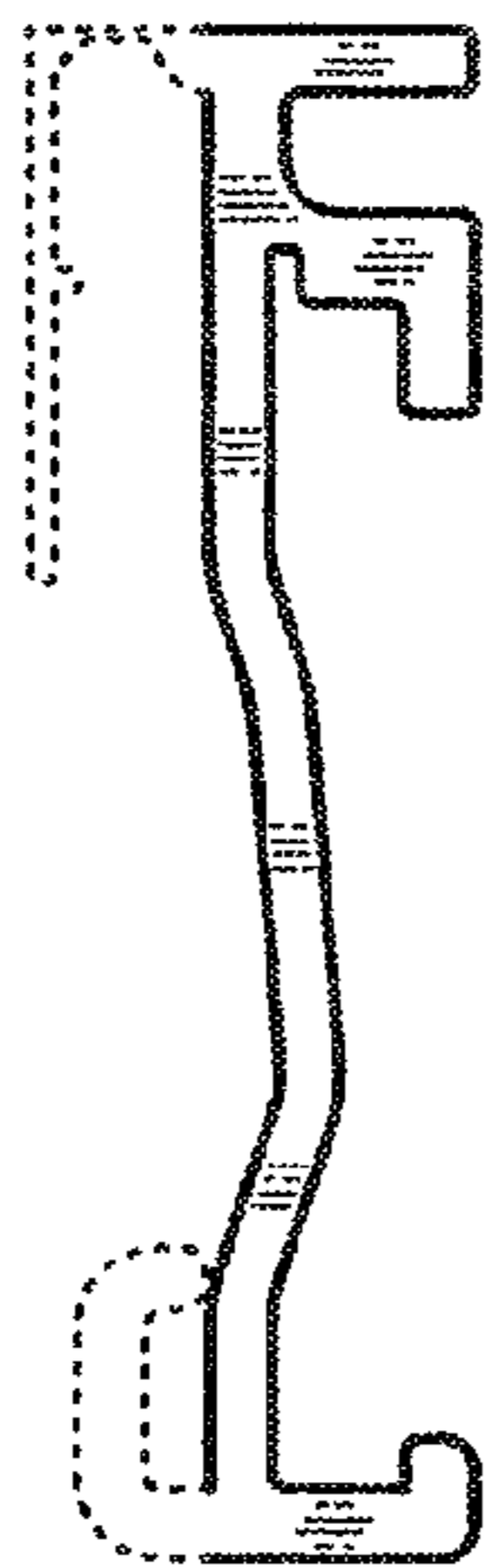


FIG. 4

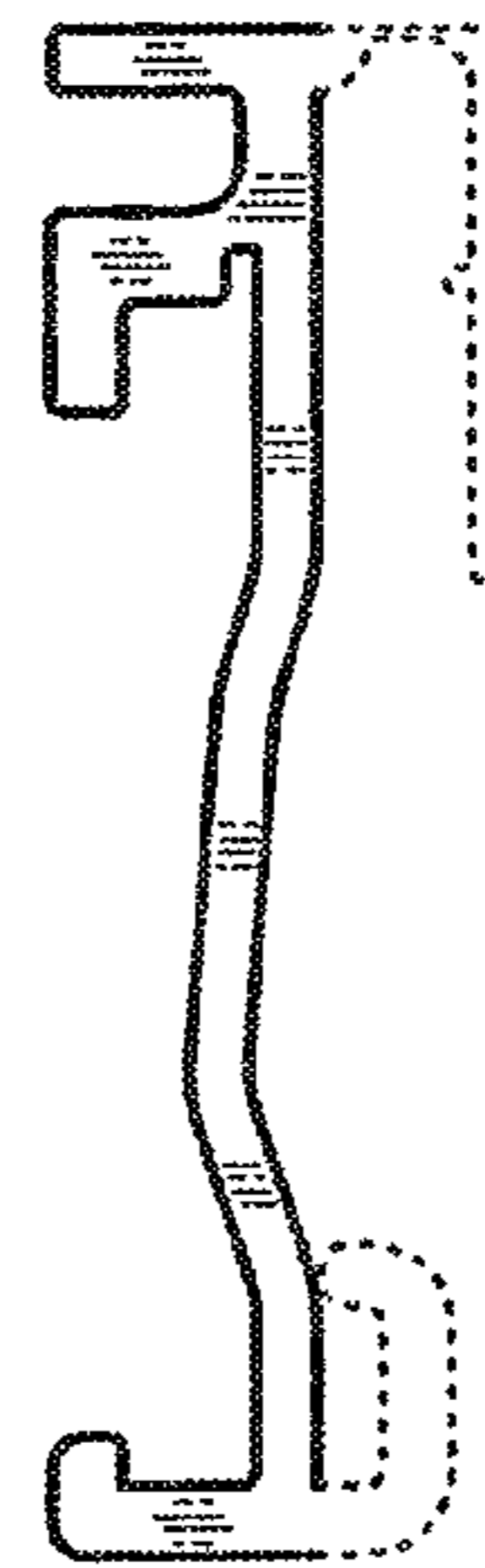


FIG. 5

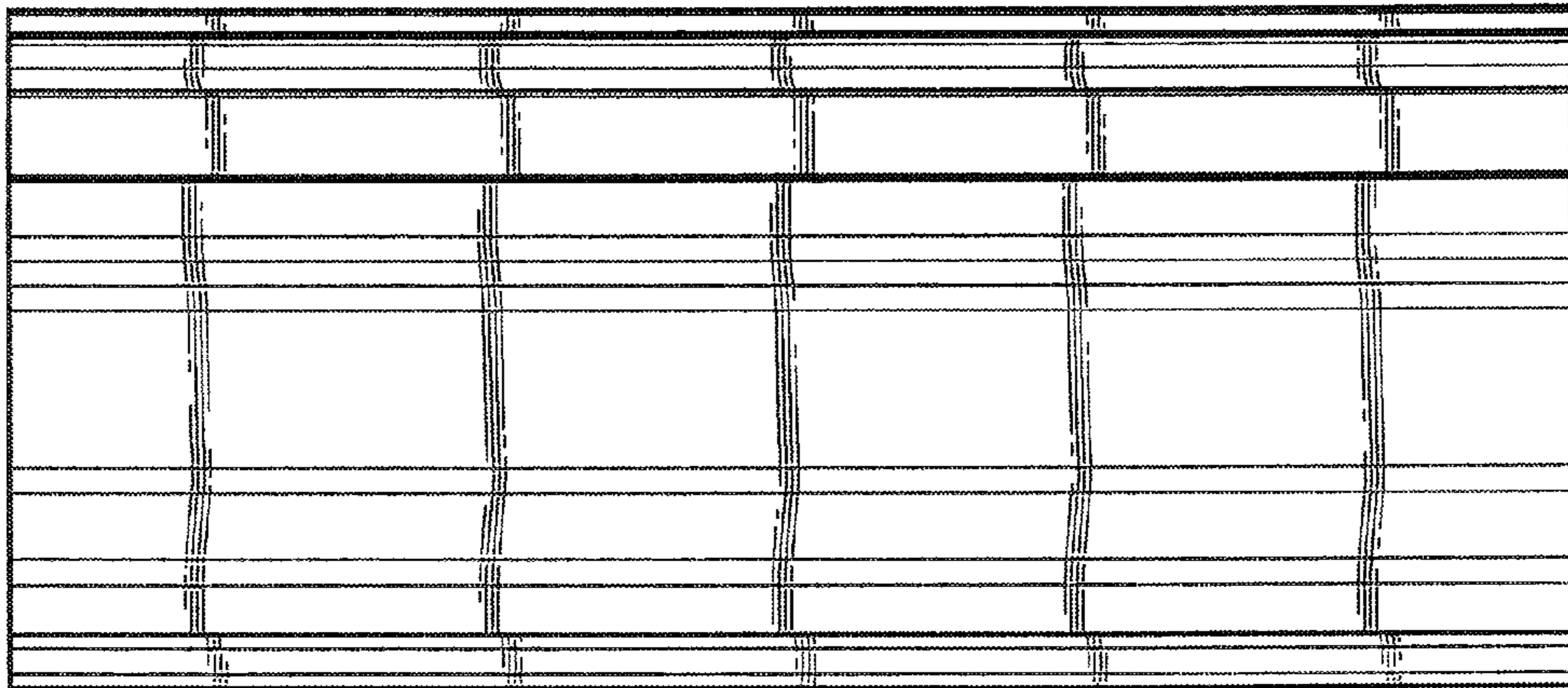


FIG. 6

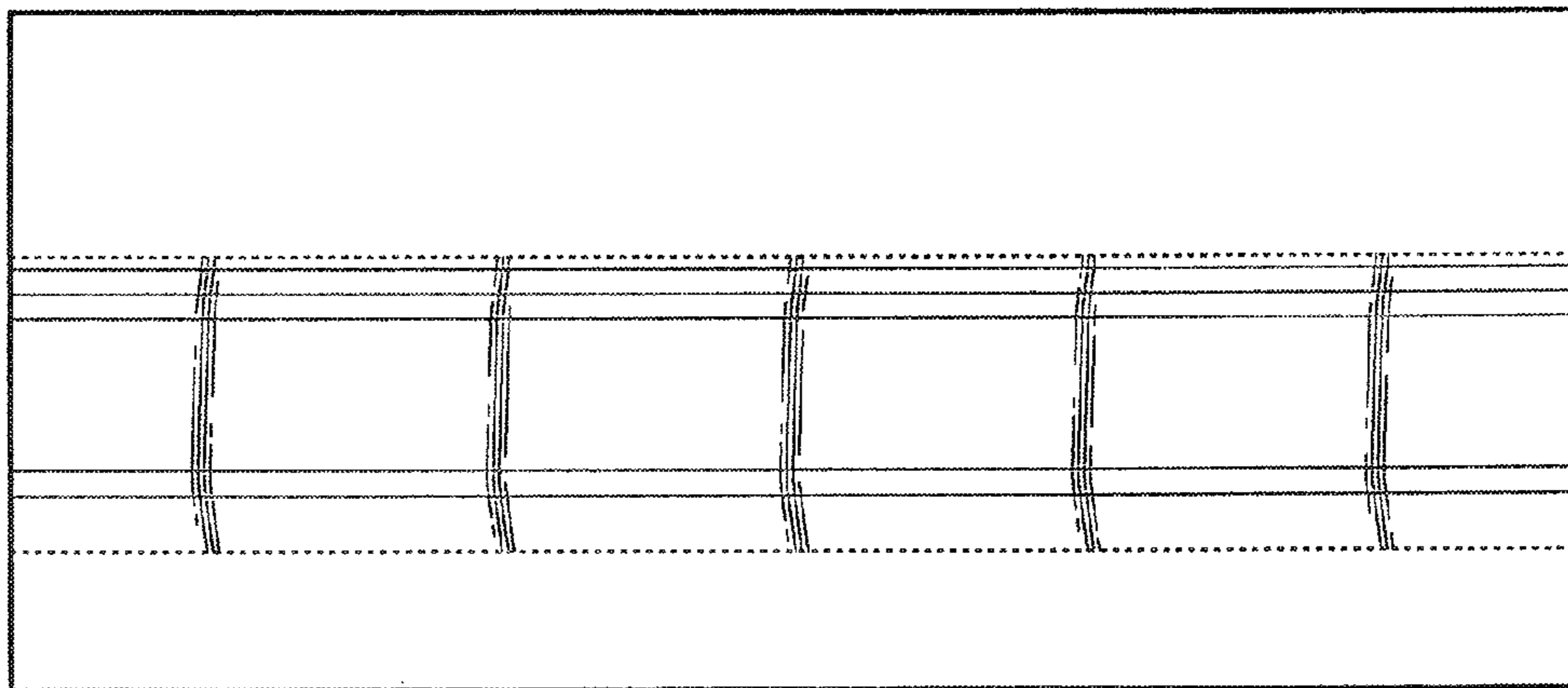


FIG. 7