



US00D683786S

(12) **United States Design Patent**
Miera

(10) **Patent No.:** **US D683,786 S**
(45) **Date of Patent:** **** Jun. 4, 2013**

- (54) **EYEGLASS**
- (71) Applicant: **Milner Distribution Alliance, Inc.**,
Monument, CO (US)
- (72) Inventor: **Brandon Miera**, Colorado Springs, CO
(US)
- (73) Assignee: **Milner Distribution Alliance, Inc.**,
Monument, CO (US)
- (**) Term: **14 Years**
- (21) Appl. No.: **29/443,792**
- (22) Filed: **Jan. 22, 2013**
- (51) **LOC (9) Cl.** **16-06**
- (52) **U.S. Cl.**
USPC **D16/315**
- (58) **Field of Classification Search**
USPC D16/101, 300-342, 900; D29/109-110;
351/41, 44, 51-52, 62, 158, 92, 103-123,
351/140-153, 45-46; 2/426-432, 447-449,
2/441, 434-437, 13, 15; D21/483, 659-661;
D14/372
See application file for complete search history.

D399,866 S	10/1998	Yee	
D400,232 S	10/1998	Jannard et al.	
D407,428 S	3/1999	Jannard et al.	
D415,188 S	10/1999	Thixton et al.	
D421,765 S *	3/2000	Hsu	D16/326
D456,441 S	4/2002	Jannard et al.	
D464,669 S	10/2002	Thixton et al.	
D469,459 S	1/2003	Moritz	
D478,114 S	8/2003	Yee	
D478,929 S	8/2003	Baden et al.	
D484,173 S	12/2003	Jannard et al.	
D496,383 S	9/2004	Yee et al.	
D496,680 S	9/2004	Yee	
D497,380 S	10/2004	Thixton et al.	
D502,959 S	3/2005	Hsu	
D508,515 S	8/2005	Yee et al.	
D513,275 S	12/2005	Yee	

(Continued)

FOREIGN PATENT DOCUMENTS

DE	29912275 U1	11/1999
EP	1582909 A1	10/2005
JP	2007286210 A	11/2007
WO	9721139 A1	6/1997

Primary Examiner — Raphael Barkai
(74) *Attorney, Agent, or Firm* — Holland & Hart LLP

(57) **CLAIM**
The ornamental design for an eyeglass, as shown and described.

DESCRIPTION

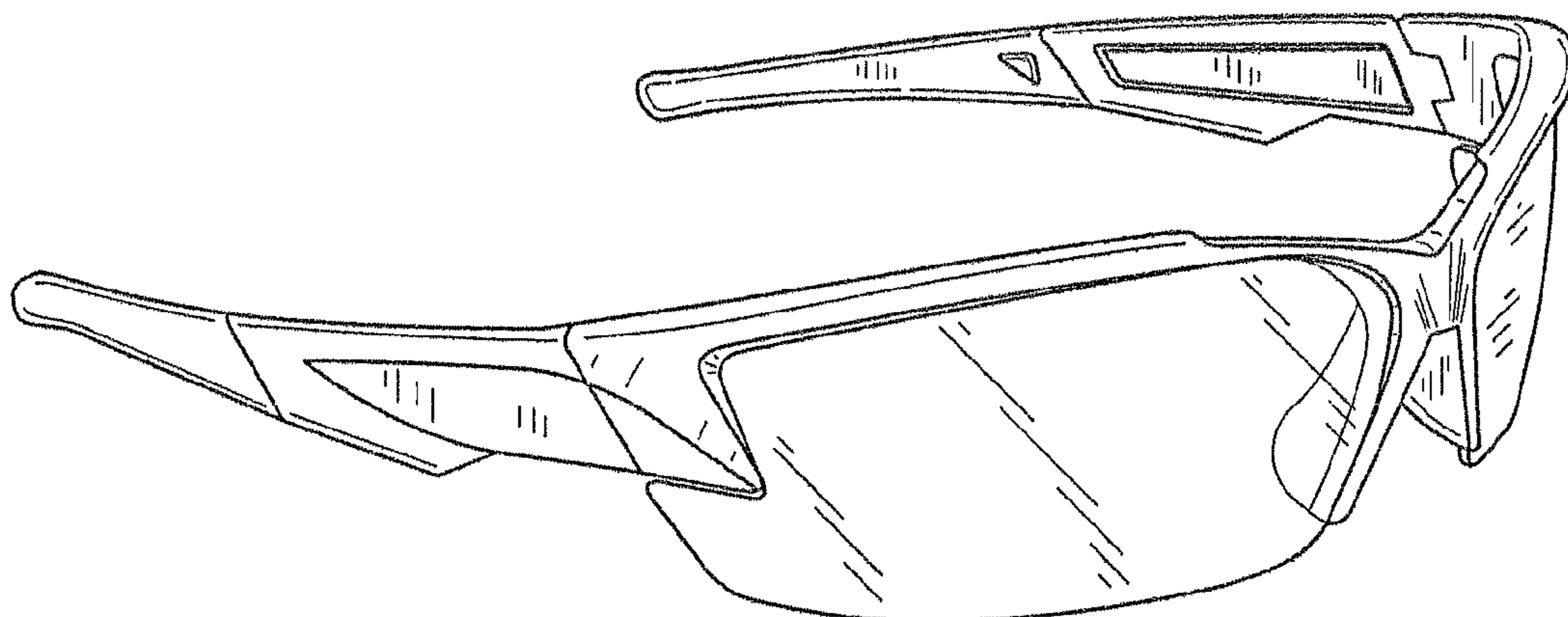
FIG. 1 is a front perspective view of an eyeglass showing the new design;
FIG. 2 is a front elevation view thereof,
FIG. 3 is a rear elevation view thereof,
FIG. 4 is a right side elevation view thereof,
FIG. 5 is a left side elevation view thereof;
FIG. 6 is a top plan view thereof; and,
FIG. 7 is a bottom plan view thereof.

1 Claim, 5 Drawing Sheets

(56) **References Cited**

U.S. PATENT DOCUMENTS

D323,333 S	1/1992	Jannard et al.	
D325,040 S	3/1992	Jannard	
D329,445 S	9/1992	Jannard	
D330,035 S	10/1992	Jannard	
D330,716 S	11/1992	Jannard	
D342,959 S	1/1994	Jannard et al.	
D354,501 S	1/1995	Jannard	
5,541,674 A	7/1996	Jannard	
D376,810 S	12/1996	Ohie	
D381,671 S *	7/1997	Tan et al.	D16/315
D384,364 S	9/1997	Yee	
D399,519 S	10/1998	Yee	



US D683,786 S

Page 2

U.S. PATENT DOCUMENTS

D525,280 S	7/2006	Yee et al.		D569,412 S	5/2008	Jannard et al.	
D539,829 S	4/2007	Chuang		D581,443 S	11/2008	Jannard et al.	
D543,572 S	5/2007	Yee et al.		D581,444 S	11/2008	Jannard et al.	
D543,574 S	5/2007	Jannard et al.		D581,449 S	11/2008	Yee	
D544,020 S	6/2007	Thixton et al.		D586,379 S	2/2009	Thixton et al.	
D545,868 S	7/2007	Chuang		D590,432 S	4/2009	Yee	
D547,794 S	7/2007	Jannard et al.		D591,787 S	5/2009	Yee	
D550,753 S *	9/2007	Li	D16/315	D601,613 S	10/2009	Yee	
D554,689 S	11/2007	Jannard et al.		D604,757 S	11/2009	Yee	
D555,705 S	11/2007	Chuang		D616,013 S *	5/2010	Reed	D16/315
D556,243 S *	11/2007	Elmore	D16/315	D622,755 S	8/2010	Yee	
D558,816 S	1/2008	Yee		D628,229 S *	11/2010	Fuchs	D16/315
D561,809 S	2/2008	Yee		D640,725 S	6/2011	Moritz et al.	
D561,813 S	2/2008	Baden et al.		D659,180 S	5/2012	Moritz	
D564,568 S	3/2008	Moritz		D664,590 S	7/2012	Shin	
D564,571 S	3/2008	Jannard et al.		2007/0024806 A1	2/2007	Blanshay et al.	
D565,088 S	3/2008	Baden et al.					

* cited by examiner

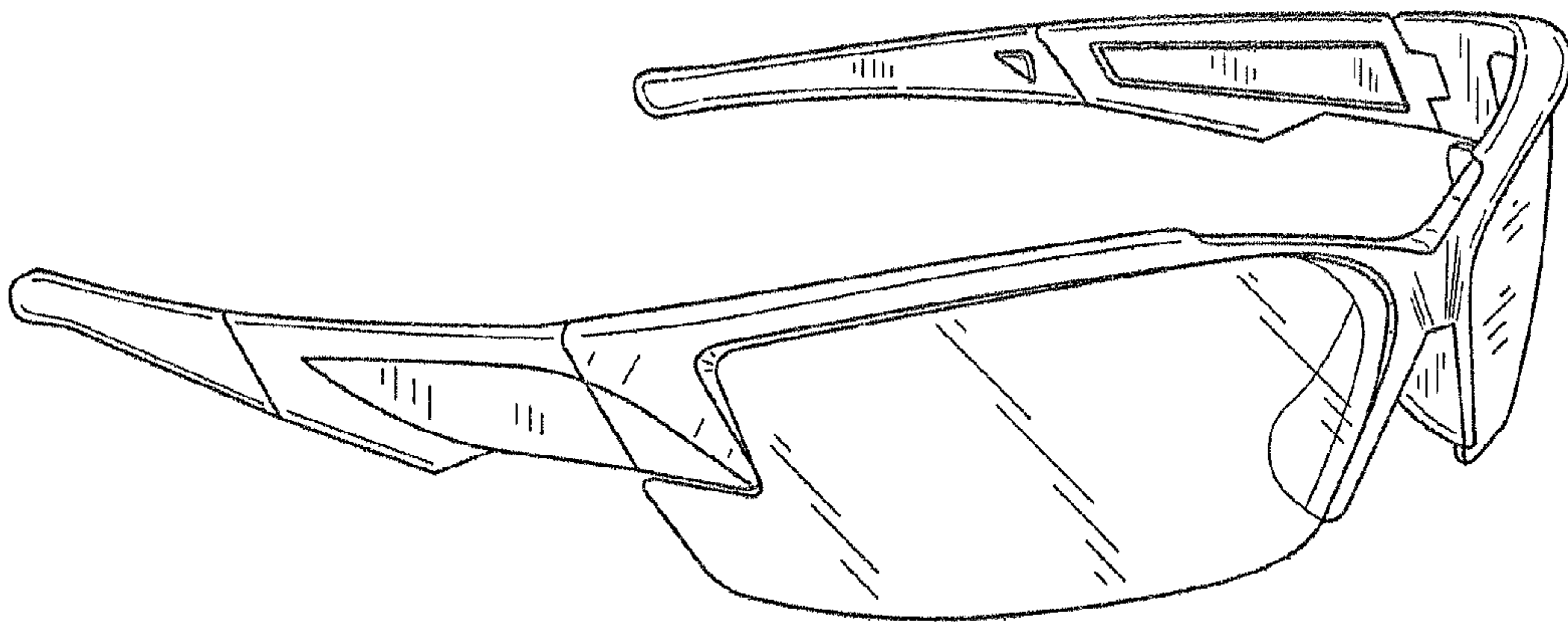


FIG. 1

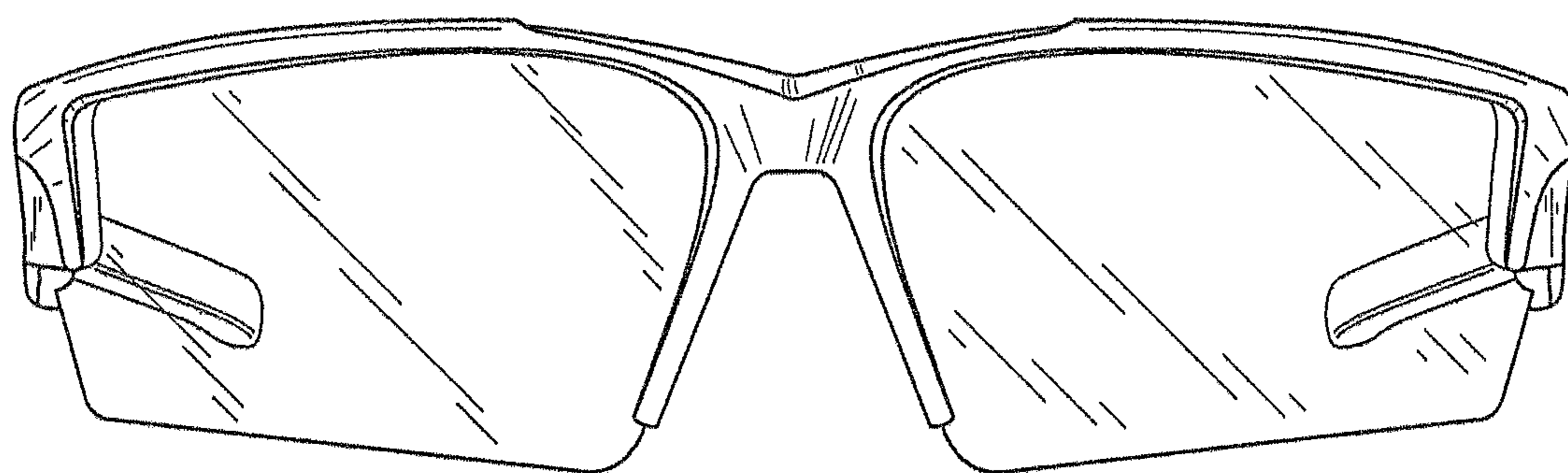


FIG.2

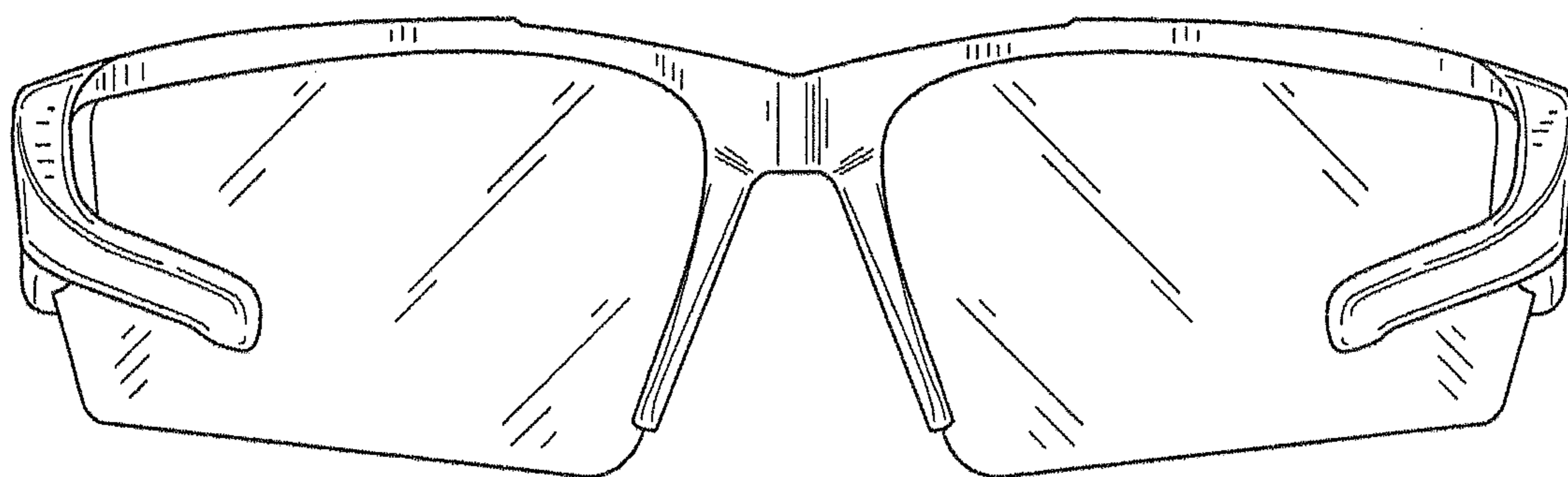


FIG.3

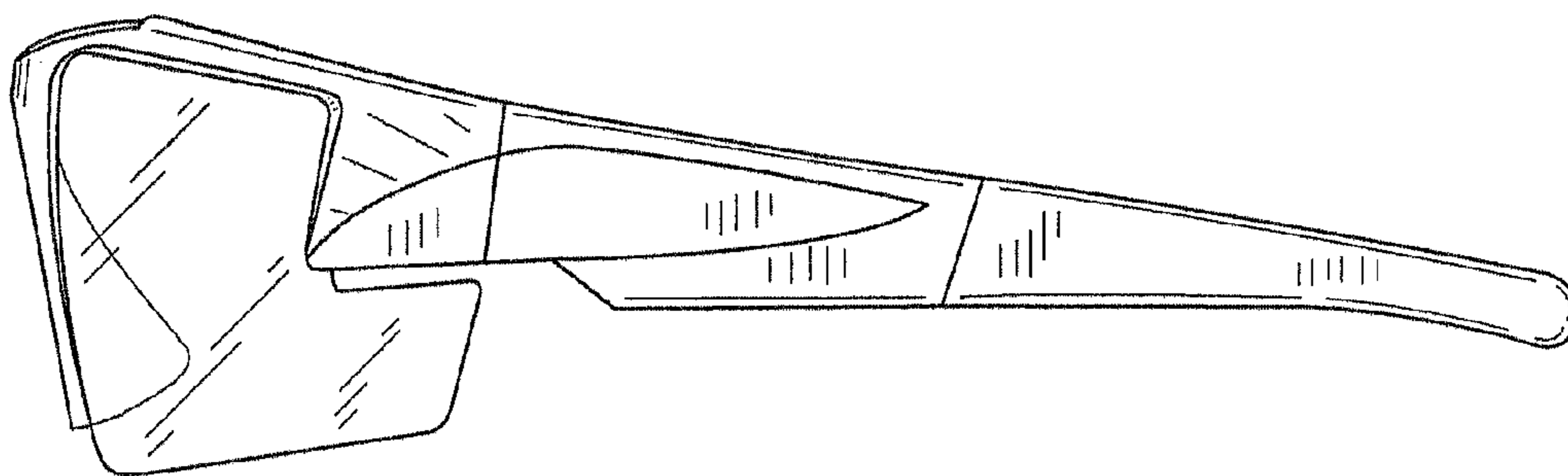


FIG. 4

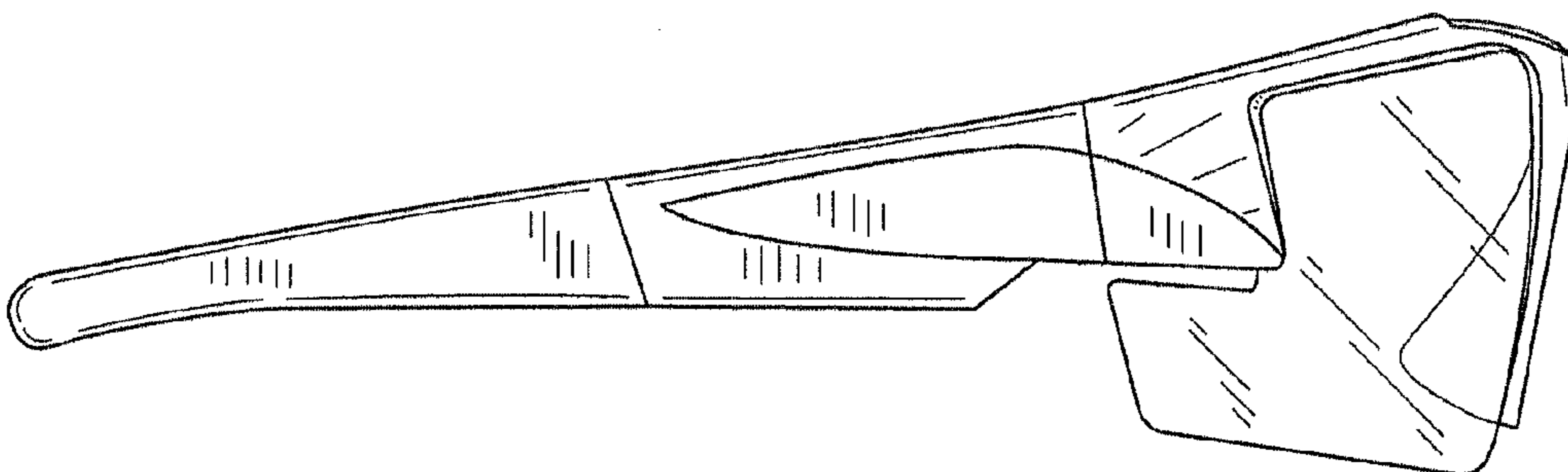


FIG. 5

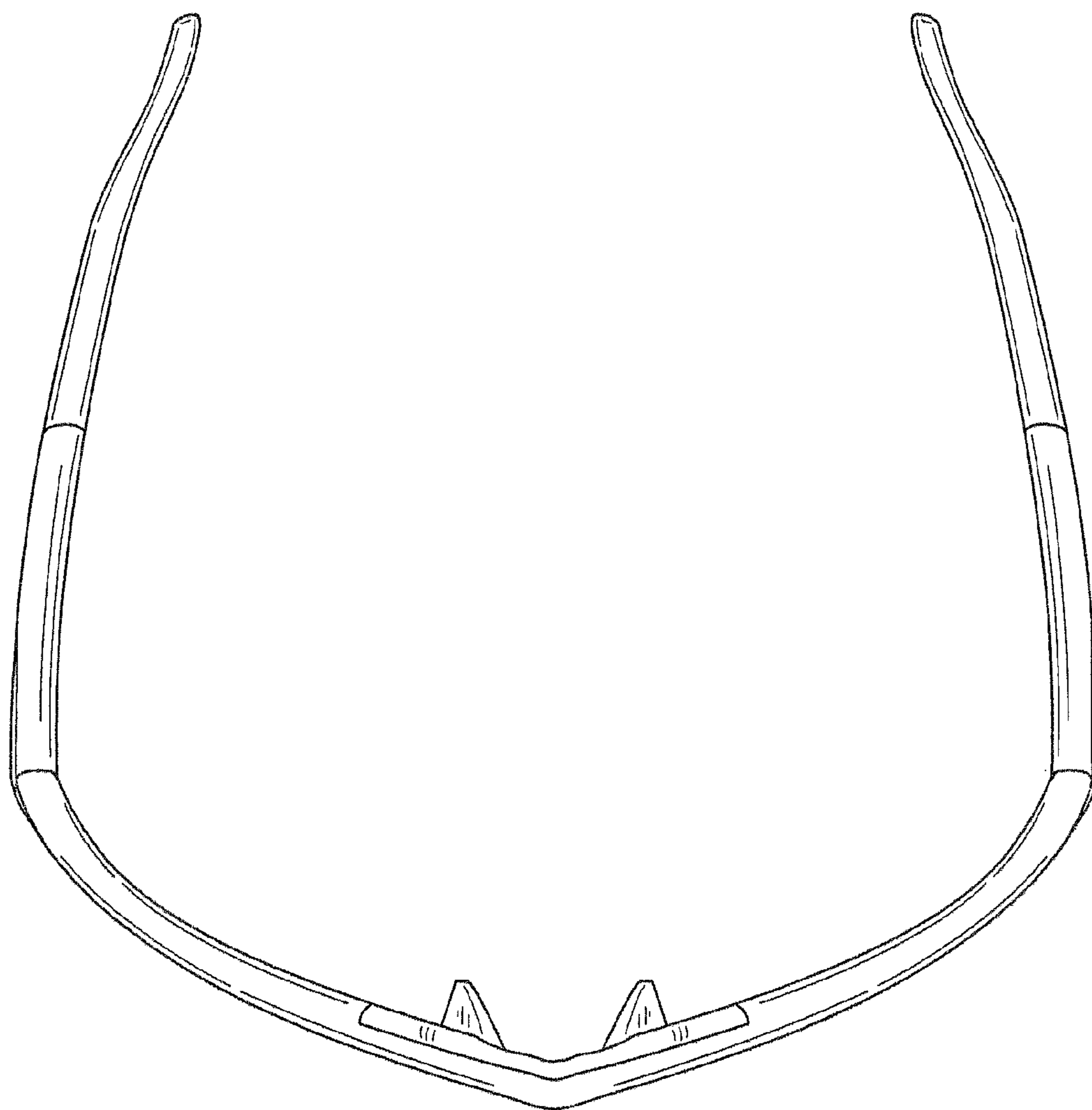


FIG.6

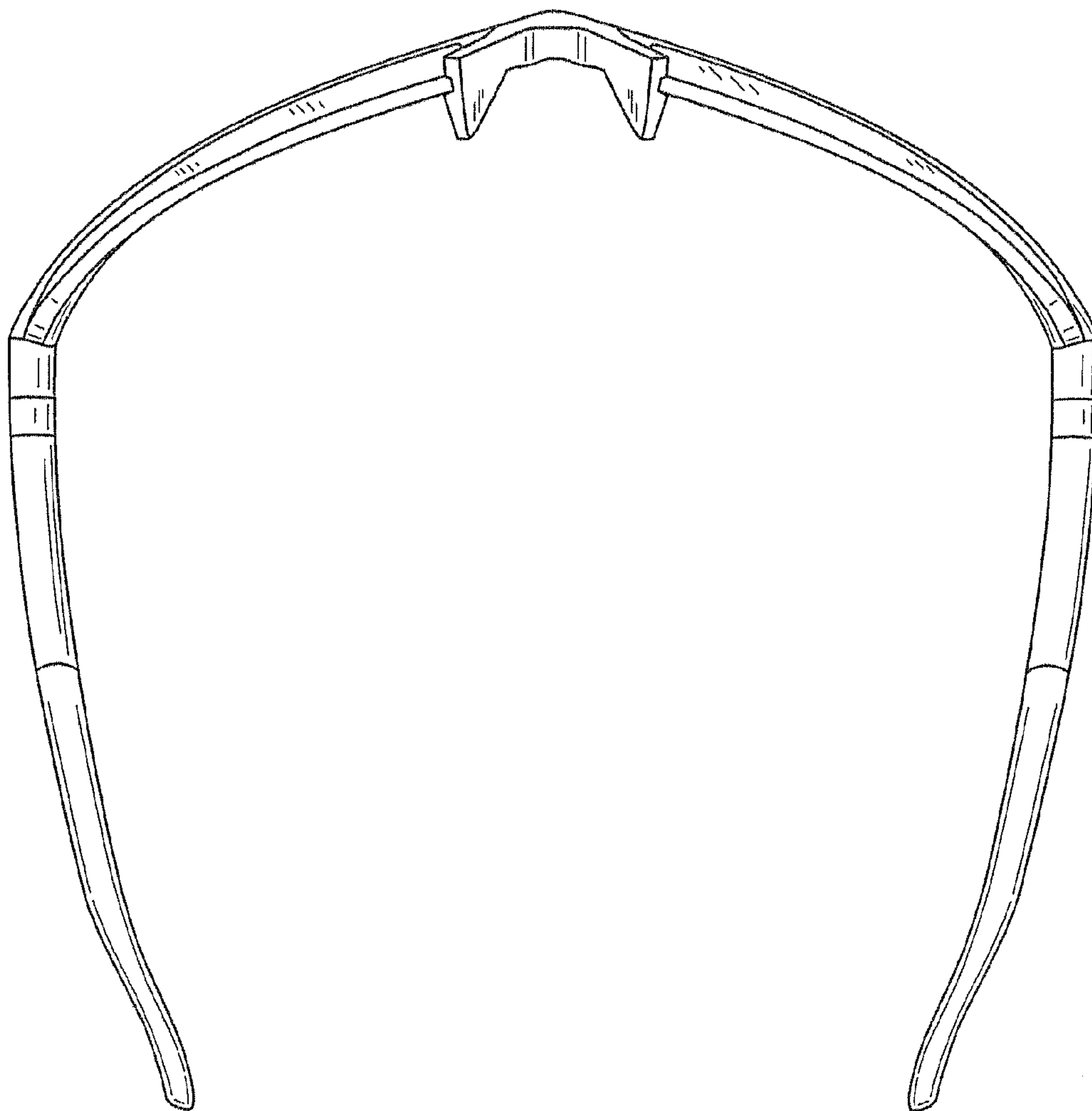


FIG.7