



US00D683782S

(12) **United States Design Patent**
Ishibashi et al.

(10) **Patent No.:** **US D683,782 S**

(45) **Date of Patent:** **** Jun. 4, 2013**

(54) **PROJECTOR**

(75) Inventors: **Atsushi Ishibashi**, Tokorozawa (JP);
Yoshihiro Iwama, Kokubunji (JP);
Takafumi Ishizu, Yokohama (JP); **Yuta**
Kawaguchi, Funabashi (JP); **Kazumasa**
Ueoka, Yokohama (JP)

(73) Assignee: **Hitachi Consumer Electronics Co.,**
Ltd., Tokyo (JP)

(**) Term: **14 Years**

(21) Appl. No.: **29/425,249**

(22) Filed: **Jun. 21, 2012**

(30) **Foreign Application Priority Data**

Apr. 20, 2012 (JP) 2012-009272

(51) **LOC (9) Cl.** **16-02**

(52) **U.S. Cl.**
USPC **D16/230**

(58) **Field of Classification Search**
USPC D16/221, 225, 230-231, 234; D21/514;
353/115, 119, 122

See application file for complete search history.

(56) **References Cited**

U.S. PATENT DOCUMENTS

D457,179	S	*	5/2002	Saeki et al.	D16/230
D473,253	S	*	4/2003	Shimamoto	D16/231
7,029,132	B2	*	4/2006	Tsubata et al.	353/119
D575,811	S	*	8/2008	Ohki et al.	D16/230
D577,051	S	*	9/2008	Yamamizu	D16/230
D627,387	S	*	11/2010	Kawaguchi et al.	D16/230
D636,426	S	*	4/2011	Kawaguchi et al.	D16/230
D663,346	S	*	7/2012	Fujikawa et al.	D16/230

* cited by examiner

Primary Examiner — Wan Laymon

(74) *Attorney, Agent, or Firm* — Antonelli, Terry, Stout & Kraus, LLP.

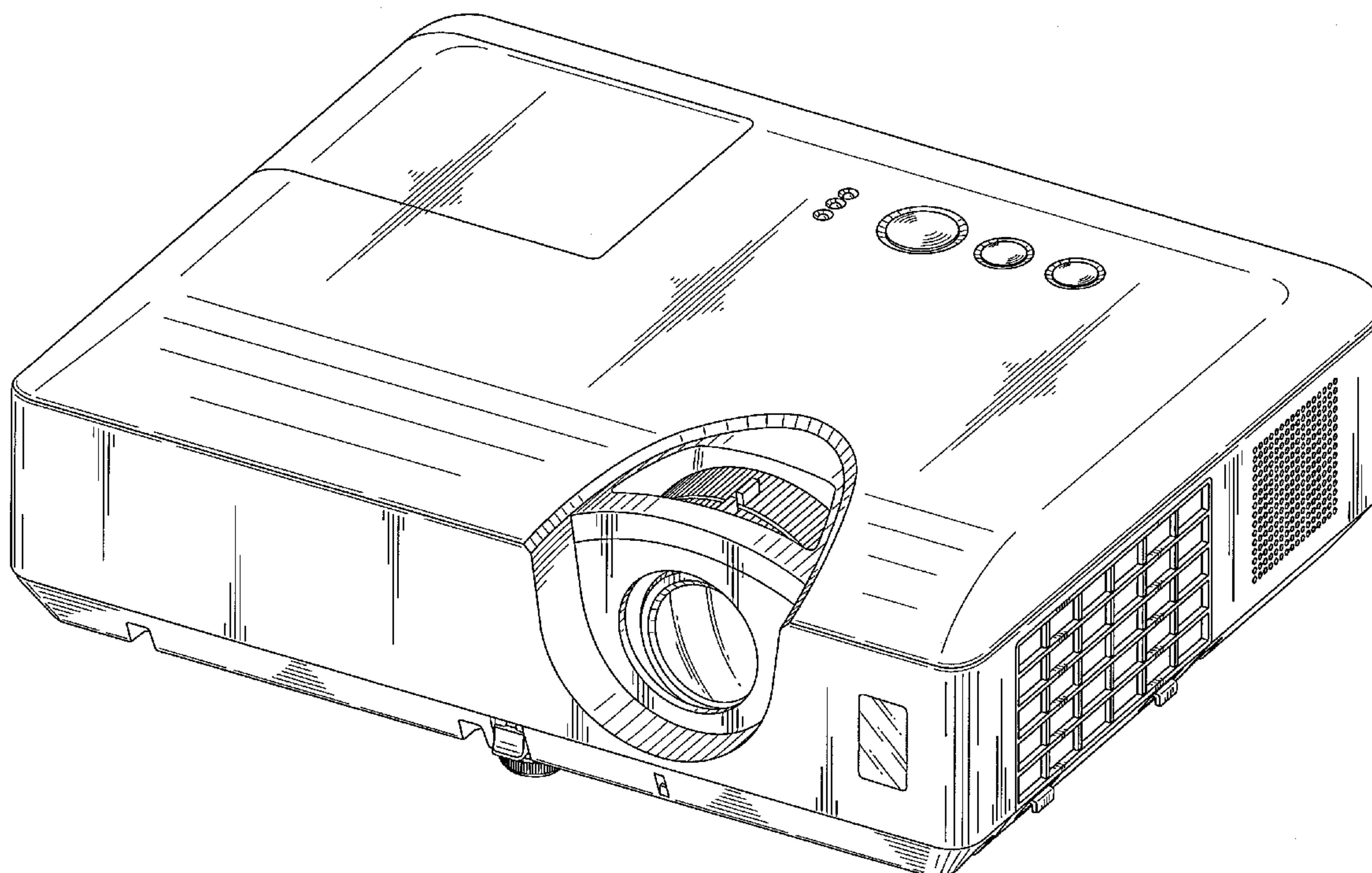
(57) **CLAIM**

We claim the ornamental design for a projector, as shown and described.

DESCRIPTION

FIG. 1 is a front, top and right side perspective view of a projector showing our new design;
FIG. 2 is a front elevational view thereof;
FIG. 3 is a rear elevational view thereof;
FIG. 4 is a left side elevational view thereof;
FIG. 5 is a right side elevational view thereof;
FIG. 6 is a top plan view thereof; and,
FIG. 7 is a bottom plan view thereof.
The broken lines in the FIG. 3, FIG. 4 and FIG. 7 is included for the purpose of illustrating portion of the projector that form no part of the claimed design.

1 Claim, 5 Drawing Sheets



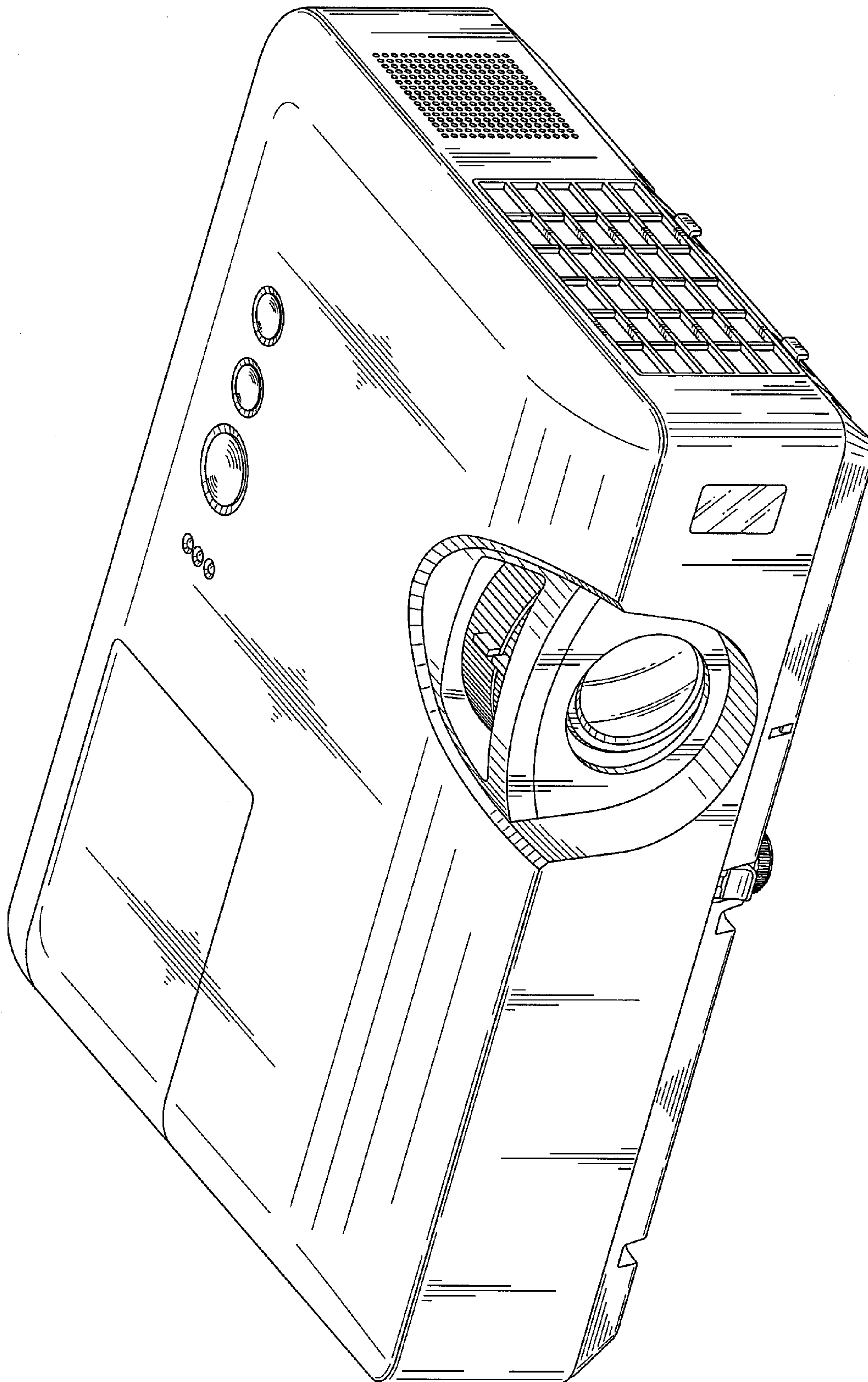


FIG. 1

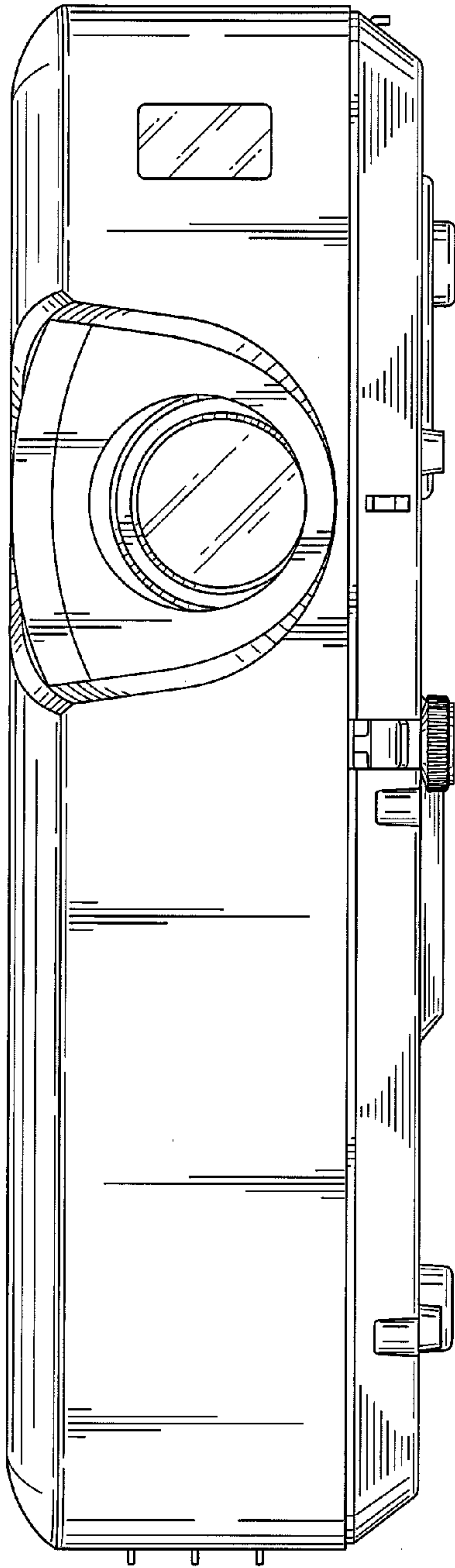


FIG. 2

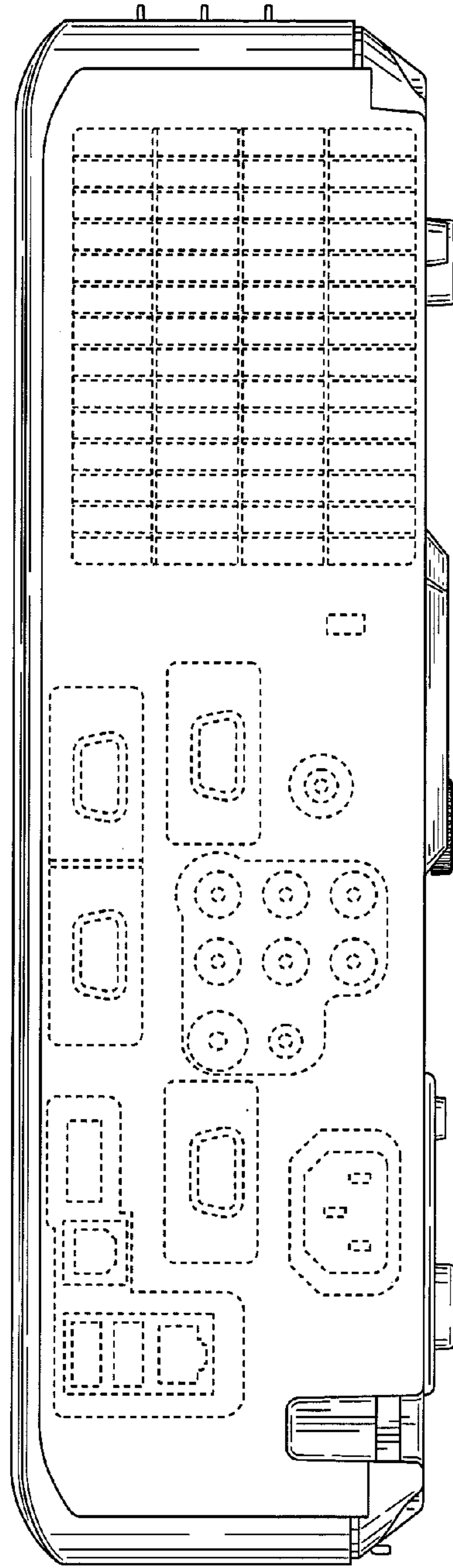


FIG. 3

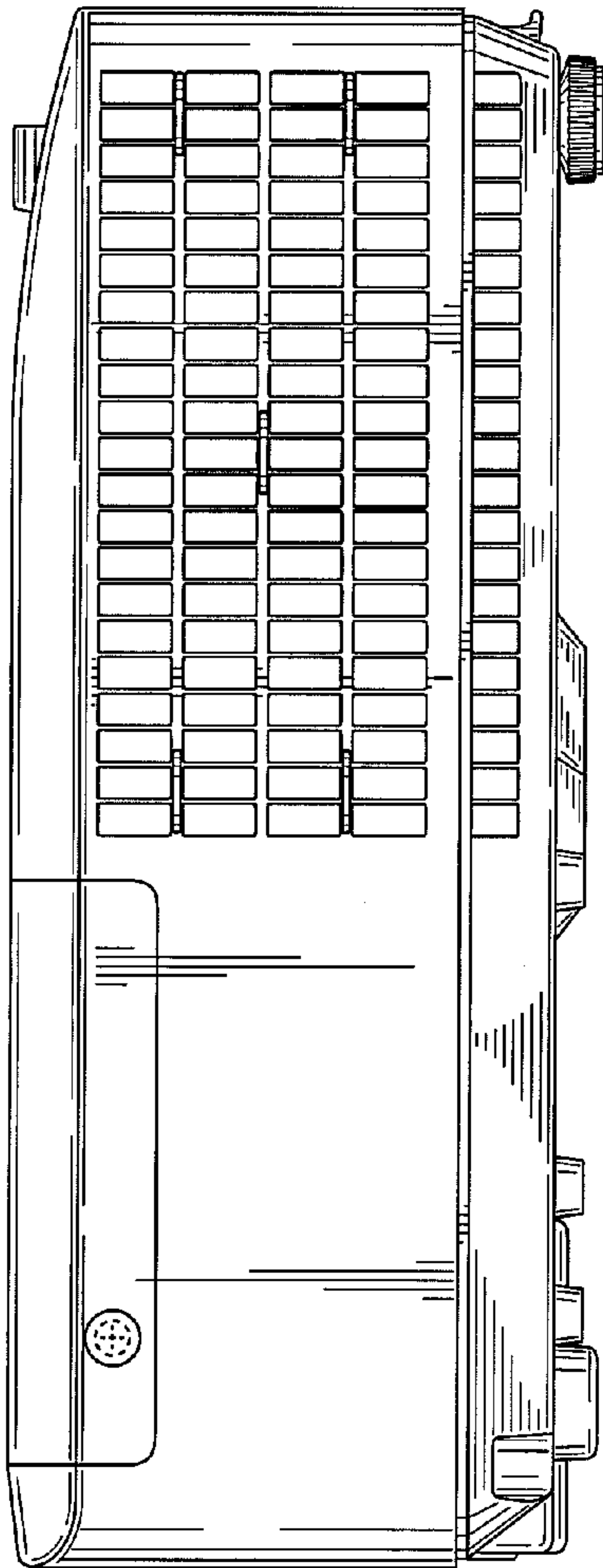


FIG. 4

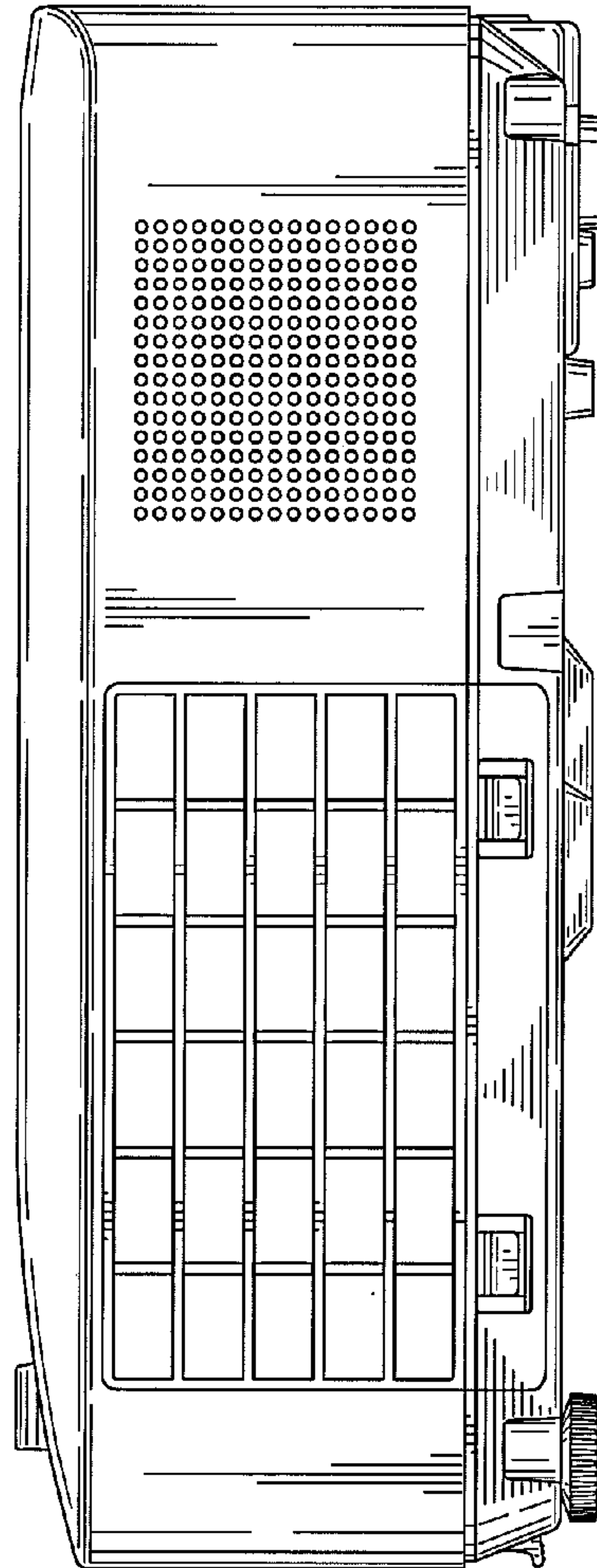


FIG. 5

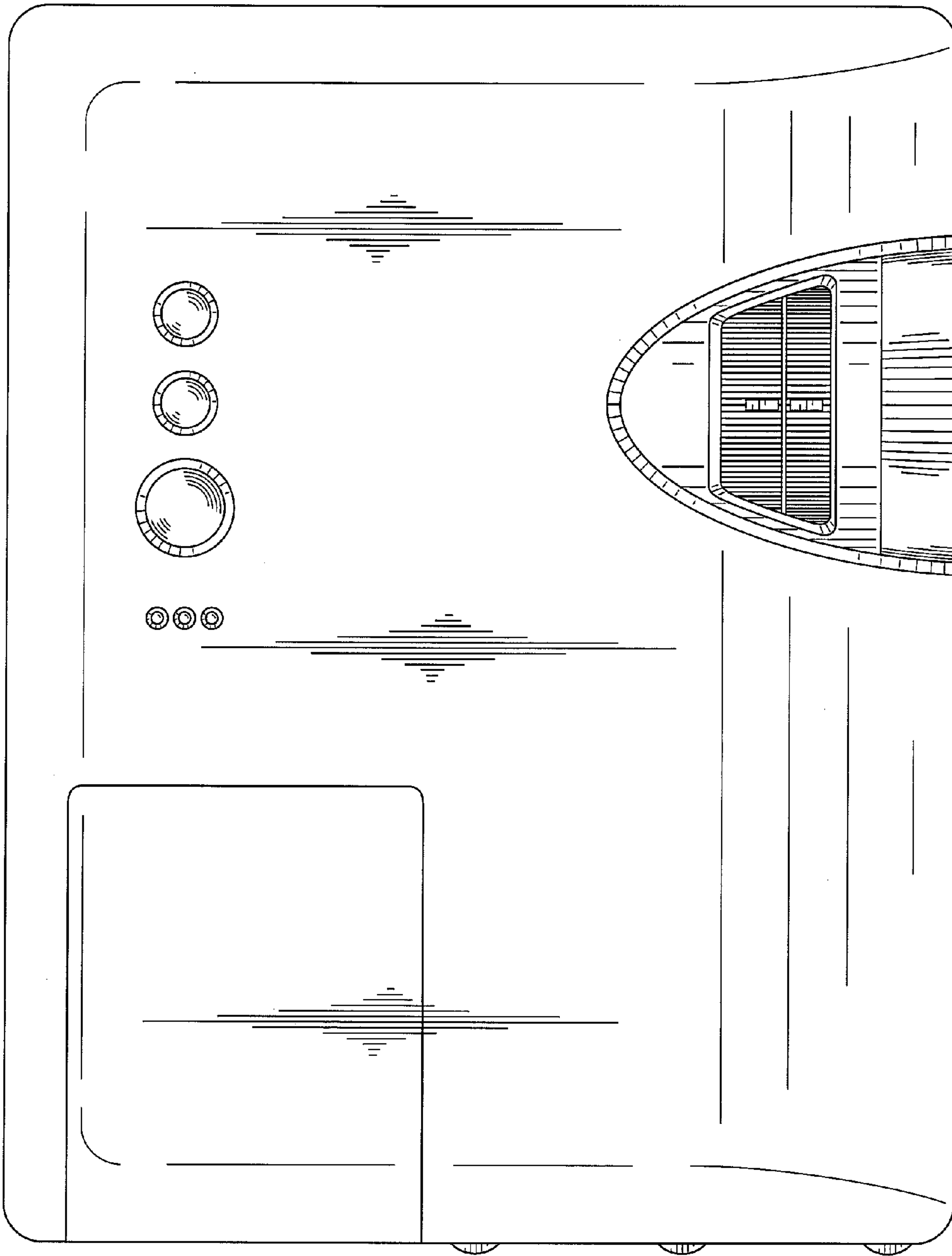


FIG. 6

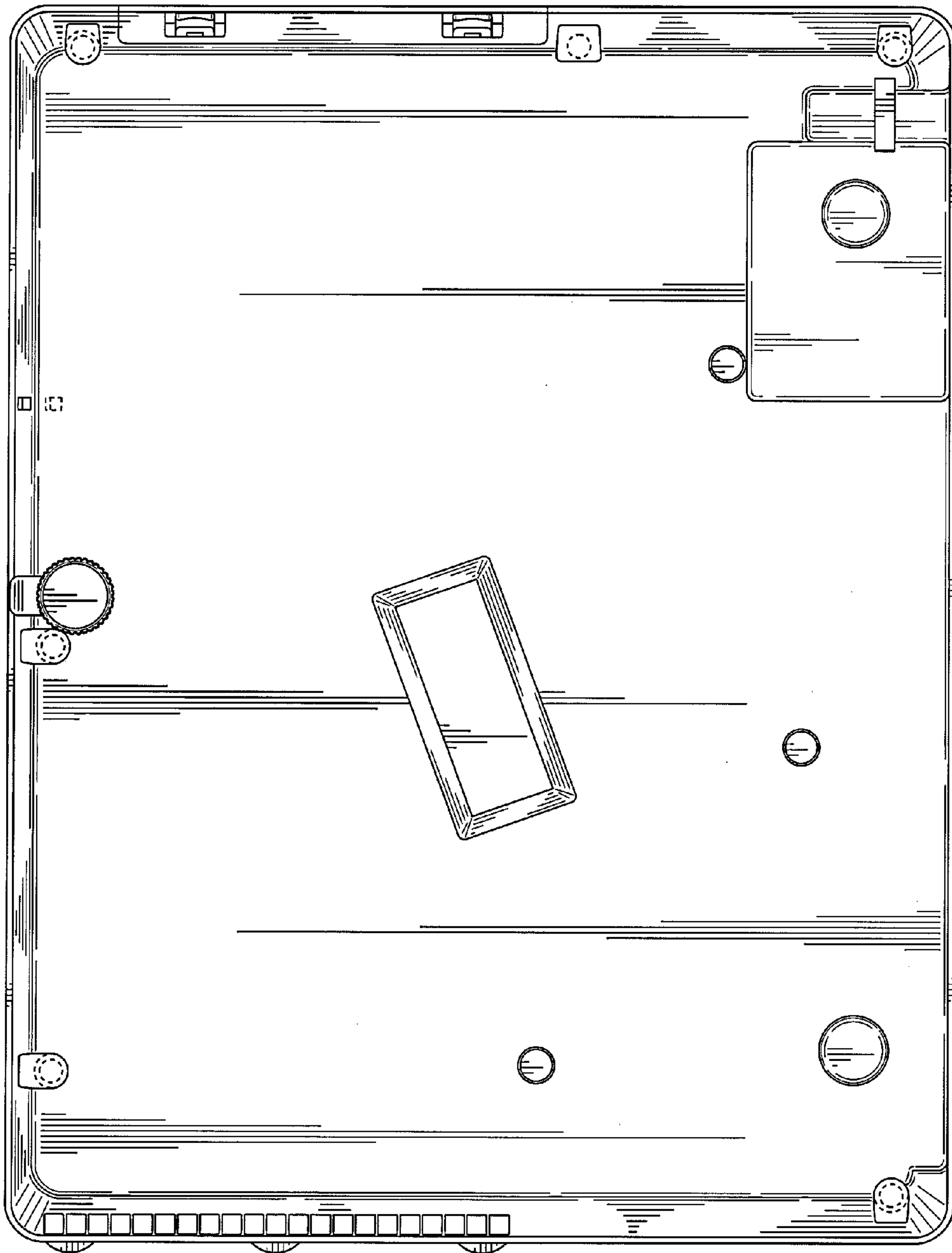


FIG. 7