



US00D683780S

(12) **United States Design Patent**
Sakai

(10) **Patent No.:** **US D683,780 S**
(45) **Date of Patent:** **** Jun. 4, 2013**

(54) **DIGITAL CAMERA**

(75) **Inventor:** **Koji Sakai**, Hachioji (JP)

(73) **Assignee:** **Olympus Imaging Corp.**, Tokyo (JP)

(**) **Term:** **14 Years**

(21) **Appl. No.:** **29/416,839**

(22) **Filed:** **Mar. 27, 2012**

(30) **Foreign Application Priority Data**

Feb. 3, 2012 (JP) 2012-002224

(51) **LOC (9) Cl.** **16-01**

(52) **U.S. Cl.**
USPC **D16/202**

(58) **Field of Classification Search**
USPC D16/200, 202, 204, 218; 348/373-376;
358/909.1; 396/535-541

See application file for complete search history.

(56) **References Cited**

U.S. PATENT DOCUMENTS

D548,255	S	*	8/2007	Naito	D16/202
D605,675	S	*	12/2009	Sakaguchi et al.	D16/202
D609,731	S	*	2/2010	Yagi	D16/202
D610,179	S	*	2/2010	Tajima	D16/202
D631,078	S	*	1/2011	Nohara	D16/202
8,098,325	B2	*	1/2012	Kaneko et al.	348/374

* cited by examiner

Primary Examiner — Adir Aronovich

(74) *Attorney, Agent, or Firm* — Holtz, Holtz, Goodman & Chick, P.C.

(57) **CLAIM**

The ornamental design for a digital camera, as shown.

DESCRIPTION

FIG. 1 is a front, top and right side perspective view of a digital camera showing my new design;
FIG. 2 is a front elevational view thereof;
FIG. 3 is a rear elevational view thereof;
FIG. 4 is a top plan view thereof;
FIG. 5 is a bottom plan view thereof;
FIG. 6 is a right side elevational view thereof; and,
FIG. 7 is a left side elevational view thereof.

1 Claim, 4 Drawing Sheets

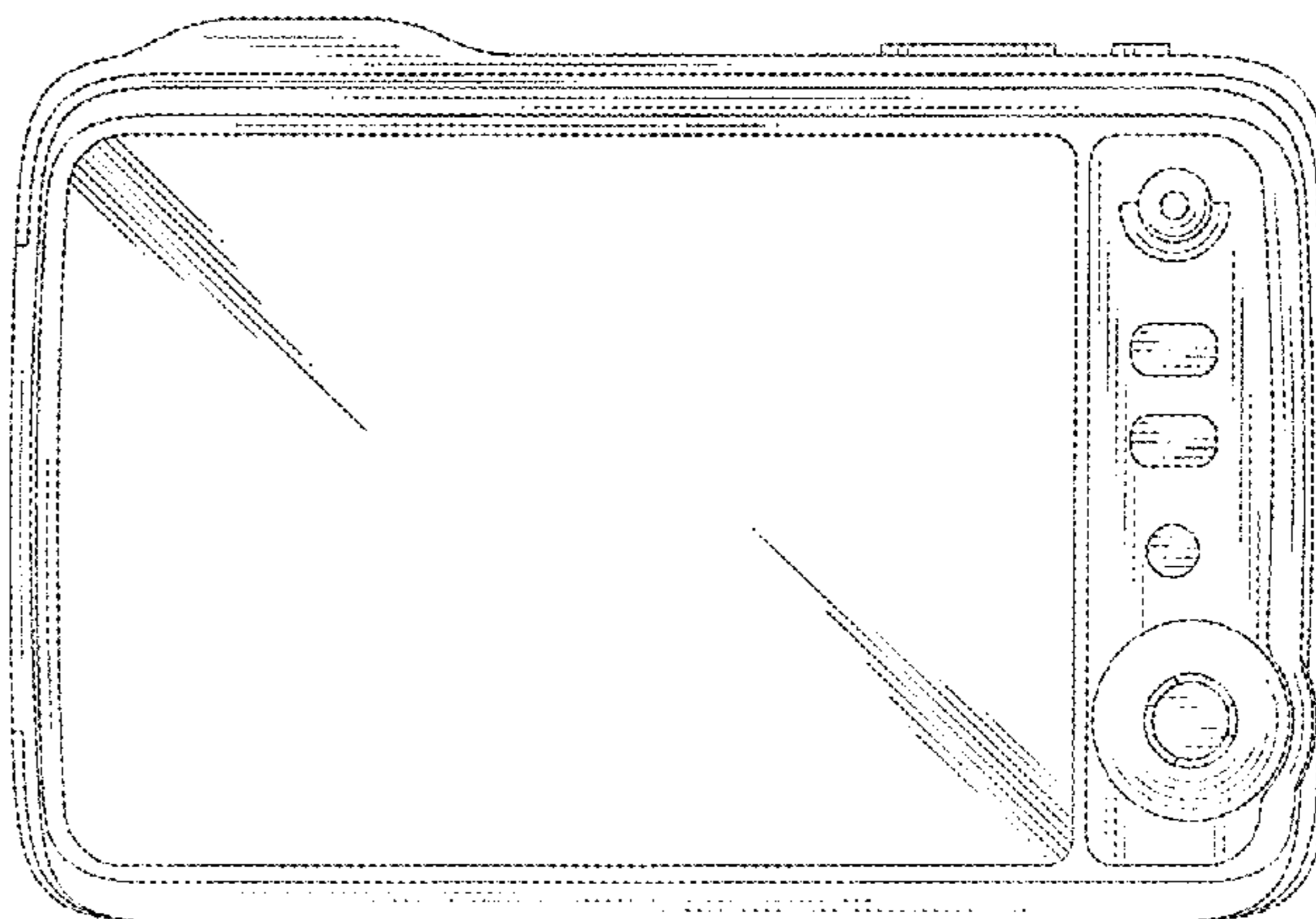
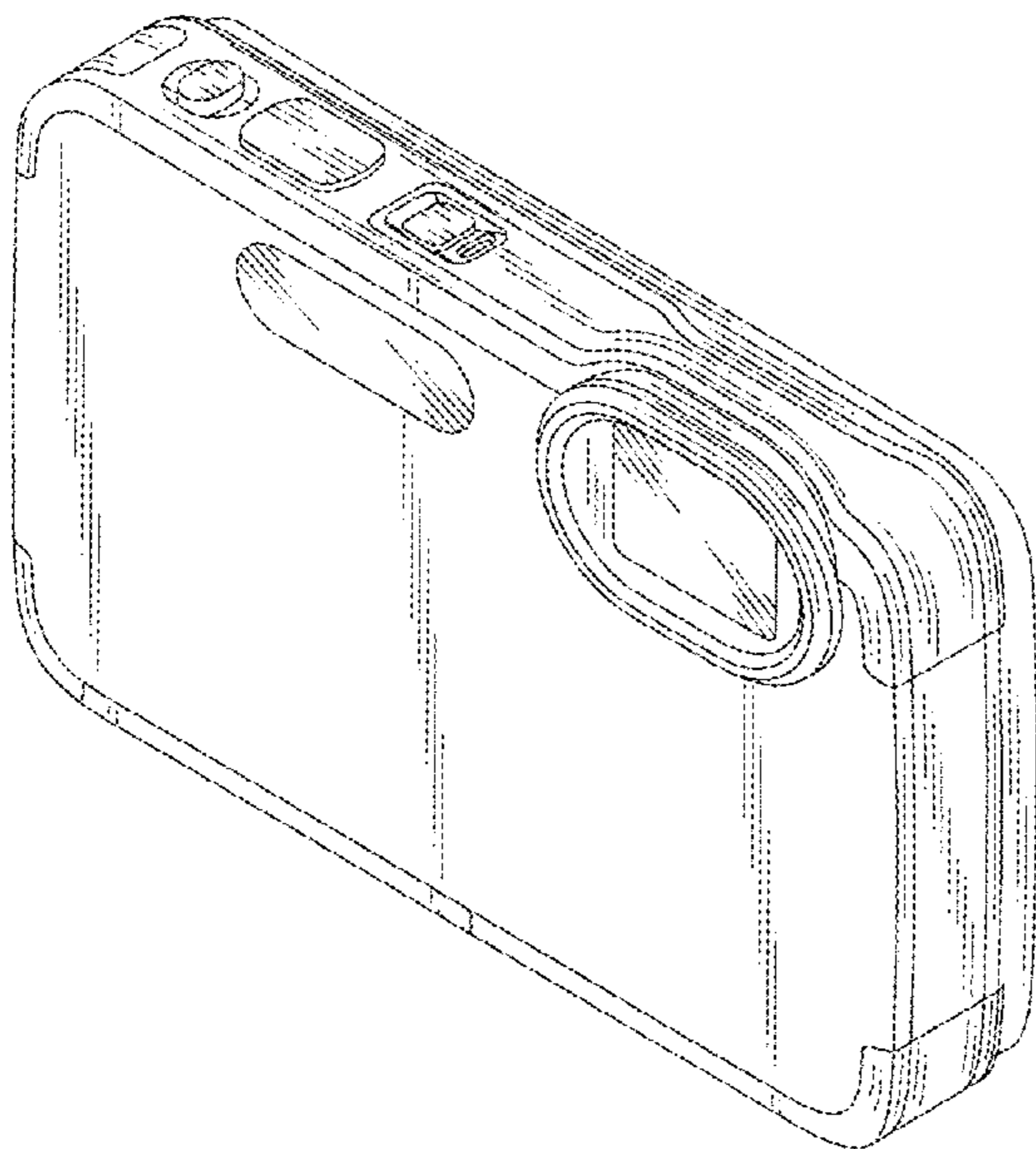


FIG. 1

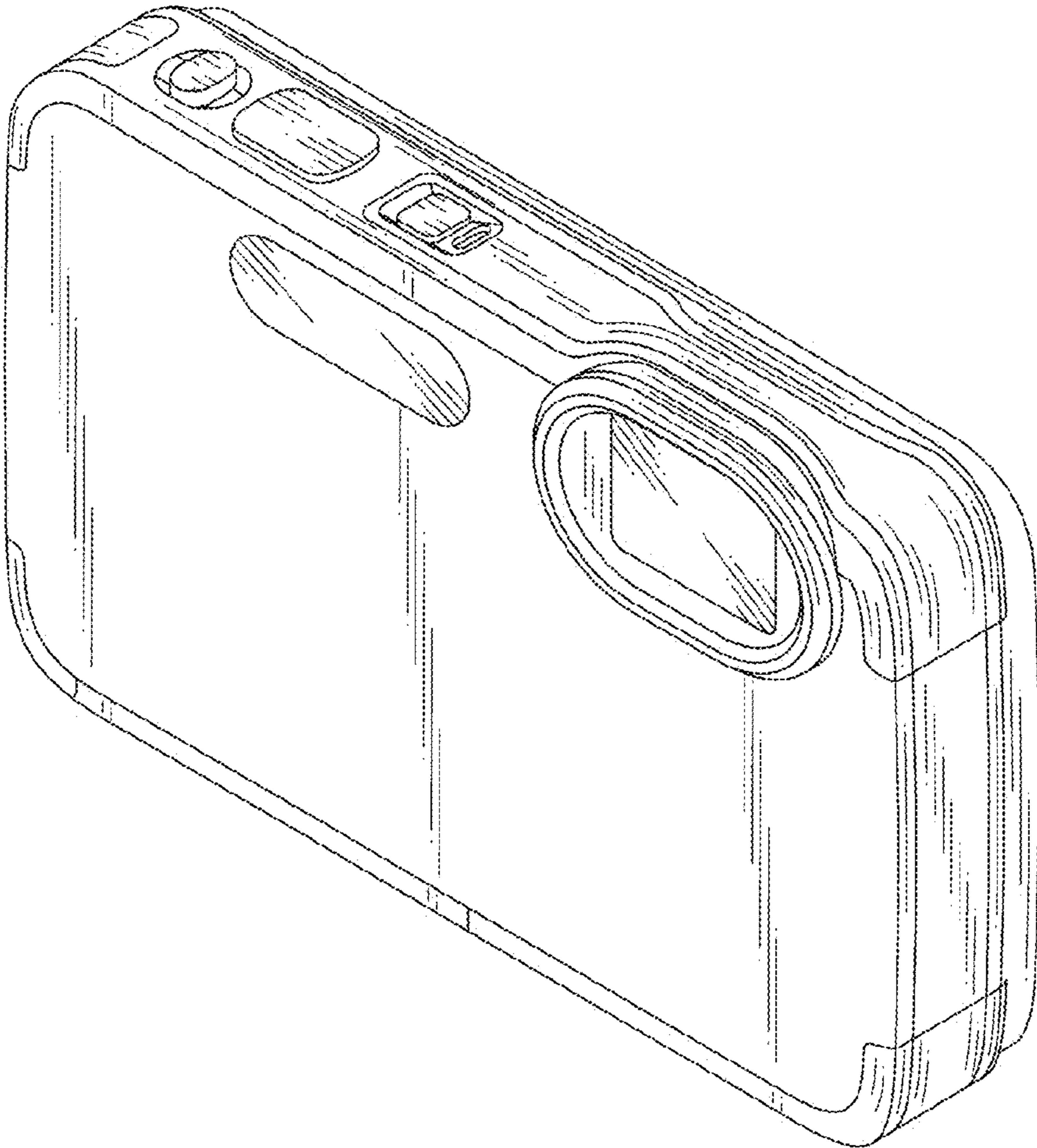


FIG.2

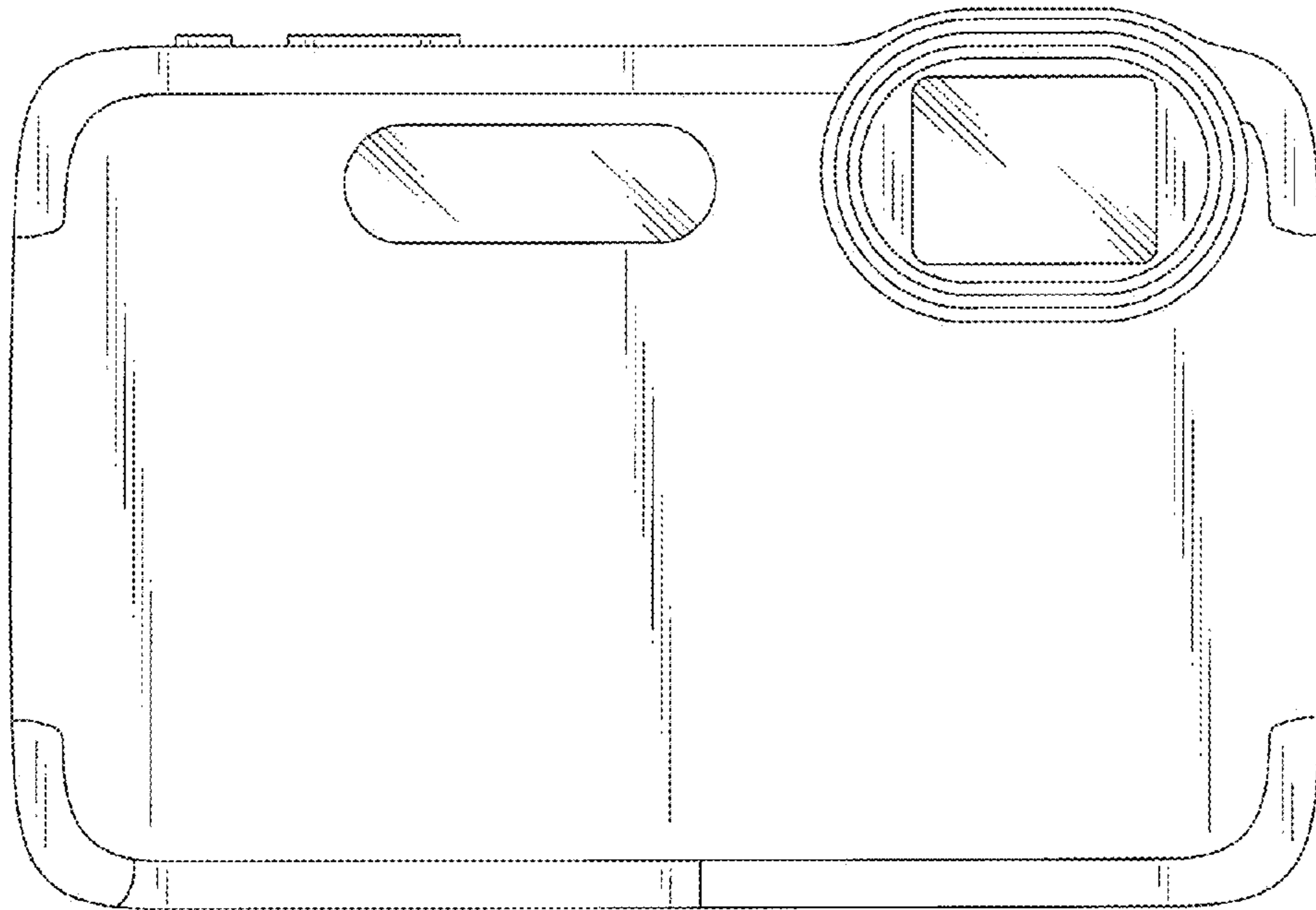


FIG.3

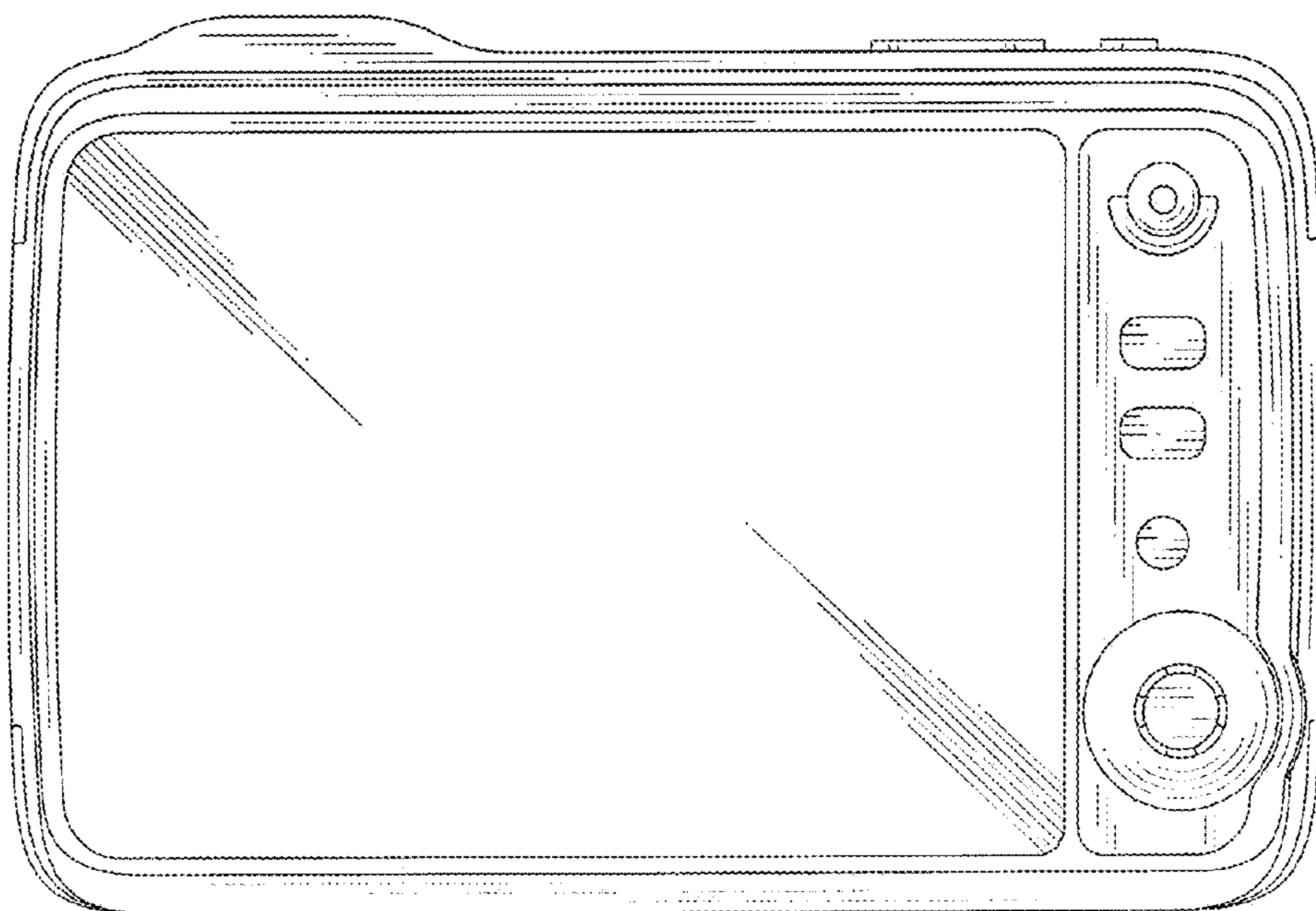


FIG.4

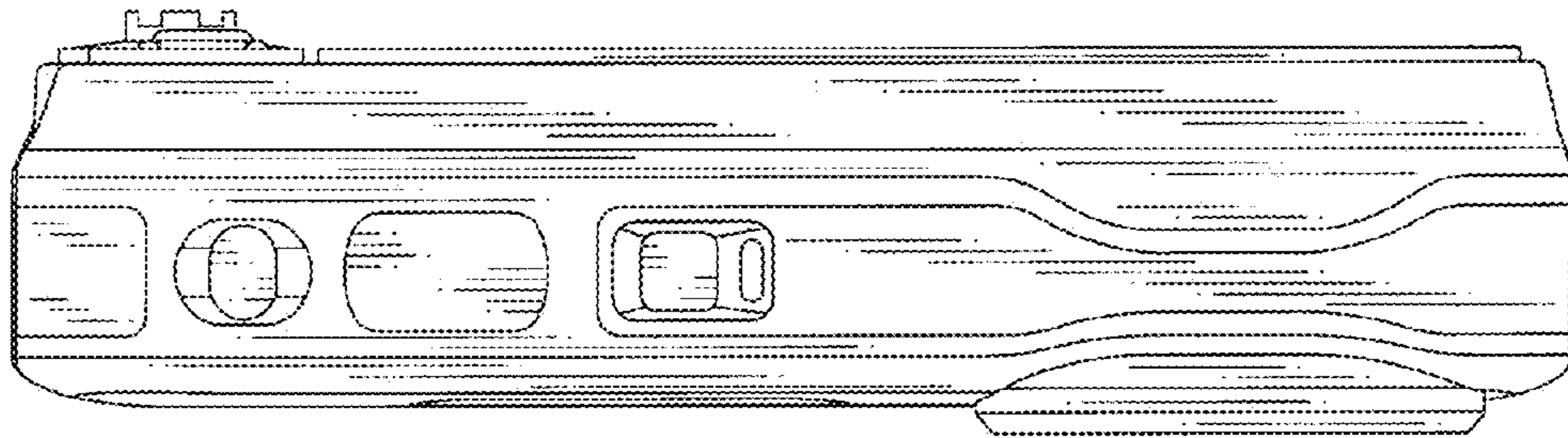


FIG.5

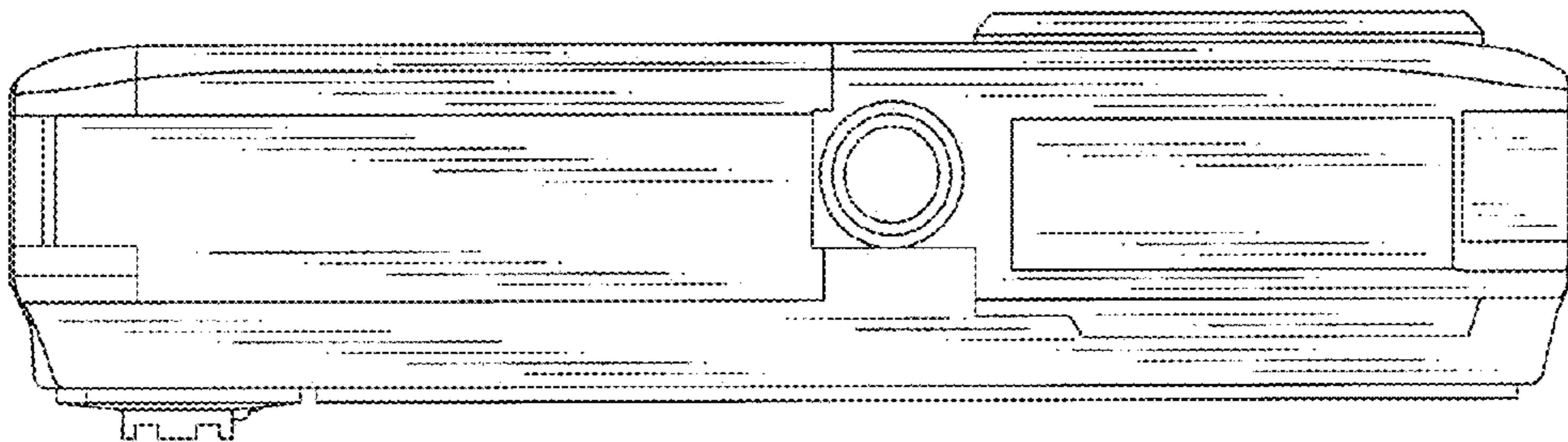


FIG.6

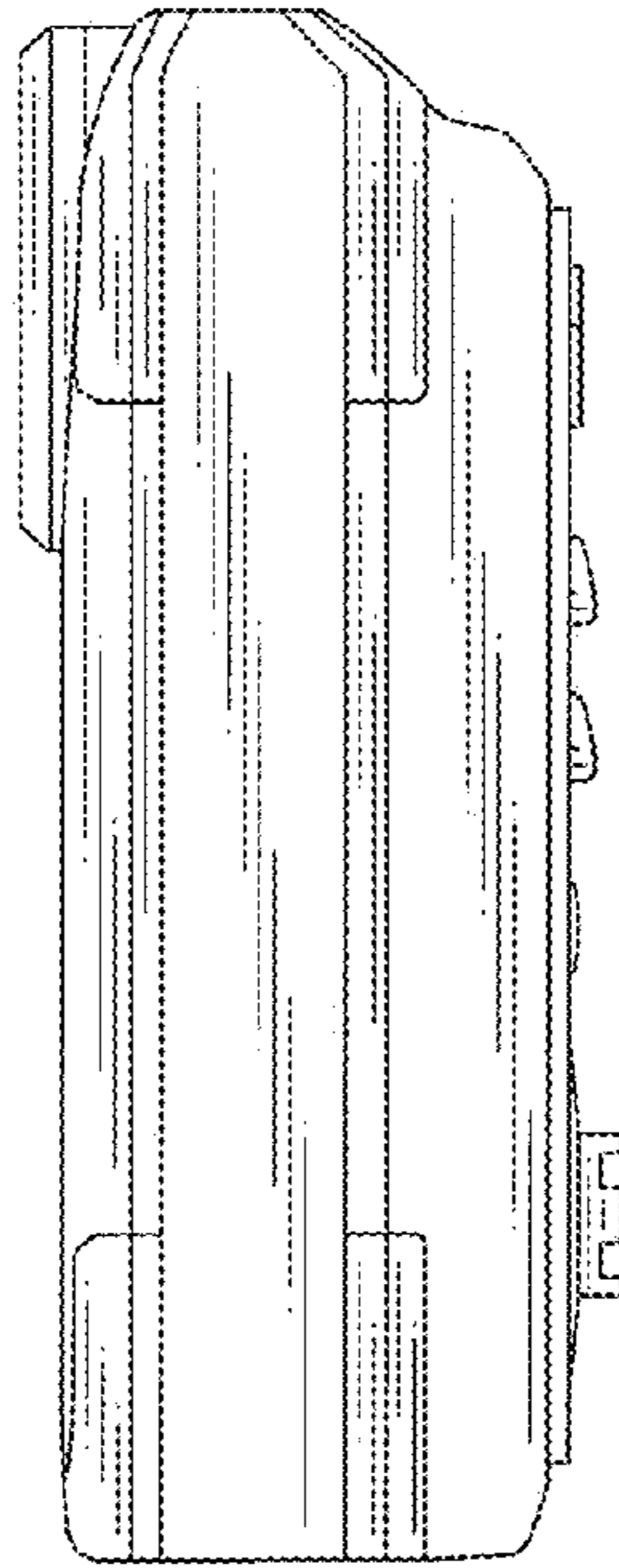


FIG.7

