



US00D683779S

(12) **United States Design Patent**
Uemachi et al.

(10) **Patent No.:** **US D683,779 S**
(45) **Date of Patent:** **** Jun. 4, 2013**

(54) **DIGITAL CAMERA**

(75) Inventors: **Tatsuya Uemachi**, Kanagawa pref. (JP);
Akira Nojima, Tokyo (JP)

(73) Assignee: **Nikon Corporation**, Tokyo (JP)

(**) Term: **14 Years**

(21) Appl. No.: **29/415,415**

(22) Filed: **Mar. 9, 2012**

(30) **Foreign Application Priority Data**

Sep. 20, 2011 (JP) 2011-021482

(51) **LOC (9) Cl.** **16-01**

(52) **U.S. Cl.**
USPC **D16/202; D16/200**

(58) **Field of Classification Search**
USPC . D16/200, 202, 208, 218, 219; 348/373-376;
358/909.1; 396/535, 540, 541
See application file for complete search history.

(56) **References Cited**

U.S. PATENT DOCUMENTS

D524,834 S * 7/2006 Dozier et al. D16/200
D553,657 S * 10/2007 Bai D16/202

D555,689 S * 11/2007 Yoo et al. D16/218
D607,478 S * 1/2010 Tainaka D16/202
D627,814 S * 11/2010 Tzeng et al. D16/202
2006/0139457 A1 * 6/2006 Liao 348/373

* cited by examiner

Primary Examiner — Adir Aronovich

(74) *Attorney, Agent, or Firm* — Wolf, Greenfield & Sacks,
P.C.

(57) **CLAIM**

The ornamental design for a digital camera, as shown and described.

DESCRIPTION

FIG. 1 is a front perspective view of a digital camera showing our new design;

FIG. 2 is a rear perspective view thereof;

FIG. 3 is a front elevational view thereof;

FIG. 4 is a rear elevational view thereof;

FIG. 5 is a top plan view thereof;

FIG. 6 is a bottom plan view thereof;

FIG. 7 is a right side elevational view thereof; and,

FIG. 8 is a left side elevational view thereof.

The features shown in broken lines in the drawings depict environmental subject matter only and form no part of the claimed design.

1 Claim, 6 Drawing Sheets

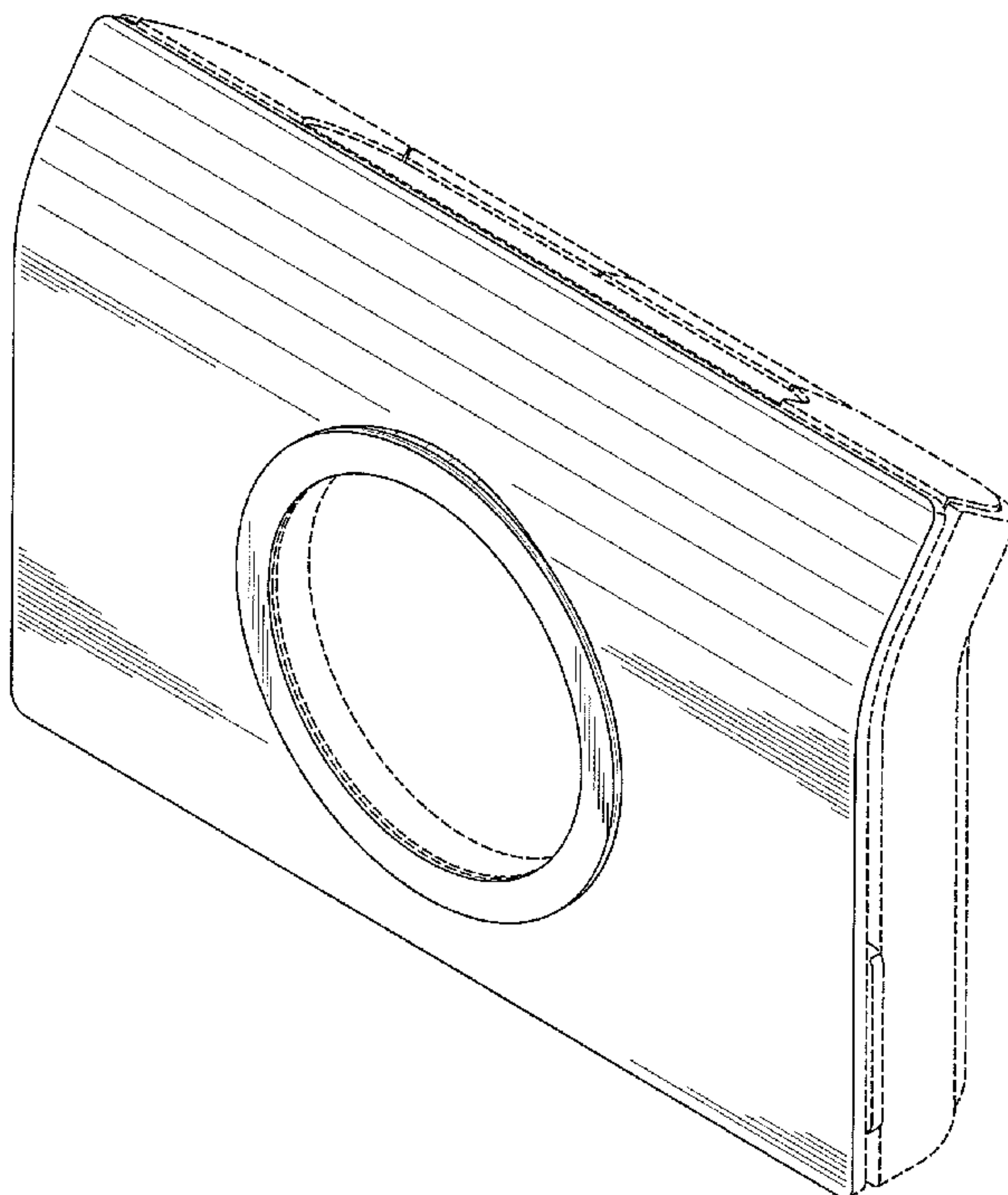


FIG. 1

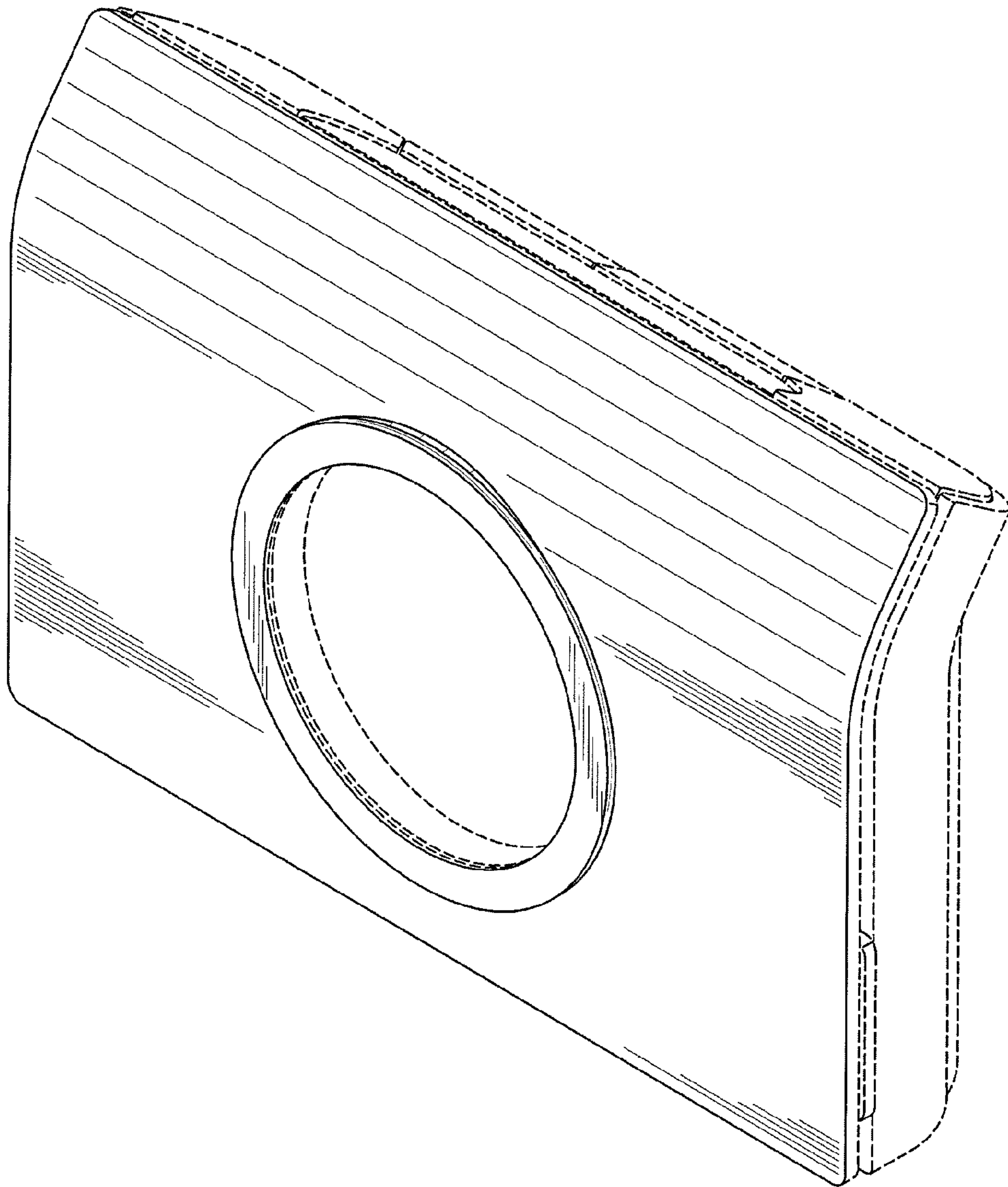


FIG. 2

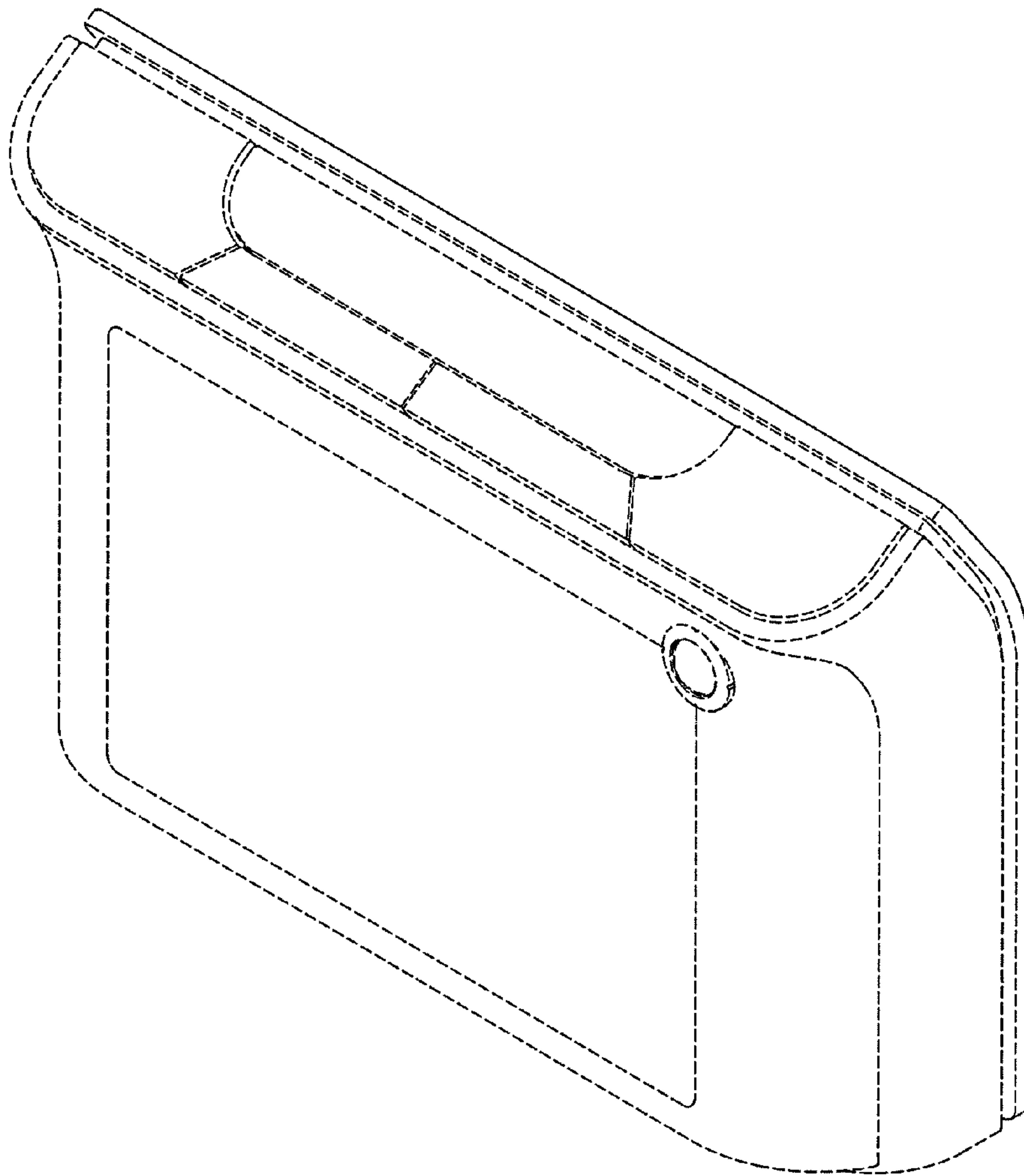


FIG. 3

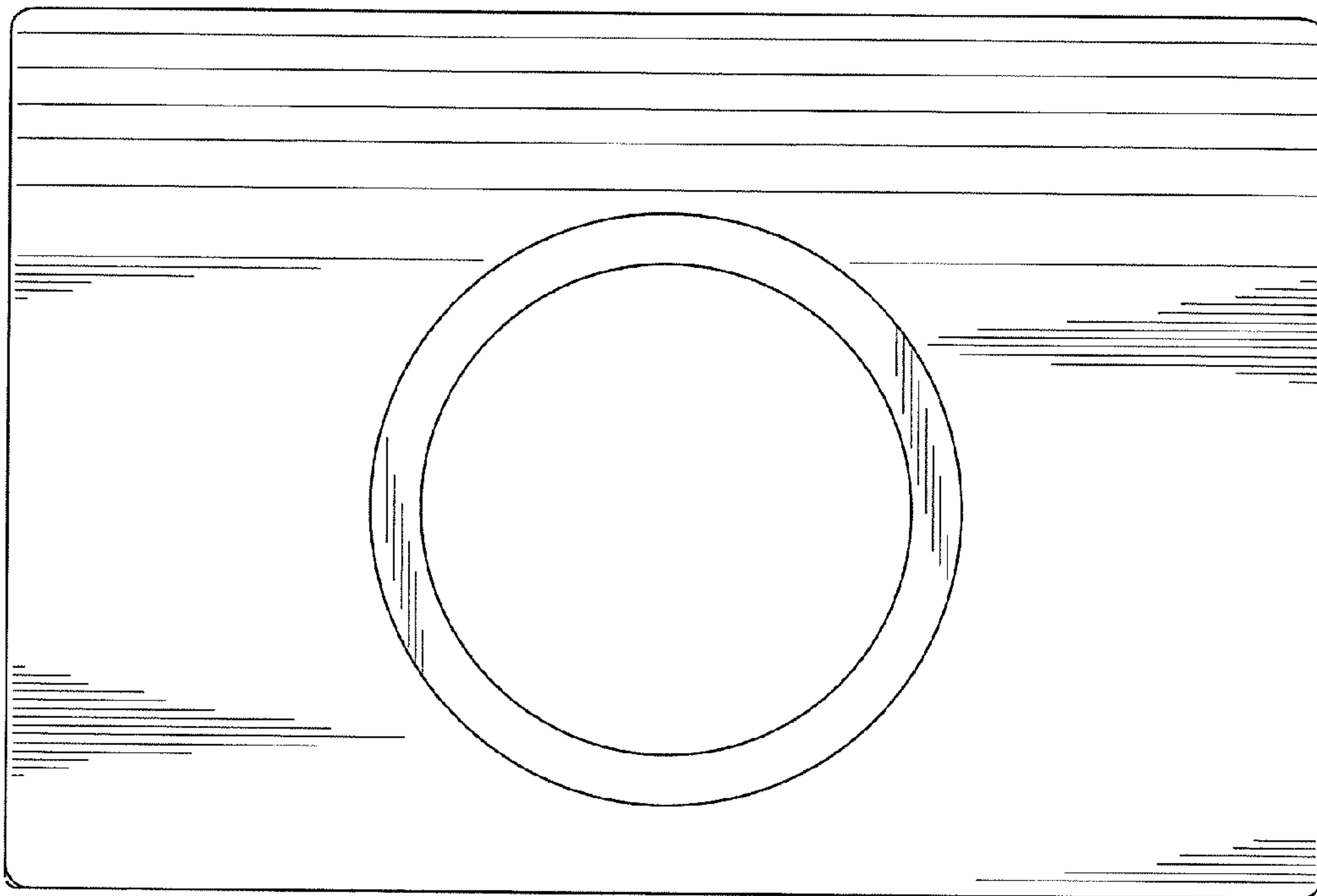


FIG. 4

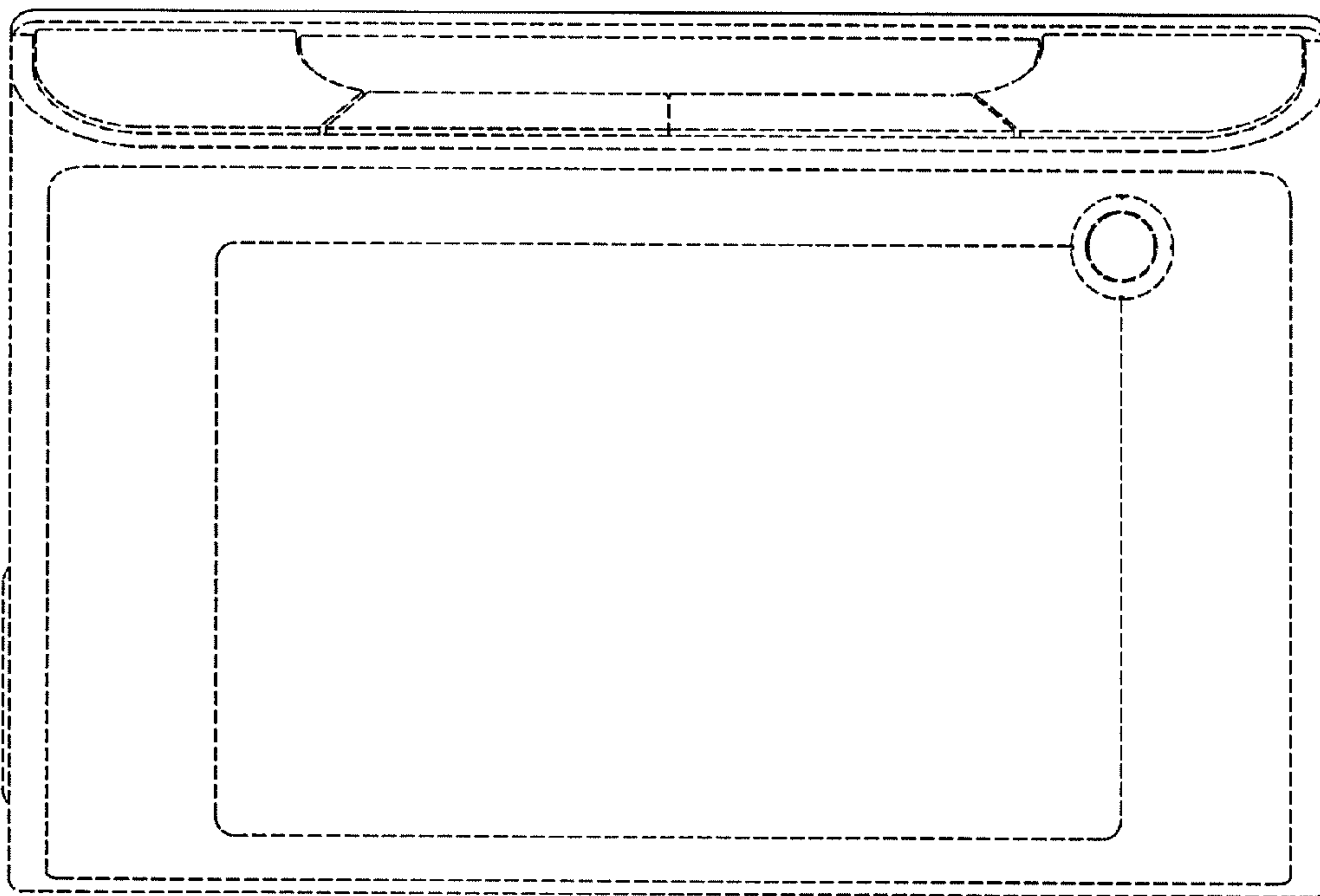


FIG. 5

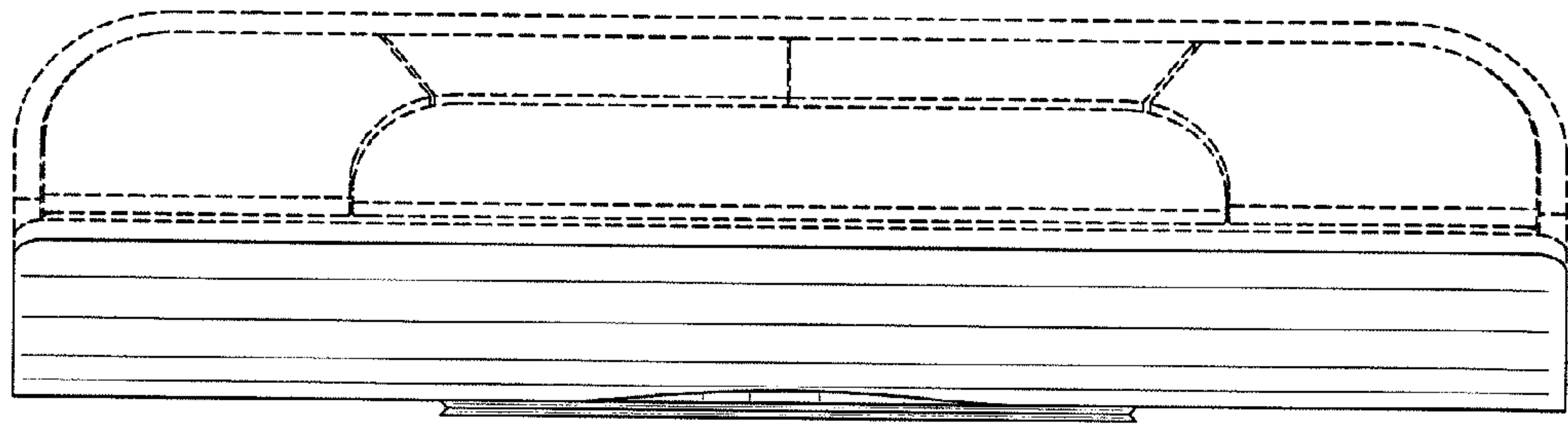


FIG. 6

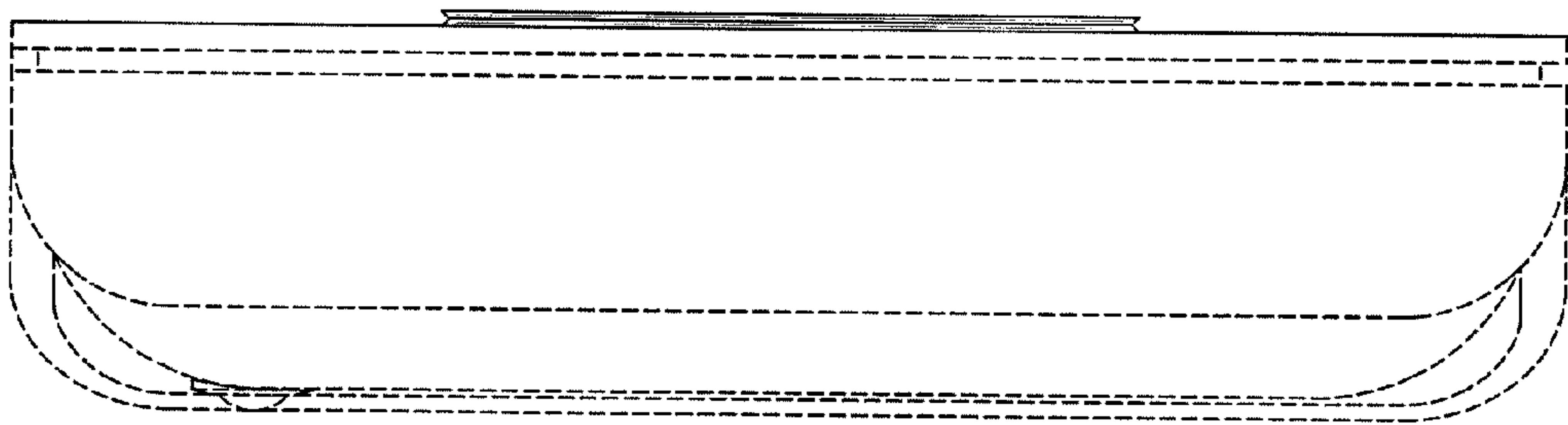


FIG. 7

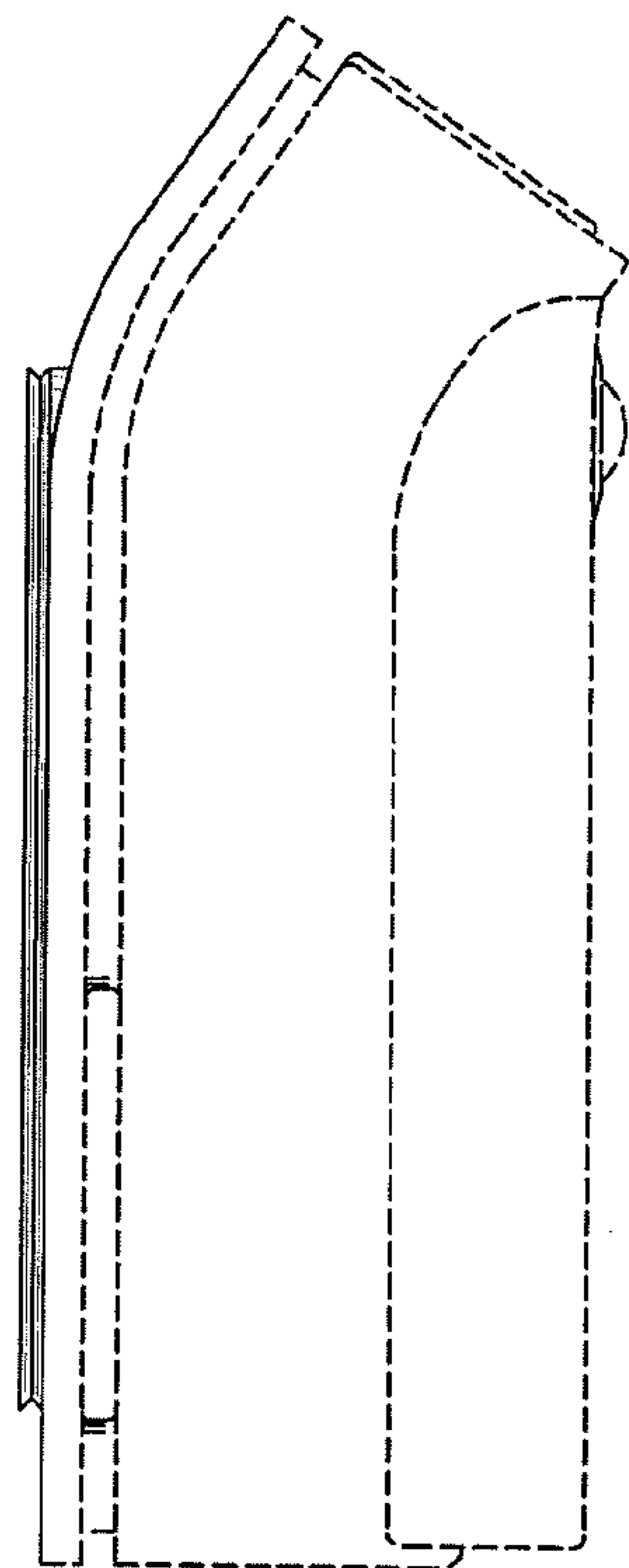


FIG. 8

