



US00D683778S

(12) **United States Design Patent**  
**Hicks**

(10) **Patent No.:** **US D683,778 S**

(45) **Date of Patent:** **\*\* Jun. 4, 2013**

(54) **REST FOR BINOCULARS**

(75) **Inventor:** **Kim Melvin Hicks**, Fredericksburg, TX (US)

(73) **Assignee:** **Real Hicks Properties, LLC**, Fredericksburg, TX (US)

(\*\*) **Term:** **14 Years**

(21) **Appl. No.:** **29/415,389**

(22) **Filed:** **Mar. 9, 2012**

(51) **LOC (9) Cl.** ..... **16-06**

(52) **U.S. Cl.**  
USPC ..... **D16/136; D16/133**

(58) **Field of Classification Search**  
USPC ..... D16/130, 133, 136, 214, 219, 242, D16/245; D3/267, 266; 248/178.1, 187.1, 248/205.2, 177.1; 206/316.1, 316.3; 403/299; 359/404, 407, 408, 409, 413, 417, 429  
See application file for complete search history.

(56) **References Cited**

**U.S. PATENT DOCUMENTS**

2,436,576 A 2/1948 Kende et al.  
2,444,453 A \* 7/1948 Larson ..... 359/413

(Continued)

**OTHER PUBLICATIONS**

Leica Camera AG, "Leica Camera AG—Sport Optics—Tripod Adapter," obtained from [http://en.leica-camera.com/sport\\_optics/duovid\\_binoculars/accessories/3780.html](http://en.leica-camera.com/sport_optics/duovid_binoculars/accessories/3780.html), generated Jan. 6, 2012.

(Continued)

*Primary Examiner* — Paula Greene

(74) *Attorney, Agent, or Firm* — Wong, Cabello, Lutsch, Rutherford & Brucculeri, LLP

(57) **CLAIM**

The ornamental design for a rest for binoculars, as shown and described.

**DESCRIPTION**

FIG. 1 is a perspective view showing a top, a front, and a left of my new design for a rest for binoculars, wherein the rest is shown with a strap extending from a right side of a base and attached to a left side of the base.

FIG. 2 is another perspective view showing the top and the front of the rest, wherein the rest is shown with the strap extending from the right side of the base and attached to the left side of the base.

FIG. 3 is another perspective view showing a bottom, a back, and a right of the rest, wherein the rest is shown with the strap in a different position.

FIG. 4 is a plan view showing the top of the rest, wherein the rest is shown with the strap extending outward from the right side of the base.

FIG. 5 is a plan view showing the bottom of the rest, wherein the rest is shown with the strap extending outward from the right side of the base.

FIG. 6 is an elevation view showing the front of the rest, wherein the rest is shown with the strap extending outward from the right side of the base.

FIG. 7 is an elevation view showing the back of the rest, wherein the rest is shown with the strap extending outward from the right side of the base.

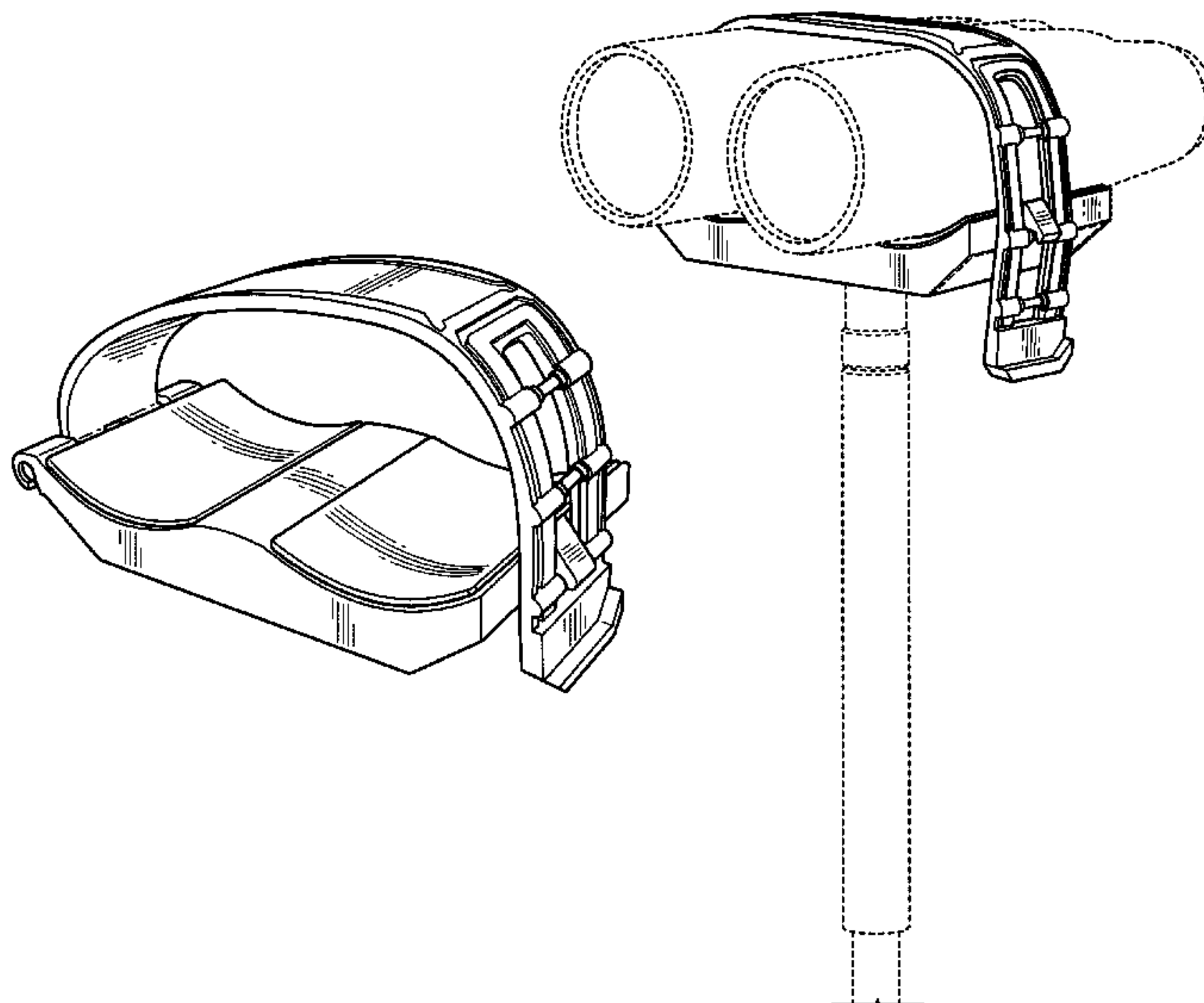
FIG. 8 is an elevation view showing the left of the rest.

FIG. 9 is an elevation view of the right of the rest, wherein the rest is shown with the strap extending outward from the right side of the base; and,

FIG. 10 is a perspective view of the rest supporting binoculars and disposed on a stand.

The broken line showing of a pin in FIGS. 3 and 8-9 and of binoculars and a stand in FIG. 10 are for illustrative purposes only and form no part of the claimed design. The broken ones immediately adjacent to the shaded areas in FIGS. 3, 5, and 8-10 represent unclaimed boundaries of the design.

**1 Claim, 5 Drawing Sheets**



# US D683,778 S

Page 2

---

## U.S. PATENT DOCUMENTS

3,281,106 A \* 10/1966 Bogdanovich ..... 248/314  
4,557,451 A 12/1985 Conway  
D336,777 S \* 6/1993 Ratzlaff ..... D3/267  
5,221,991 A 6/1993 Webster  
D344,967 S \* 3/1994 Webster ..... D16/136  
D378,682 S 4/1997 Coley et al.  
5,936,766 A \* 8/1999 Speicher ..... 359/409  
5,938,155 A 8/1999 Garland  
6,021,983 A 2/2000 Congdon

6,460,815 B1 10/2002 Thaler  
D589,999 S \* 4/2009 Ollila ..... D16/242  
8,264,771 B2 \* 9/2012 Yamamoto ..... 359/409

## OTHER PUBLICATIONS

Company Seven. "Leica Binocular Tripod Adapter PN 42220,"  
obtained from [http://www.company7.com/leica/accessories/  
tripodad42220.html](http://www.company7.com/leica/accessories/tripodad42220.html), generated Mar. 9, 2012, copyright 2009.

\* cited by examiner

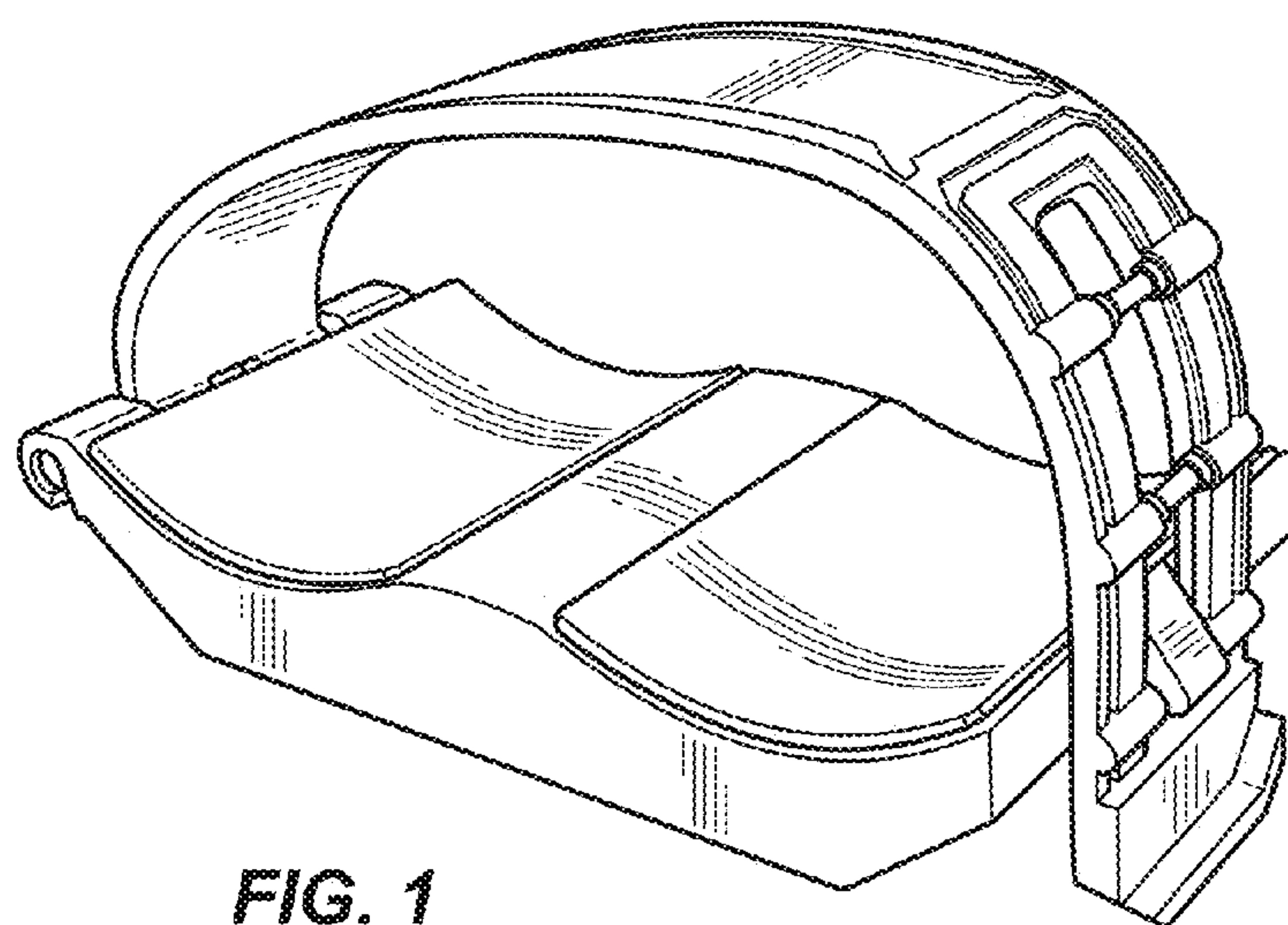


FIG. 1

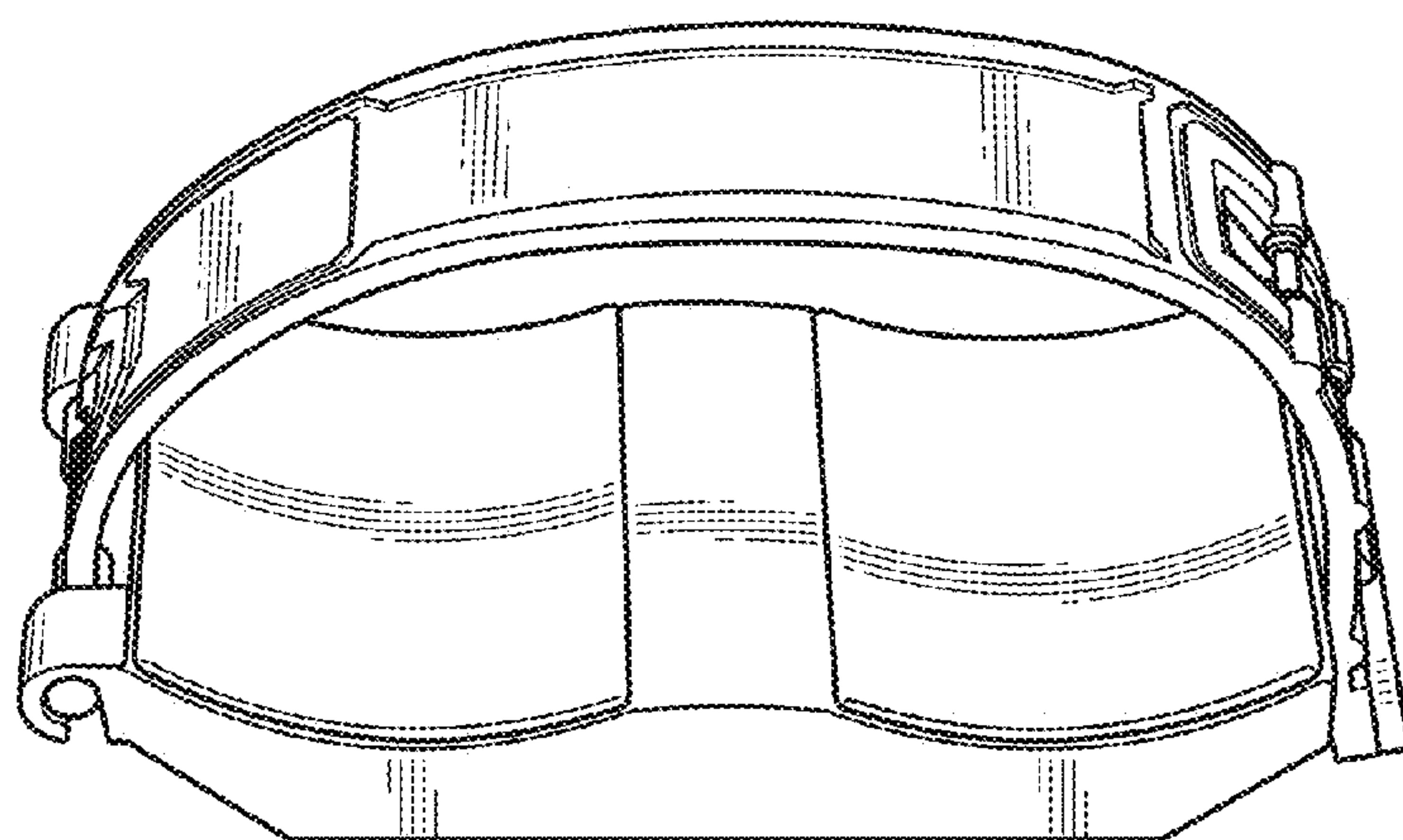


FIG. 2

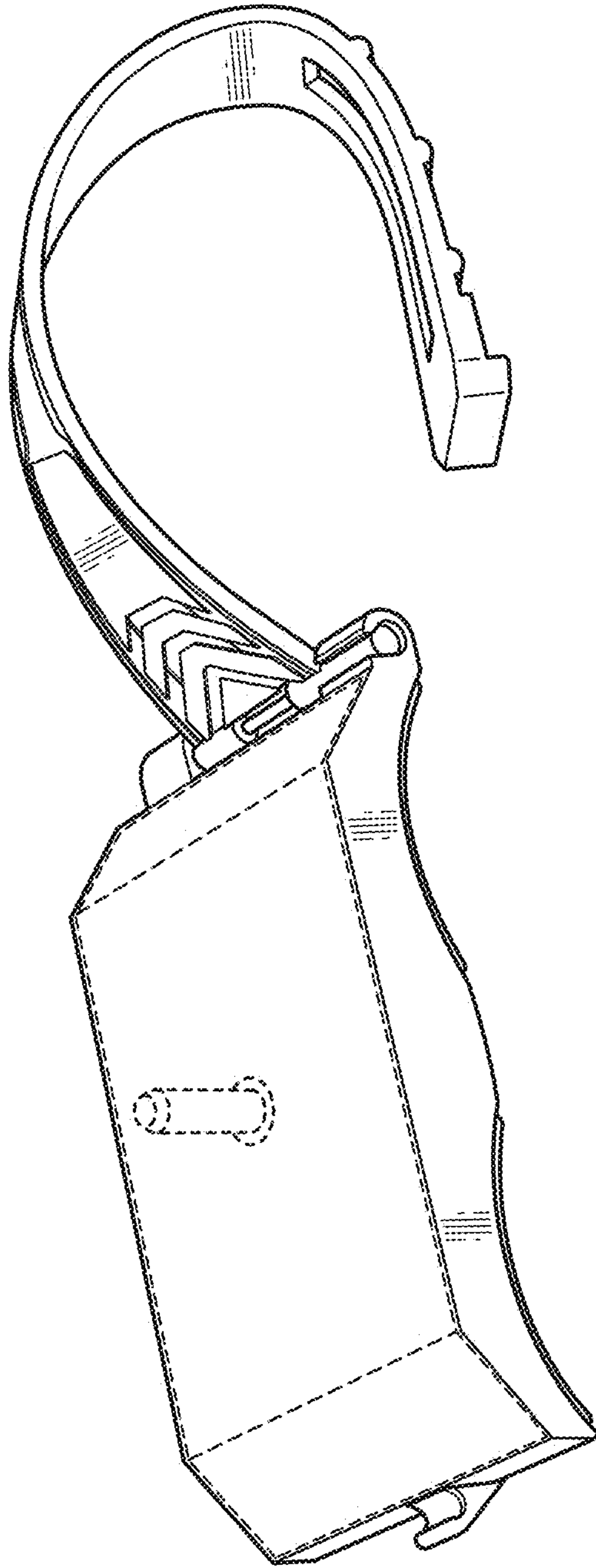


FIG. 3



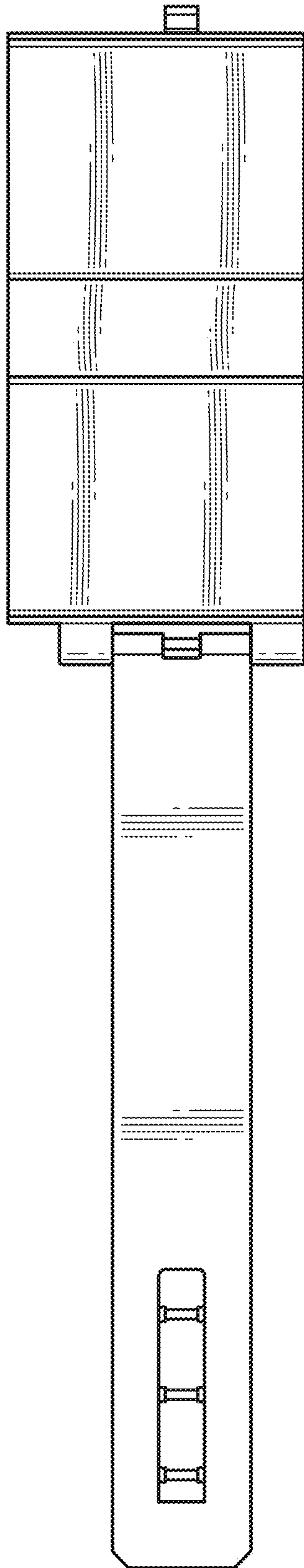


FIG. 4

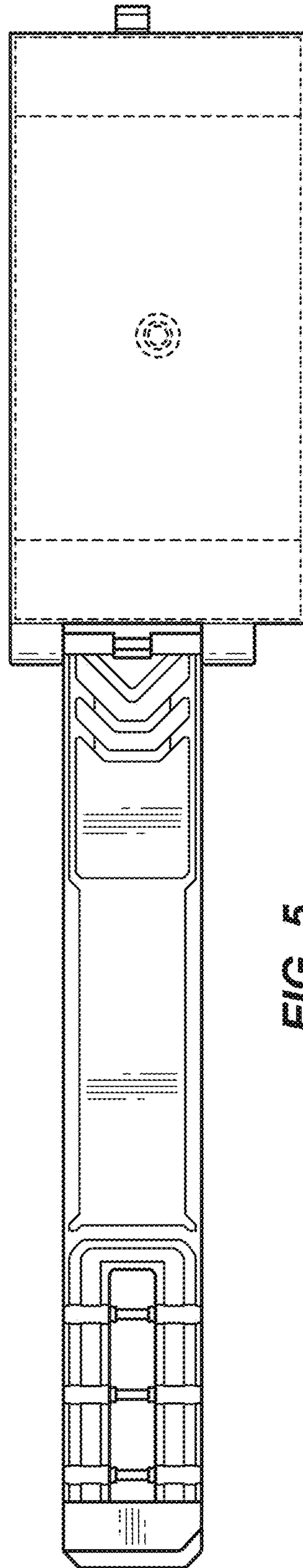


FIG. 5

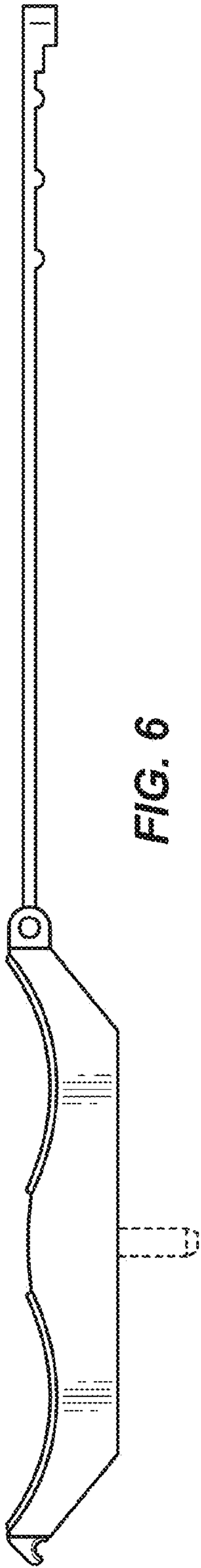


FIG. 6

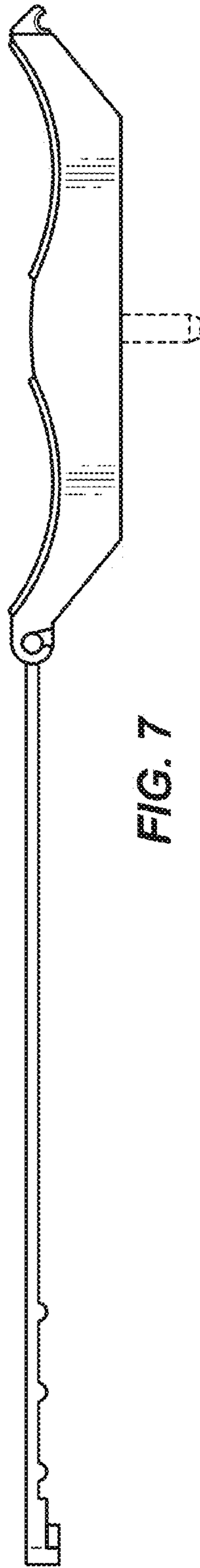


FIG. 7

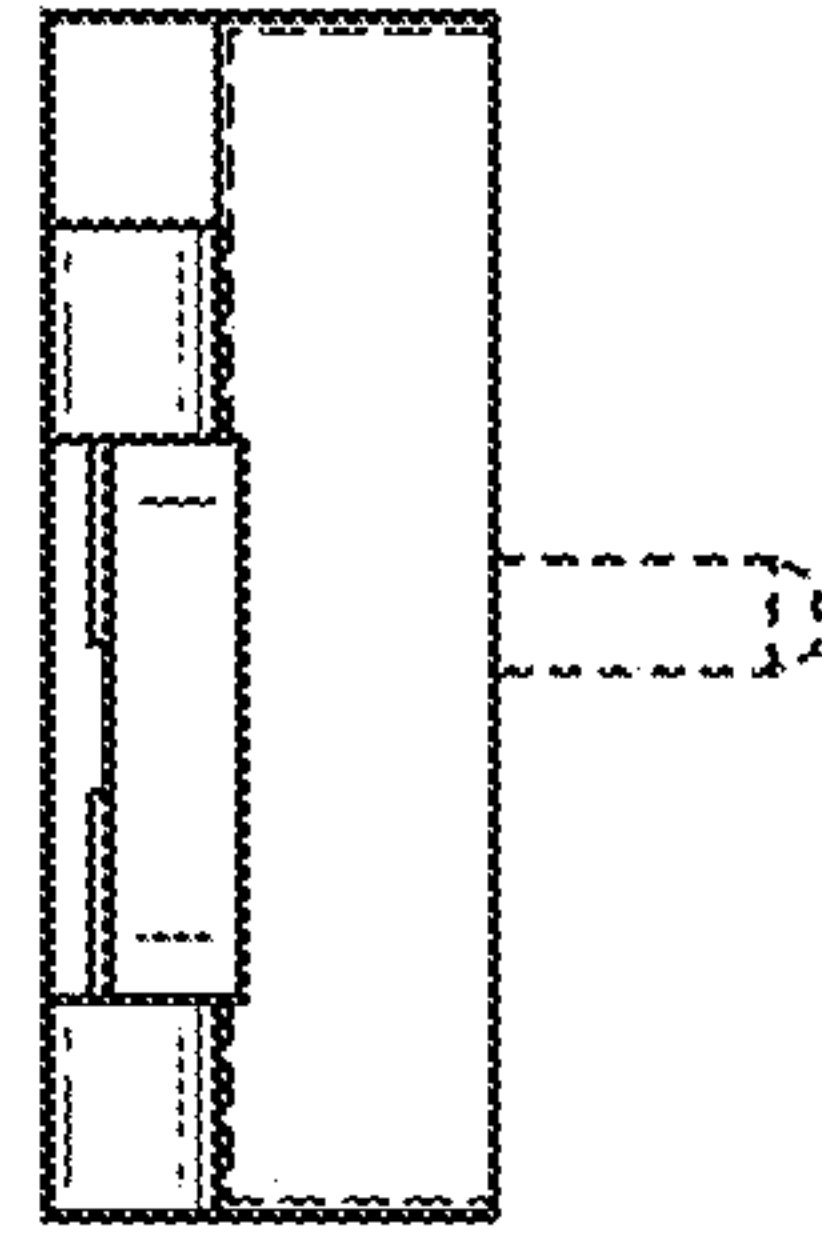


FIG. 9

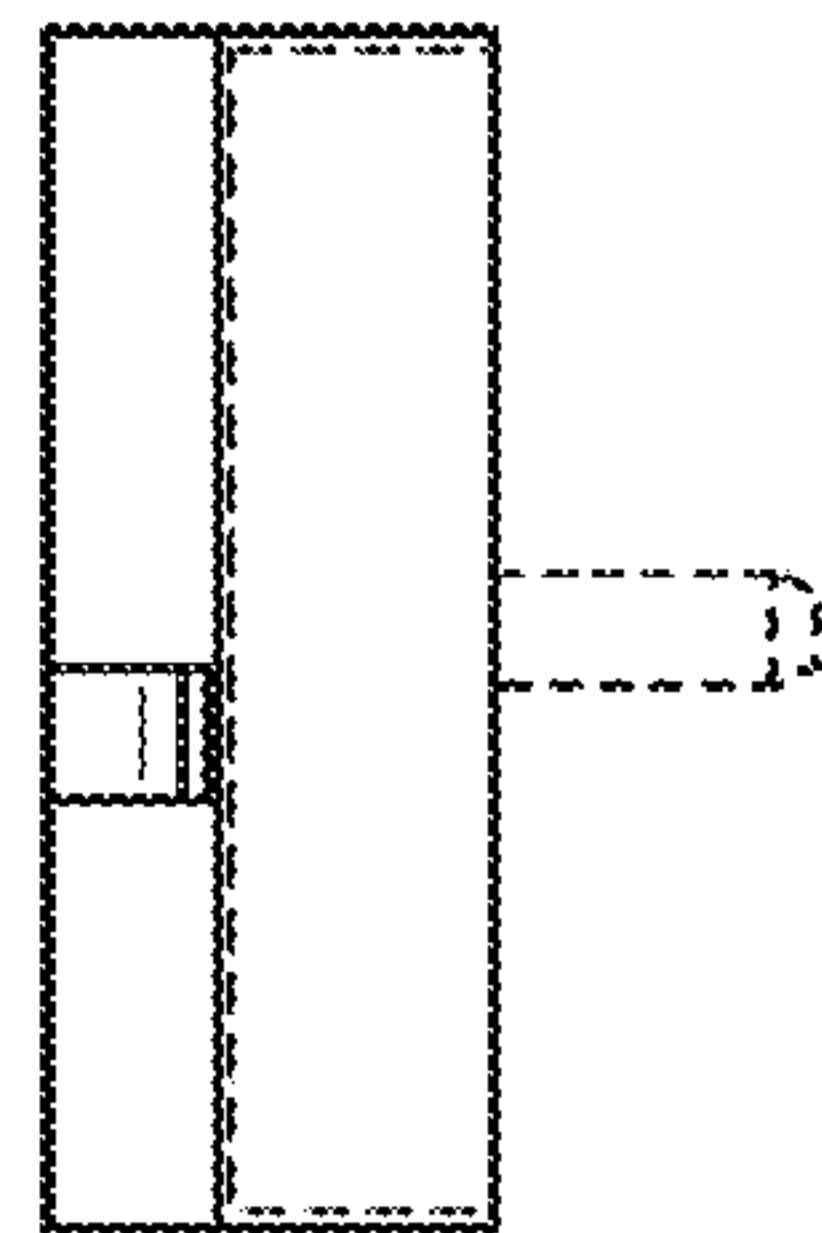


FIG. 8

