



US00D683777S

(12) **United States Design Patent**
Forbis et al.

(10) **Patent No.:** **US D683,777 S**
(45) **Date of Patent:** **** Jun. 4, 2013**

(54) **OIL DRAIN PAN**

(71) Applicant: **Hopkins Manufacturing Corporation,**
Emporia, KS (US)

(72) Inventors: **Charlie Forbis,** Quapaw, OK (US);
Daniel D. Eisenbrandt, III, Oswego,
KS (US)

(73) Assignee: **Hopkins Manufacturing Corporation,**
Emporia, KS (US)

(**) Term: **14 Years**

(21) Appl. No.: **29/437,595**

(22) Filed: **Nov. 19, 2012**

(51) **LOC (9) Cl.** **15-99**

(52) **U.S. Cl.**
USPC **D15/150**

(58) **Field of Classification Search**
USPC D15/150-152; D24/123; 4/450; 184/1.5,
184/29, 36, 42, 45.1, 55.1, 105.1, 106; 222/254,
222/256, 258, 359, 385, 389, 628; 280/32.6,
280/79.1 A; 417/417
See application file for complete search history.

(56) **References Cited**

U.S. PATENT DOCUMENTS

4,632,268 A * 12/1986 Melzi et al. 220/573
D331,791 S * 12/1992 Ferguson D23/202
D353,151 S * 12/1994 Poirier D15/150

5,503,246 A * 4/1996 Raboin et al. 184/1.5
6,874,549 B1 * 4/2005 Williams 141/98
7,637,337 B2 * 12/2009 Stranges 180/69.1
D623,198 S * 9/2010 Lai D15/5
D637,636 S * 5/2011 Liao D15/150
D641,385 S * 7/2011 Armstrong D15/150
8,069,834 B2 * 12/2011 Riedel et al. 123/196 R
8,109,364 B2 * 2/2012 Phillips et al. 184/1.5
D661,328 S * 6/2012 Liao D15/152
D670,377 S * 11/2012 Adams D24/123
2002/0100641 A1 * 8/2002 Osman 184/106
2006/0253968 A1 * 11/2006 Mosler et al. 4/450
2009/0151690 A1 * 6/2009 Sugiyama 123/195 C

* cited by examiner

Primary Examiner — Patricia Palasik

(74) *Attorney, Agent, or Firm* — George R. McGuire; Bond
Schoeneck & King, PLLC

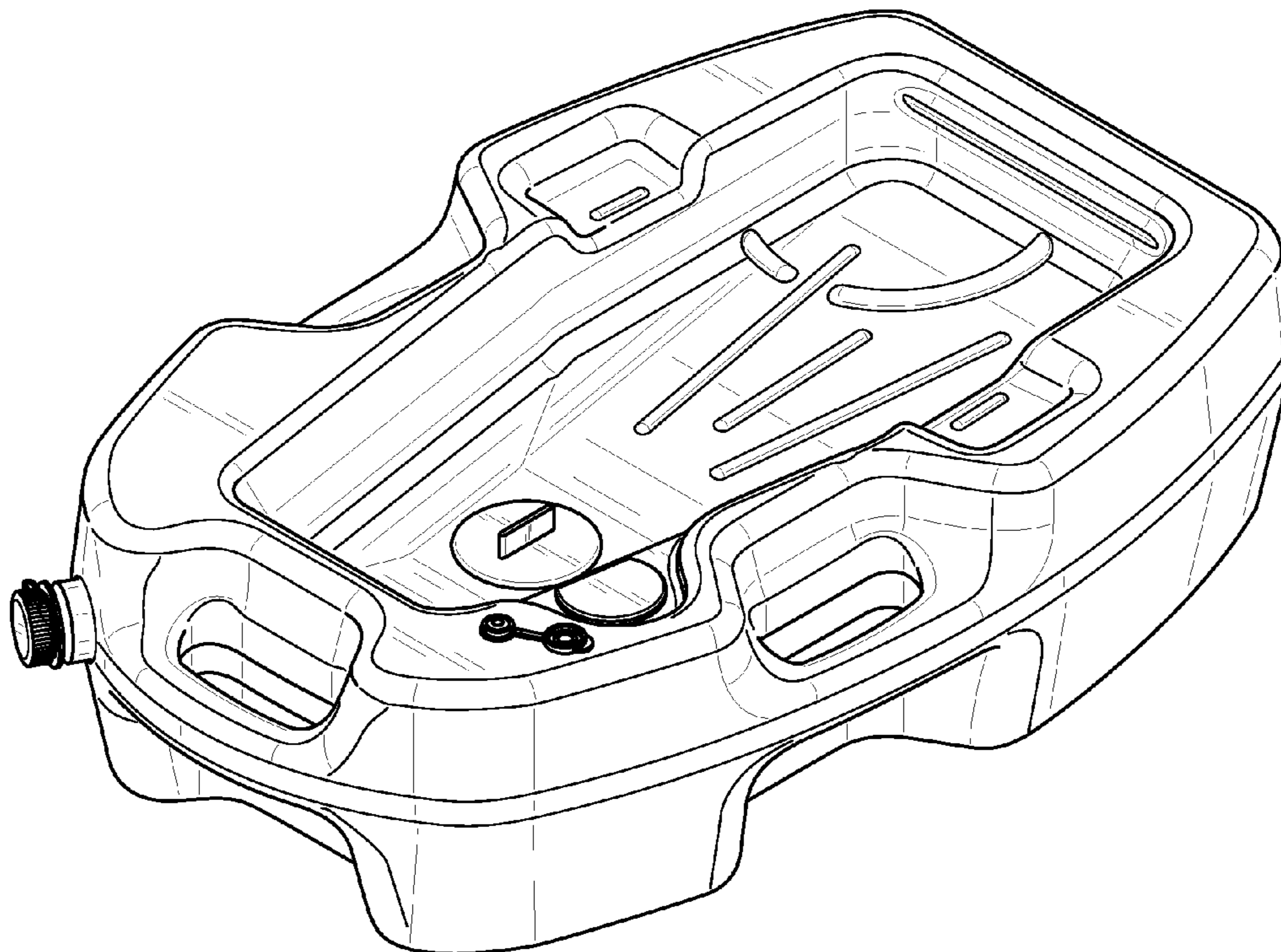
(57) **CLAIM**

The ornamental design for an oil drain pan, as shown and
described.

DESCRIPTION

FIG. 1 is a perspective view of an oil drain pan;
FIG. 2 is a front elevation view thereof;
FIG. 3 is a rear elevation view thereof;
FIG. 4 is a first side elevation view thereof;
FIG. 5 is a second side elevation view thereof;
FIG. 6 is a top plan view thereof; and,
FIG. 7 is a bottom plan view thereof.
The broken lines in the drawings depict unclaimed environ-
mental subject matter.

1 Claim, 5 Drawing Sheets



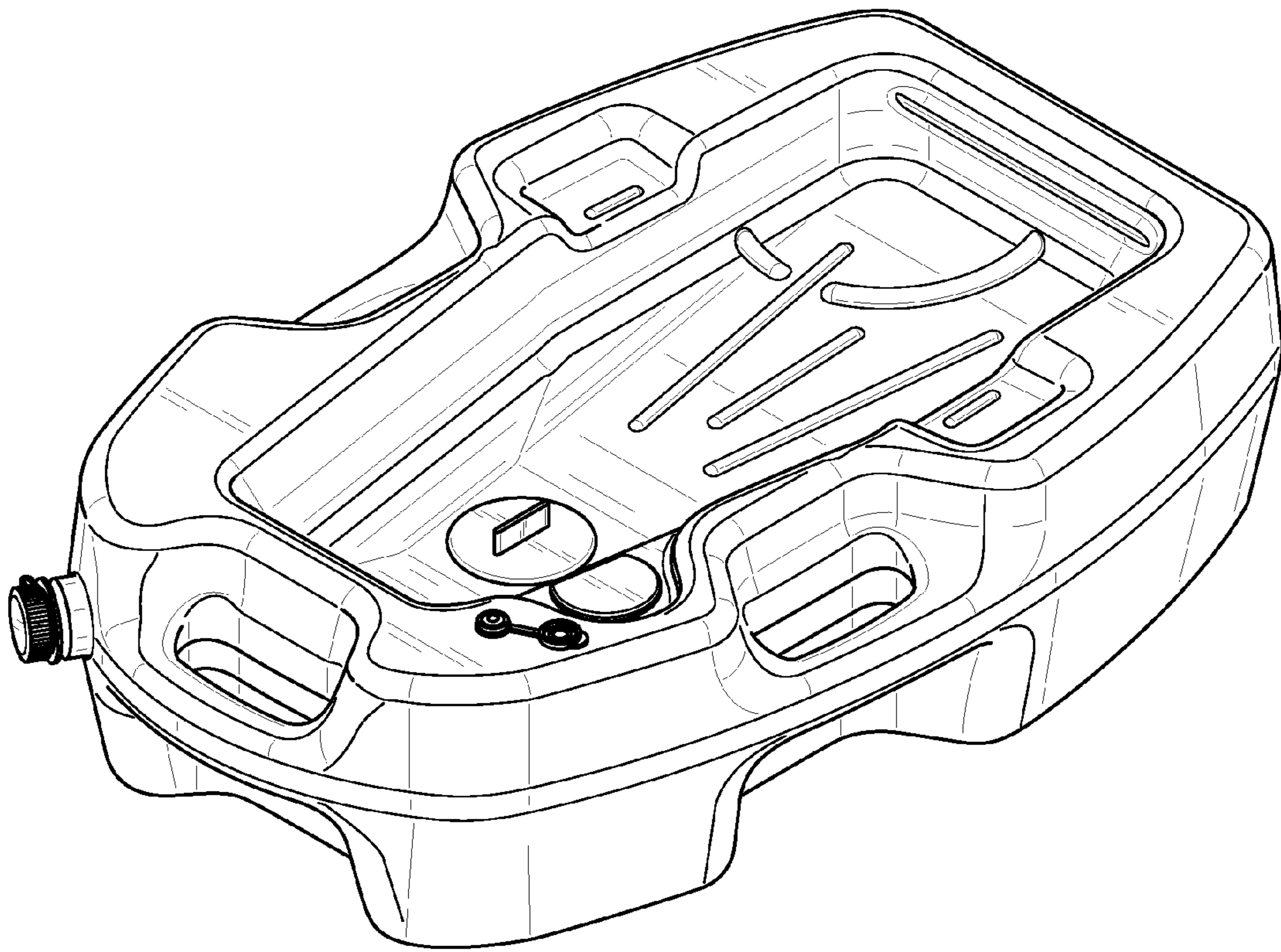


FIG. 1

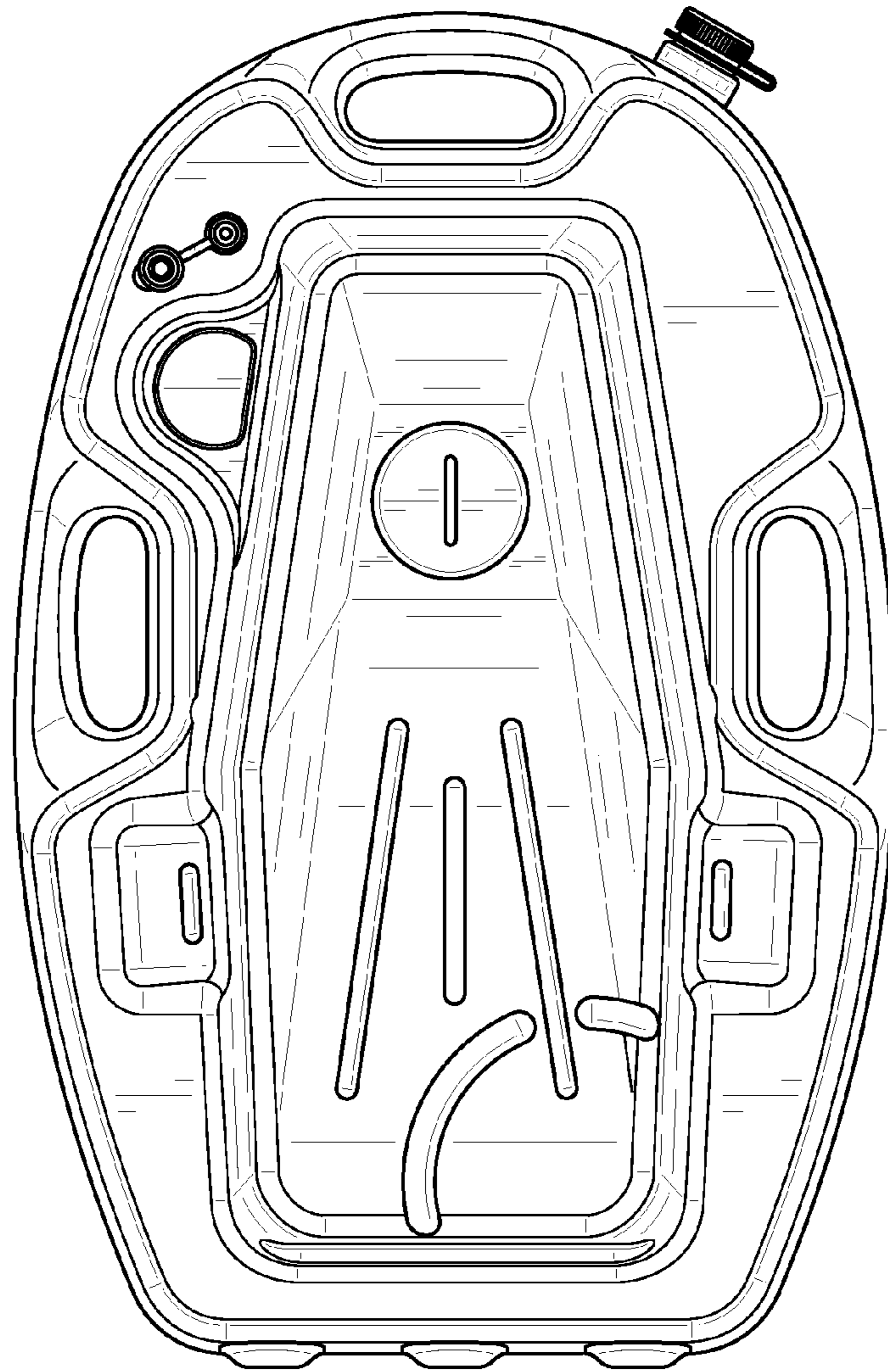


FIG. 2

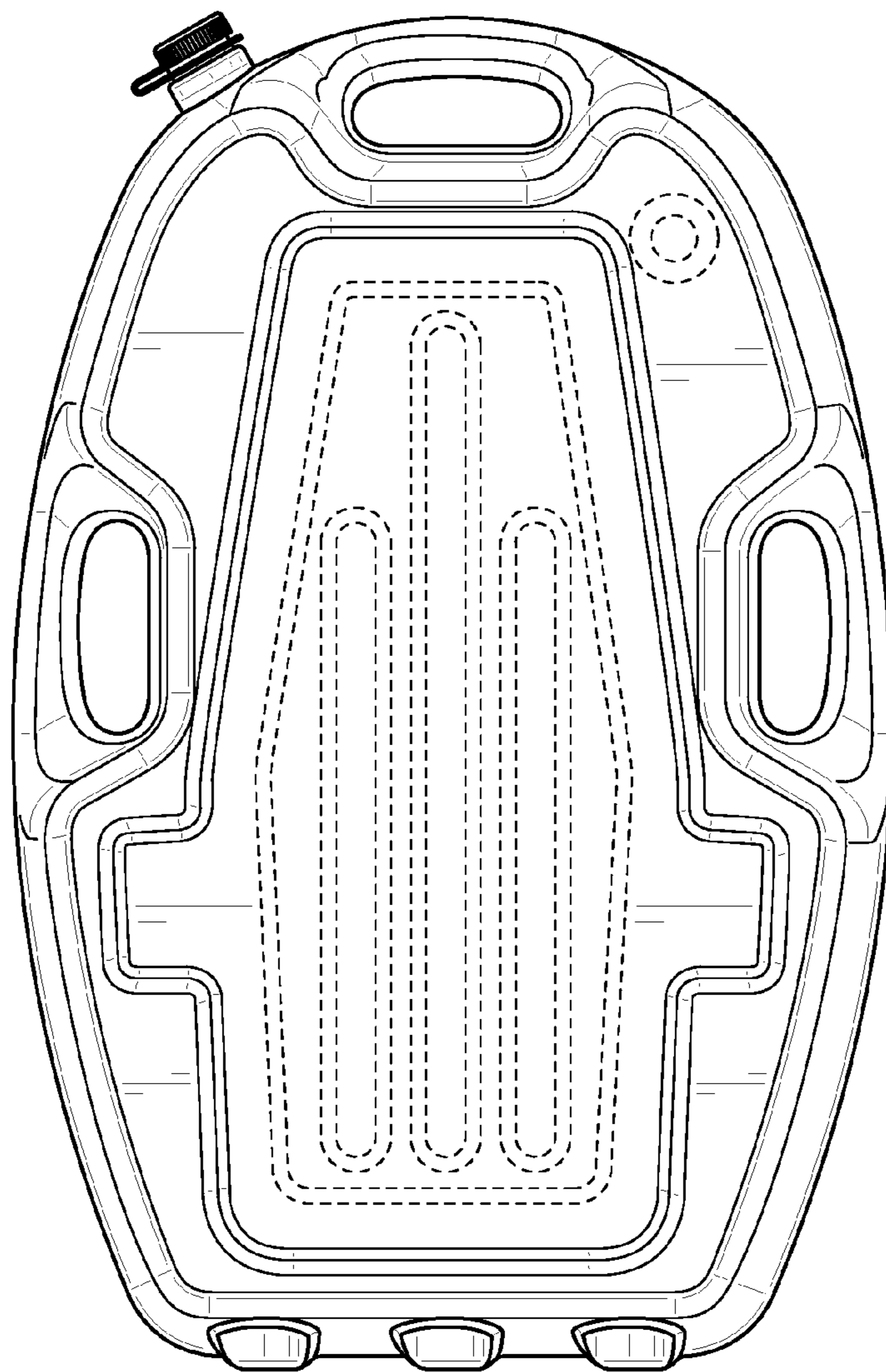


FIG. 3

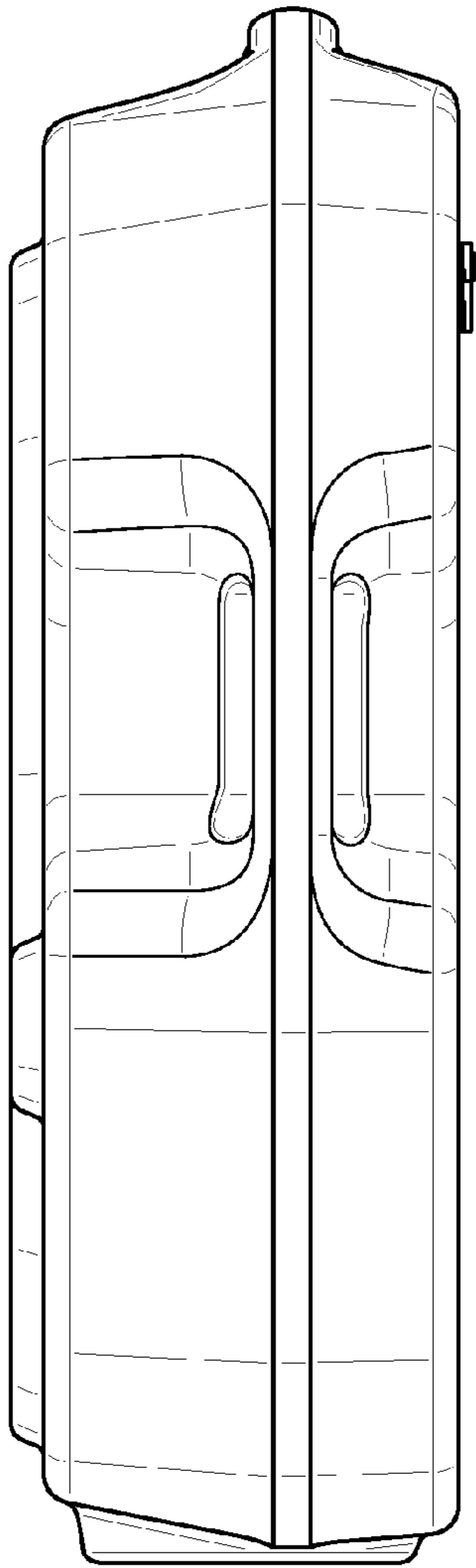


FIG. 4

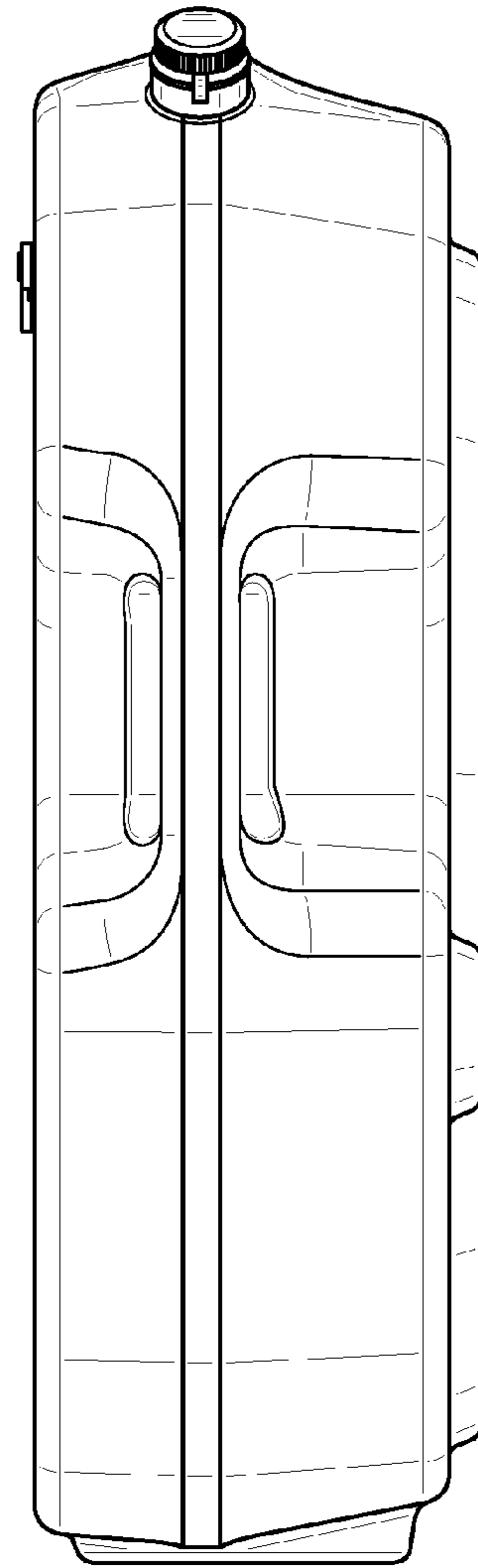


FIG. 5

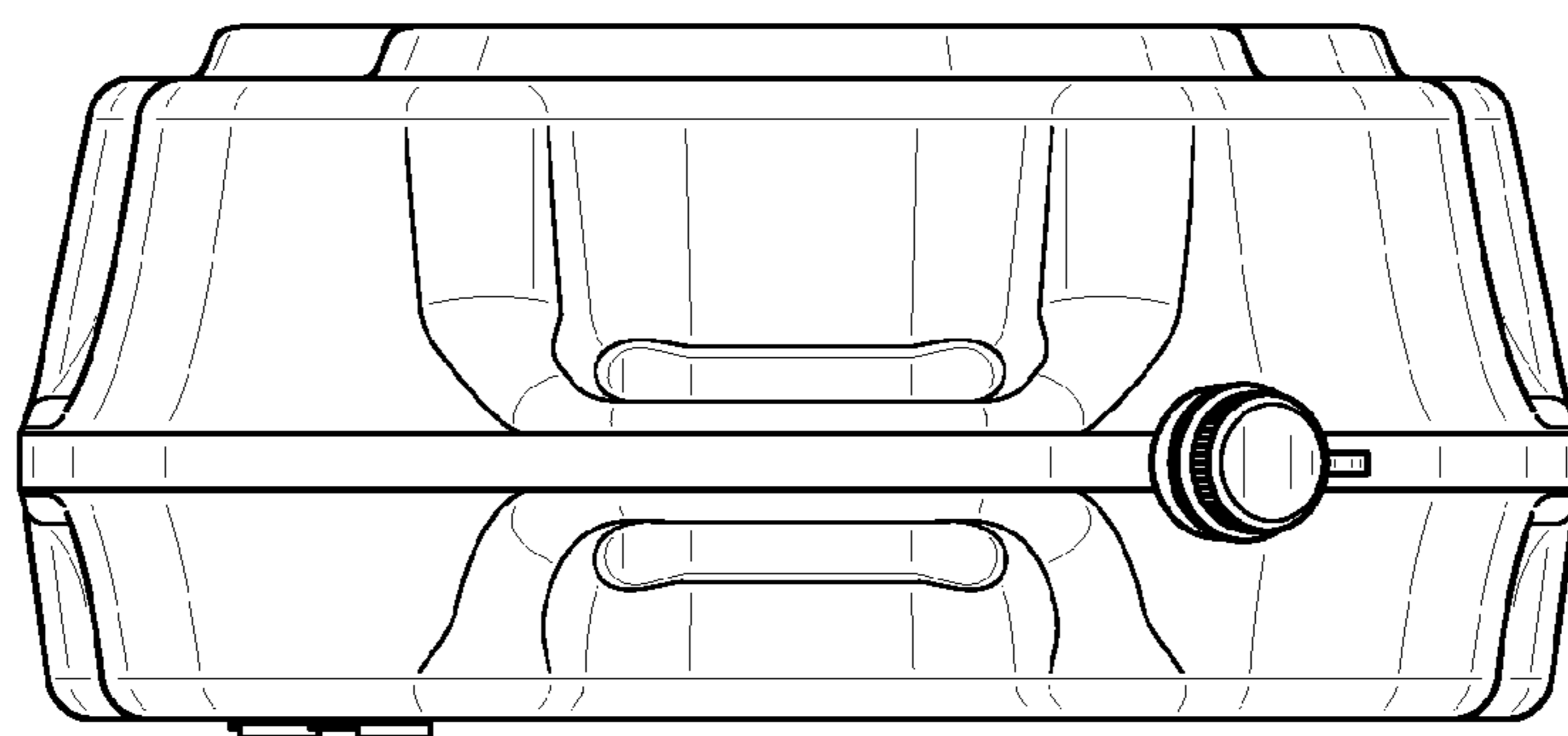


FIG. 6

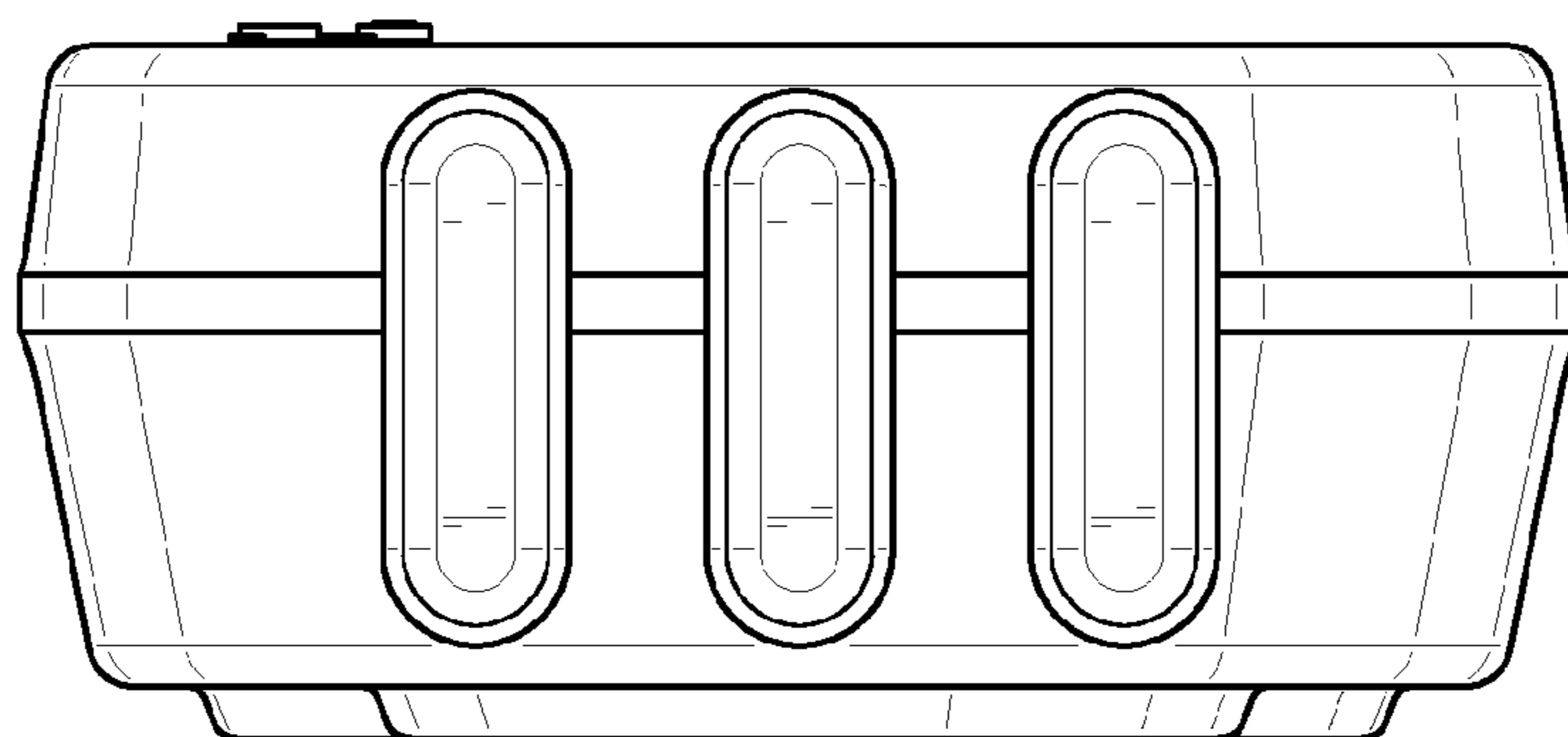


FIG. 7