



US00D683776S

(12) **United States Design Patent**
Cho et al.

(10) **Patent No.:** **US D683,776 S**
(45) **Date of Patent:** **** Jun. 4, 2013**

(54) **SPEED REDUCER BASE**
(75) Inventors: **Ming-Hsien Cho**, Kaohsiung (TW);
Chiung-Wen Lu, Kaohsiung (TW);
Chen-Chia Chen, Kaohsiung (TW)

D416,922 S * 11/1999 Lannoch D15/148
D437,334 S * 2/2001 Song D15/148
D571,837 S * 6/2008 Lannoch D15/148
D654,092 S * 2/2012 Lugli et al. D15/5

* cited by examiner

(73) Assignee: **Jen Wu Machinery Co., Ltd.**,
Kaohsiung (TW)

Primary Examiner — Patricia Palasik
(74) *Attorney, Agent, or Firm* — Ladas & Parry LLP

(**) Term: **14 Years**

(57) **CLAIM**

(21) Appl. No.: **29/411,946**

The ornamental design for speed reducer base, as shown and described.

(22) Filed: **Jan. 27, 2012**

(51) **LOC (9) Cl.** **15-99**

DESCRIPTION

(52) **U.S. Cl.**
USPC **D15/149**

(58) **Field of Classification Search**
USPC D15/5, 148, 149, 199; 74/395, 464;
280/5.5–5.524; 427/249.19; 428/408; 475/83,
475/331–335, 344, 345, 901
See application file for complete search history.

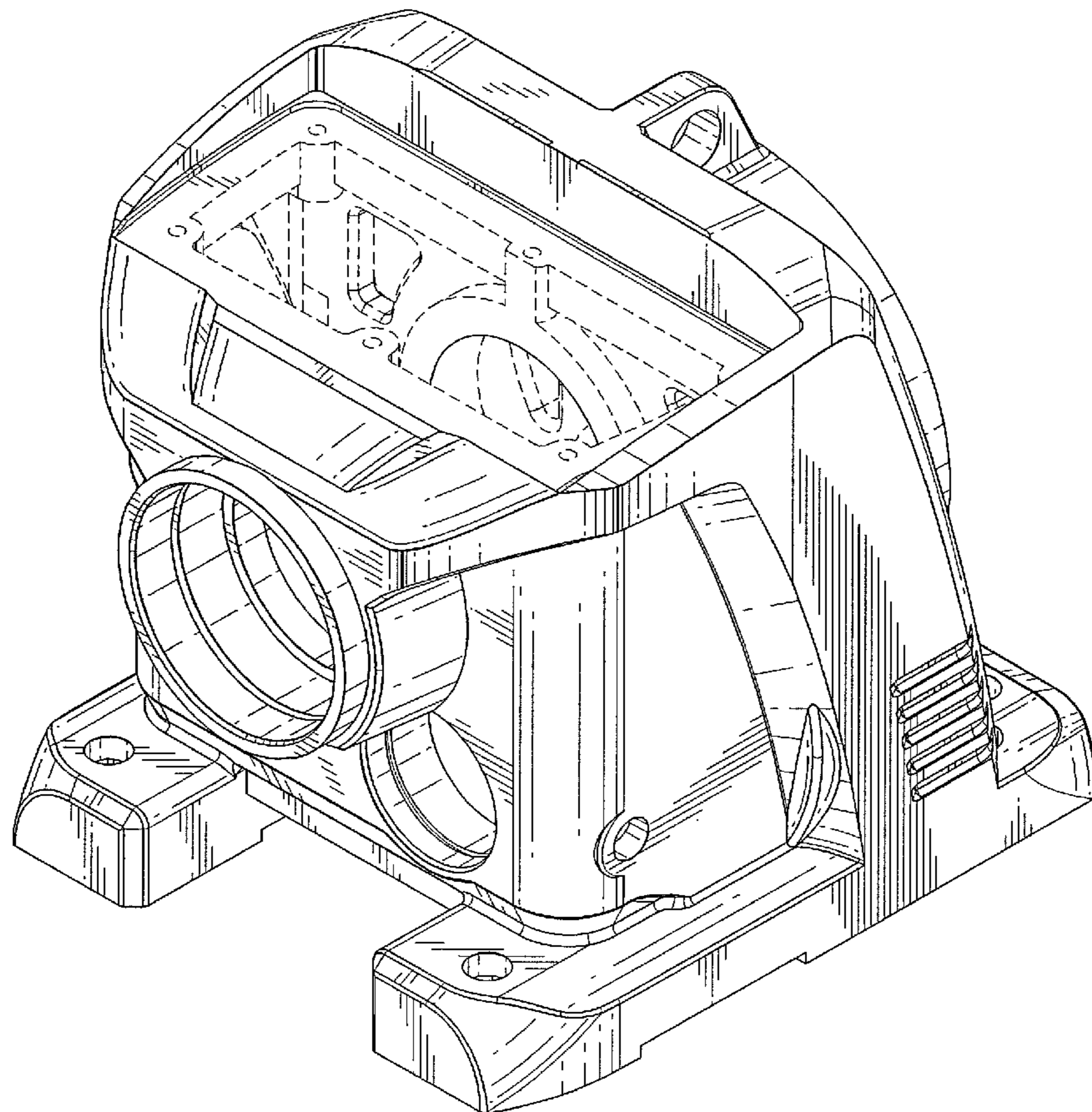
FIG. 1 is a perspective view of speed reducer base showing our new design;
FIG. 2 is a front elevational view thereof;
FIG. 3 is a rear elevational view thereof;
FIG. 4 is a left side elevational view thereof;
FIG. 5 is a right side elevational view thereof;
FIG. 6 is a top plan view thereof; and,
FIG. 7 is a bottom plan view thereof.
The portions shown in dashed lines do not form part of the design.

(56) **References Cited**

U.S. PATENT DOCUMENTS

D278,824 S * 5/1985 Votaw D15/149
D368,919 S * 4/1996 Lannoch D15/148

1 Claim, 7 Drawing Sheets



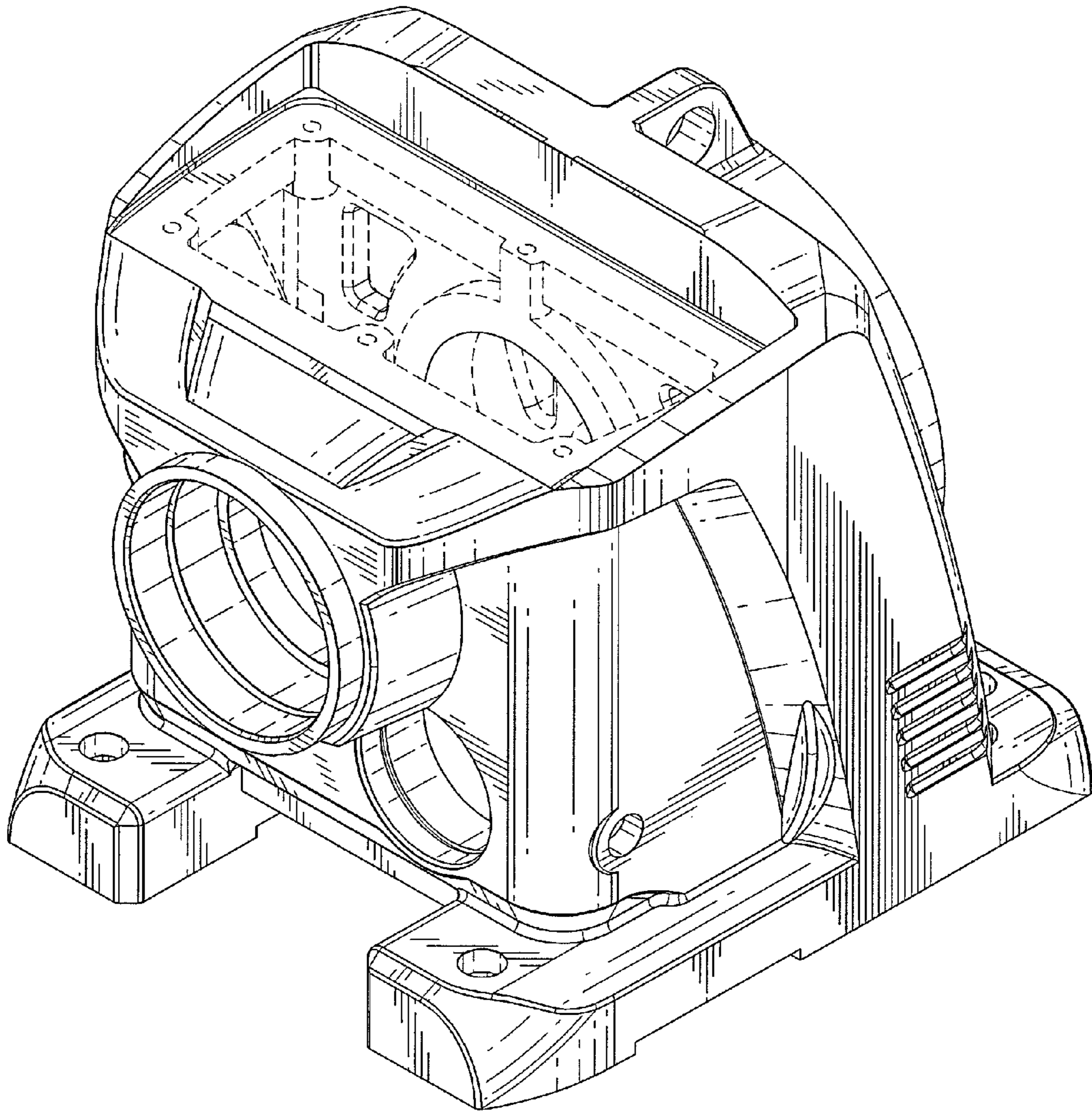


FIG. 1

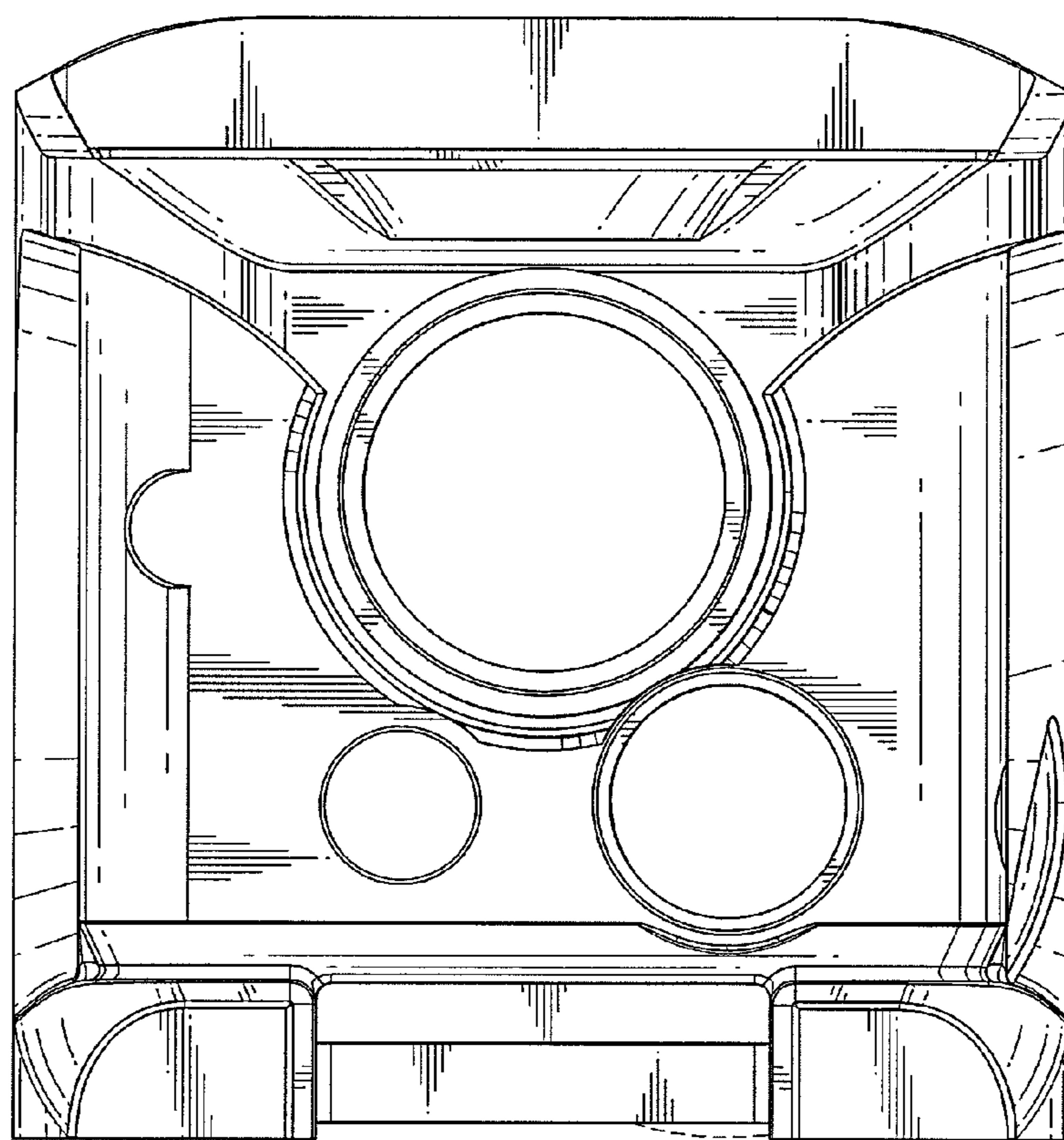


FIG. 2

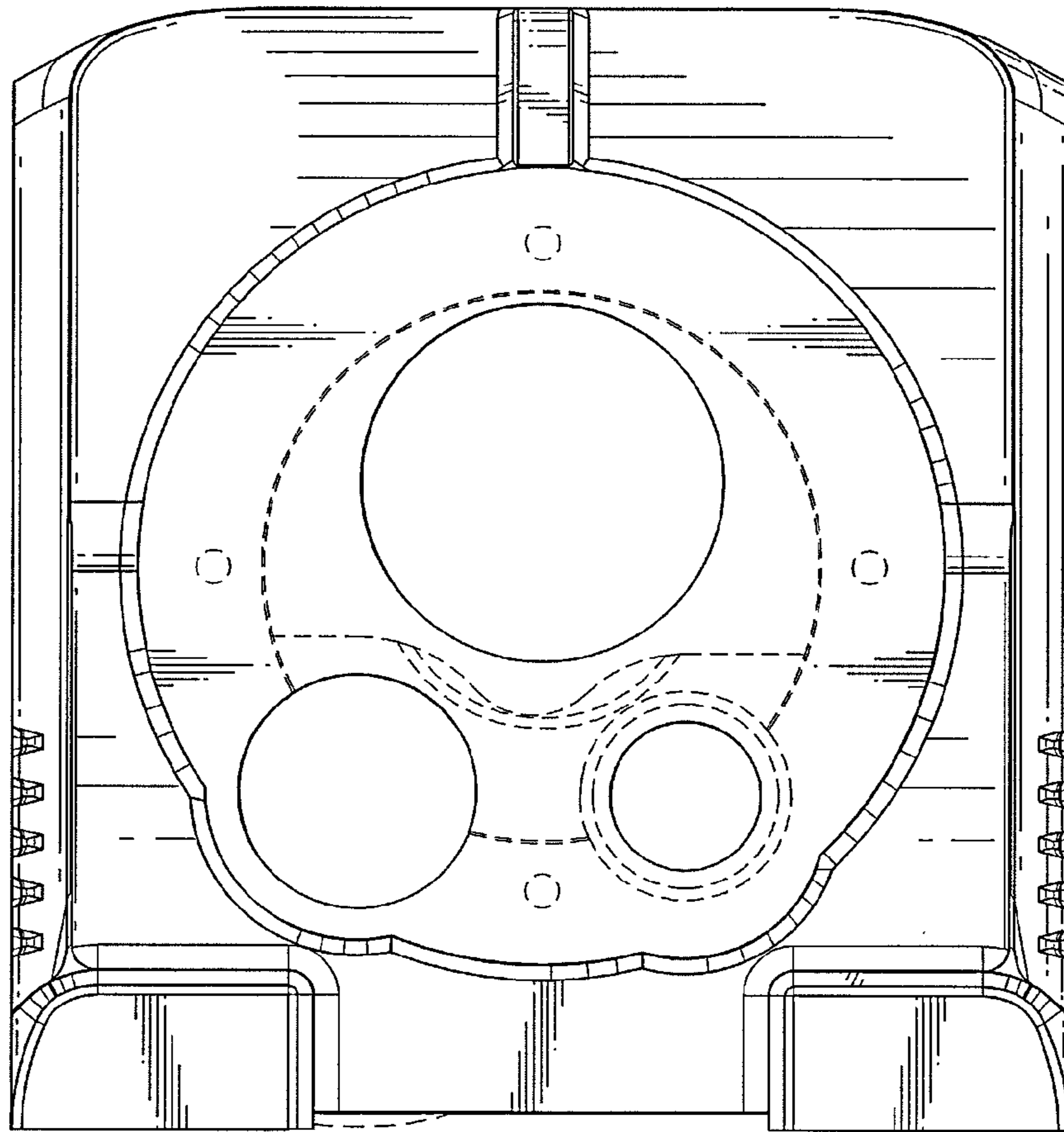


FIG. 3

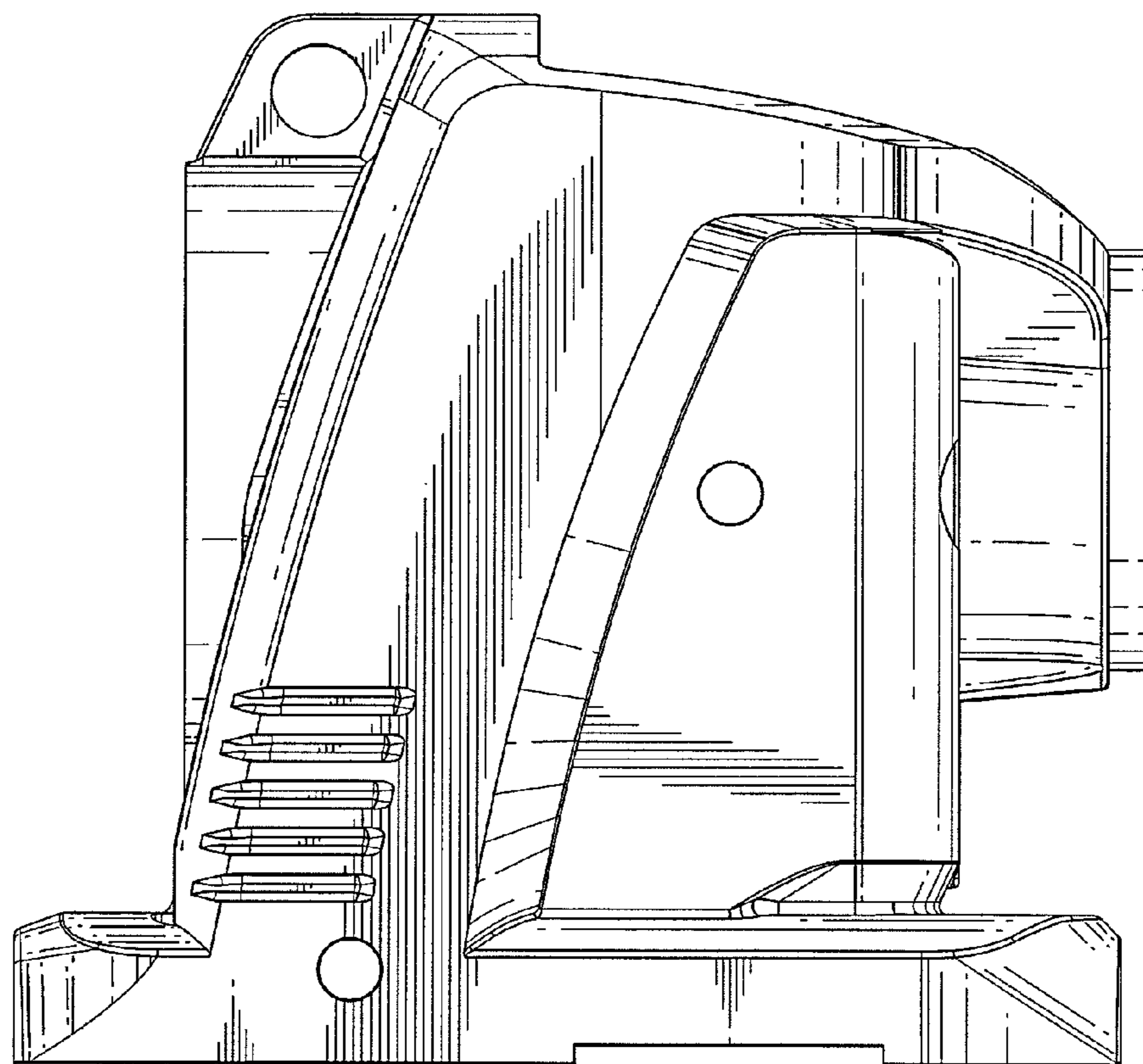


FIG. 4

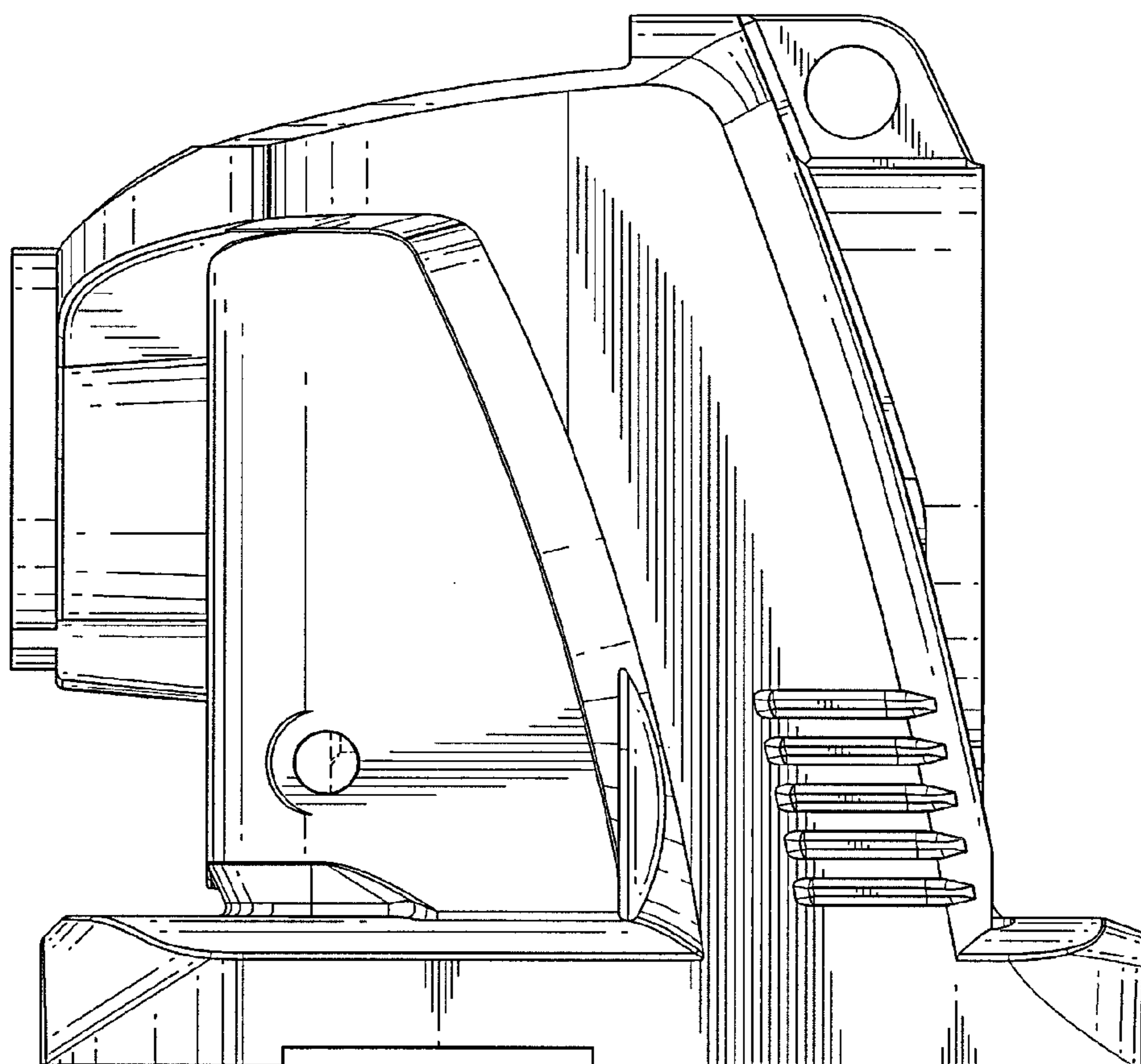


FIG. 5

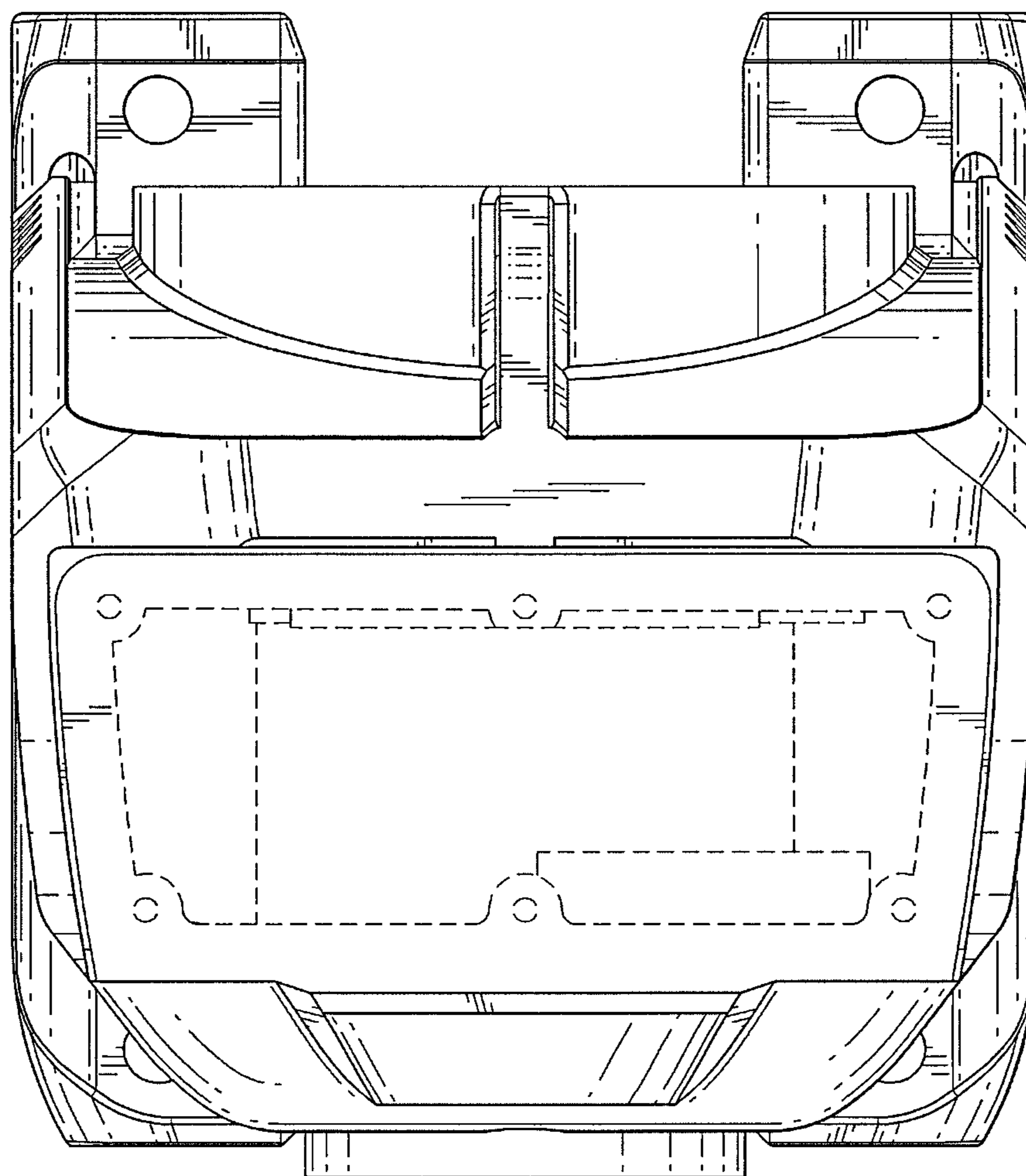


FIG. 6

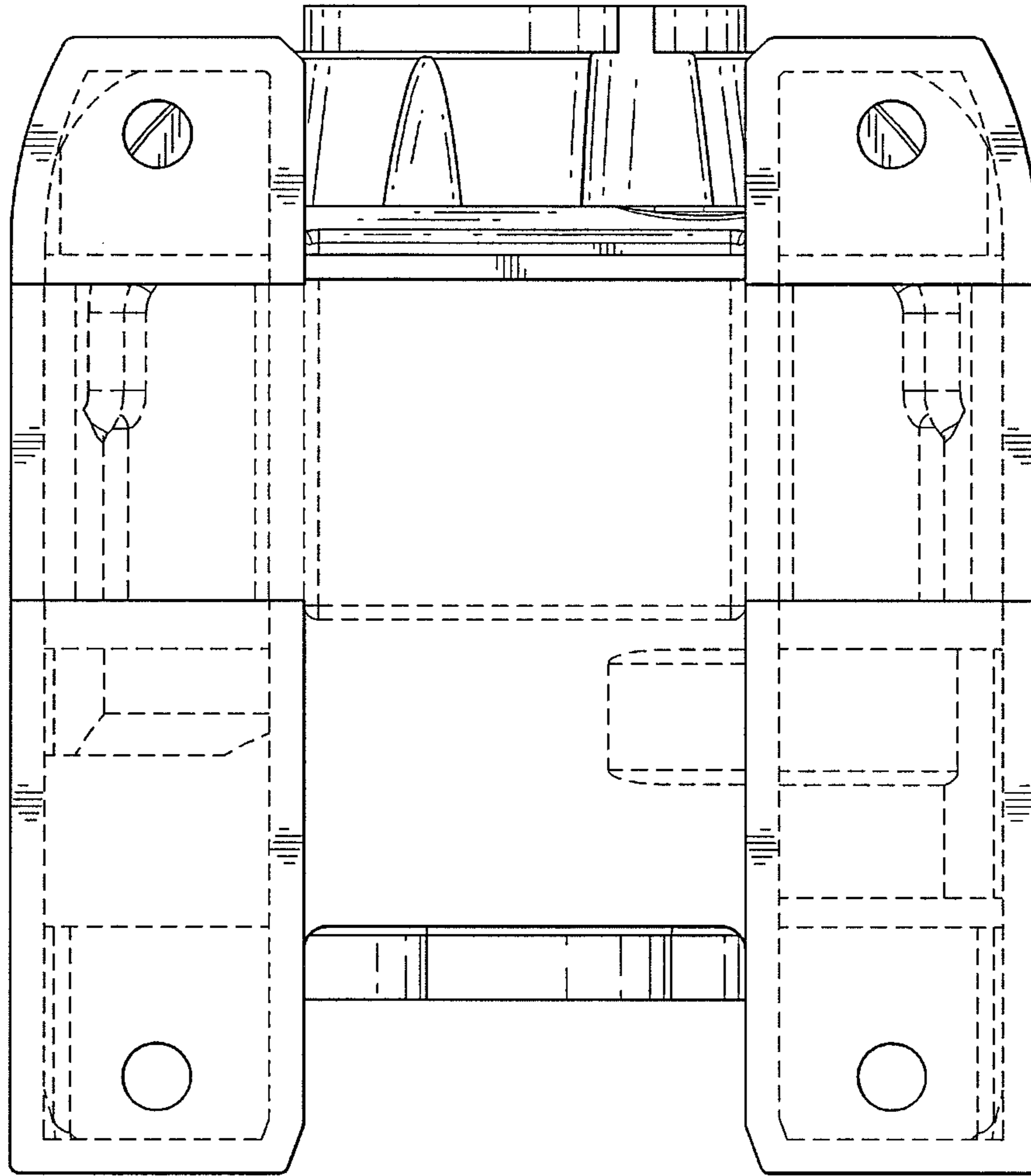


FIG. 7