



US00D683775S

(12) **United States Design Patent**
Farrenkopf

(10) **Patent No.:** **US D683,775 S**
(45) **Date of Patent:** **** Jun. 4, 2013**

(54) **GEAR**

(71) Applicant: **Wittenstein AG**, Igersheim (DE)

(72) Inventor: **Philipp Farrenkopf**, Buchen (DE)

(73) Assignee: **Wittenstein AG**, Igersheim (DE)

(**) Term: **14 Years**

(21) Appl. No.: **29/438,488**

(22) Filed: **Nov. 30, 2012**

(51) **LOC (9) Cl.** **15-09**

(52) **U.S. Cl.**
USPC **D15/148**

(58) **Field of Classification Search**
USPC D15/5, 148, 149, 199; 74/395, 464;
280/5.5-5.524; 427/249.19; 428/408; 475/83,
475/331-335, 344, 345, 901
See application file for complete search history.

(56) **References Cited**

U.S. PATENT DOCUMENTS

D479,541 S * 9/2003 Lannoch D15/148
D497,374 S * 10/2004 Wittenstein D15/148
D514,607 S * 2/2006 Wittenstein D15/148

D529,059 S * 9/2006 Lin D15/148
D549,259 S * 8/2007 Wittenstein D15/149
D598,938 S * 8/2009 Mijno D15/148
D618,262 S * 6/2010 Siegfried D15/148
D618,263 S * 6/2010 Siegfried D15/148
D619,631 S * 7/2010 Otsuka D15/149

* cited by examiner

Primary Examiner — Patricia Palasik

(74) *Attorney, Agent, or Firm* — Bachman & LaPointe, P.C.

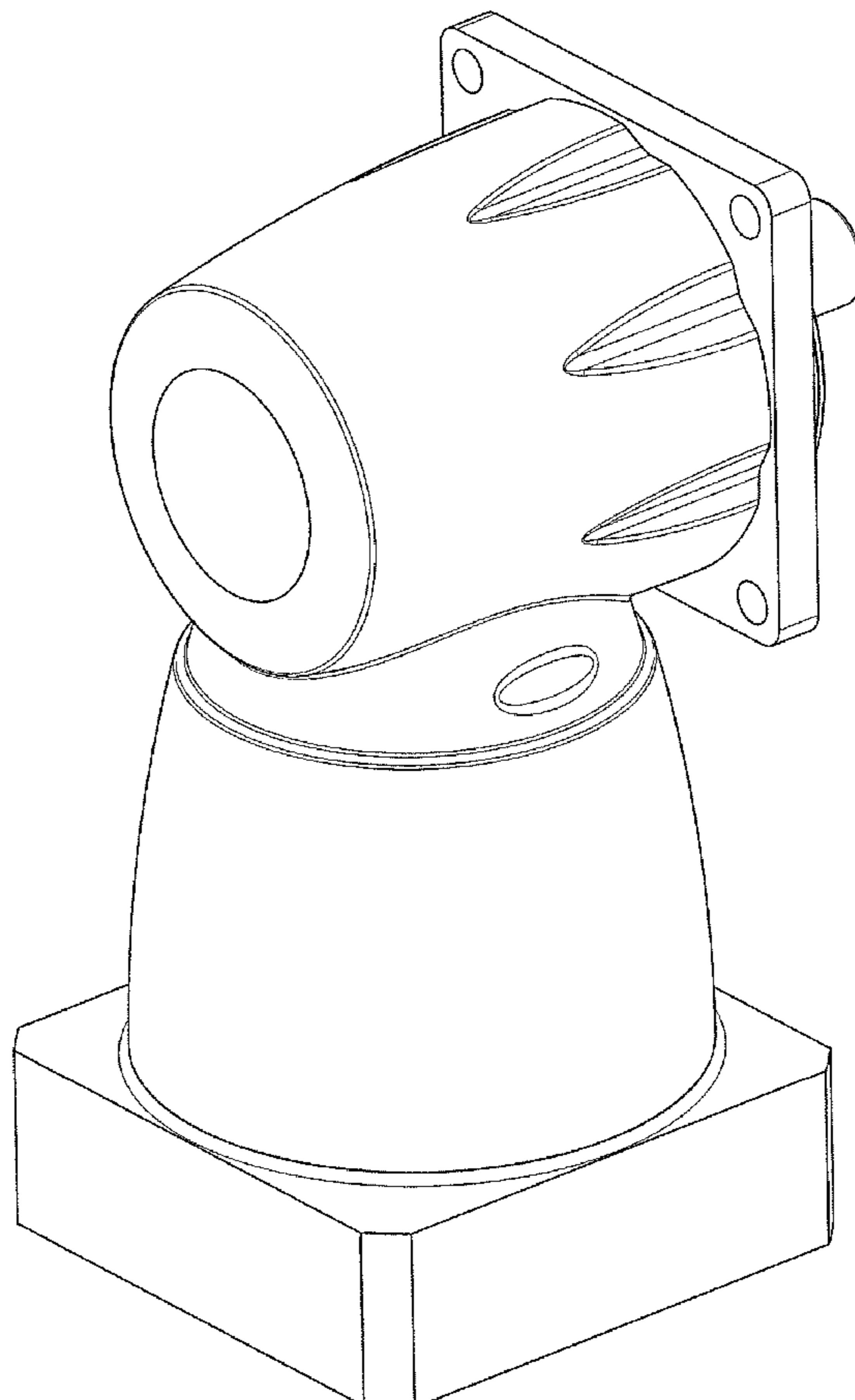
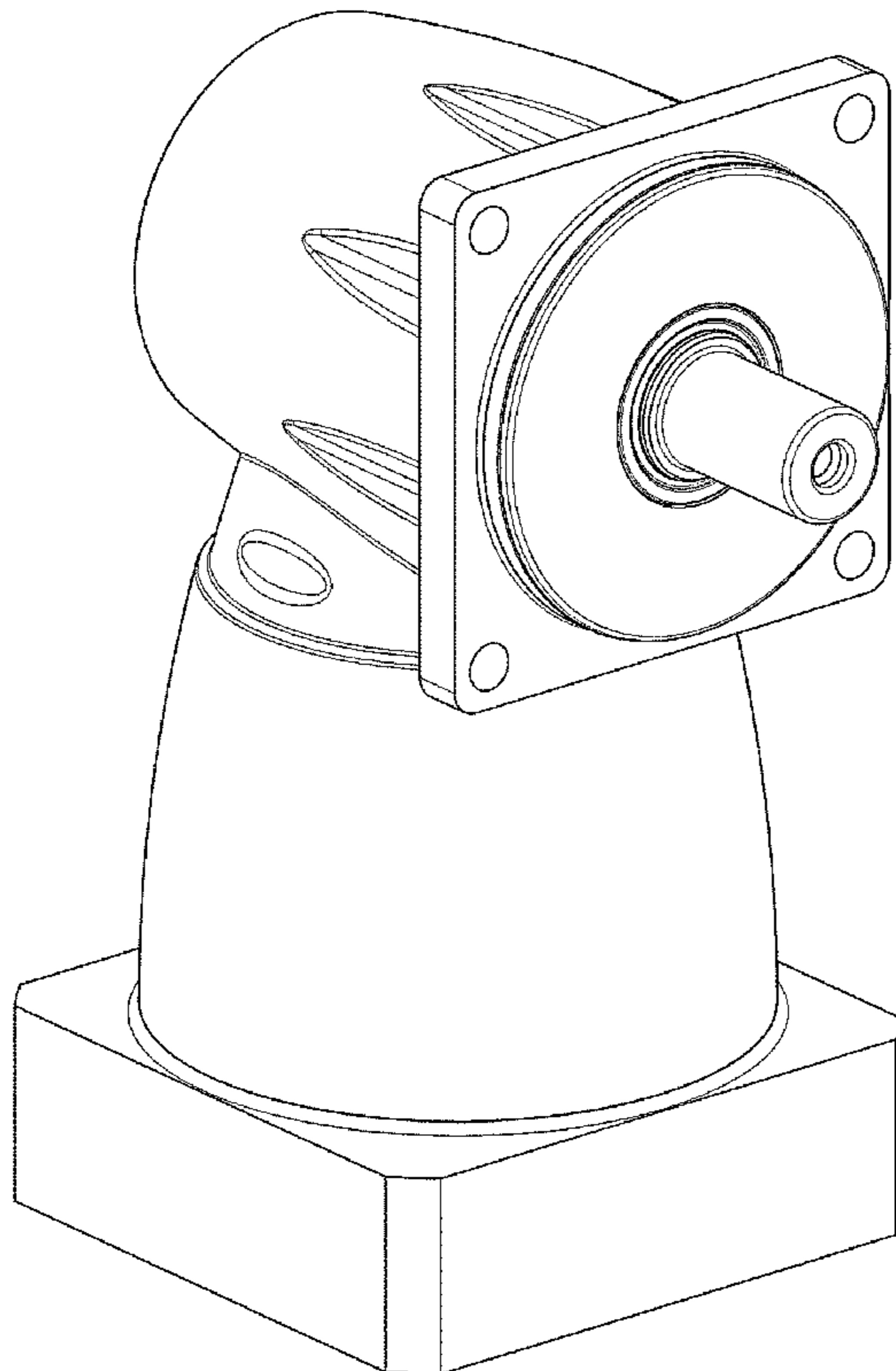
(57) **CLAIM**

The ornamental design of gear, as shown.

DESCRIPTION

FIG. 1 is a front perspective view of the ornamental design of a gear in accordance with the present invention;
FIG. 2 is a back perspective view of the ornamental design of the present invention;
FIG. 3 is a front view of the ornamental design of the present invention;
FIG. 4 is a side view of the ornamental design of the present invention;
FIG. 5 is a back view of the ornamental design of the present invention; and,
FIG. 6 is a top view of the ornamental design of the present invention.

1 Claim, 6 Drawing Sheets



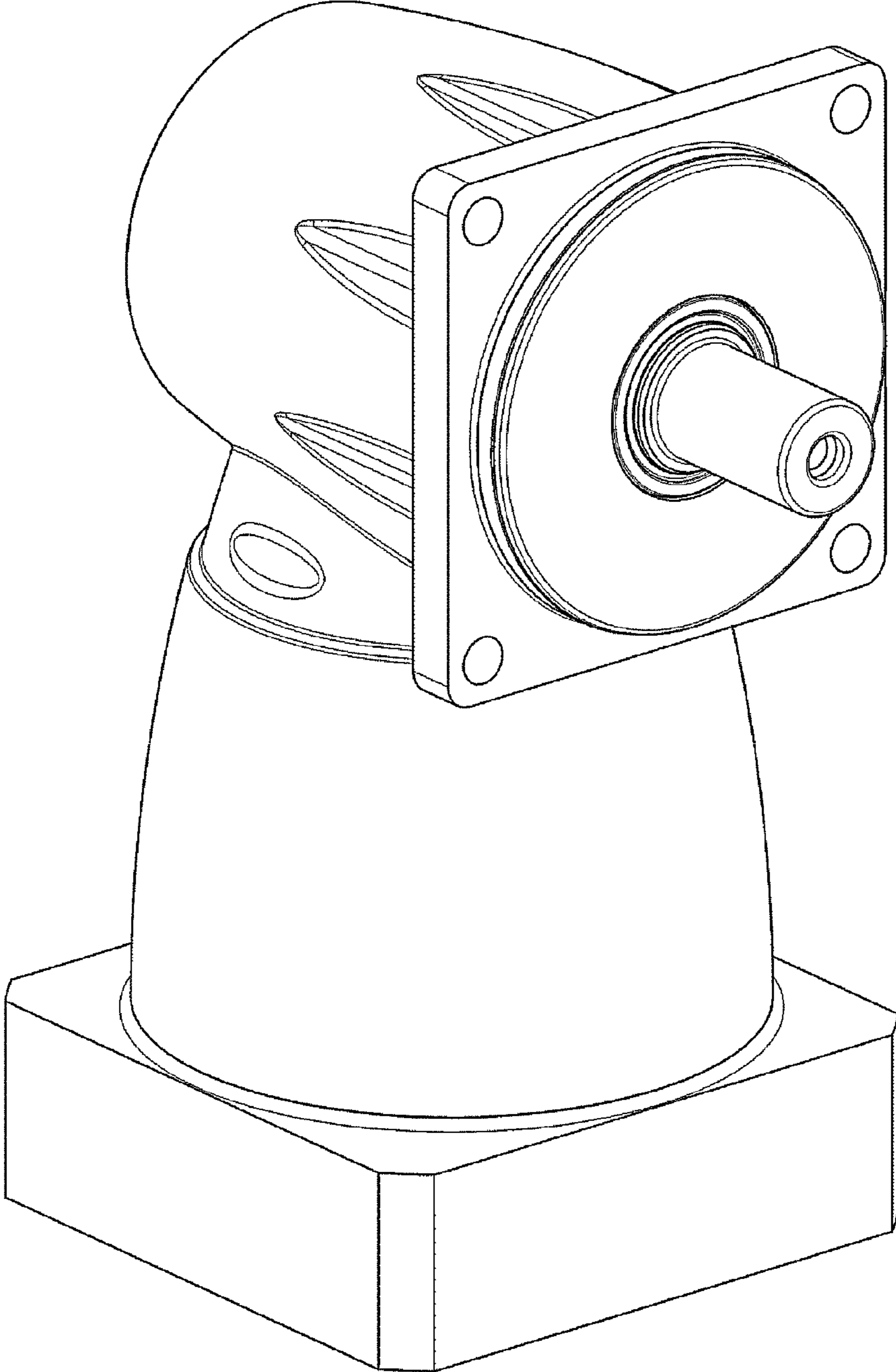


FIG. 1

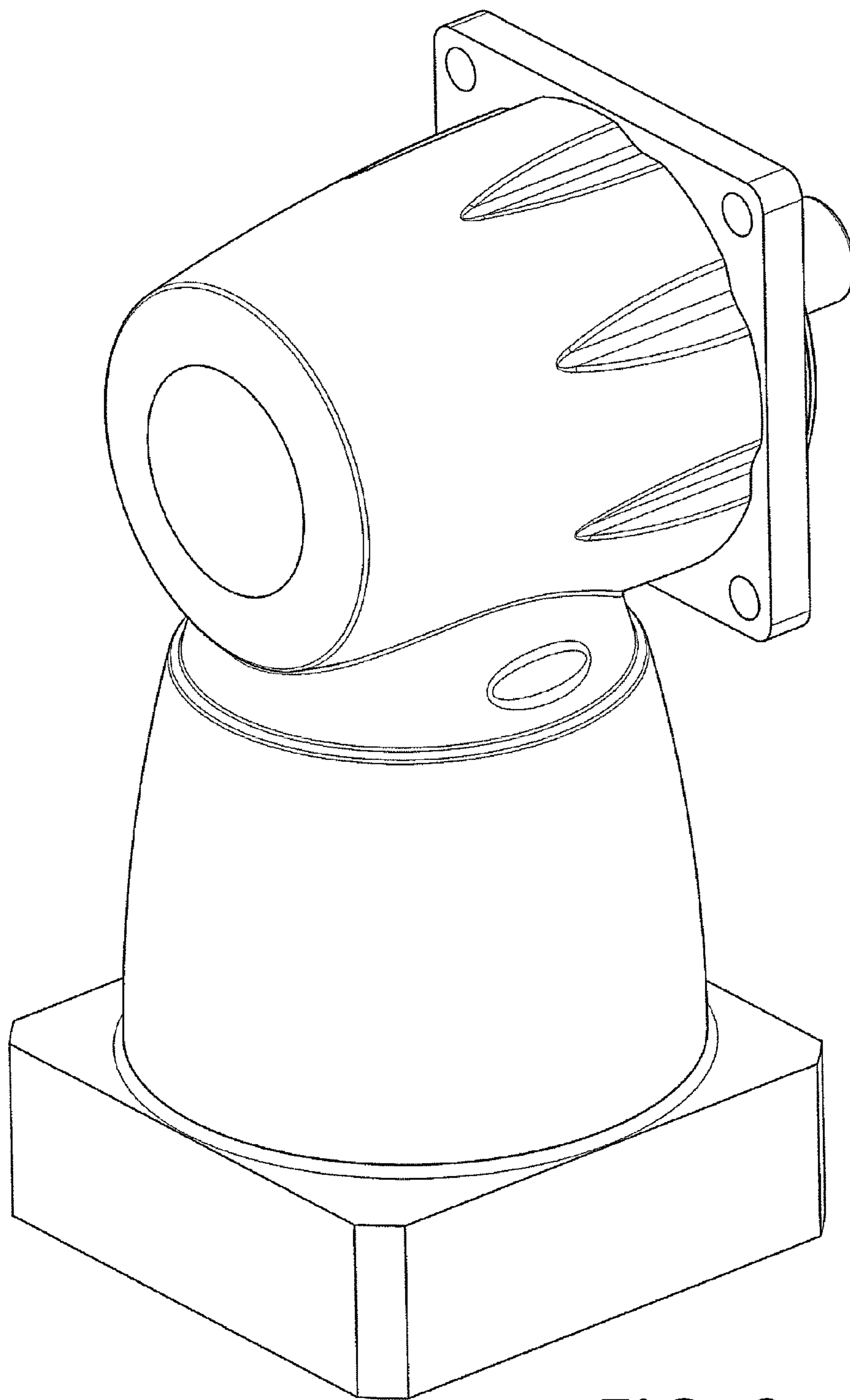


FIG. 2

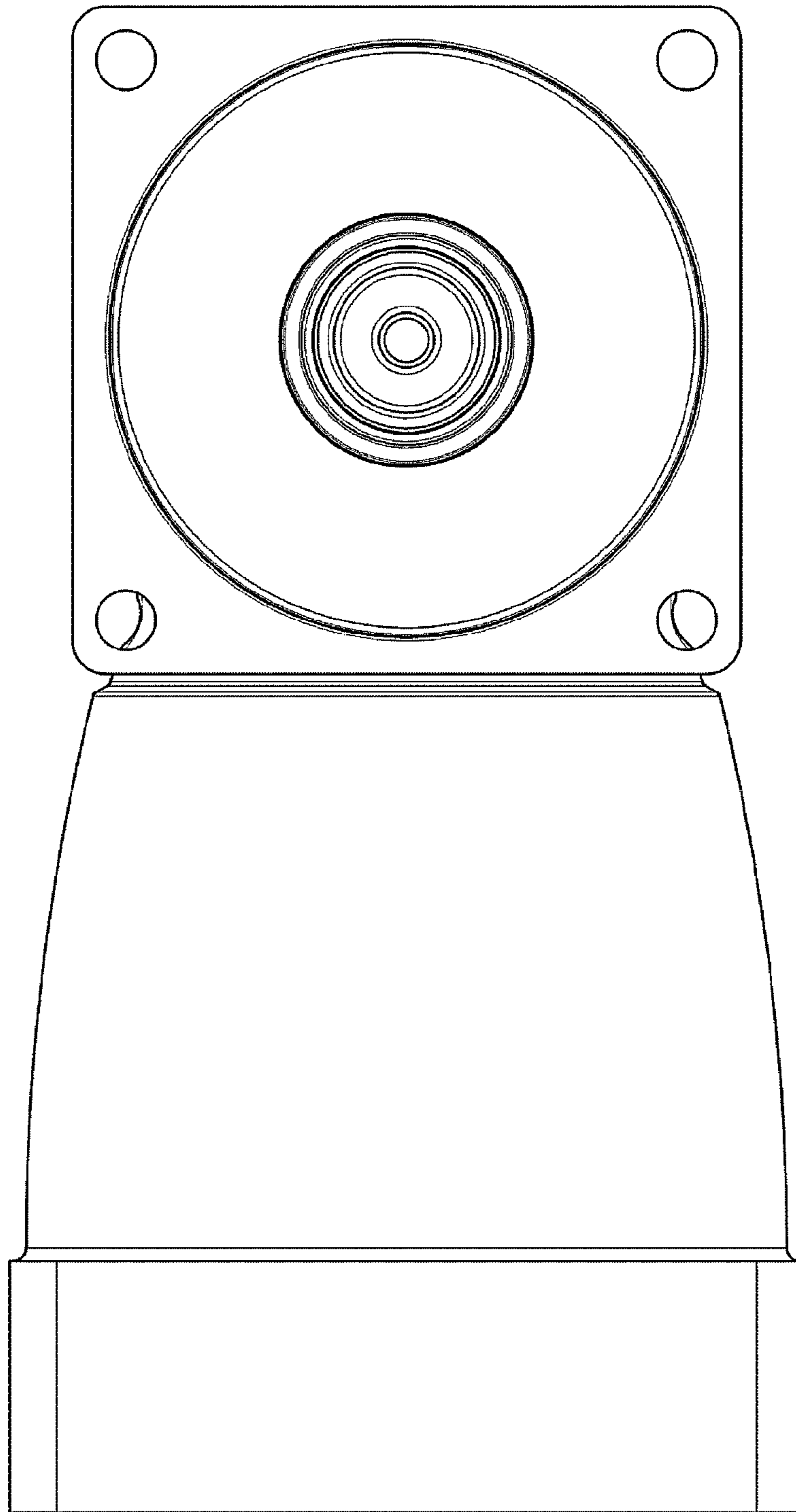


FIG. 3

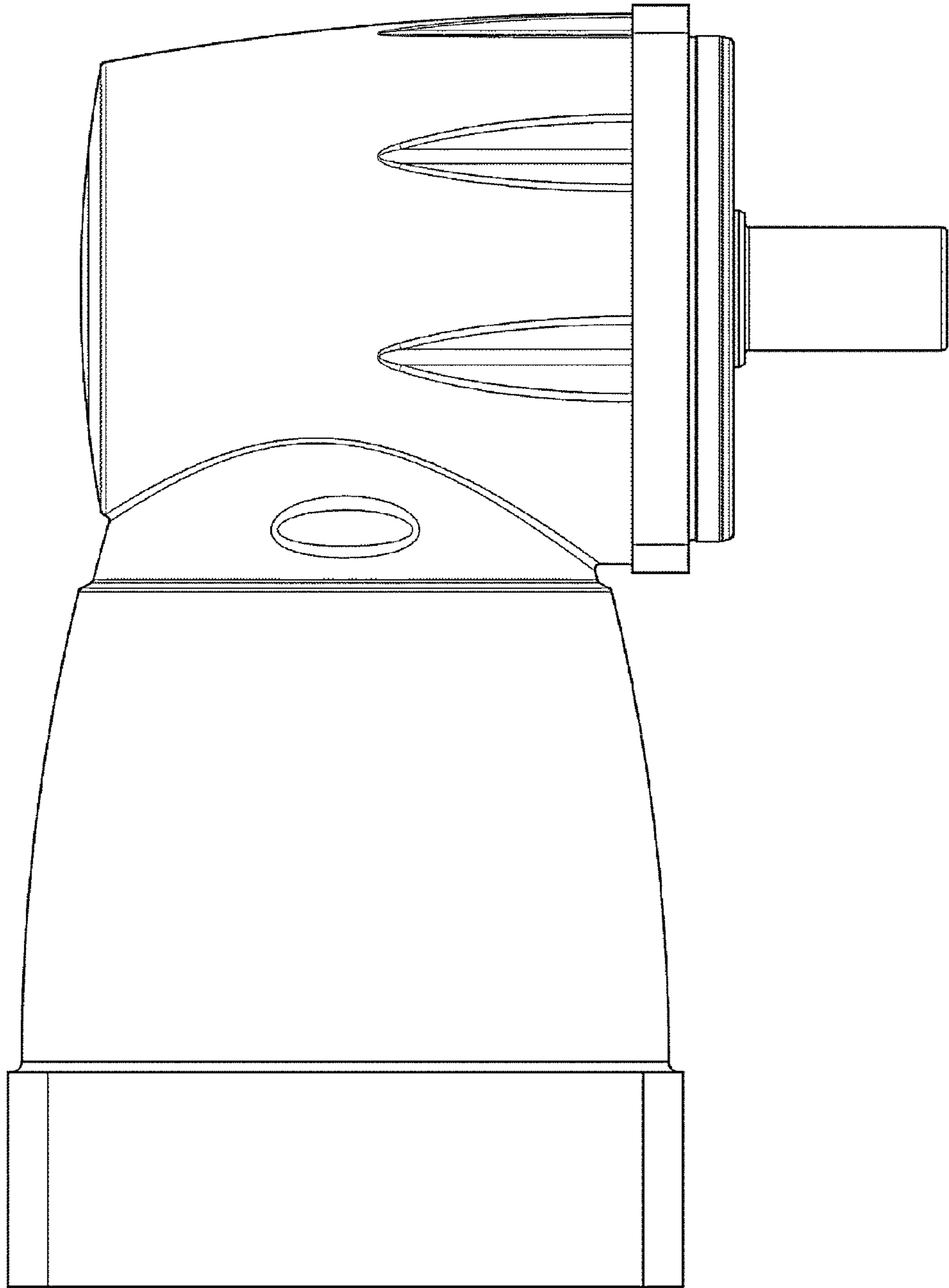


FIG. 4

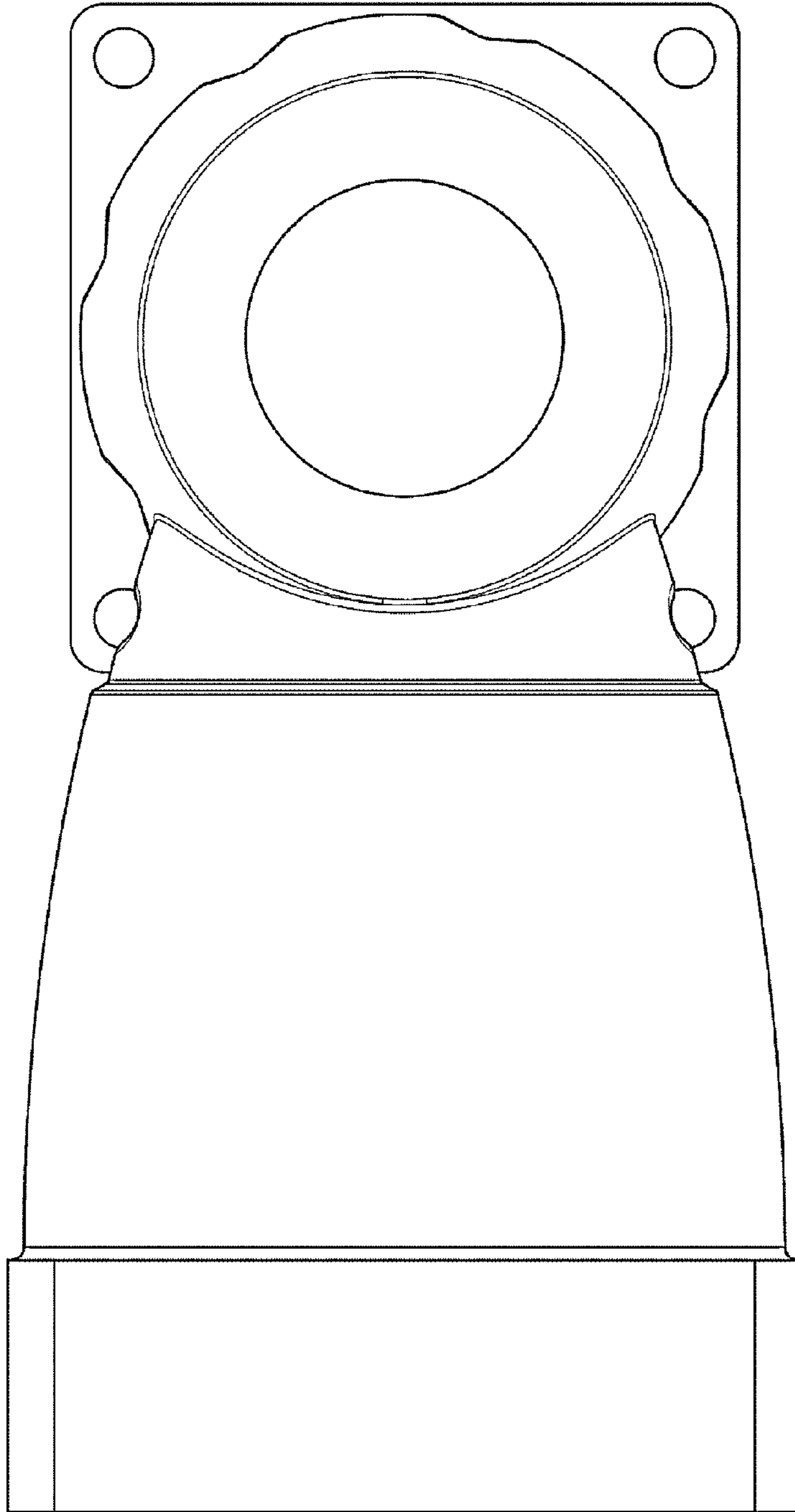


FIG. 5

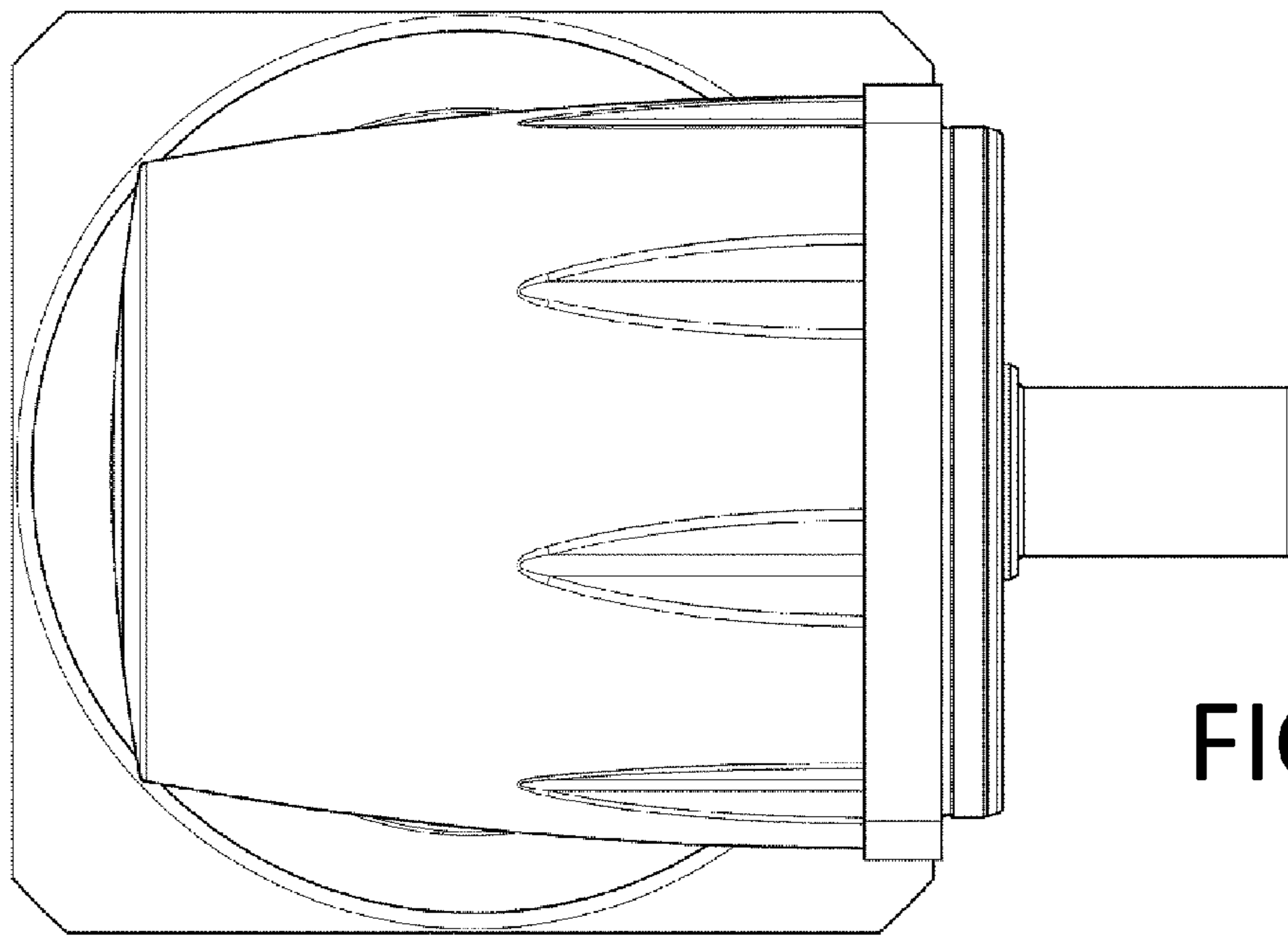


FIG. 6