



US00D683773S

(12) **United States Design Patent**
Boyer

(10) **Patent No.:** **US D683,773 S**
(45) **Date of Patent:** **** Jun. 4, 2013**

(54) **HANDLE FOR A GAS CUTTING TORCH**

(71) Applicant: **Victor Equipment Company**, Denton, TX (US)

(72) Inventor: **Robert A. Boyer**, Flower Mound, TX (US)

(73) Assignee: **Victor Equipment Company**, Denton, TX (US)

(**) Term: **14 Years**

(21) Appl. No.: **29/435,187**

(22) Filed: **Oct. 19, 2012**

Related U.S. Application Data

(63) Continuation-in-part of application No. 29/416,720, filed on Mar. 26, 2012.

(51) **LOC (9) Cl.** **15-09**

(52) **U.S. Cl.**
USPC **D15/144**

(58) **Field of Classification Search**
USPC D8/29.1, 29.2, 30, 107; D15/144,
D15/144.2; 219/227, 228, 229, 235, 236,
219/238

See application file for complete search history.

(56) **References Cited**

U.S. PATENT DOCUMENTS

D414,095 S * 9/1999 Hoepfl et al. D8/83
D422,475 S * 4/2000 Su D8/83
D458,524 S * 6/2002 Cheng D8/29.1
D482,259 S * 11/2003 Chen D8/107

D515,815 S * 2/2006 Jimenez et al. D4/101
D525,511 S * 7/2006 Hung D8/107
D526,184 S * 8/2006 Yu et al. D8/107
D537,092 S * 2/2007 Owens D15/144
D564,319 S * 3/2008 Tsai D8/30
D577,198 S * 9/2008 Jimenez et al. D4/101
D578,849 S * 10/2008 Whited et al. D8/30
D611,971 S * 3/2010 Risse D15/144
D638,270 S * 5/2011 Flattinger et al. D8/30
D647,382 S * 10/2011 Flattinger et al. D8/107
2009/0215302 A1 * 8/2009 Roberts 439/350
2009/0272333 A1 * 11/2009 Lin 119/633

* cited by examiner

Primary Examiner — Patricia Palasik

(74) *Attorney, Agent, or Firm* — Brinks Hofer Gilson & Lione

(57) **CLAIM**

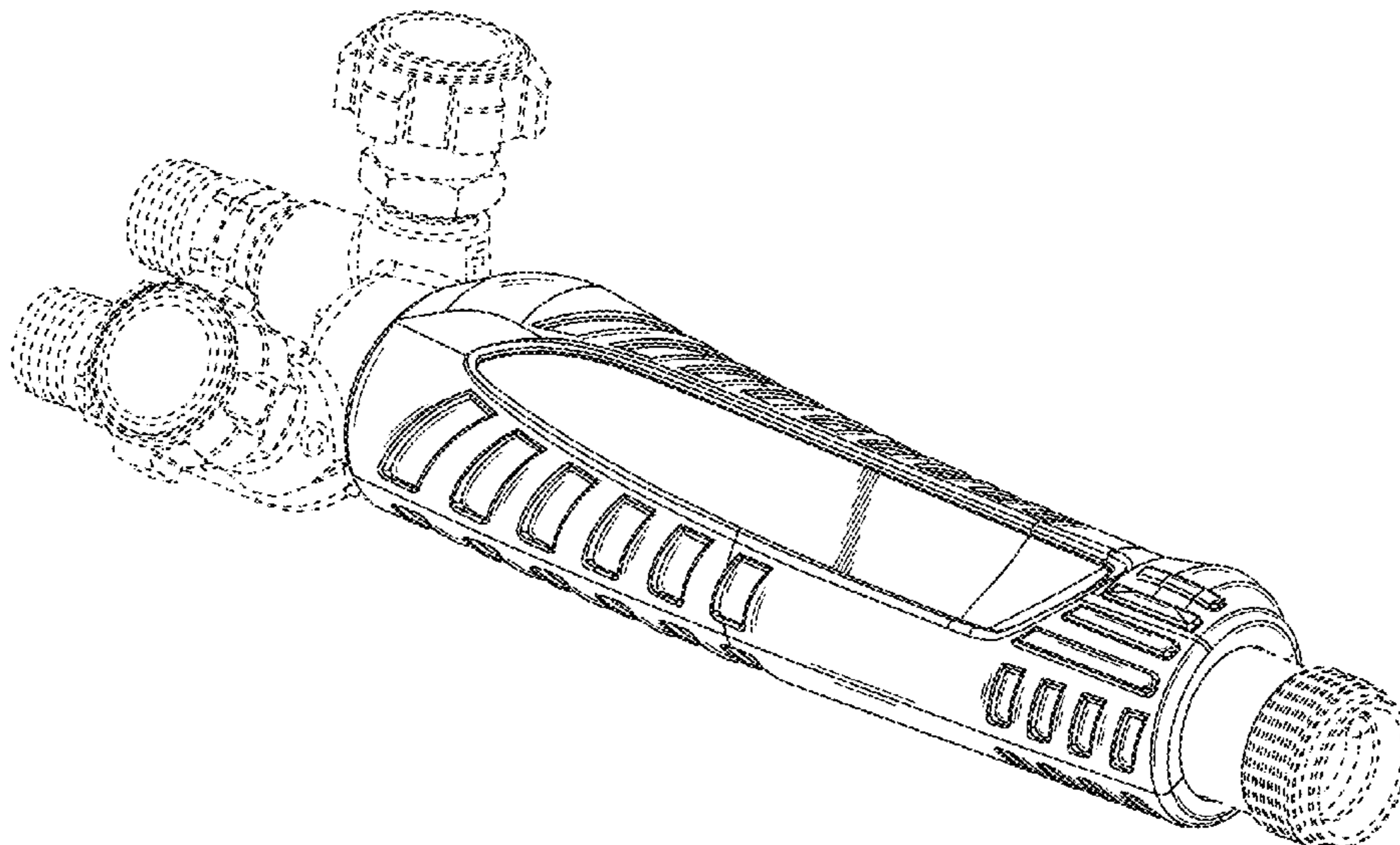
The ornamental design for a handle for a gas cutting torch, as shown and described.

DESCRIPTION

FIG. 1 is a top perspective view of the handle for a gas cutting torch;
FIG. 2 is another top perspective view thereof;
FIG. 3 is a right side view thereof;
FIG. 4 is left side view thereof;
FIG. 5 is a top view thereof;
FIG. 6 is a bottom view thereof;
FIG. 7 is a front view thereof; and,
FIG. 8 is a rear view thereof.

The broken lines are included for the purpose of illustrating environmental structure and form no part of the claimed design.

1 Claim, 8 Drawing Sheets



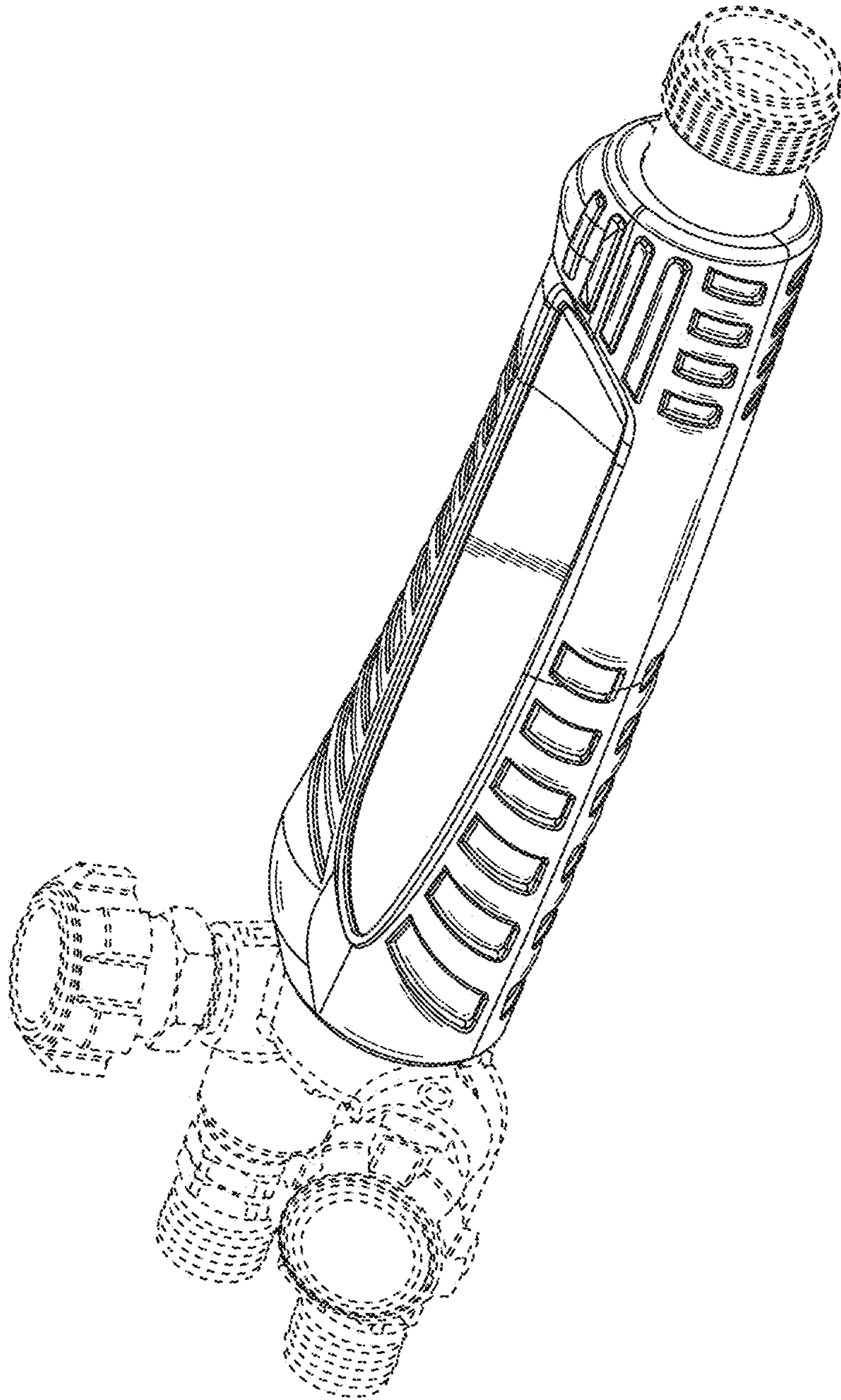


FIG. 1

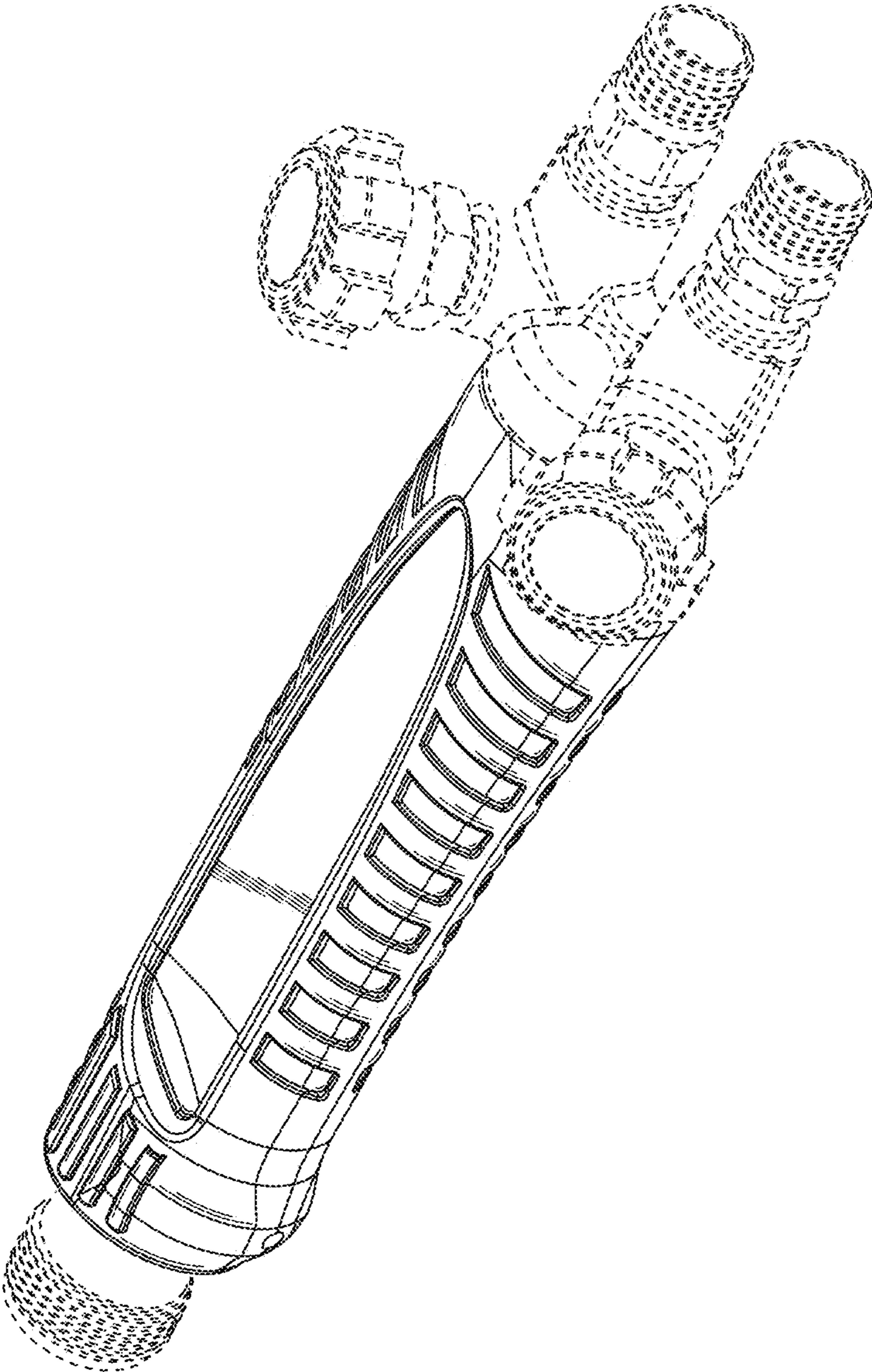


FIG. 2

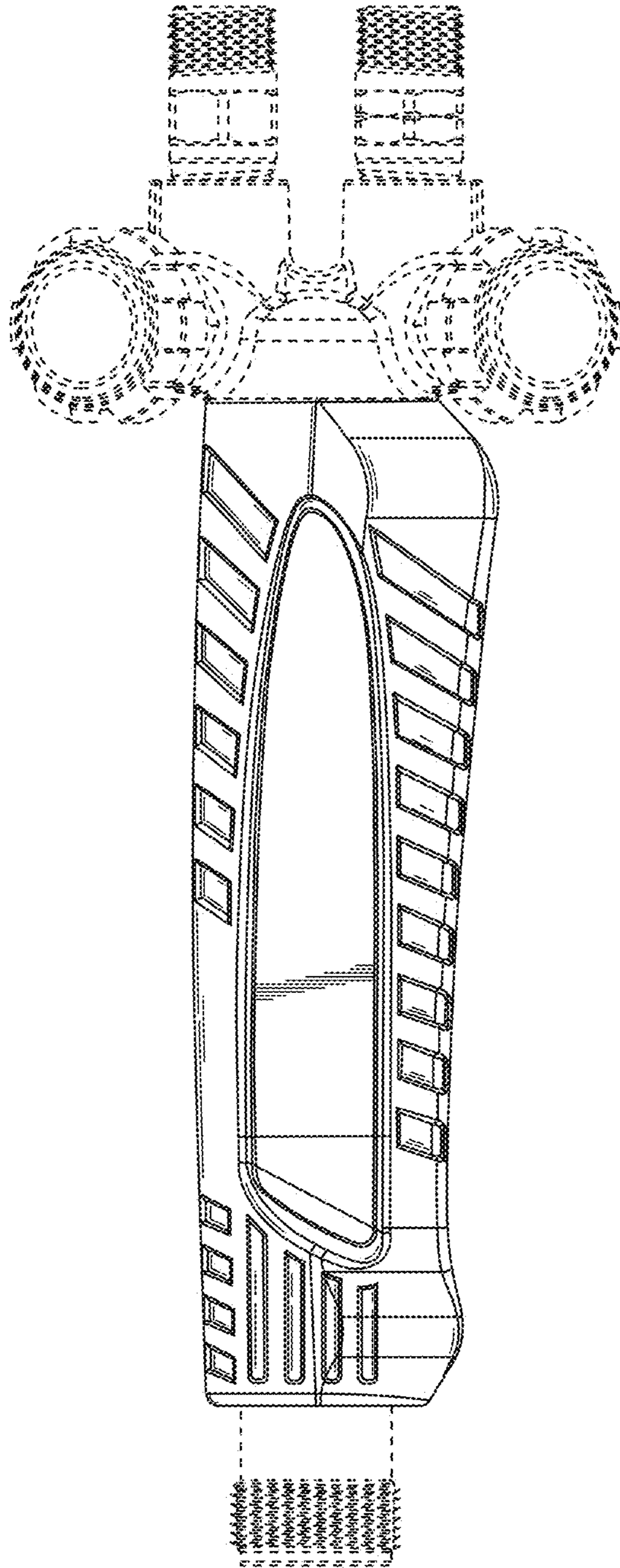


FIG. 3

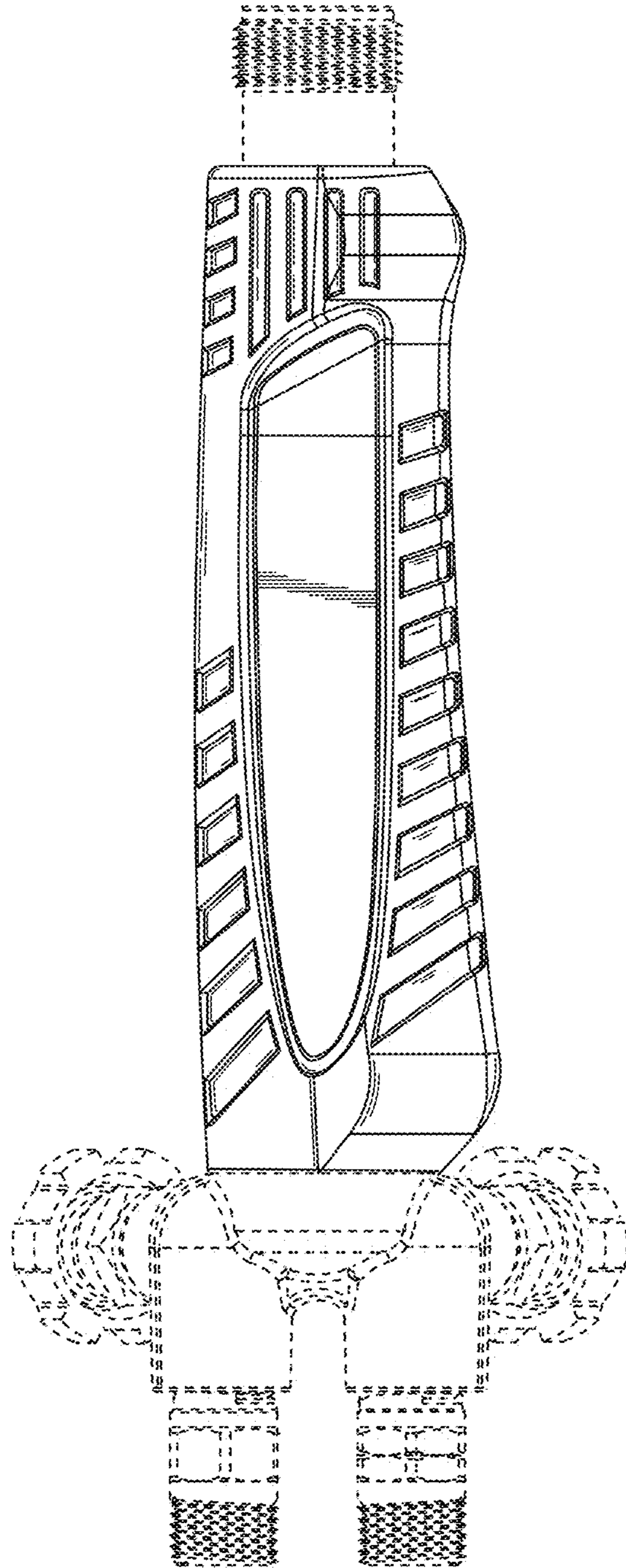


FIG. 4

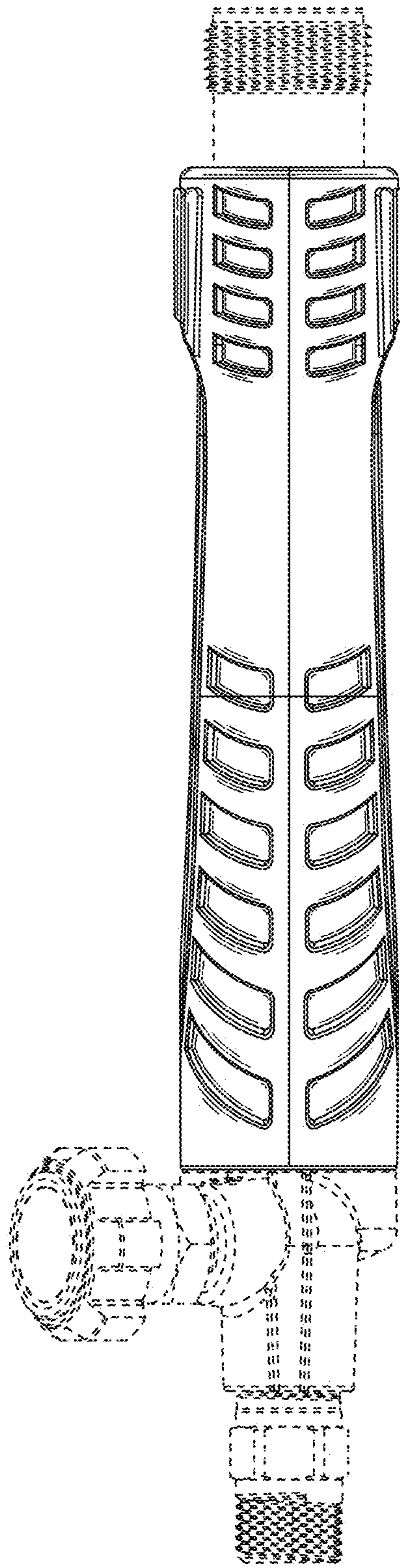


FIG. 5

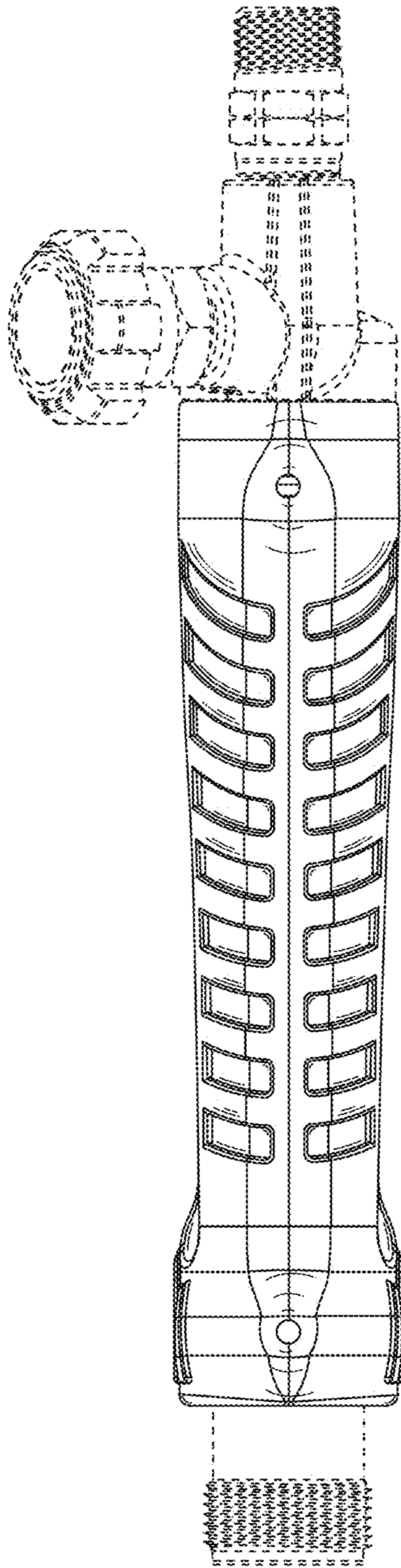


FIG. 6

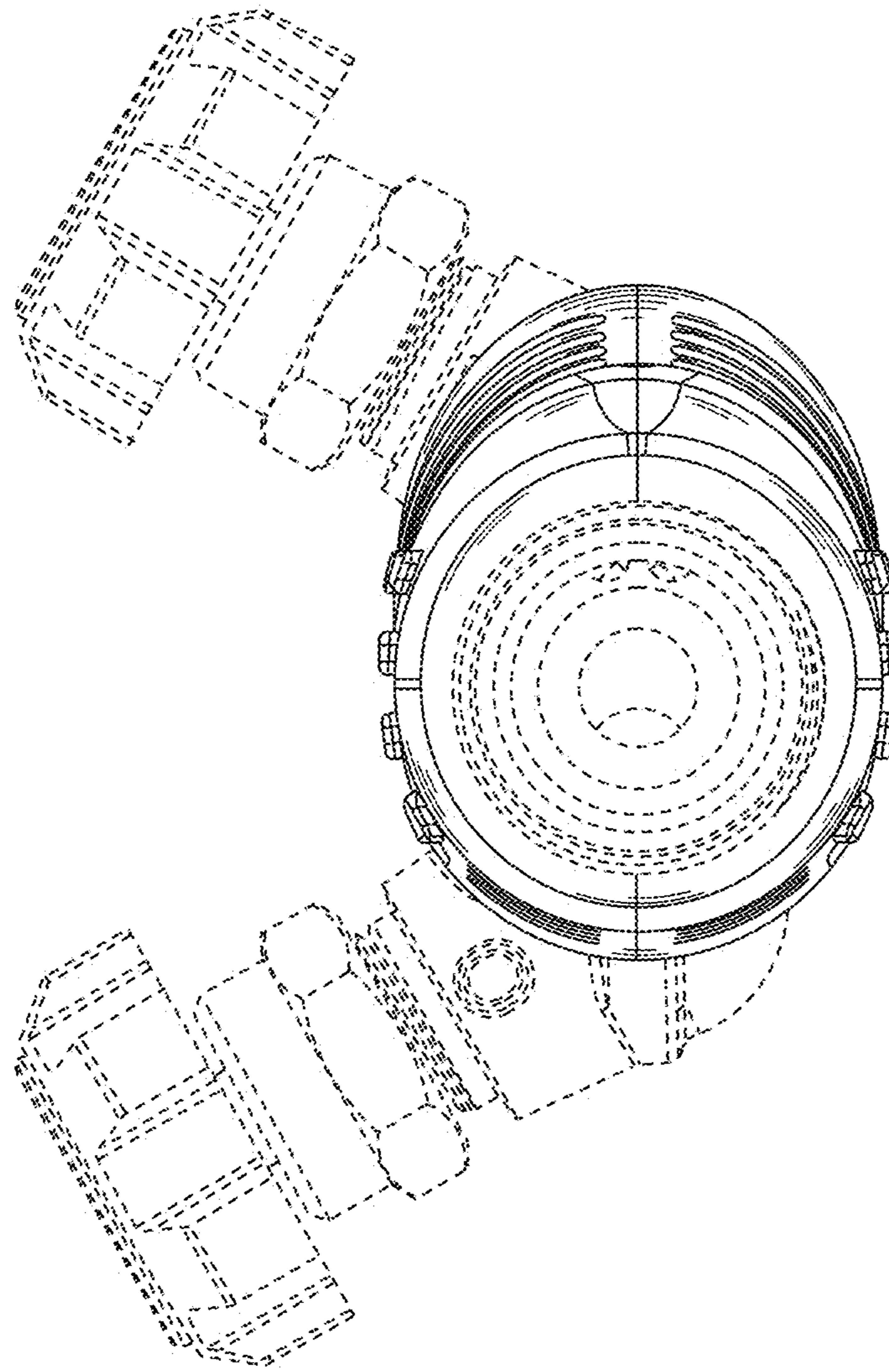


FIG. 7

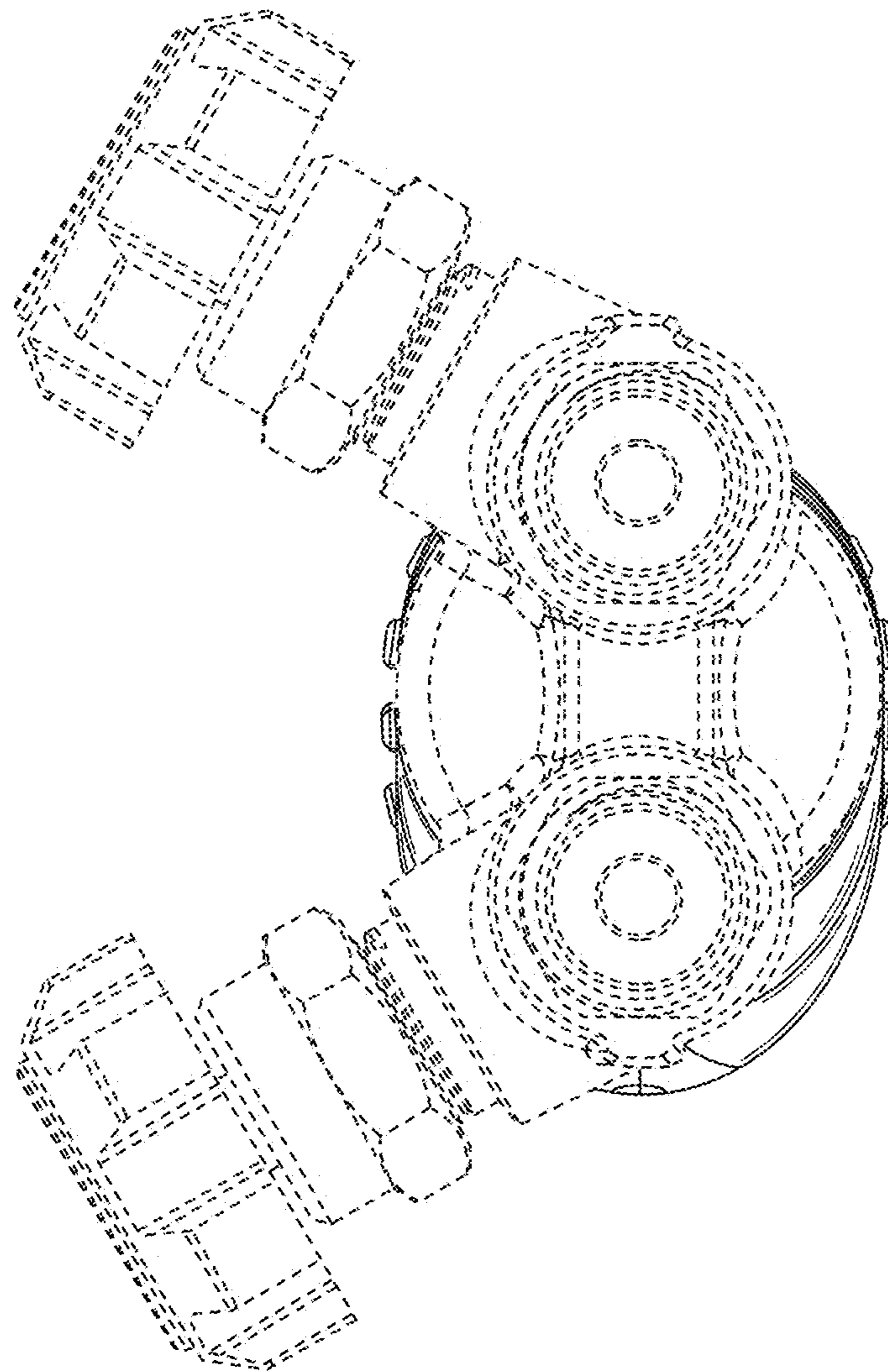


FIG. 8