



US00D683771S

(12) **United States Design Patent**
Shimano et al.

(10) **Patent No.:** **US D683,771 S**
(45) **Date of Patent:** **** Jun. 4, 2013**

(54) **LASER BEAM MACHINE**

(56) **References Cited**

(75) Inventors: **Hiroichiro Shimano**, Chiyoda-ku (JP);
Hiroshi Kino, Chiyoda-ku (JP)

U.S. PATENT DOCUMENTS

5,449,881	A *	9/1995	Nakata et al.	219/121.67
D419,573	S *	1/2000	Kawahara et al.	D15/122
D424,584	S *	5/2000	Kawahara et al.	D15/122
6,495,797	B2 *	12/2002	Smyth	219/121.84
D489,077	S *	4/2004	Bloch	D15/127
D654,518	S *	2/2012	Miyake et al.	D15/122
D659,728	S *	5/2012	Mueller	D15/122
D664,570	S *	7/2012	Mueller	D15/122
D667,031	S *	9/2012	Mueller	D15/122

(73) Assignee: **Mitsubishi Electric Corporation**,
Tokyo (JP)

(**) **Term:** **14 Years**

* cited by examiner

(21) Appl. No.: **29/415,501**

Primary Examiner — Antoine D Davis

(22) Filed: **Mar. 12, 2012**

(74) *Attorney, Agent, or Firm* — Sughrue Mion, PLLC

(30) **Foreign Application Priority Data**

(57) **CLAIM**

The ornamental design for a laser beam machine, as shown and described.

Sep. 13, 2011 (JP) 2011-020768

DESCRIPTION

(51) **LOC (9) Cl.** **15-09**

FIG. 1 is a front, top and left side perspective view of a laser beam machine, showing our new design;
FIG. 2 is a front elevational view thereof;
FIG. 3 is a rear elevational view thereof;
FIG. 4 is a left side elevational view thereof;
FIG. 5 is a right side elevational view thereof; and,
FIG. 6 is a top plan view thereof.

(52) **U.S. Cl.**

USPC **D15/122**

(58) **Field of Classification Search**

USPC D15/122, 127; 219/121.6–121.86; 372/9,
372/19, 29, 92, 99, 107–109

See application file for complete search history.

1 Claim, 6 Drawing Sheets

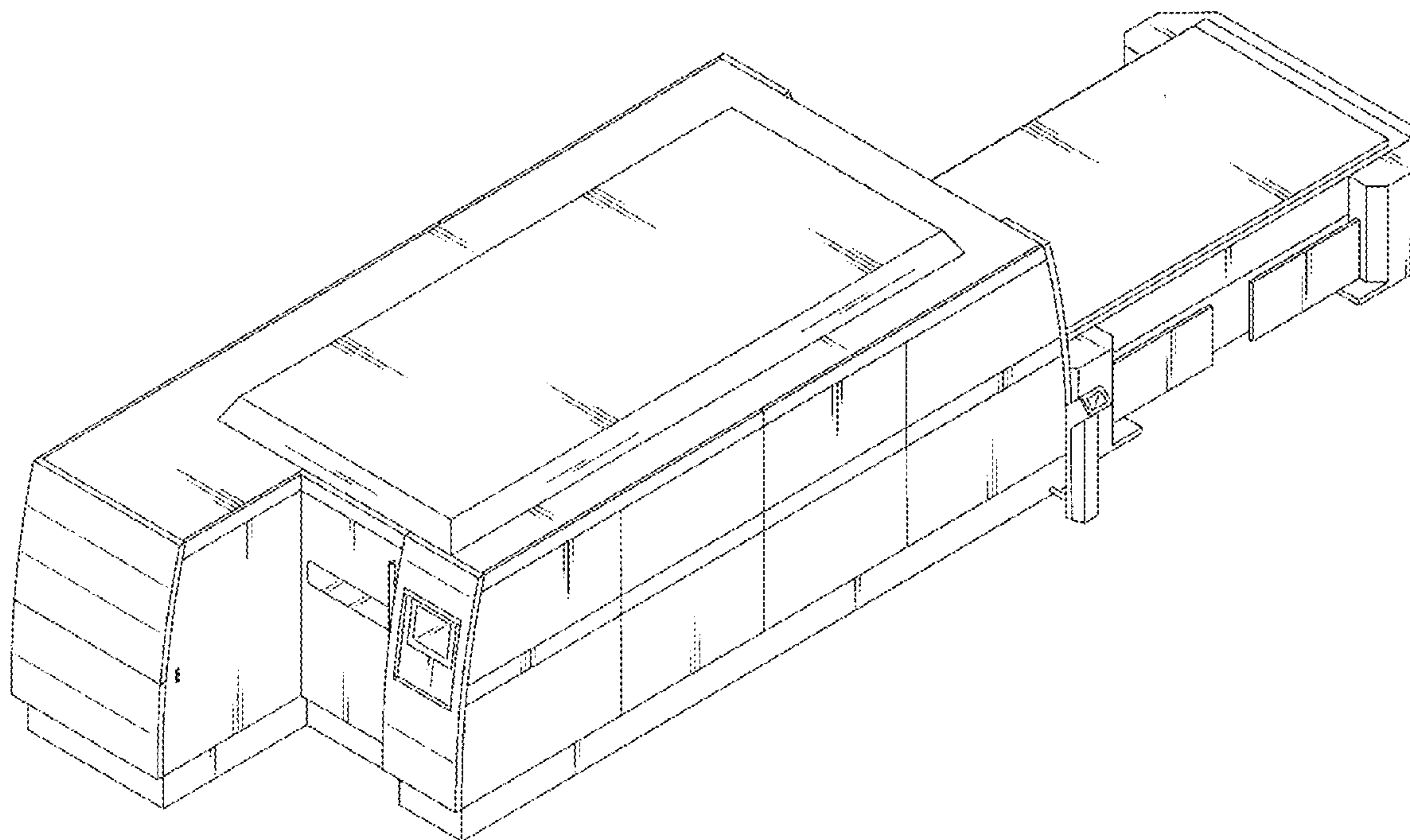


Fig. 1

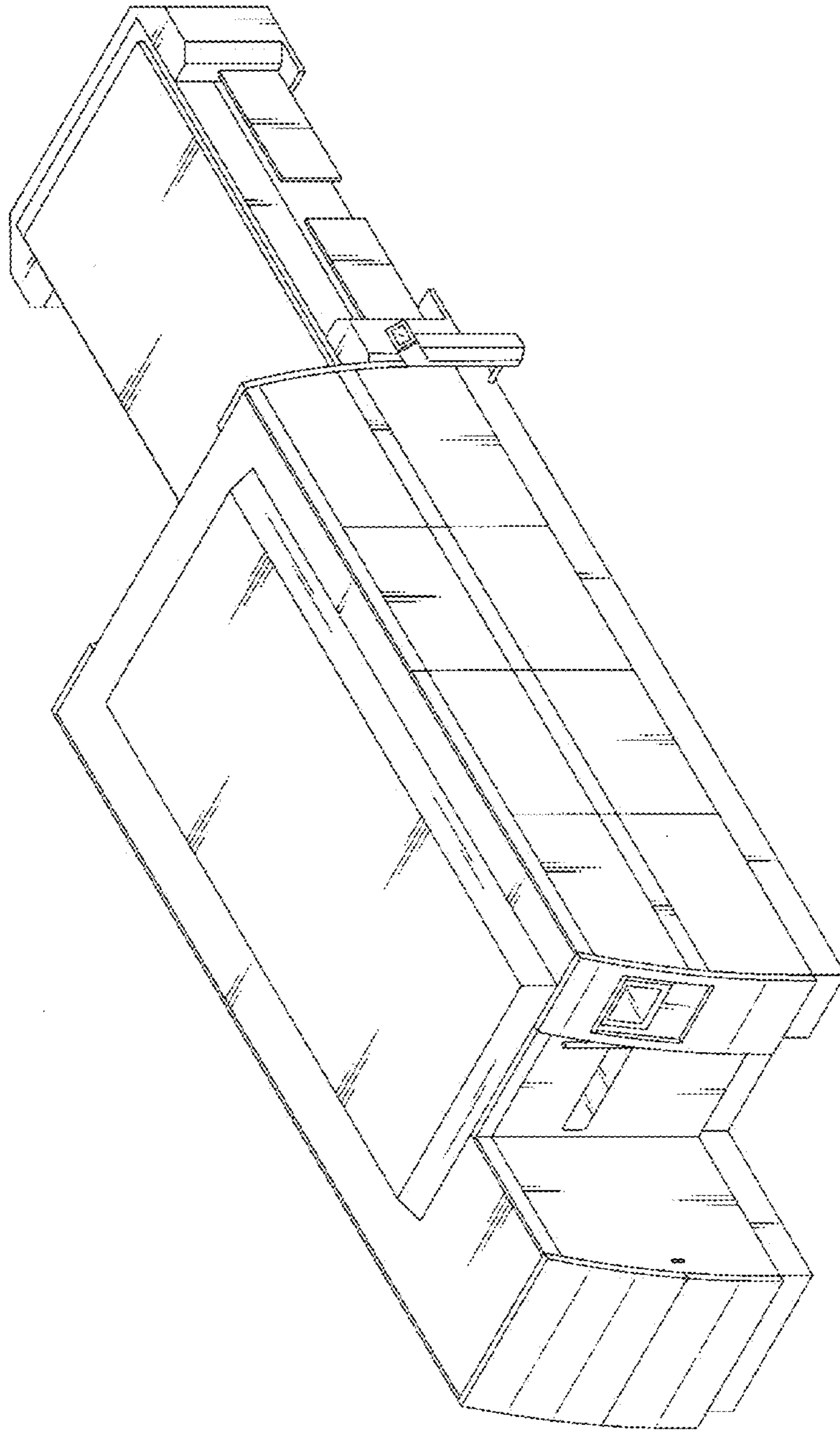


Fig.2

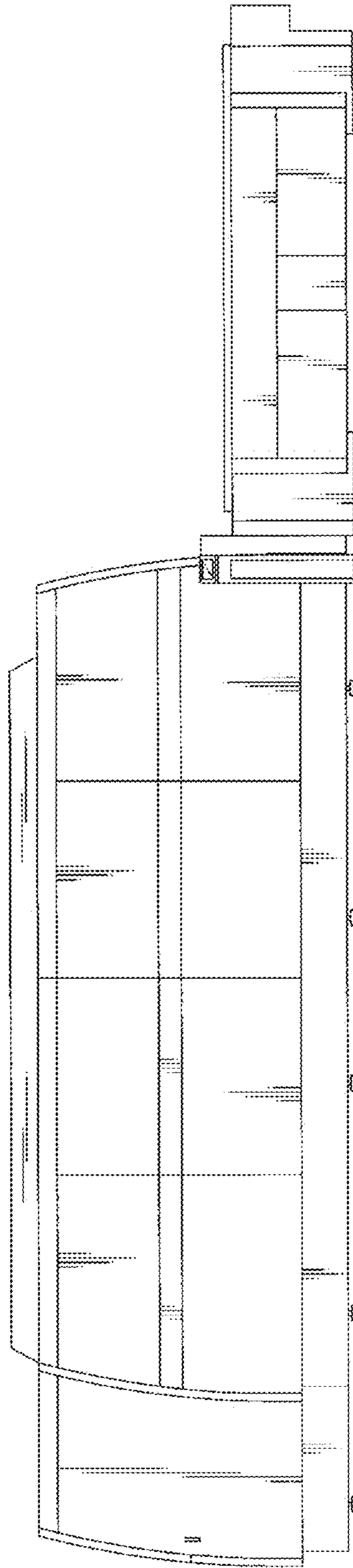


Fig. 3

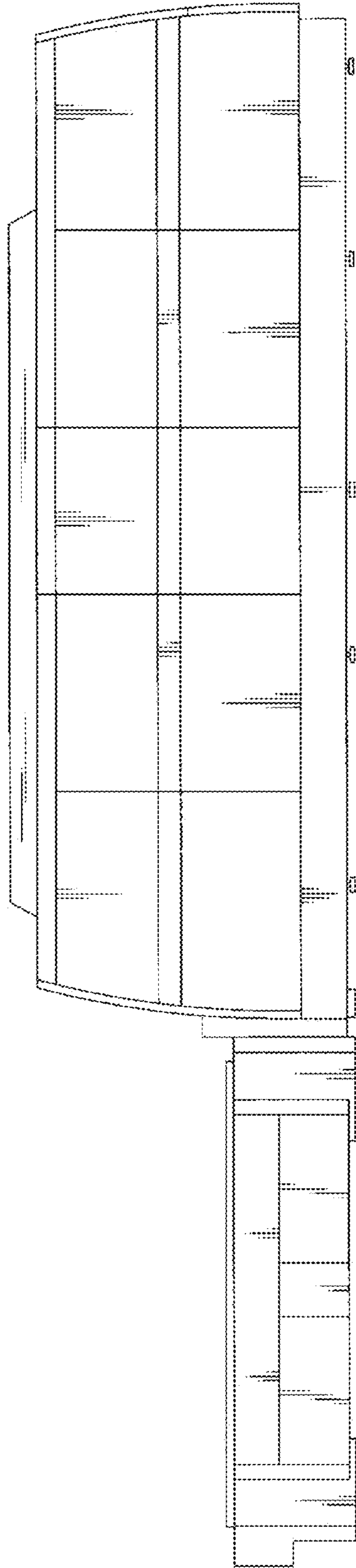


Fig.4

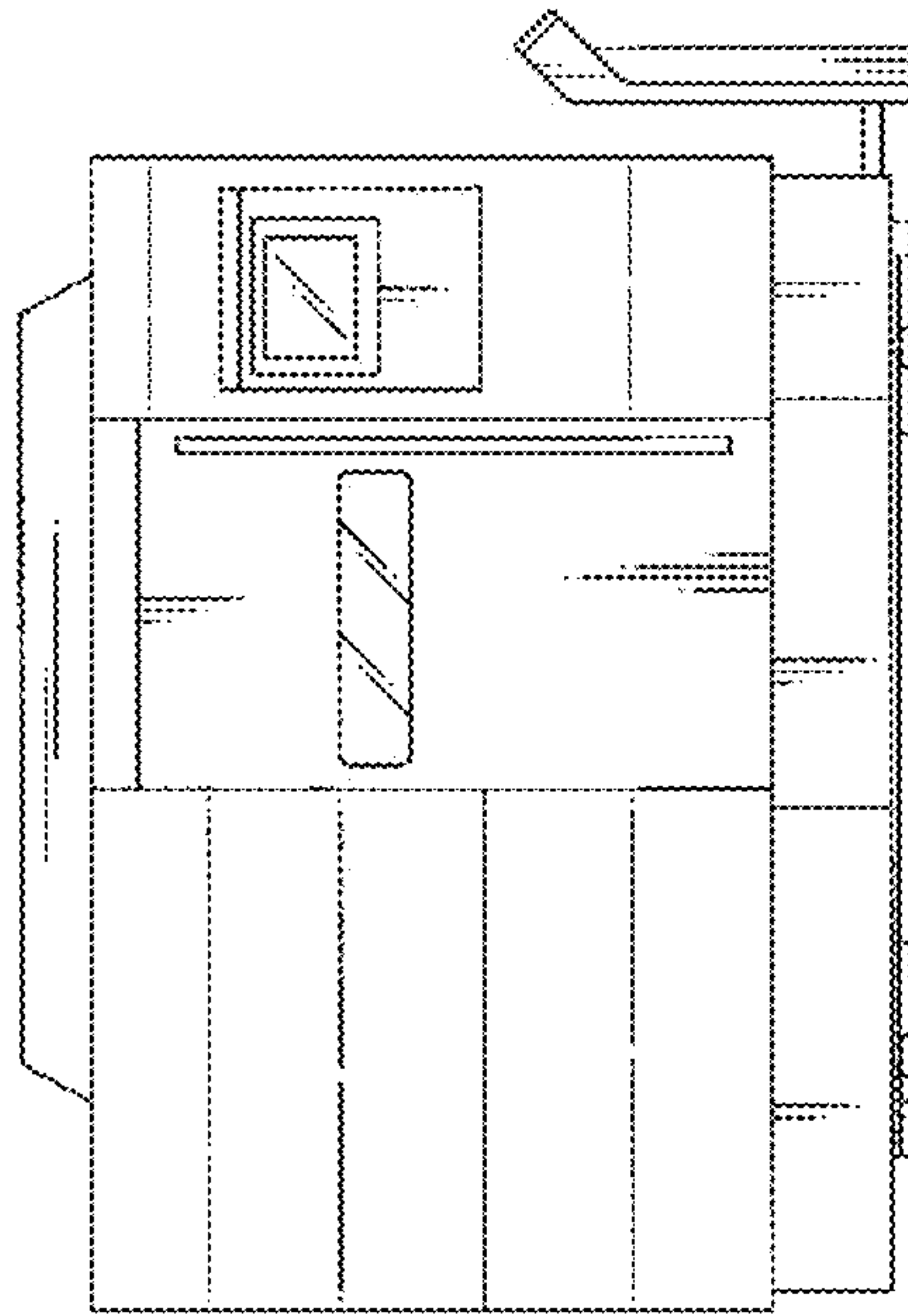


Fig. 5

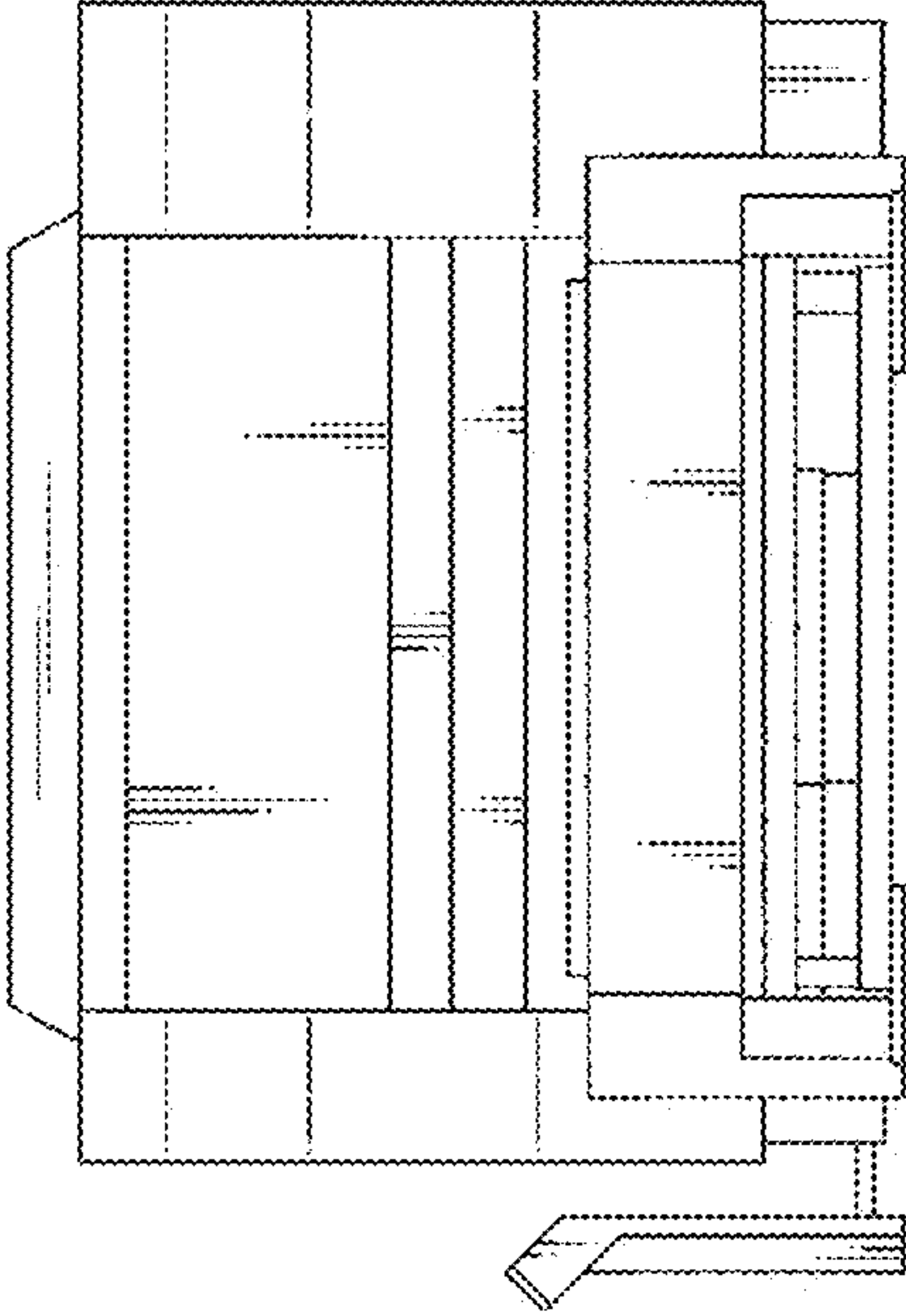


Fig.6

