



US00D683770S

(12) **United States Design Patent**  
**Corfios**

(10) **Patent No.:** **US D683,770 S**

(45) **Date of Patent:** **\*\* Jun. 4, 2013**

(54) **TILTABLE BUMPER FOR RIDING MOWERS AND SMALL TRACTORS**

(71) Applicant: **Rocky Corfios**, Gibsonville, NC (US)

(72) Inventor: **Rocky Corfios**, Gibsonville, NC (US)

(\*\*) Term: **14 Years**

(21) Appl. No.: **29/436,154**

(22) Filed: **Nov. 1, 2012**

(51) **LOC (9) Cl.** ..... **15-03**

(52) **U.S. Cl.**  
USPC ..... **D15/28**

(58) **Field of Classification Search**  
USPC ..... D15/22–26, 28, 31, 32; D12/169,  
D12/171; 49/57; 293/38, 115, 144, 146, 148  
See application file for complete search history.

(56) **References Cited**

**U.S. PATENT DOCUMENTS**

2,868,399	A *	1/1959	Fortier	.....	414/703
D258,502	S *	3/1981	Nespor	.....	D12/170
D258,814	S *	4/1981	Stewart	.....	D12/162
D272,827	S *	2/1984	Sapelak	.....	D15/28
4,469,360	A *	9/1984	Drury	.....	293/102
D300,420	S *	3/1989	Trinnaman	.....	D12/171
D307,256	S *	4/1990	Holland	.....	D12/171
D308,037	S *	5/1990	Aiken	.....	D12/169
D308,957	S *	7/1990	Bennie	.....	D12/169
D333,457	S *	2/1993	La Foe et al.	.....	D12/171
D347,846	S *	6/1994	Derreberry et al.	.....	D15/28
D361,772	S *	8/1995	Hulsey	.....	D15/32
5,664,348	A *	9/1997	Omann	.....	37/405
D395,319	S *	6/1998	Kortenhorn et al.	.....	D15/31
D440,530	S *	4/2001	Geisler	.....	D12/171

D456,822	S *	5/2002	Westimayer et al.	.....	D15/31
D476,606	S *	7/2003	Hamm et al.	.....	D12/169
D485,219	S *	1/2004	Hamm et al.	.....	D12/169
D497,850	S *	11/2004	Dooley	.....	D12/169
D577,319	S *	9/2008	Storer	.....	D12/171
D669,504	S *	10/2012	Higashikawa	.....	D15/28

\* cited by examiner

*Primary Examiner* — Mark Goodwin

(74) *Attorney, Agent, or Firm* — MacCord Mason PLLC

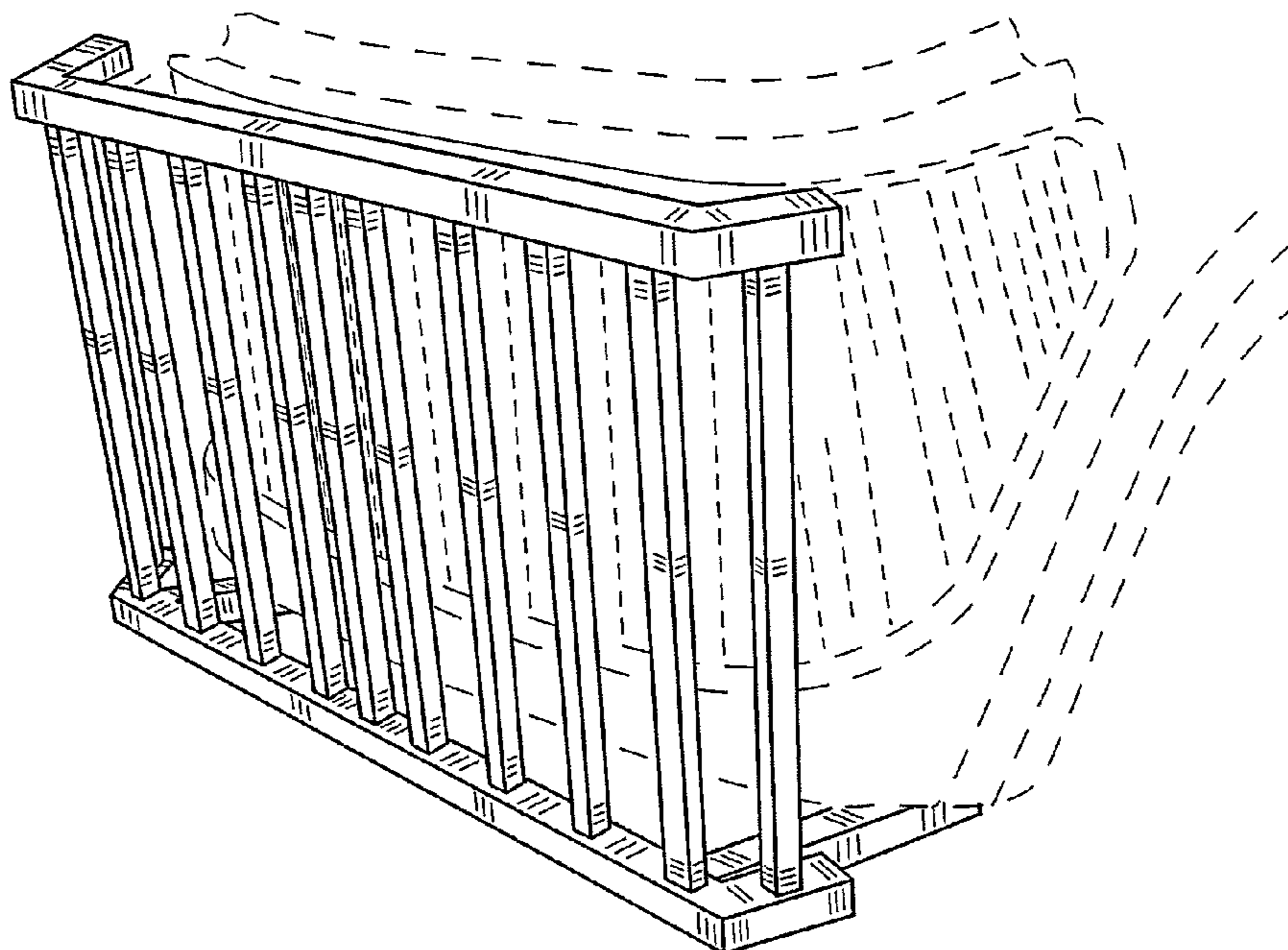
(57) **CLAIM**

The ornamental design for a tiltable bumper for riding mowers and small tractors, as shown and described.

**DESCRIPTION**

FIG. 1 is a top perspective view of a tiltable bumper for riding mowers and small tractors showing my new design with the bumper in an upright position;  
 FIG. 2 is a top view thereof;  
 FIG. 3 is a top perspective view thereof;  
 FIG. 4 is a bottom view thereof;  
 FIG. 5 is a front perspective view thereof;  
 FIG. 6 is a rear view thereof;  
 FIG. 7 is a right view thereof;  
 FIG. 8 is a left perspective view, showing the bumper in a lowered position;  
 FIG. 9 is a left view, showing the bumper in an upright position; and,  
 FIG. 10 is a right perspective view, showing the bumper in a tilted position.  
 The subject matter shown in dashed lines illustrates environment only and forms no part of the present design.

**1 Claim, 5 Drawing Sheets**



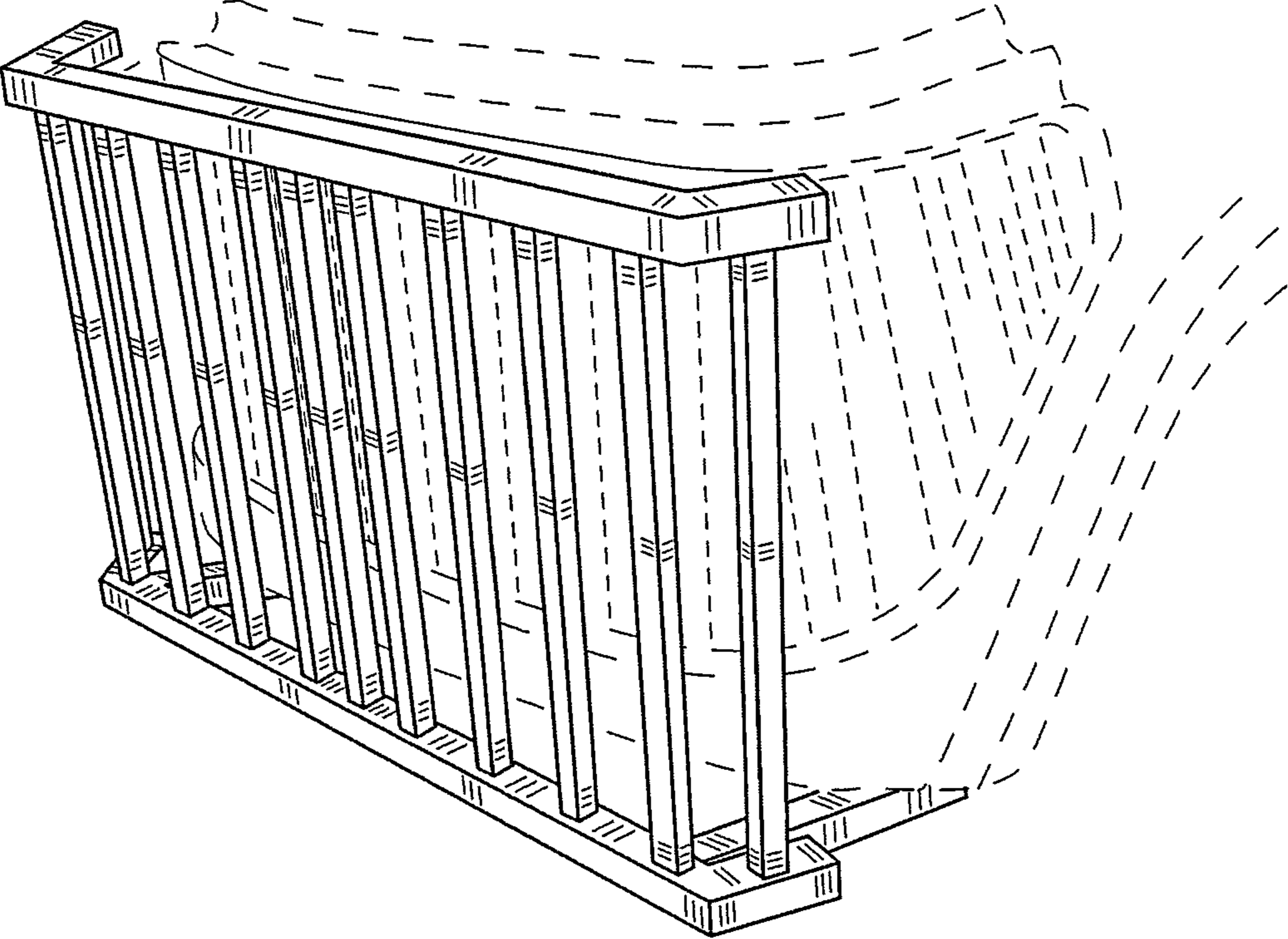


FIG. 1

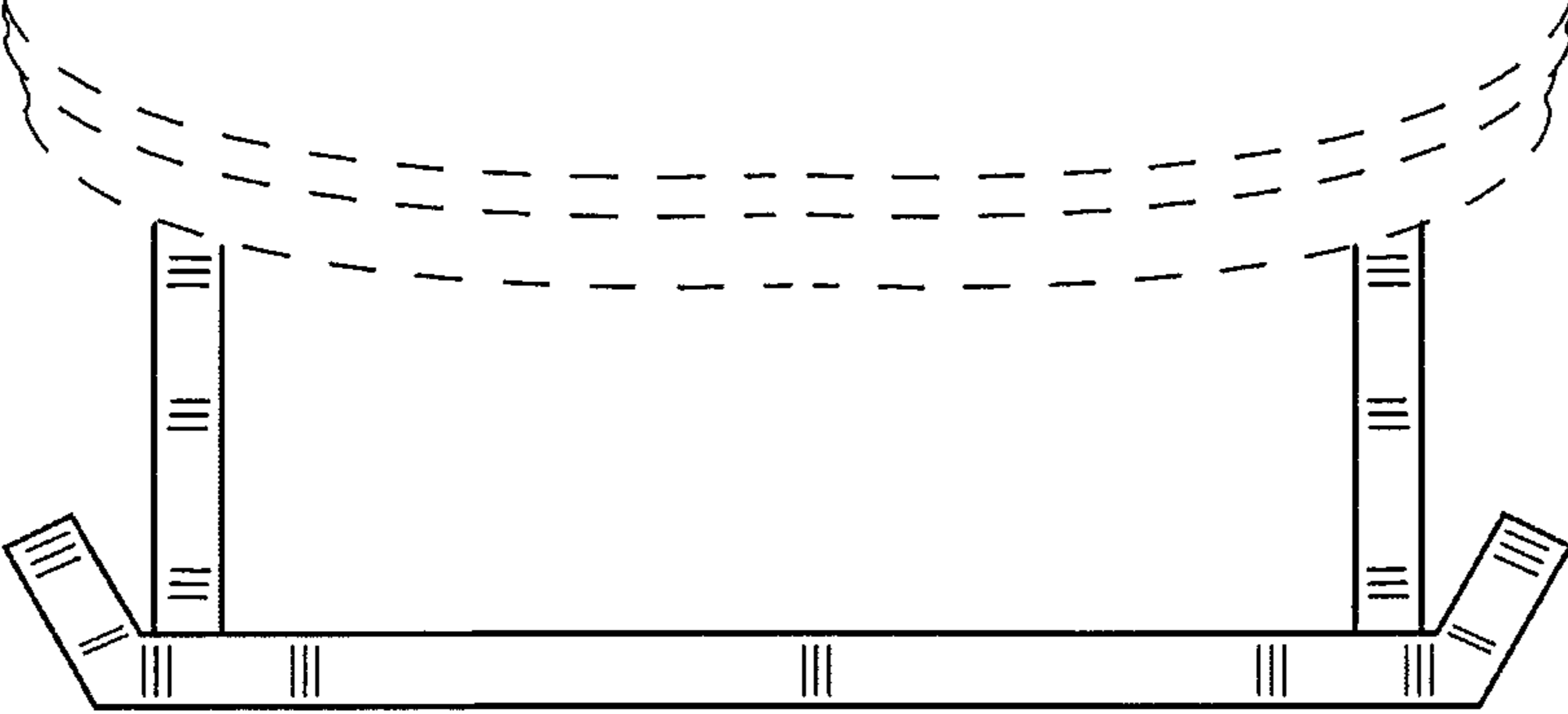


FIG. 2

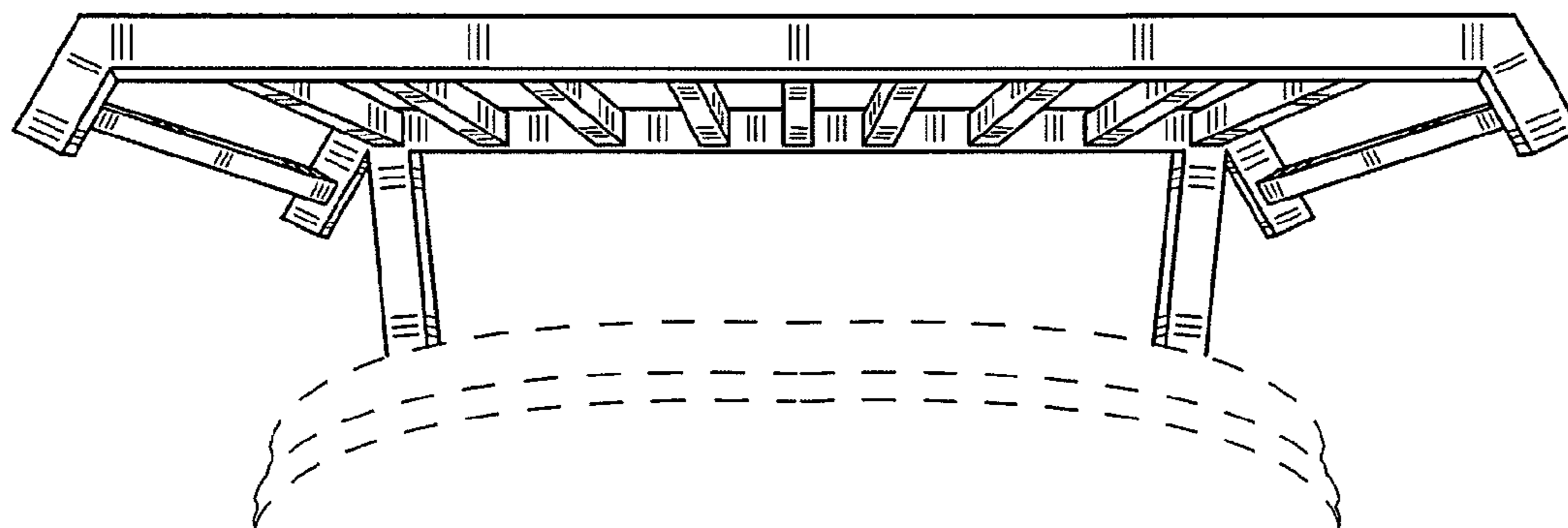


FIG. 3

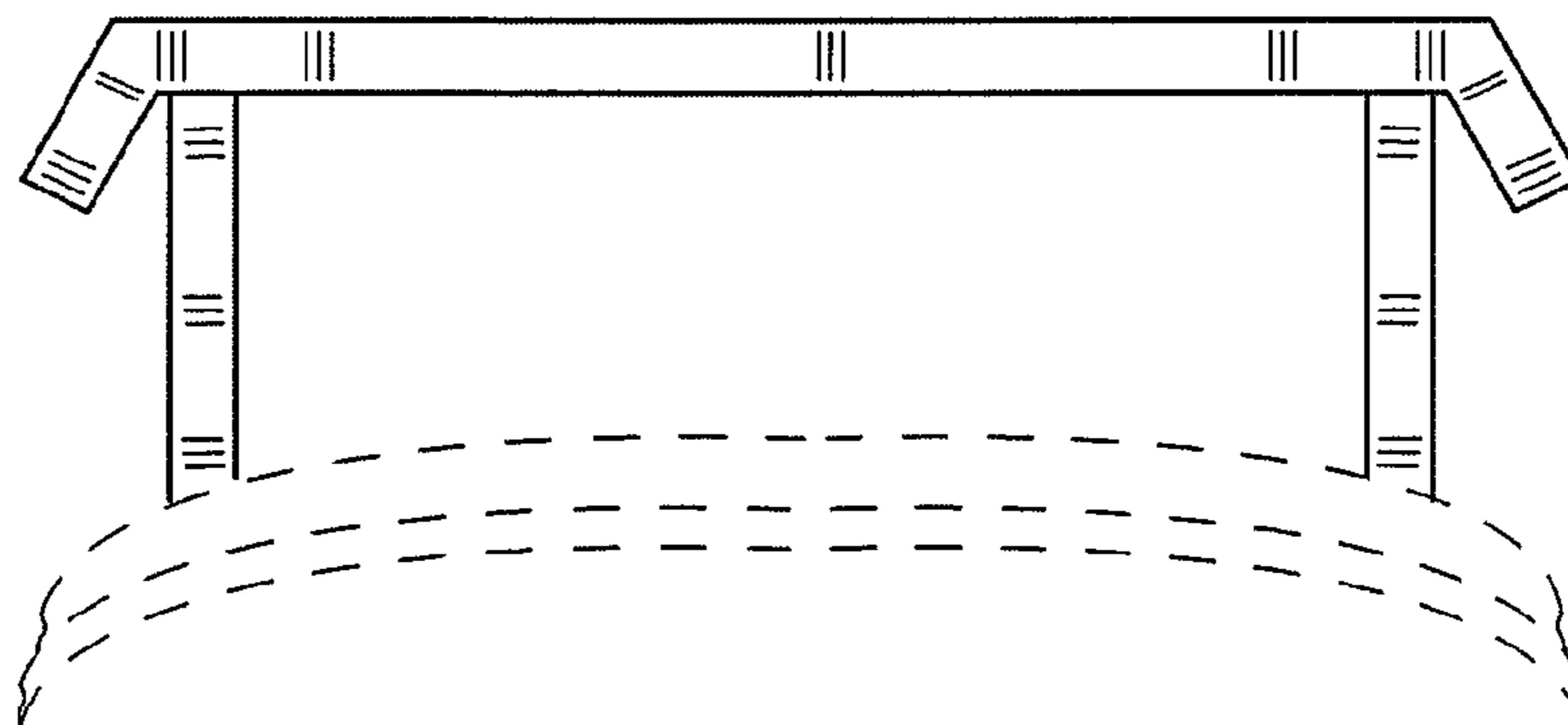


FIG. 4

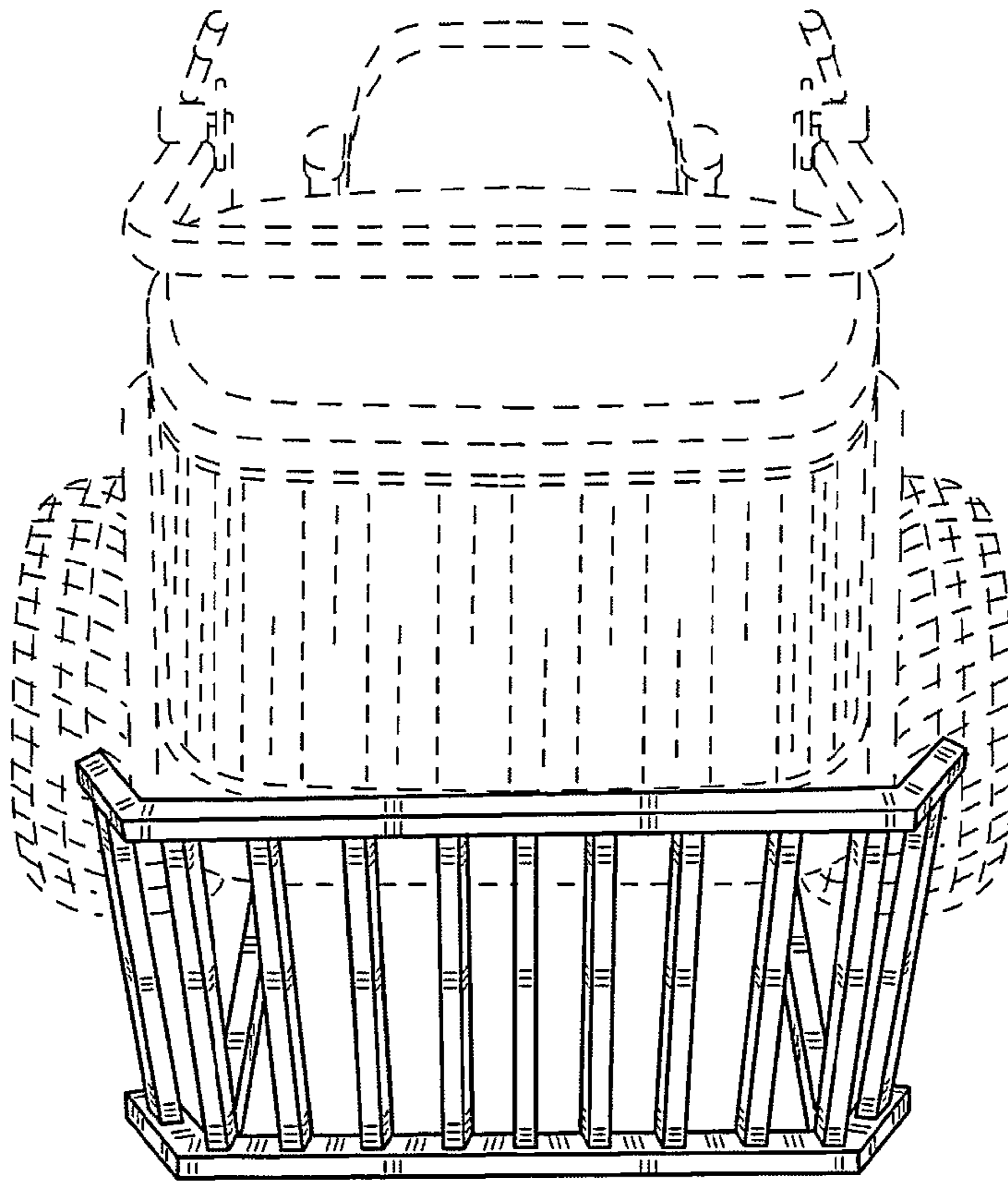


FIG. 5

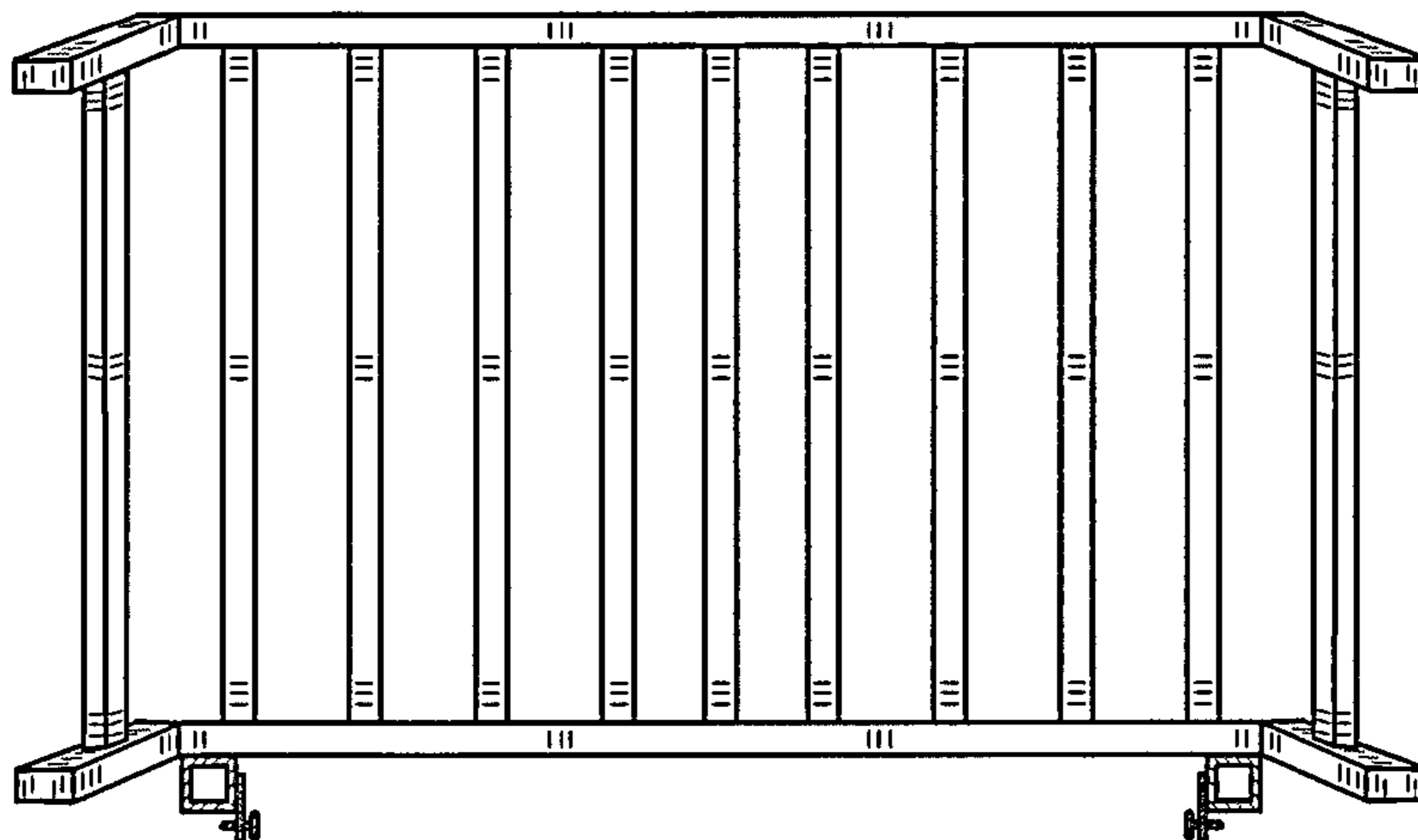


FIG. 6

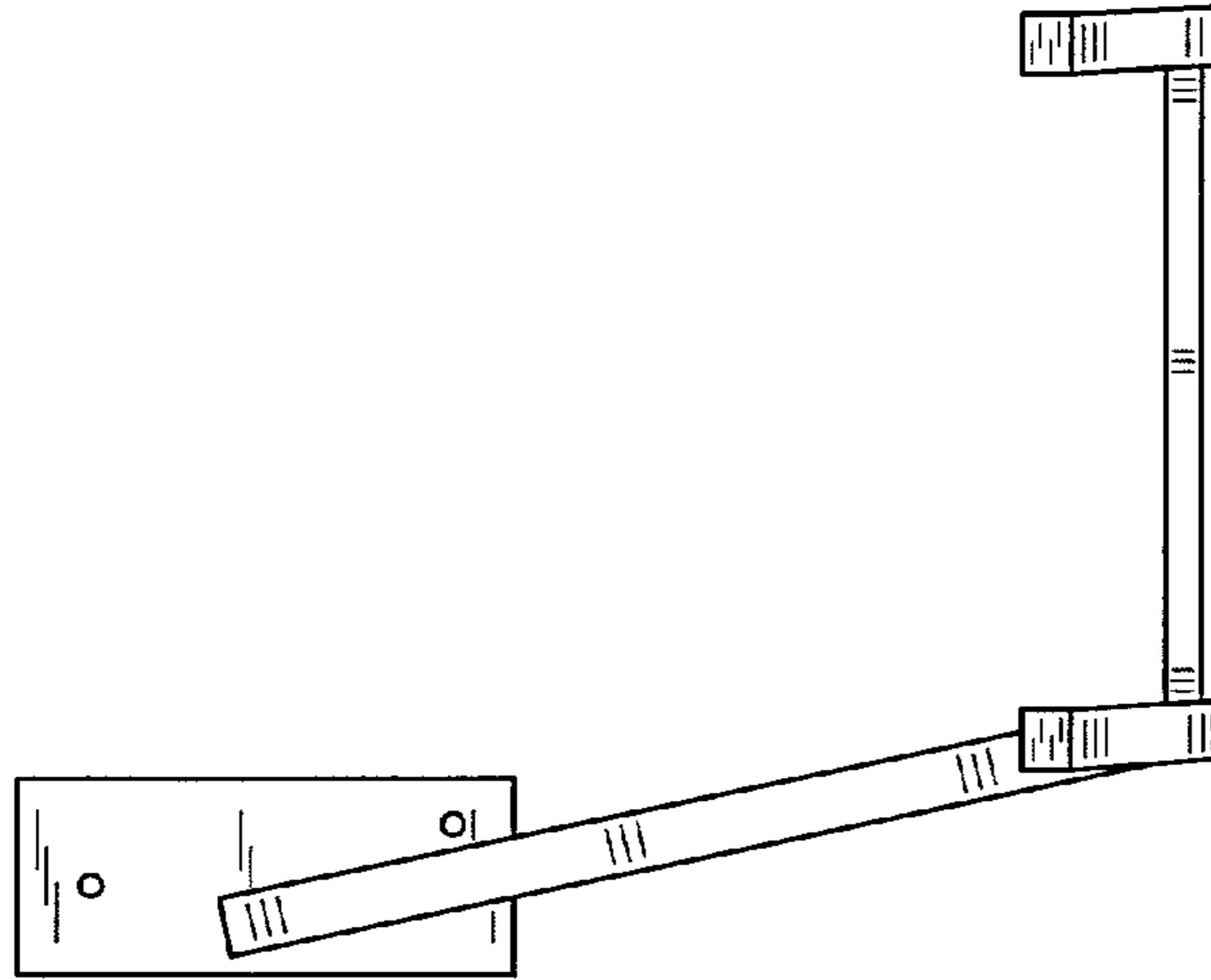


FIG. 7

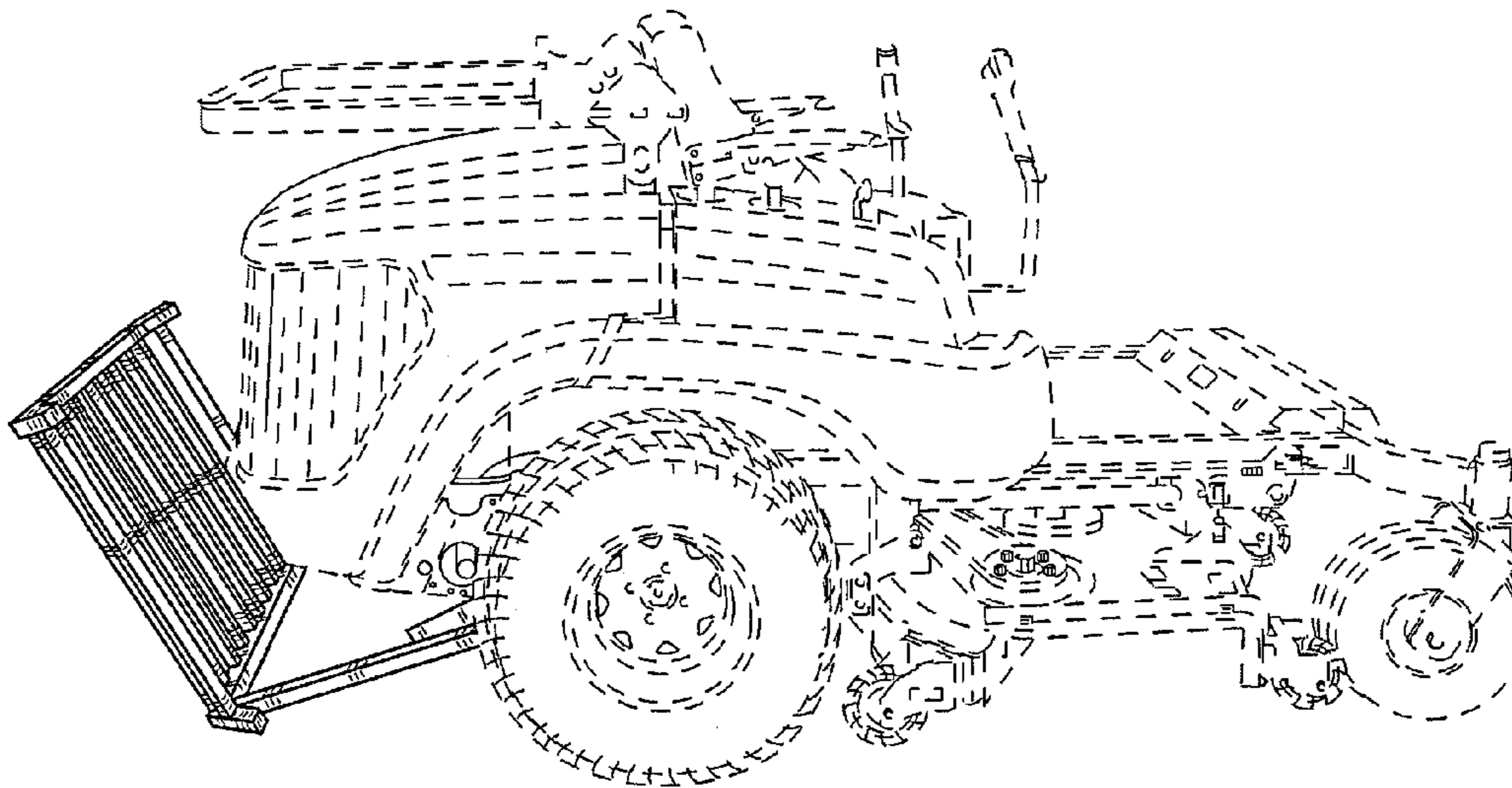


FIG. 8

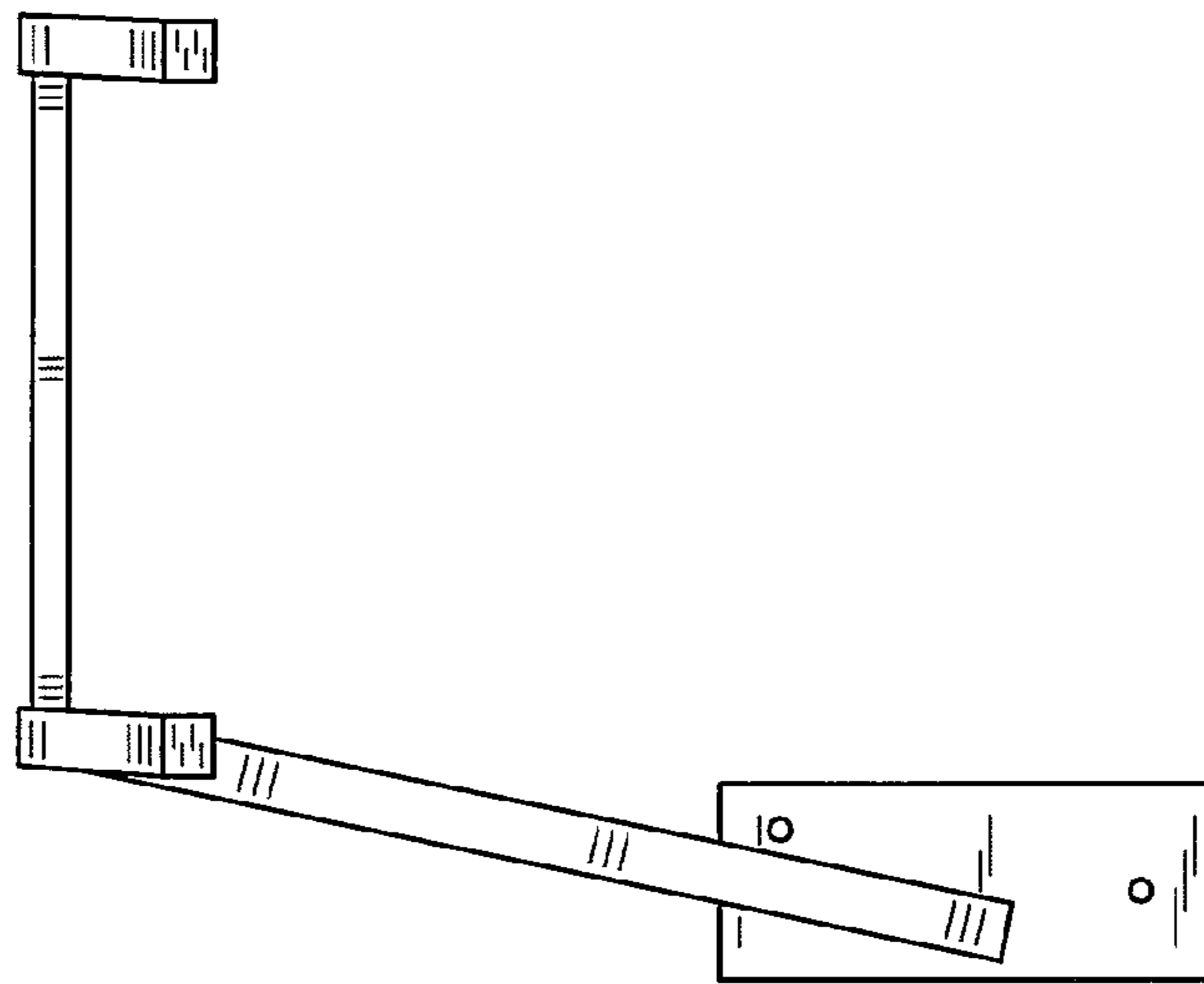


FIG. 9

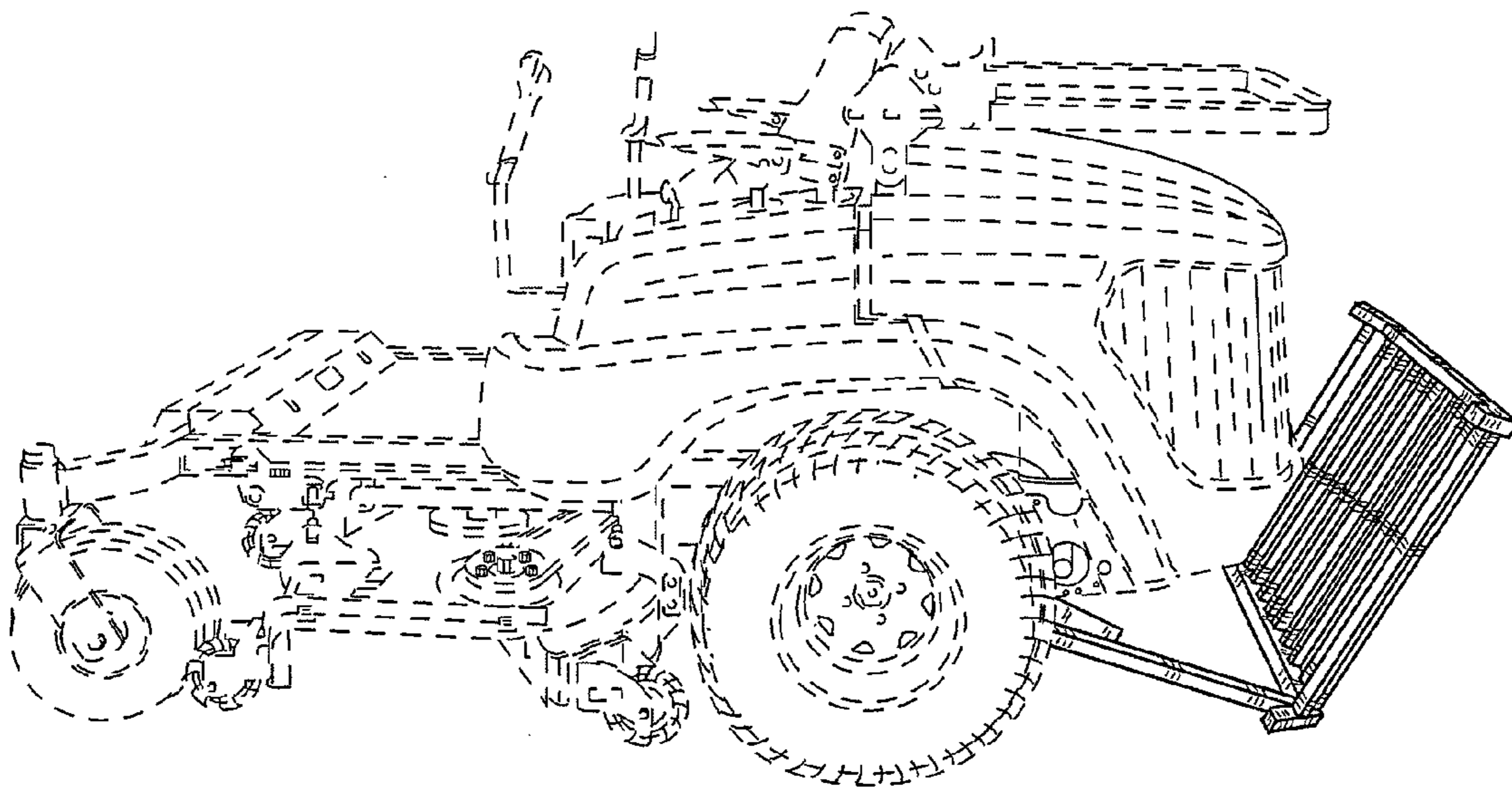


FIG. 10