



US00D683767S

(12) **United States Design Patent**  
**Yoshimura et al.**

(10) **Patent No.:** **US D683,767 S**  
(45) **Date of Patent:** **\*\* \*Jun. 4, 2013**

(54) **MULTI-POSITION CYLINDER**

(75) Inventors: **Shinichi Yoshimura**, Tsukubamirai (JP);  
**Youji Takakuwa**, Tsukubamirai (JP);  
**Kengo Monden**, Tsukubamirai (JP);  
**Atsushi Fujiwara**, Tsukubamirai (JP);  
**Junji Itabashi**, Moriya (JP)

(73) Assignee: **SMC Corporation**, Tokyo (JP)

(\*) Notice: This patent is subject to a terminal disclaimer.

(\*\*) Term: **14 Years**

(21) Appl. No.: **29/383,686**

(22) Filed: **Jan. 20, 2011**

(30) **Foreign Application Priority Data**

Jul. 21, 2010 (JP) ..... 2010-17707

(51) **LOC (9) Cl.** ..... **15-01**

(52) **U.S. Cl.**  
USPC ..... **D15/5; D15/9**

(58) **Field of Classification Search** ..... D15/5,  
D15/7-9; D23/231, 232, 225; 417/60, 235,  
417/265, 321, 355, 358, 363, 359, 410.1,  
417/415, 416, 405, 900  
See application file for complete search history.

(56) **References Cited**

**U.S. PATENT DOCUMENTS**

D295,049 S \* 4/1988 Kanno ..... D15/7  
D378,214 S \* 2/1997 Ikumi ..... D15/7

D378,680 S \* 4/1997 Ikumi ..... D15/7  
D439,634 S \* 3/2001 Hayashi et al. .... D23/233  
D583,390 S \* 12/2008 Yajima ..... D15/7  
D612,877 S \* 3/2010 Noguchi ..... D15/143  
D619,624 S \* 7/2010 Iwagoshi et al. .... D15/7  
D655,314 S \* 3/2012 Yoshimura et al. .... D15/9

**OTHER PUBLICATIONS**

U.S. Appl. No. 29/371,370, filed Jan. 20, 2011, Yoshimura, et al.

\* cited by examiner

*Primary Examiner* — T. Chase Nelson

*Assistant Examiner* — Ania Aman

(74) *Attorney, Agent, or Firm* — Oblon, Spivak,  
McClelland, Maier & Neustadt, L.L.P.

(57) **CLAIM**

The ornamental design for a multi-position cylinder, as shown and described.

**DESCRIPTION**

FIG. 1 is a front, top, and right side perspective view of a multi-position cylinder;  
FIG. 2 is a rear, bottom, and left side perspective view thereof;  
FIG. 3 is a front elevational view thereof;  
FIG. 4 is a rear elevational view thereof;  
FIG. 5 is a top plan view thereof;  
FIG. 6 is a bottom plan view thereof;  
FIG. 7 is a left side elevational view thereof; and,  
FIG. 8 is a right side elevational view thereof.  
The broken lines in the drawings depict environmental subject matter only and form no part of the claimed design.

**1 Claim, 4 Drawing Sheets**

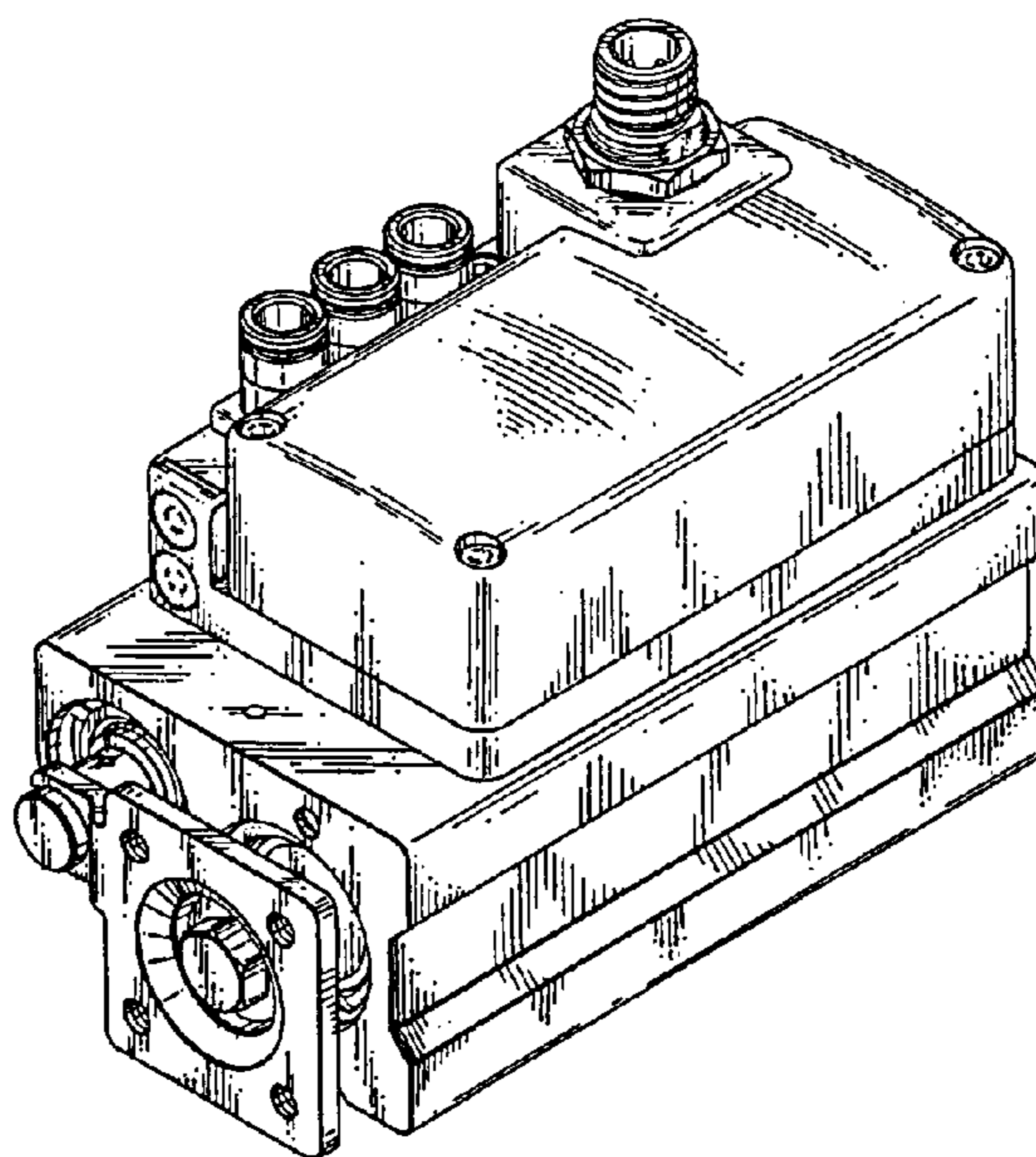


Fig. 1

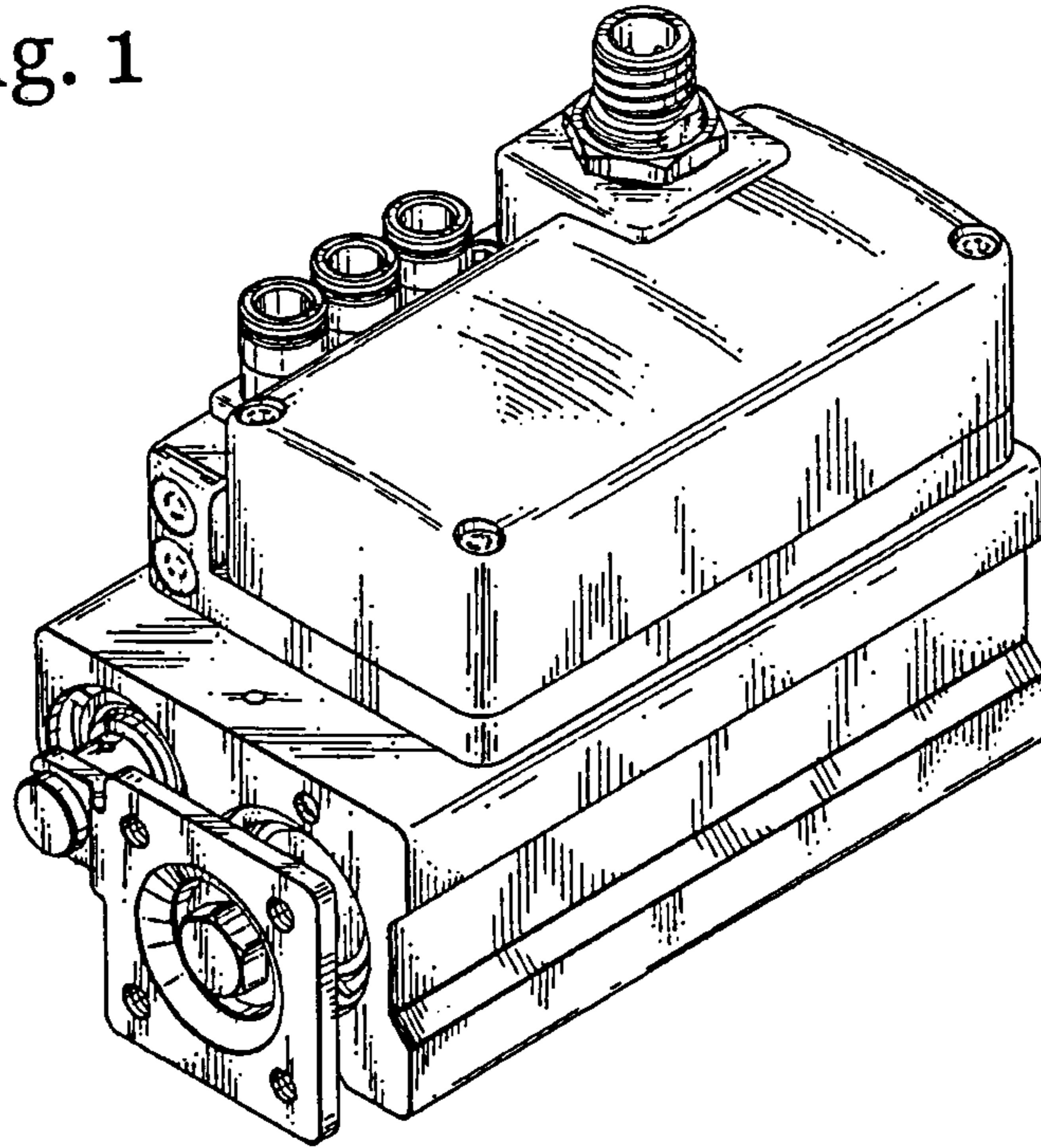


Fig. 2

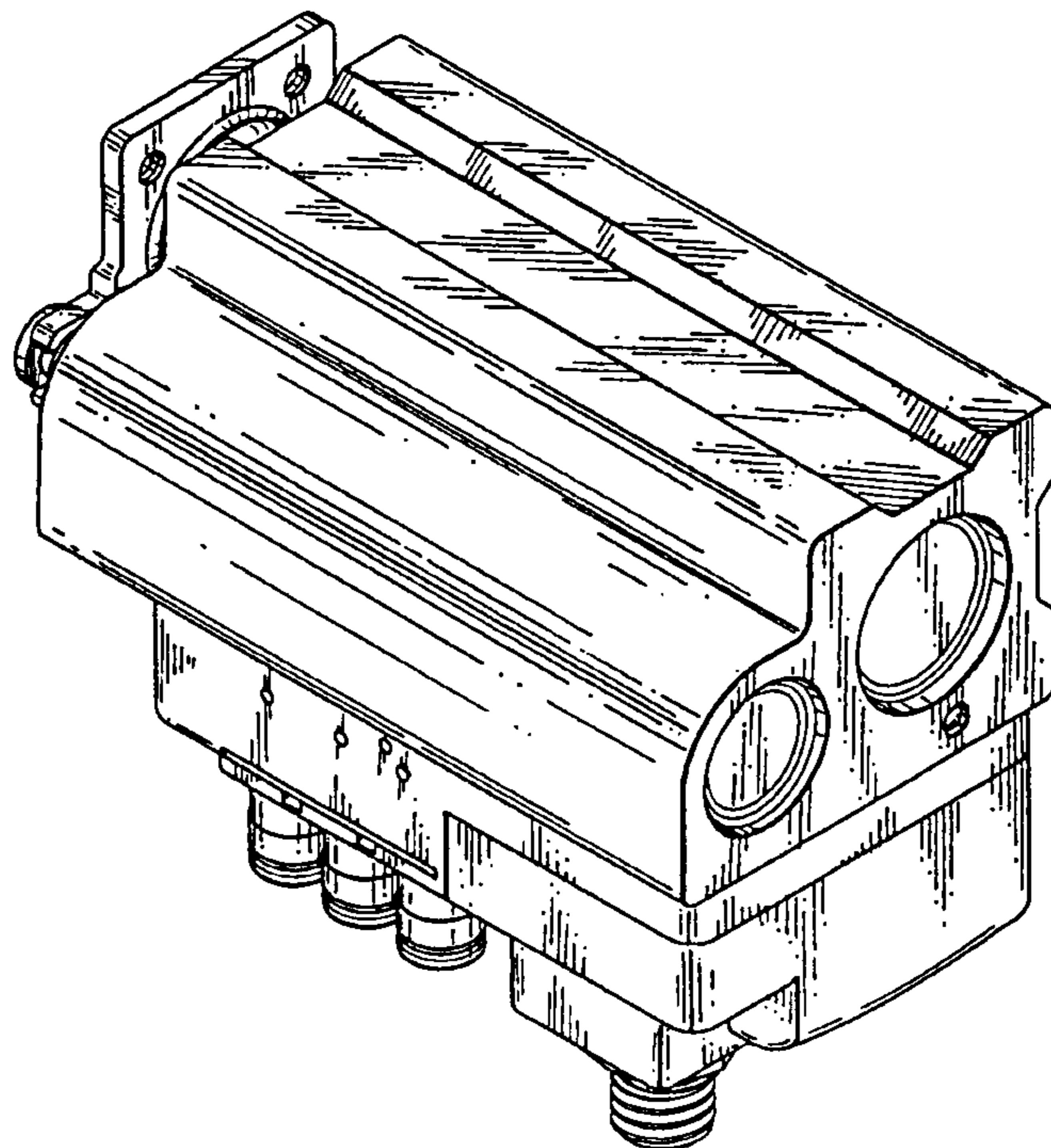


Fig. 3

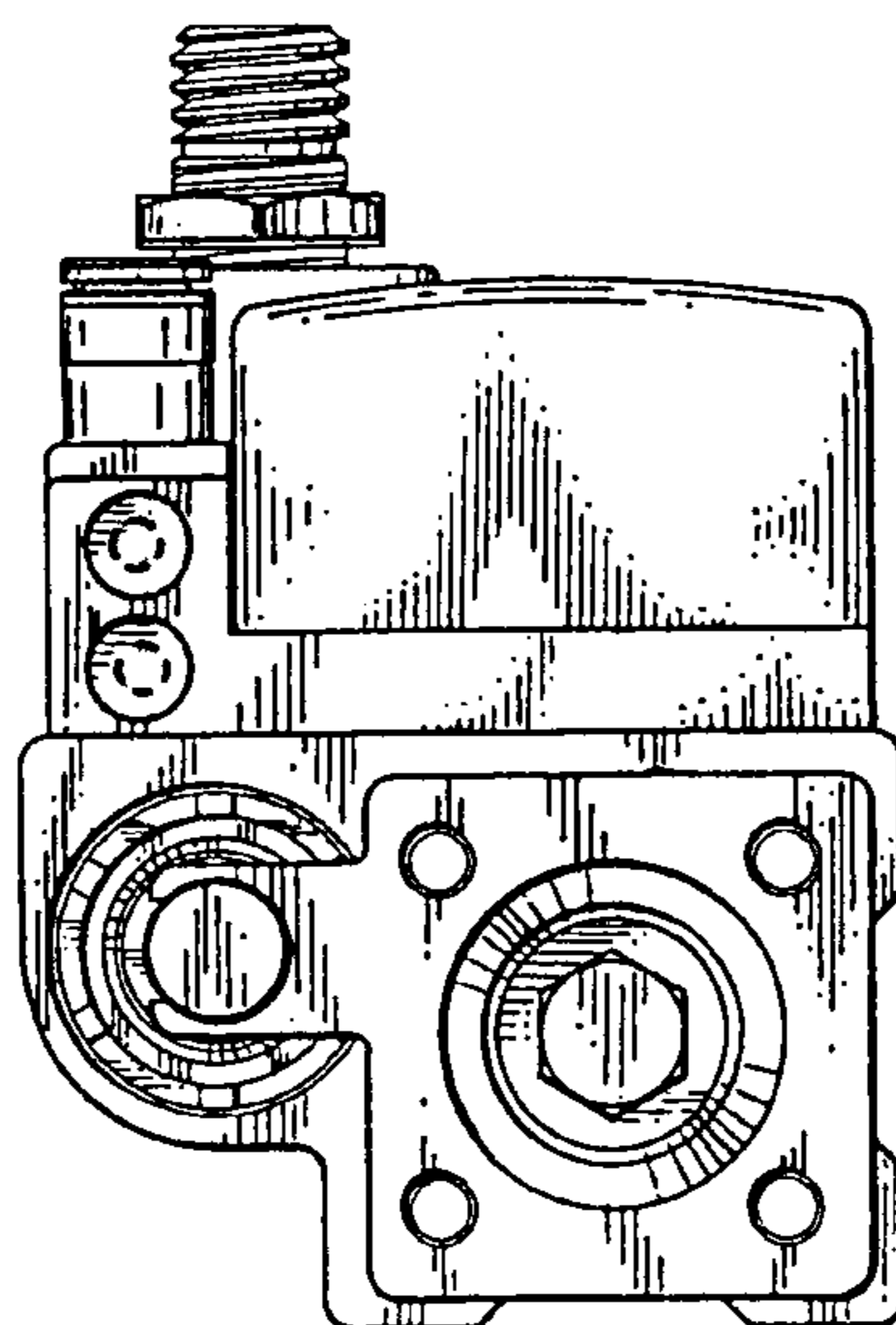


Fig. 4

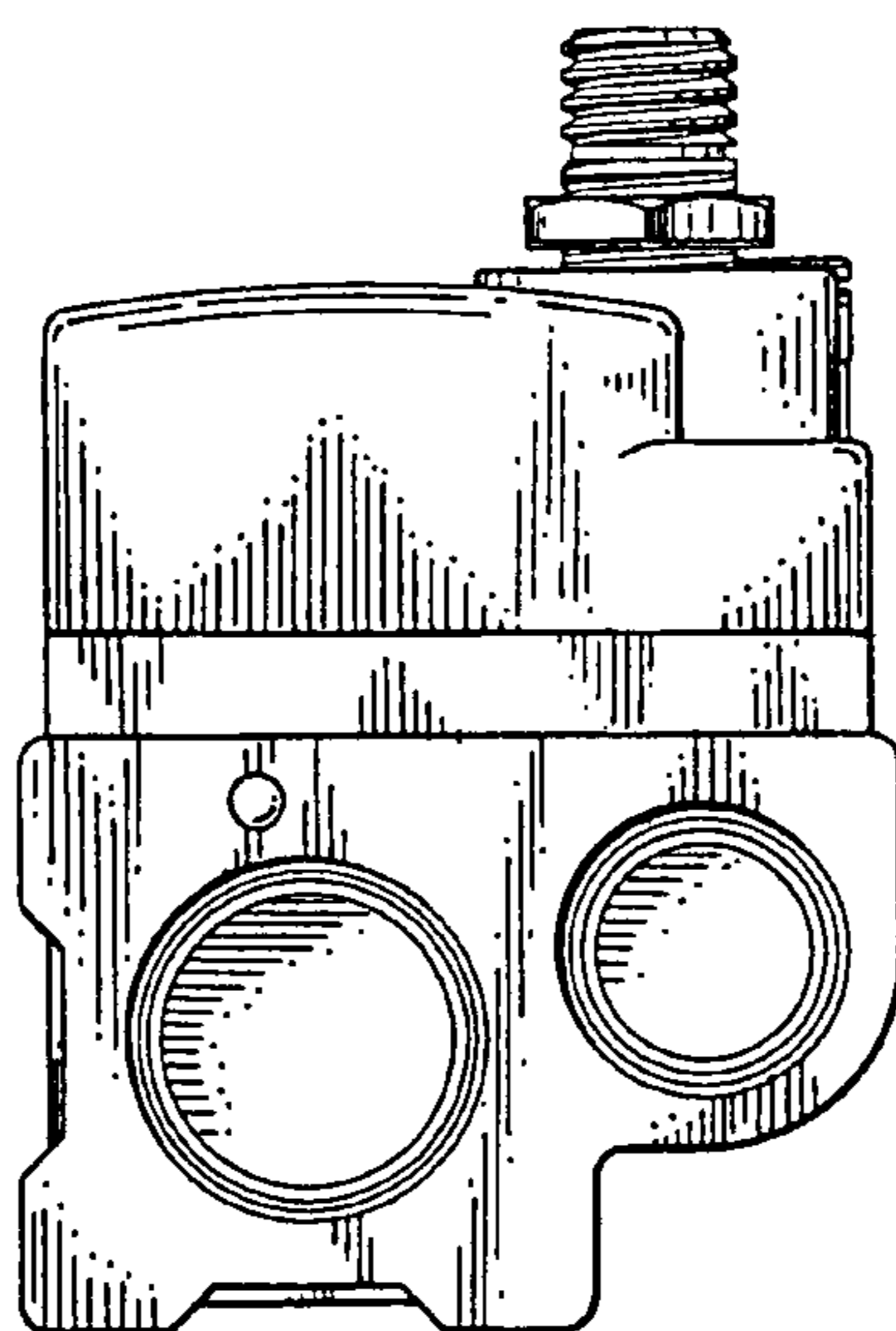


Fig. 5

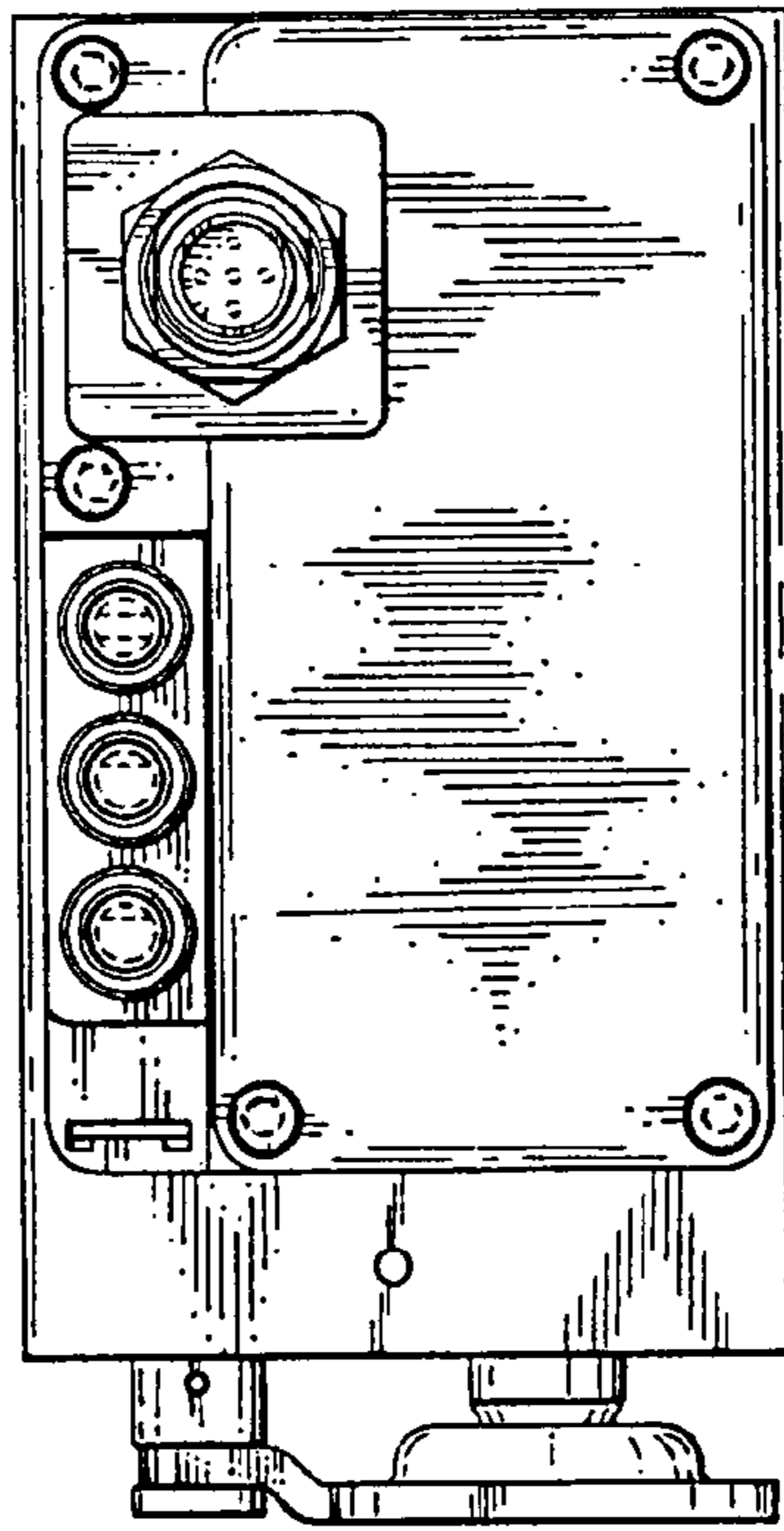


Fig. 6

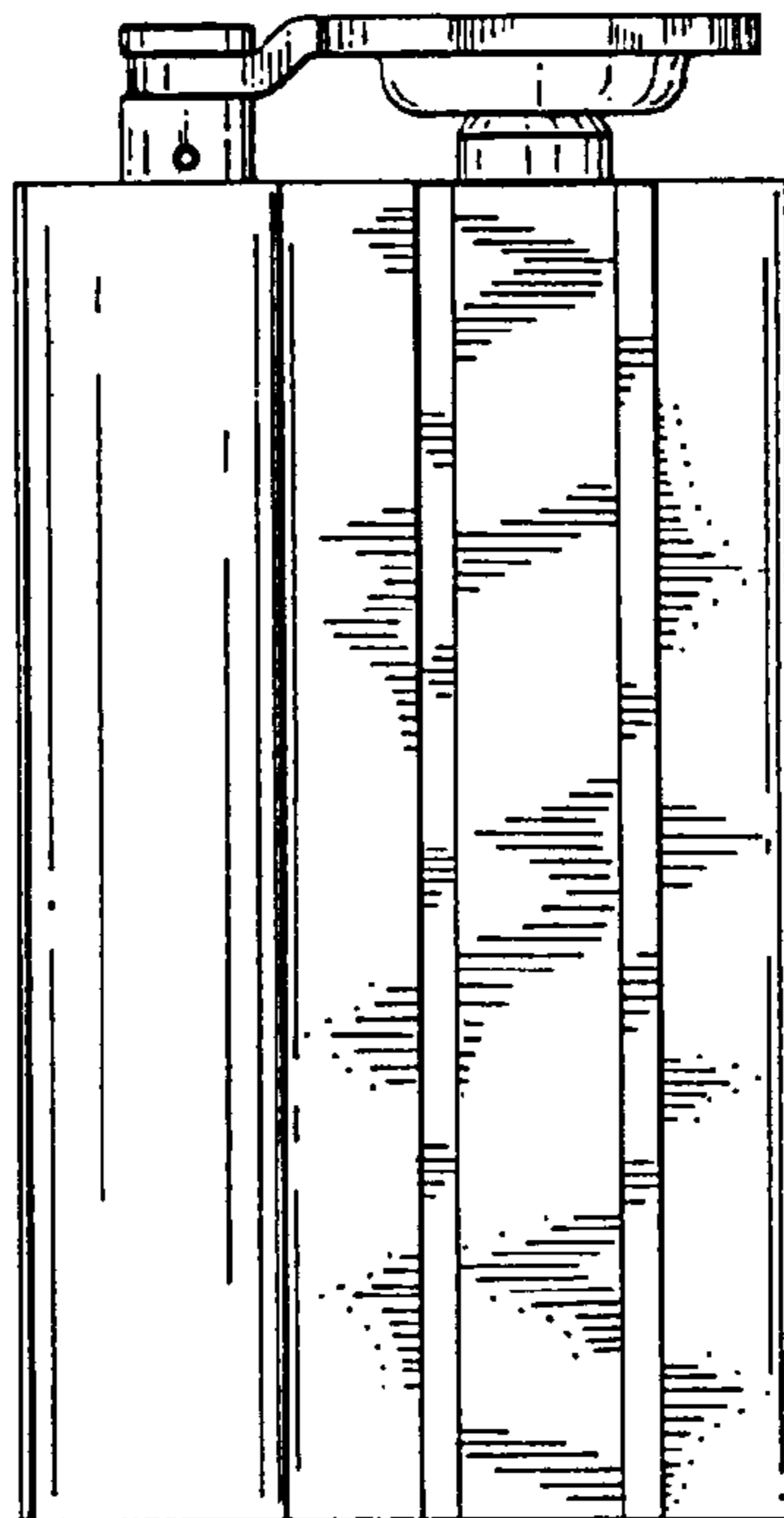


Fig. 7

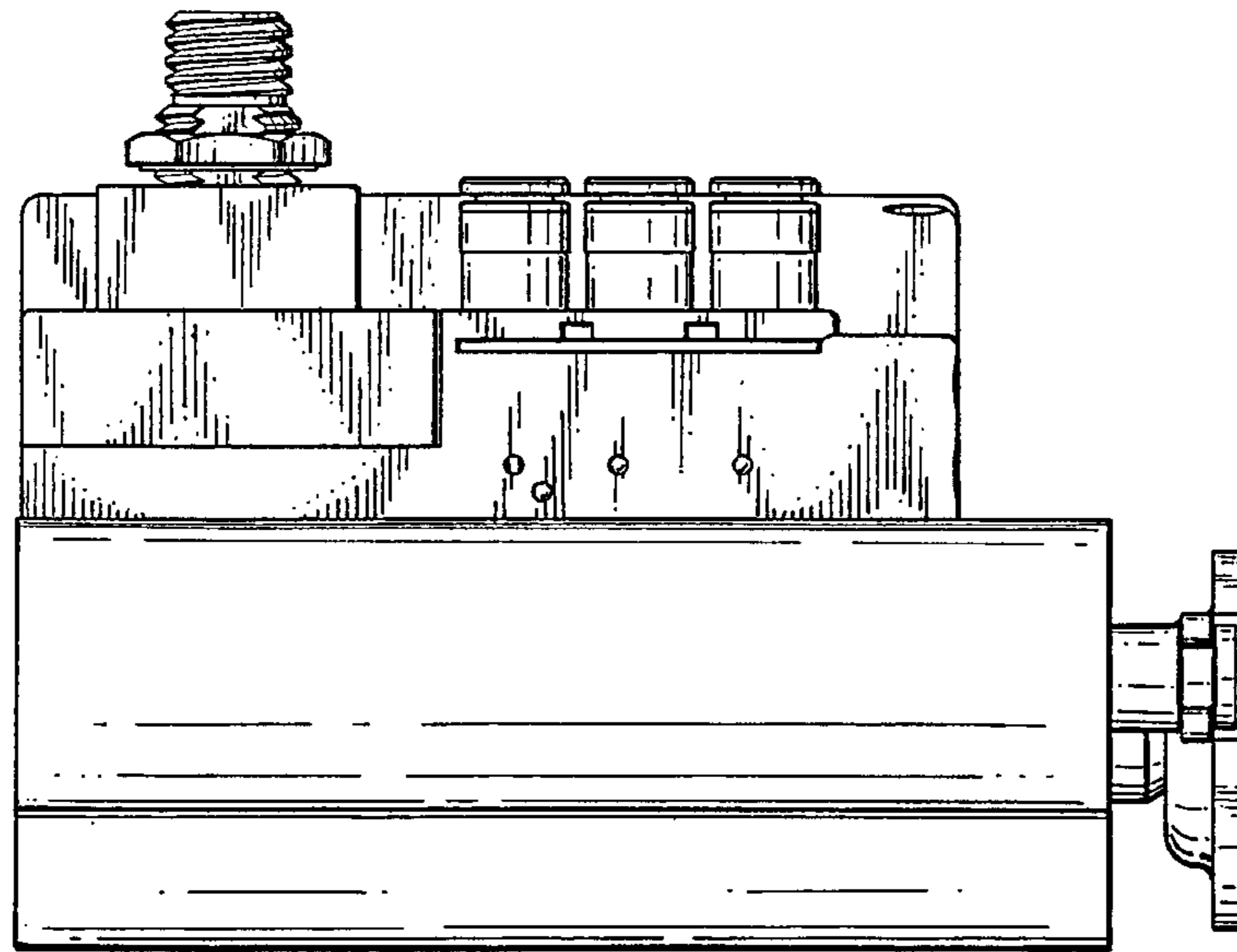


Fig. 8

