

US00D683766S

(12) **United States Design Patent**
Uchiyama

(10) **Patent No.:** **US D683,766 S**
(45) **Date of Patent:** **** Jun. 4, 2013**

(54) **DISC PLAYER**

(75) Inventor: **Jun Uchiyama**, Tokyo (JP)

(73) Assignee: **Sony Corporation**, Tokyo (JP)

(**) Term: **14 Years**

(21) Appl. No.: **29/371,699**

(22) Filed: **Jul. 21, 2011**

(30) **Foreign Application Priority Data**

Mar. 30, 2011 (CN) 2011 3 0060746

(51) **LOC (9) Cl.** **14-03**

(52) **U.S. Cl.**
USPC **D14/511**; D14/456

(58) **Field of Classification Search**
USPC D14/135, 157, 168, 188, 197-198,
D14/257-258, 348, 356, 363, 365, 367-368,
D14/498-511; 360/99.02, 99.07; 369/75.11,
369/75.21, 77.11, 77.21; 455/344, 347-351
See application file for complete search history.

(56) **References Cited**

U.S. PATENT DOCUMENTS

D316,716 S *	5/1991	Nagata	D14/188
D372,915 S *	8/1996	Ito et al.	D14/188
D383,461 S *	9/1997	Ito et al.	D14/188
D426,221 S	6/2000	Shindo		
D432,112 S	10/2000	Hisatsune		
D439,899 S *	4/2001	Kawase	D14/370
D459,721 S *	7/2002	Gonopolskaya et al.	D14/257
D489,718 S *	5/2004	Kataoka	D14/346
D517,058 S	3/2006	Hisatsune		
D521,476 S	5/2006	Hisatsune		
D529,013 S *	9/2006	Hsiung et al.	D14/505
D532,781 S	11/2006	Ohno		
D551,238 S *	9/2007	O'Neil et al.	D14/456
D560,176 S *	1/2008	Woo	D14/125

D580,899 S	11/2008	Masui		
D583,384 S *	12/2008	O'Neil et al.	D14/455
D588,143 S *	3/2009	O'Neil et al.	D14/455
D591,720 S	5/2009	Motoishi		
D613,269 S *	4/2010	Masui et al.	D14/217
D622,259 S *	8/2010	Joseph et al.	D14/171
D626,568 S *	11/2010	Yagi	D14/505

FOREIGN PATENT DOCUMENTS

JP	D1226379 S	12/2004
JP	D1230878 S	2/2005
JP	D1239202 S	5/2005
JP	D1266378 S	3/2006
JP	D1277605 S	7/2006
JP	D1292400 S	1/2007
JP	D1327222 S	4/2008
JP	D1363009 S	6/2009
JP	D1381989 S	3/2010
WO	WO-000020870-0002 S	7/2003

* cited by examiner

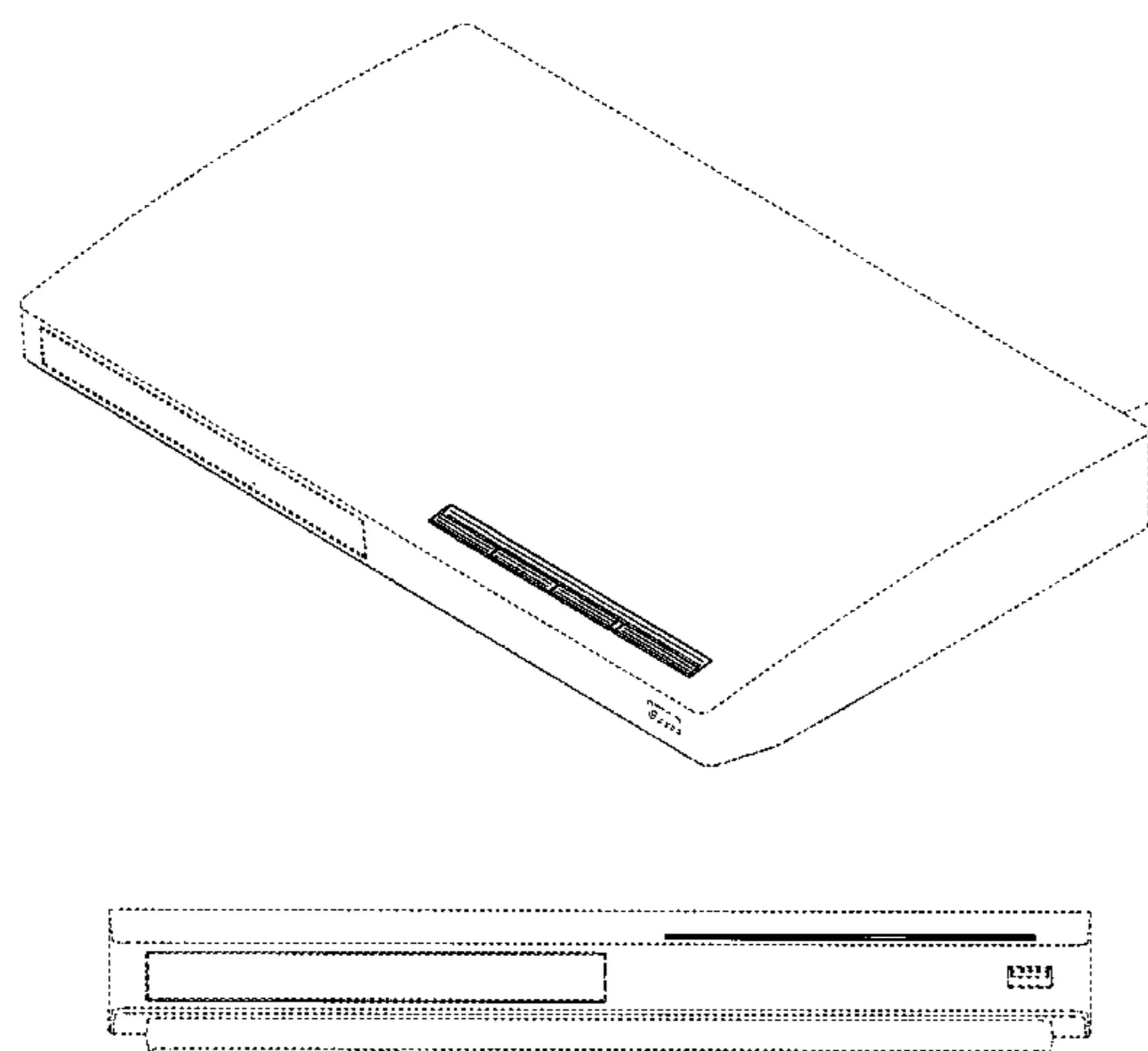
Primary Examiner — Keli L Hill
(74) *Attorney, Agent, or Firm* — Rader, Fishman & Grauer PLLC

(57) **CLAIM**
The ornamental design for a disc player, as shown and described.

DESCRIPTION

FIG. 1 is a perspective view of a disc player showing my new design;
FIG. 2 is a front elevational view thereof;
FIG. 3 is a left side elevational view thereof;
FIG. 4 is a right side elevational view thereof; and,
FIG. 5 is a top plan view thereof.
The broken lines shown are included for the purpose of illustrating the unclaimed portions of the disc player and form no part of the claim.

1 Claim, 4 Drawing Sheets



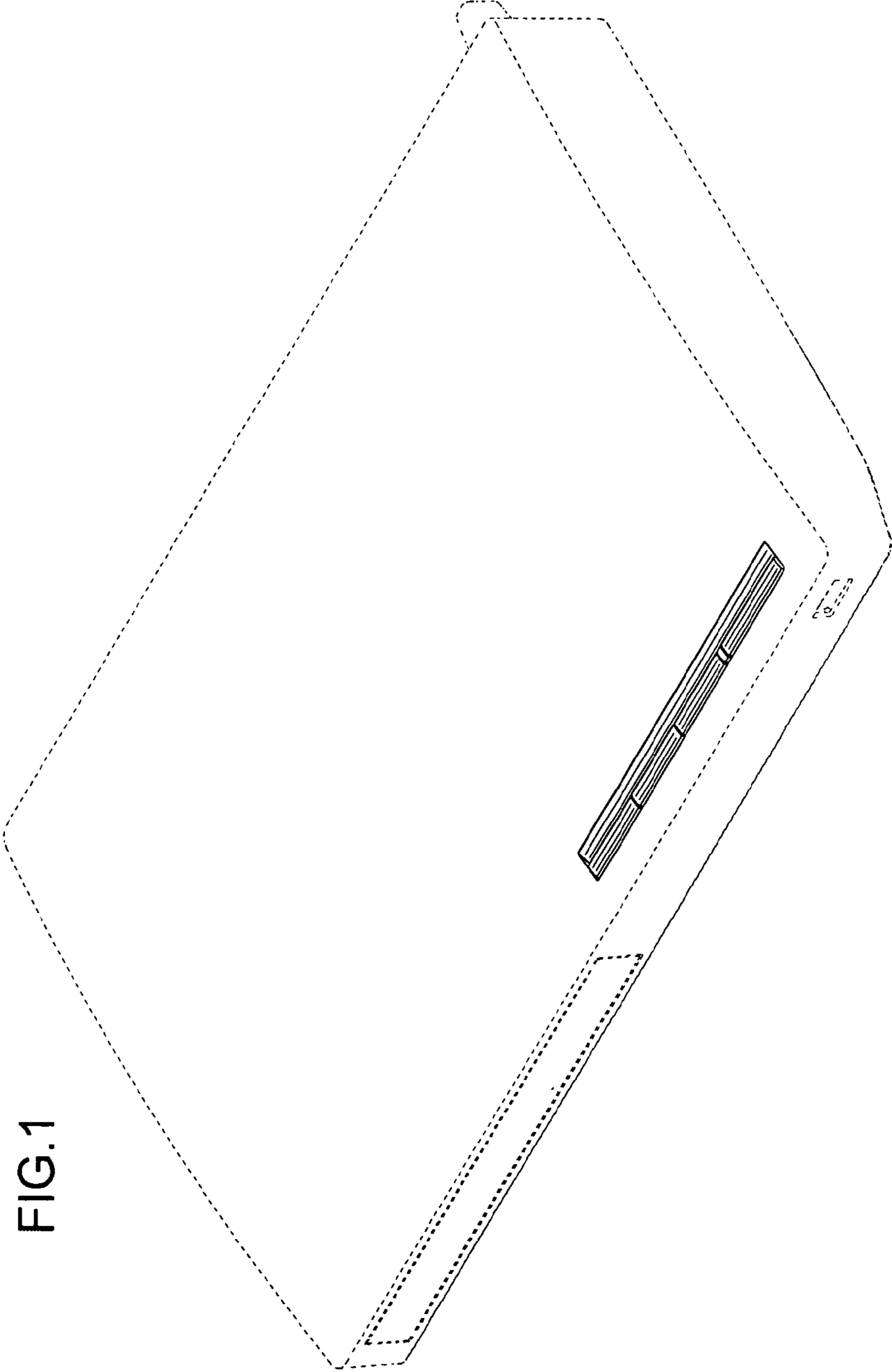


FIG. 1

FIG.2

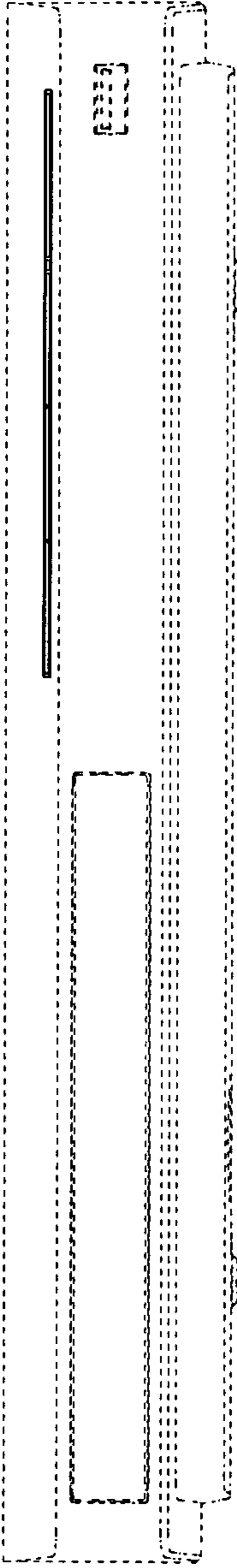


FIG.3

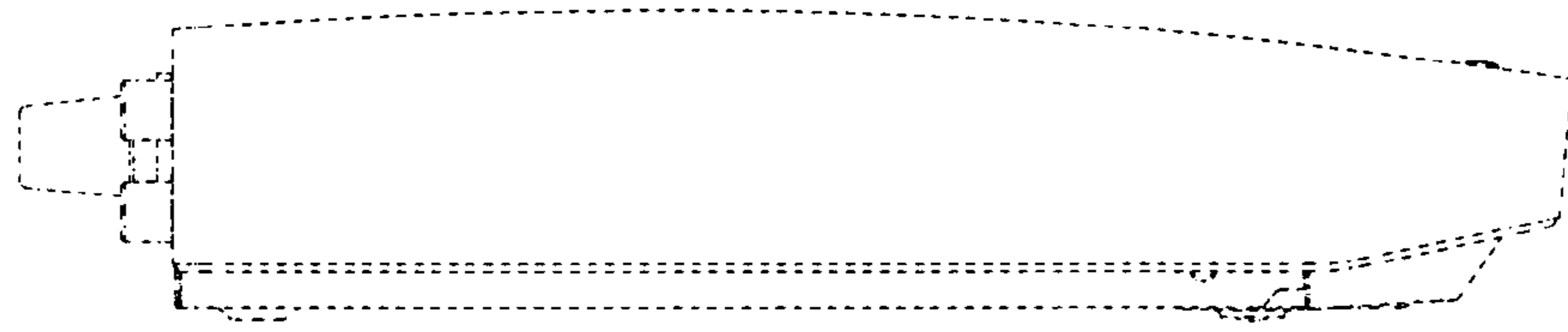


FIG.4

