



US00D683760S

(12) **United States Design Patent**
Ridl et al.

(10) **Patent No.:** **US D683,760 S**
(45) **Date of Patent:** **** Jun. 4, 2013**

(54) **DISPLAY SCREEN WITH ICON**

(75) Inventors: **Ray Ridl**, Fargo, ND (US); **David J. Kocmick**, Holte (DK)

(73) Assignee: **Microsoft Corporation**, Redmond, WA (US)

(**) Term: **14 Years**

(21) Appl. No.: **29/407,882**

(22) Filed: **Dec. 2, 2011**

(51) **LOC (9) Cl.** **14-04**

(52) **U.S. Cl.**
USPC **D14/489**

(58) **Field of Classification Search**
USPC D14/485, 486, 487, 488, 489, 490, D14/491, 492, 493, 494, 495; D18/26, 31, D18/32, 33; D19/6, 52; D20/11, 12, 23, 24, D20/25, 29, 30, 31, 32, 36, 37, 38; 715/700, 715/706, 716, 719, 784, 789, 792, 810, 835, 715/836, 837, 839, 840, 846, 847, 973, 974, 715/975

See application file for complete search history.

D574,846 S 8/2008 O'Donnell et al.
D588,608 S 3/2009 O'Donnell et al.
D590,417 S 4/2009 Barcheck et al.
D597,555 S 8/2009 Ozzie et al.
D613,756 S 4/2010 Moreau et al.
D615,990 S * 5/2010 Chaudhri et al. D14/492
D616,450 S * 5/2010 Simons et al. D14/486
D616,458 S * 5/2010 Pearson et al. D14/488
D616,459 S * 5/2010 Pearson et al. D14/488
D616,460 S * 5/2010 Pearson et al. D14/488
D620,024 S * 7/2010 Dunn et al. D14/493
D642,197 S 7/2011 Barcheck et al.
7,979,796 B2 * 7/2011 Williams et al. 715/700
D650,792 S * 12/2011 Pereira D14/488
D664,563 S * 7/2012 Phelan D14/492
D677,326 S * 3/2013 Gleasman et al. D18/27
2004/0243944 A1 * 12/2004 Sabiers et al. 715/853
2008/0201649 A1 * 8/2008 Mattila et al. 715/763
2009/0235175 A1 * 9/2009 Kardamilas 715/736

(Continued)

OTHER PUBLICATIONS

US Trademark 0868045; filed on Apr. 4, 1968 by Roslyn Stationers.
First use in commerce date: Mar. 10, 1967. (2 pages).*

(Continued)

Primary Examiner — Karen E Eldridge Powers
(74) *Attorney, Agent, or Firm* — Banner & Witcoff, Ltd.

(56) **References Cited**

U.S. PATENT DOCUMENTS

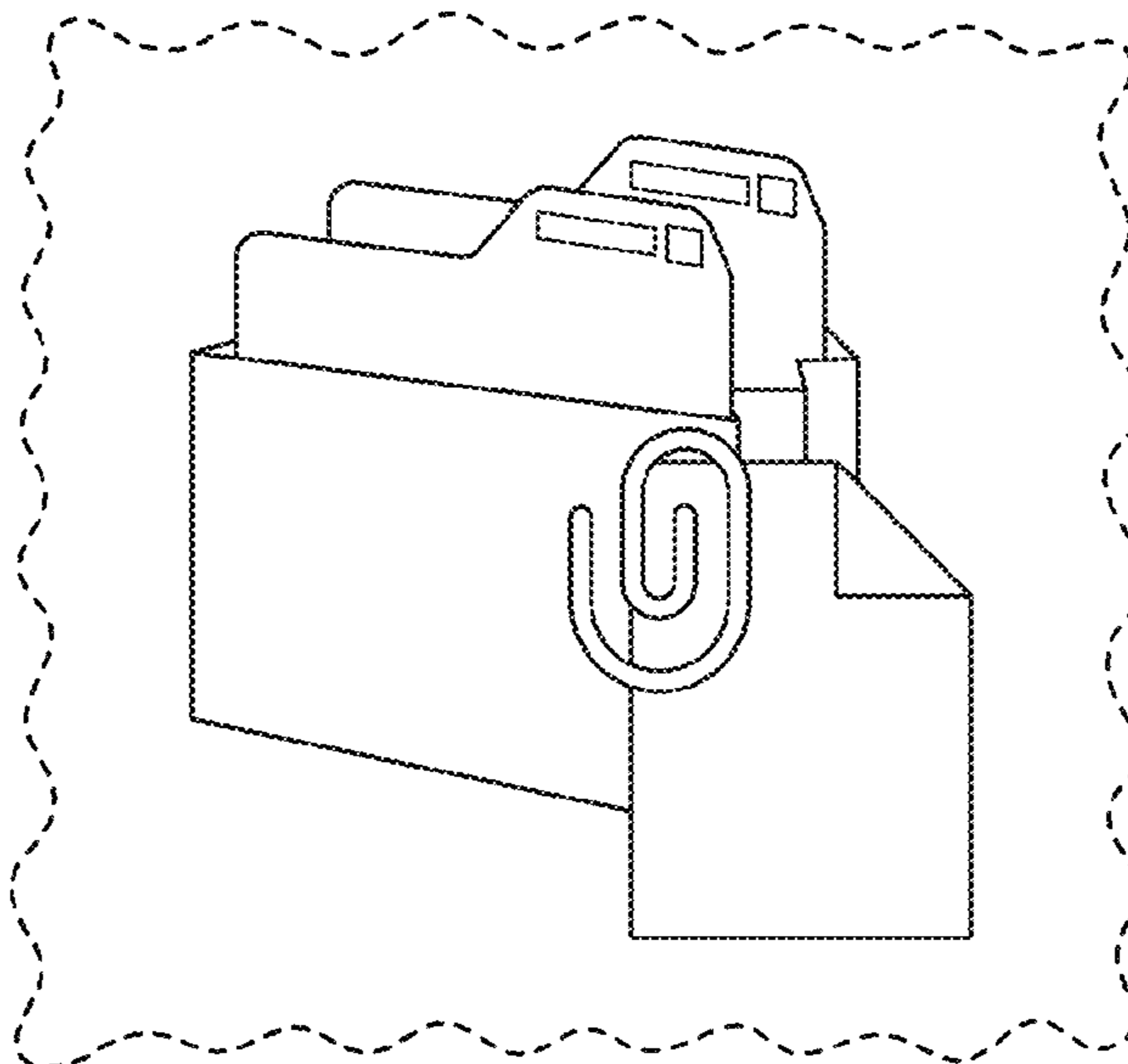
D296,705 S * 7/1988 Wells-Papanek et al. ... D14/493
D341,848 S * 11/1993 Bigelow et al. D18/27
D529,508 S 10/2006 Gusmorino et al.
D536,701 S 2/2007 Gusmorino et al.
D537,836 S 3/2007 Gusmorino et al.
D540,812 S 4/2007 Gusmorino et al.
D547,365 S * 7/2007 Reyes et al. D18/27
D549,236 S 8/2007 O'Donnell et al.
D557,704 S 12/2007 O'Donnell et al.
D562,343 S * 2/2008 Fletcher D14/488
D564,541 S * 3/2008 Lettau et al. D14/493
D574,399 S 8/2008 O'Donnell et al.

(57) **CLAIM**
The ornamental design for a display screen with icon, as shown and described.

DESCRIPTION

The FIGURE is a front view of a display screen with icon showing the new design.
The broken line showing of the remainder of the display screen is for environmental purposes only and forms no part of the claimed design.

1 Claim, 1 Drawing Sheet



US D683,760 S

Page 2

U.S. PATENT DOCUMENTS

2010/0162118 A1* 6/2010 Kim et al. 715/716
2011/0055736 A1* 3/2011 Kang et al. 715/760
2011/0072377 A1* 3/2011 Yoon et al. 715/768
2011/0113373 A1* 5/2011 Phang et al. 715/823

OTHER PUBLICATIONS

US Trademark 1893108; filed on May 2, 1994 by Xerox Corporation. First use in commerce date: Aug. 1992. (2 pages).*

US Trademark 2128541; filed Oct. 22, 1996 by Office Basics, Inc. First use in commerce date: Jul. 6, 1987. (2 pages).*

US Trademark 3421523; filed Feb. 27, 2007 by UC-Logic Technology Corp. First use in commerce date: Oct. 30, 2006. (2 pages).*

US Trademark 3511922; filed Mar. 5, 2008 by Clipmarks LLC. First use in commerce date: Sep. 30, 2005. (2 pages).*

US Trademark 3852204; filed on Jun. 18, 2009 by National Information Solutions Cooperative. First use in commerce date: Feb. 10, 2010. (2 pages).*

US Trademark 3892731; filed Sep. 29, 2009 by Faculdade de Ciencias e Tecnologia da Universidade Nova de Lisboa. Publish date: Oct. 5, 2010. (2 pages).*

US Trademark 3970375; filed on Oct. 6, 2010 by TherapyCharts LLC. First use in commerce date: Jun. 7, 2009. (2 pages).*

US Trademark 4101833; filed on Jun. 17, 2011 by Terry Douglas Wolvert. First use in commerce date: Sep. 1, 2010. (2 pages).*

US Trademark application 77807926; filed Aug. 19, 2009 by Beifa Group Co., Ltd. First use in commerce date: Jul. 22, 2009. (2 pages).*

US Trademark application 78305626; filed Sep. 25, 2003 by Altnet, Inc. First use in commerce date: Nov. 1, 2002. (2 pages).*

US Trademark application 79071165; filed Apr. 29, 2009 by Hubert Burda Media Holding Kommanditgesellschaft GmbH & Co. Abandonment date: Aug. 25, 2010. (3 pages).*

US Trademark application 85128507; filed Sep. 13, 2010 by Terry Douglas Wolvert. First use in commerce date: Aug. 1, 2010. (2 pages).*

US Trademark application 85568049; filed Mar. 13, 2012 by Colby Riggs. First use in commerce date: May 9, 2011. (2 pages).*

* cited by examiner

