



US00D683735S

(12) **United States Design Patent**  
**Chang**

(10) **Patent No.:** **US D683,735 S**  
(45) **Date of Patent:** **\*\* Jun. 4, 2013**

(54) **DISPLAY BASE**  
(71) Applicant: **AmTran Technology Co., Ltd**, New Taipei (TW)  
(72) Inventor: **Chia-Hui Chang**, New Taipei (TW)  
(73) Assignee: **AmTRAN Technology Co., Ltd.**, New Taipei (TW)  
(\*\*) Term: **14 Years**  
(21) Appl. No.: **29/437,601**  
(22) Filed: **Nov. 19, 2012**  
(51) **LOC (9) Cl.** ..... **08-07**  
(52) **U.S. Cl.**  
USPC ..... **D14/451**  
(58) **Field of Classification Search**  
USPC ..... D14/451, 134, 224, 238, 239, 251, D14/316, 366, 374-7, 432, 439, 447-8, 452, D14/457, 469; D6/396, 449, 474, 512, 574; 248/125.1, 125.2, 158, 176.1, 242, 278.1, 248/346.01, 346.02, 441.1, 442.2, 452, 455, 248/458, 639, 676, 917, 919-23; 348/825, 348/830; 361/681, 686; 400/714  
See application file for complete search history.

D628,578 S \* 12/2010 Chou et al. .... D14/451  
D665,389 S \* 8/2012 Lu et al. .... D14/374  
D668,654 S \* 10/2012 Lu et al. .... D14/374  
D671,540 S \* 11/2012 Yukawa et al. .... D14/336  
D676,431 S \* 2/2013 Lu et al. .... D14/239

\* cited by examiner

*Primary Examiner* — Cynthia Ramirez  
(74) *Attorney, Agent, or Firm* — Muncy, Geissler, Olds & Lowe, PLLC

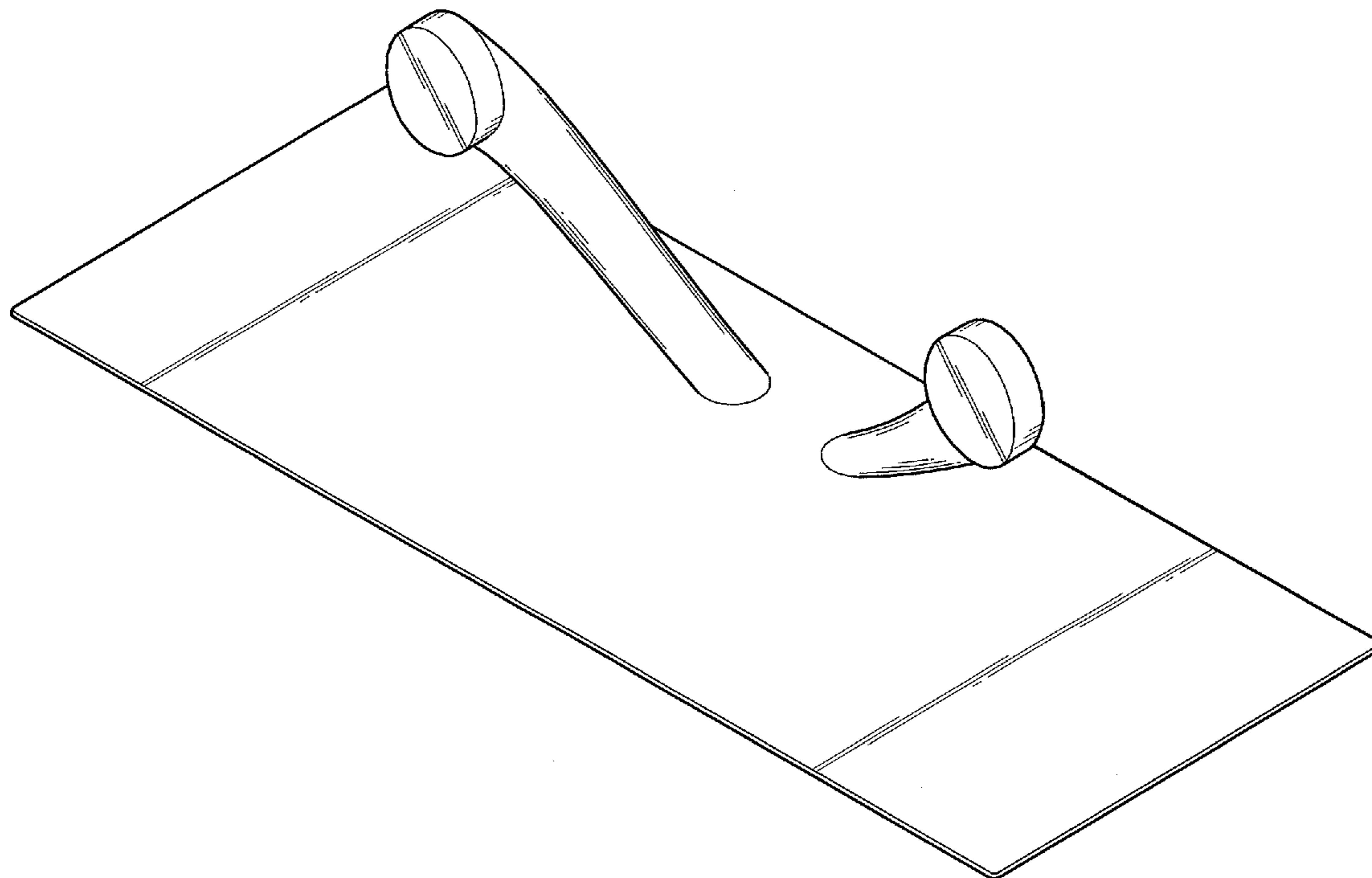
(57) **CLAIM**  
The ornamental design for a display base, as shown and described.

**DESCRIPTION**

FIG. 1 is a front perspective view of display base showing my new design;  
FIG. 2 is a rear perspective view thereof;  
FIG. 3 is a front view thereof;  
FIG. 4 is a rear view thereof;  
FIG. 5 is a left side elevational view thereof;  
FIG. 6 is a right side elevational view thereof;  
FIG. 7 is a top view thereof;  
FIG. 8 is a bottom view thereof;  
FIG. 9 is a reference perspective view showing the usage state of display base; and,  
FIG. 10 is a reference side elevational view showing the usage state of display base.  
The broken lines are for the purpose of illustrating portions of the display base only and form no part of the claimed design.

(56) **References Cited**  
**U.S. PATENT DOCUMENTS**  
D399,210 S \* 10/1998 Rozier et al. .... D14/224  
D461,795 S \* 8/2002 Mayette et al. .... D14/224  
D543,208 S \* 5/2007 Kita ..... D14/451  
D558,743 S \* 1/2008 Isshiki et al. .... D14/239

**1 Claim, 9 Drawing Sheets**



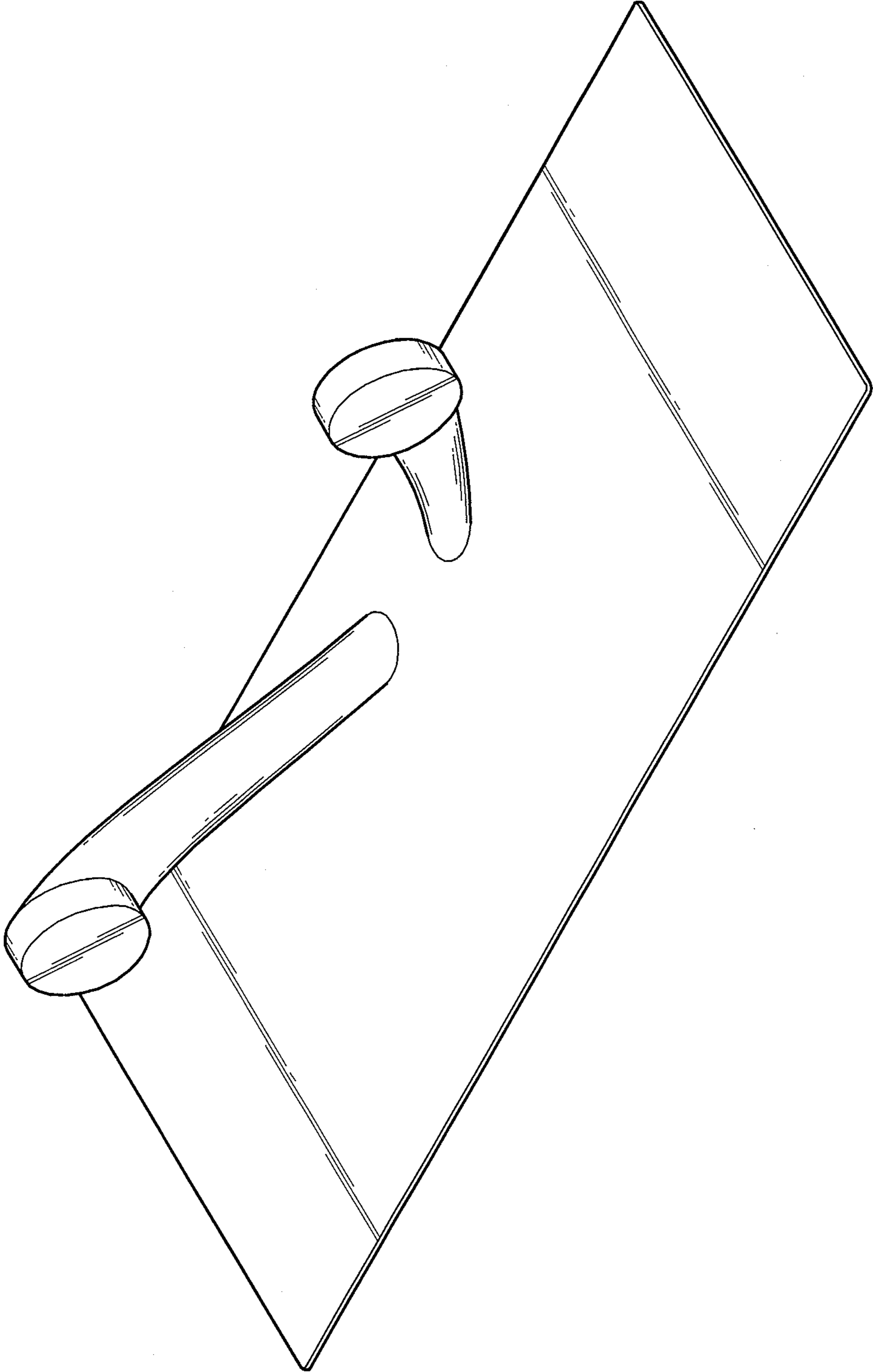


FIG.1

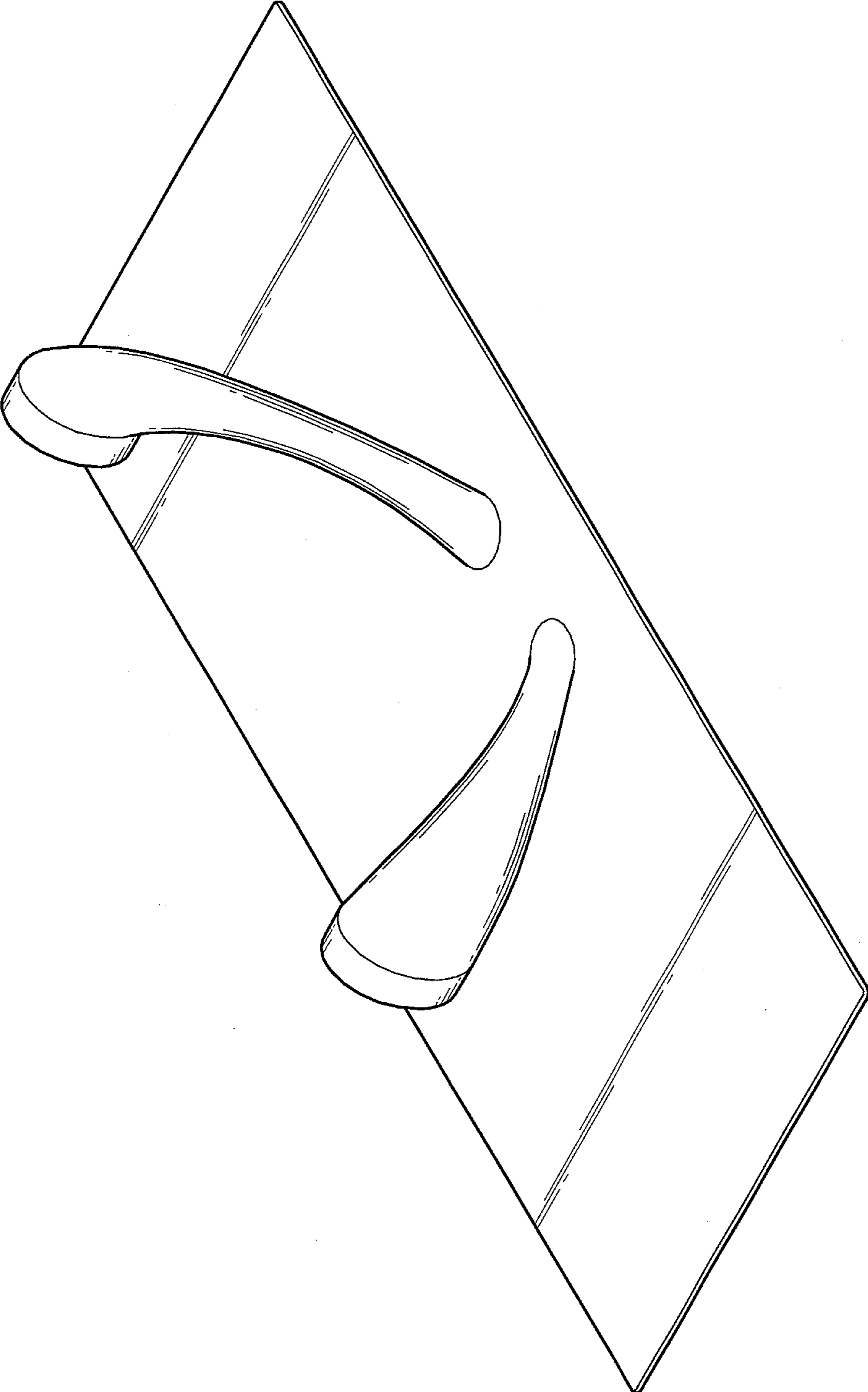


FIG.2

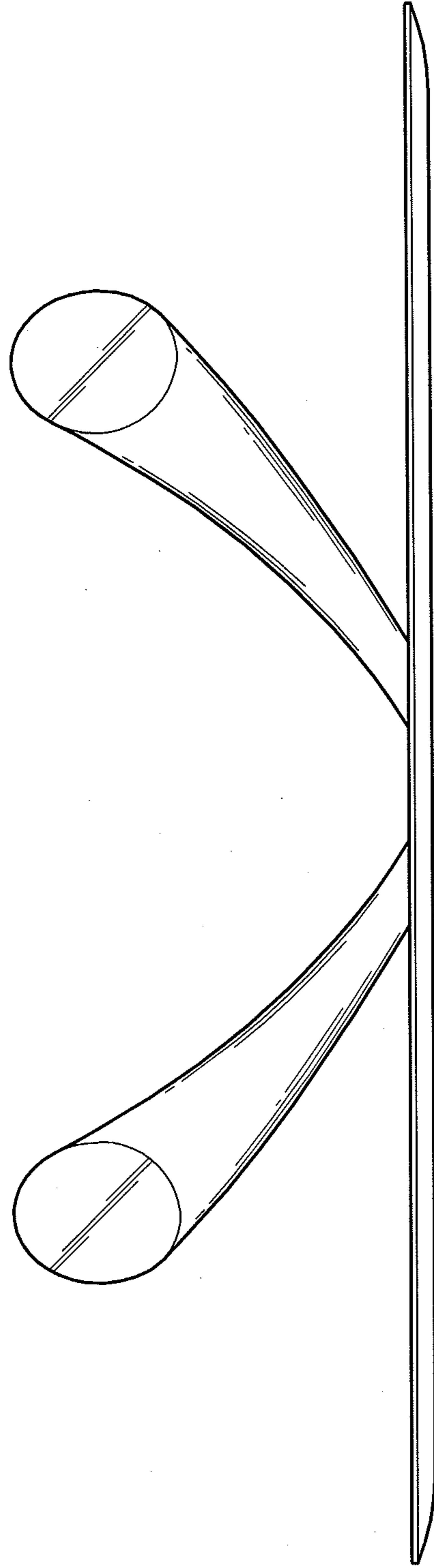


FIG.3

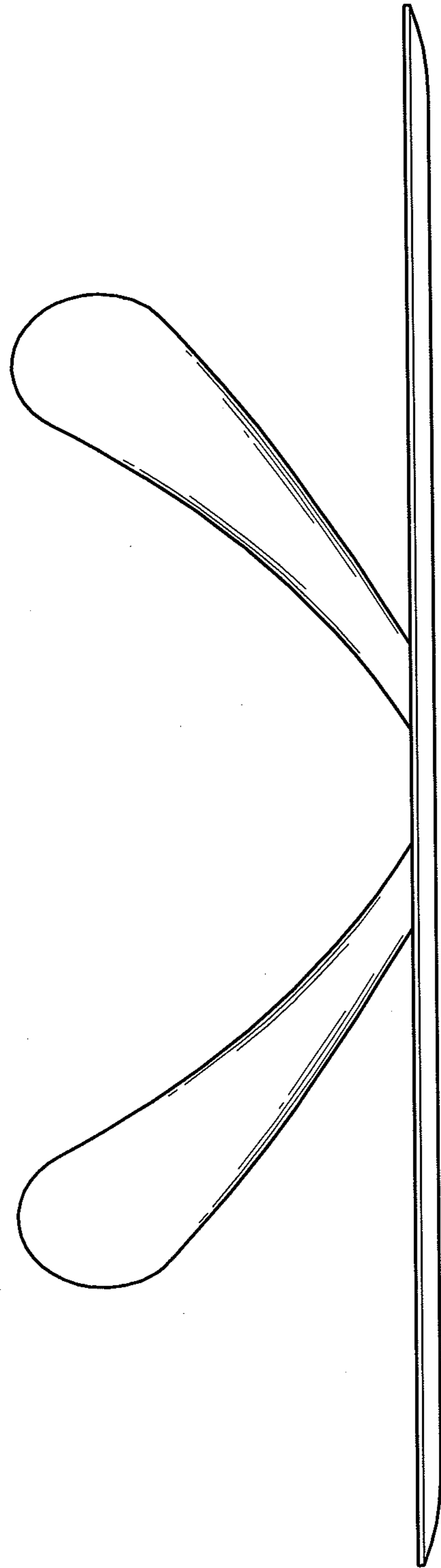


FIG.4

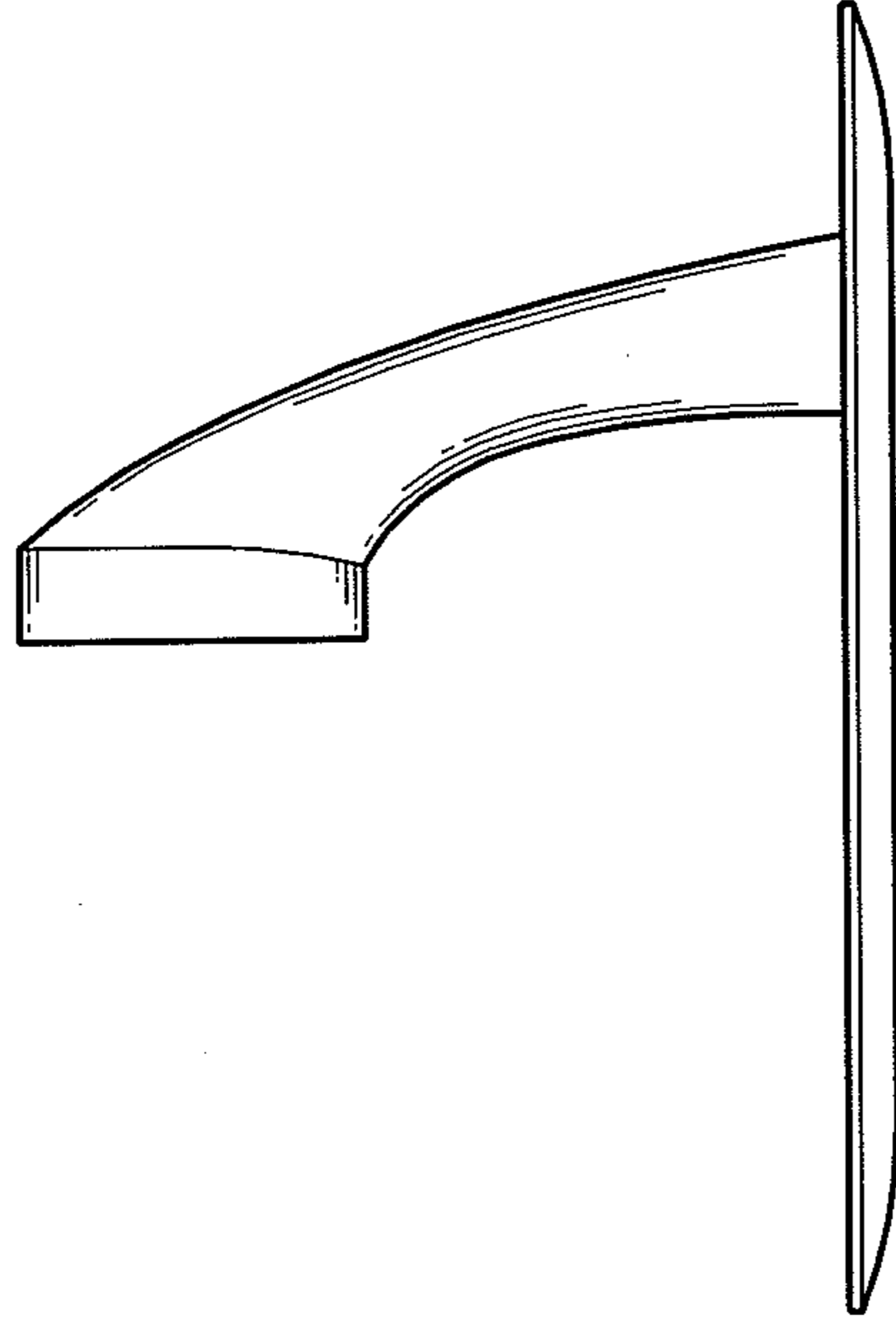


FIG. 6

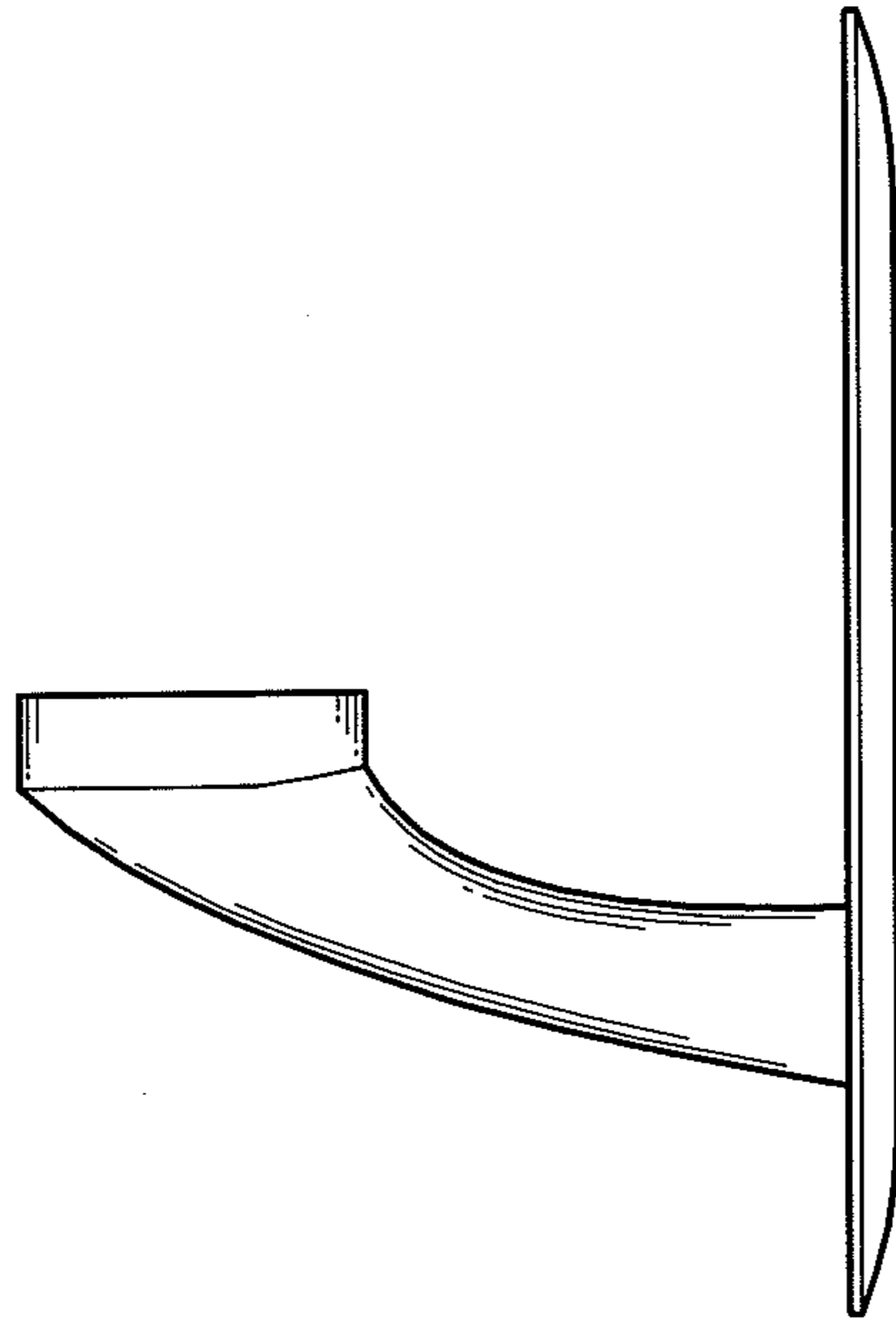


FIG. 5

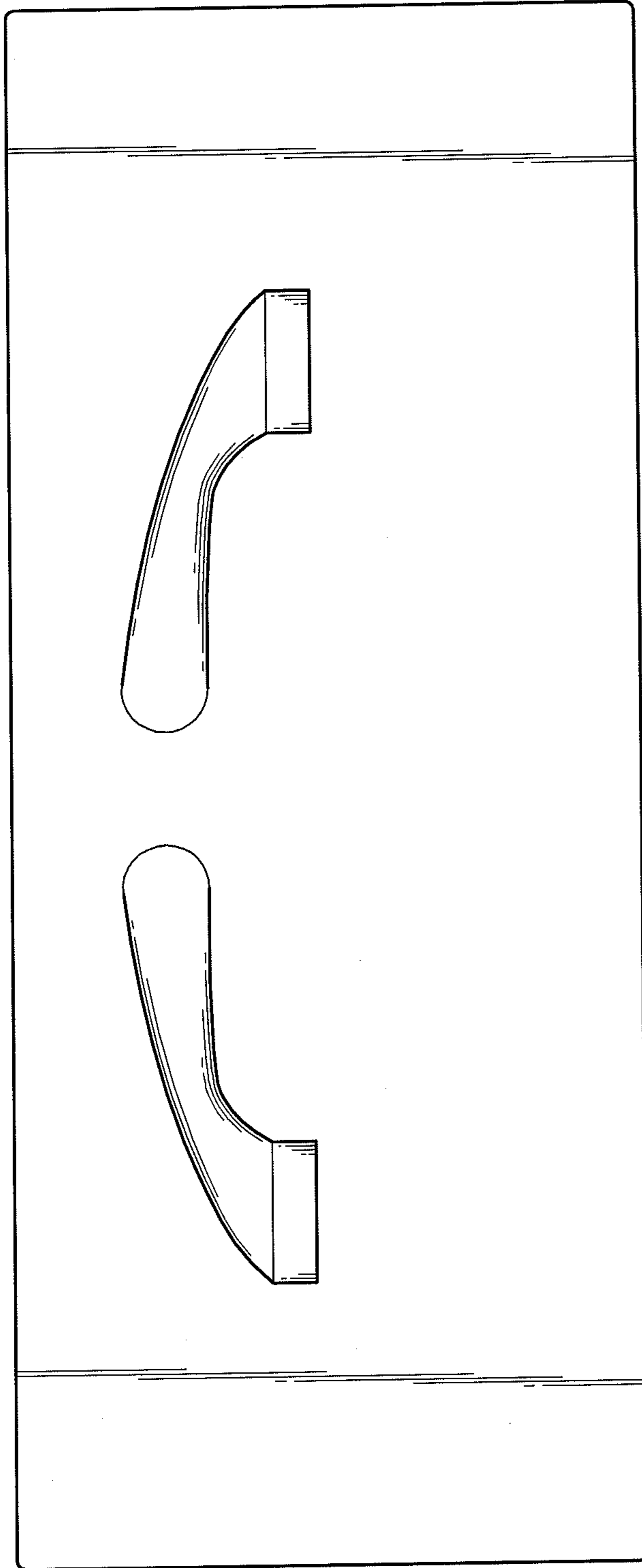


FIG.7

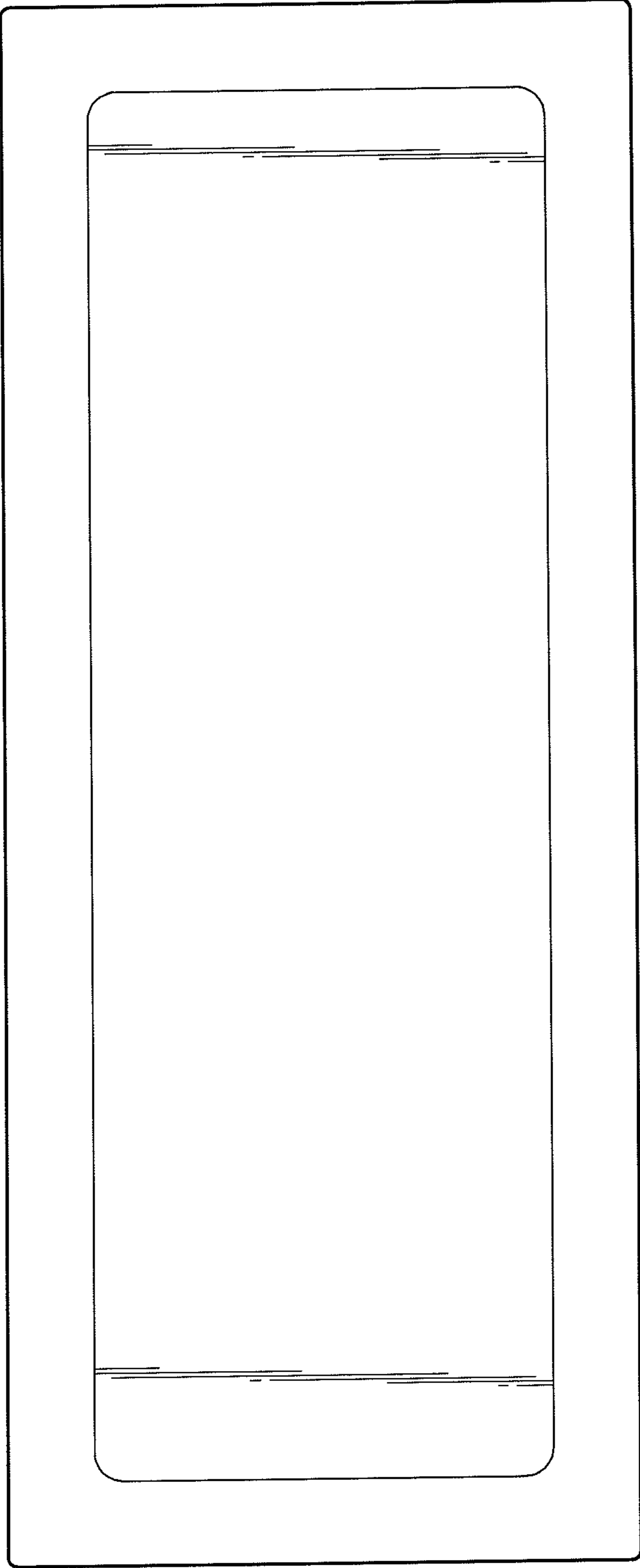


FIG. 8



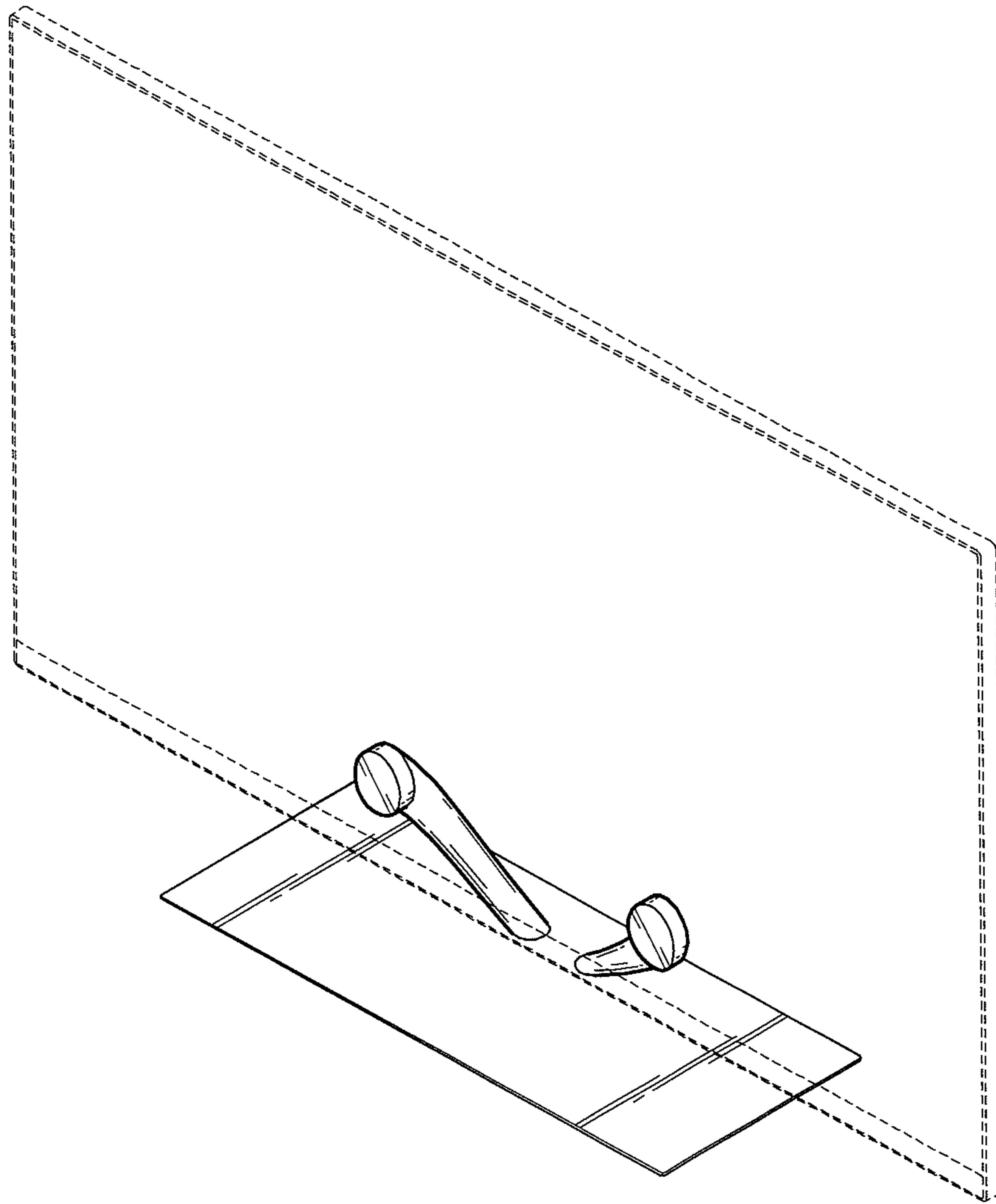


FIG.9

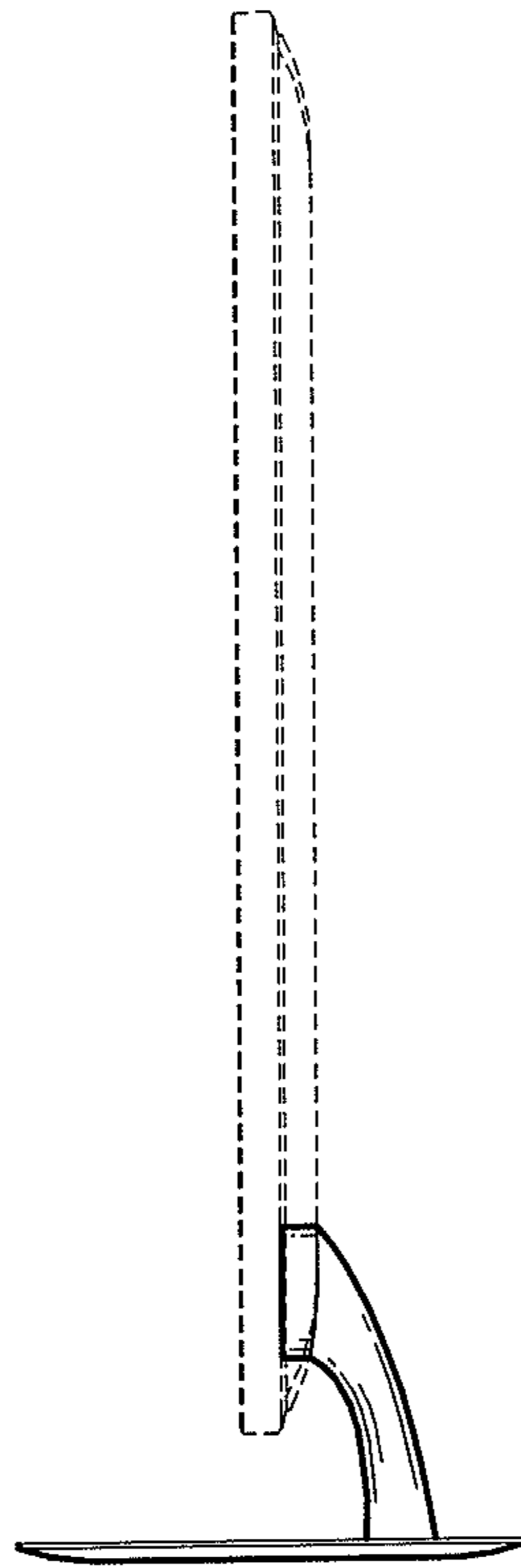


FIG.10