



US00D683734S

(12) **United States Design Patent**  
**Lee et al.**

(10) **Patent No.:** **US D683,734 S**  
(45) **Date of Patent:** **\*\* Jun. 4, 2013**

(54) **MONITOR**

D512,424 S 12/2005 Kim  
D520,975 S 5/2006 Kim et al.  
D521,511 S 5/2006 Kim et al.

(75) Inventors: **Jung-Hyun Lee**, Seoul (KR); **Tae-Yeon Won**, Seoul (KR)

(Continued)

(73) Assignee: **Samsung Electronics Co., Ltd.**,  
Suwon-Si (KR)

**FOREIGN PATENT DOCUMENTS**

KR 3001890590000 11/1996  
KR 3001890600000 11/1996

(\*\*) Term: **14 Years**

(Continued)

(21) Appl. No.: **29/427,157**

**OTHER PUBLICATIONS**

(22) Filed: **Jul. 15, 2012**

U.S. Appl. No. 29/419,038, Applicant: Lee, et al., filed Apr. 24, 2012,  
entitled Monitor.

(30) **Foreign Application Priority Data**

(Continued)

Jan. 19, 2012 (KR) ..... 30-2012-0003066

(51) **LOC (9) Cl.** ..... **14-02**

*Primary Examiner* — Cynthia Ramirez

(52) **U.S. Cl.**  
USPC ..... **D14/448**

(74) *Attorney, Agent, or Firm* — Wood, Herron & Evans,  
LLP

(58) **Field of Classification Search**  
USPC ..... D14/448, 439, 440, 447, 449, 450,  
D14/451, 452, 432, 434, 457, 336, 337, 339,  
D14/340, 371, 372, 373, 374, 375, 376, 377,  
D14/378, 379, 380, 381, 382, 126, 127, 128,  
D14/129, 203.8, 217, 238.1, 239; 345/905;  
248/917, 918, 919, 920, 921, 922, 923, 924;  
348/184, 739, 761, 791, 825, 834, 835; 349/58,  
349/60

(57) **CLAIM**

The ornamental design for a monitor, as shown and described.

See application file for complete search history.

**DESCRIPTION**

(56) **References Cited**

**U.S. PATENT DOCUMENTS**

D393,636 S \* 4/1998 Jones et al. .... D14/450  
D438,866 S \* 3/2001 Suzuki ..... D14/439  
D439,224 S 3/2001 Kita  
D441,371 S \* 5/2001 Suzuki ..... D14/439  
D471,893 S 3/2003 Jung  
D472,897 S 4/2003 Park  
D494,941 S 8/2004 Kim  
D499,386 S 12/2004 Yang

FIG. 1 is a top front perspective view of a monitor showing  
our new design;

FIG. 2 is a front view thereof;

FIG. 3 is a rear view thereof;

FIG. 4 is a left side view thereof;

FIG. 5 is a right side view thereof;

FIG. 6 is a top view thereof;

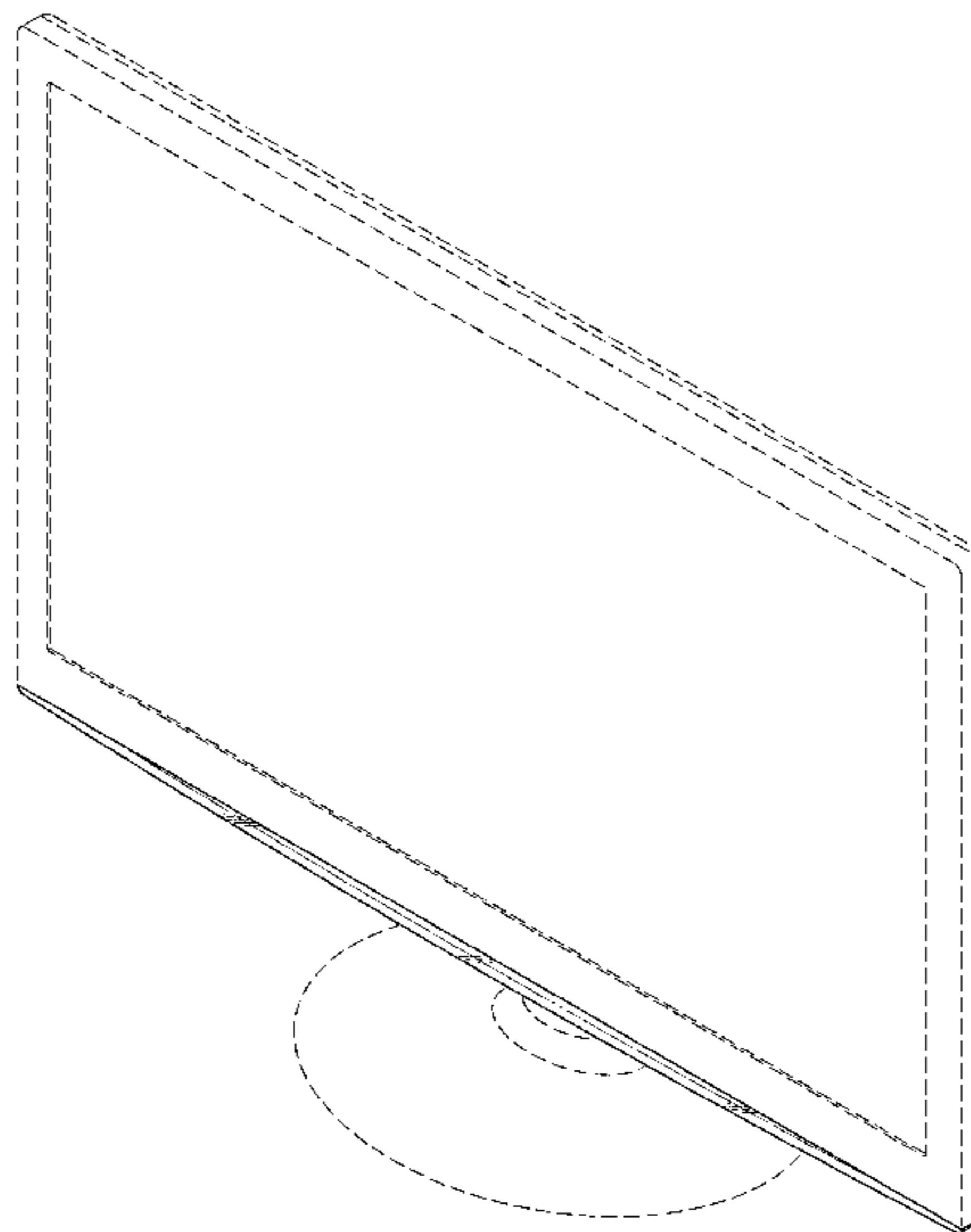
FIG. 7 is a bottom view thereof;

FIG. 8 is a front perspective view of the lower rim of the  
present monitor; and,

FIG. 9 is a rear perspective view of the lower rim of the  
present monitor.

The broken lines illustrating portions of the monitor are for  
environmental purposes only and form no part of the claimed  
design.

**1 Claim, 6 Drawing Sheets**



# US D683,734 S

Page 2

| U.S. PATENT DOCUMENTS |         |                  |              |          |                    |         |
|-----------------------|---------|------------------|--------------|----------|--------------------|---------|
| D521,996 S            | 5/2006  | Kim et al.       | 7,336,478 B2 | 2/2008   | Jang               |         |
| D521,997 S            | 5/2006  | Park et al.      | D564,472 S   | 3/2008   | Won et al.         |         |
| D524,313 S            | 7/2006  | Boo et al.       | D565,521 S   | 4/2008   | Yang et al.        |         |
| D527,003 S            | 8/2006  | Kim et al.       | D567,198 S   | 4/2008   | Yang et al.        |         |
| D528,115 S            | 9/2006  | Yoon             | D567,199 S   | 4/2008   | Kim et al.         |         |
| D528,116 S            | 9/2006  | Won et al.       | D567,203 S   | 4/2008   | Park               |         |
| D529,019 S            | 9/2006  | Lim              | D569,818 S   | 5/2008   | Kim et al.         |         |
| D529,910 S            | 10/2006 | Ota              | D570,333 S   | 6/2008   | Cho                |         |
| D529,911 S            | 10/2006 | Yamashiro et al. | D570,828 S   | 6/2008   | Cho                |         |
| D532,764 S            | 11/2006 | Kim et al.       | D570,841 S   | 6/2008   | Kim et al.         |         |
| D533,848 S            | 12/2006 | Lee et al.       | D571,785 S   | 6/2008   | Kim                |         |
| D534,510 S            | 1/2007  | Kang et al.      | D571,786 S   | 6/2008   | Cho                |         |
| D534,883 S            | 1/2007  | Kang et al.      | D572,680 S   | 7/2008   | Lee et al.         |         |
| D535,267 S            | 1/2007  | Kang et al.      | D572,682 S   | 7/2008   | Won et al.         |         |
| D536,677 S            | 2/2007  | Kim et al.       | D573,118 S   | 7/2008   | Yang et al.        |         |
| D537,072 S            | 2/2007  | Kim et al.       | D573,559 S   | 7/2008   | Kim et al.         |         |
| D537,079 S            | 2/2007  | Park             | D573,584 S   | 7/2008   | Kim                |         |
| D539,242 S            | 3/2007  | Lee et al.       | D575,247 S   | 8/2008   | Lee                |         |
| D539,281 S            | 3/2007  | Kim et al.       | D576,121 S   | * 9/2008 | Isshiki .....      | D14/126 |
| D539,767 S            | 4/2007  | Kang et al.      | D576,622 S   | 9/2008   | Park               |         |
| D540,277 S            | 4/2007  | Kim et al.       | D576,971 S   | * 9/2008 | Yokota .....       | D14/126 |
| D540,780 S            | 4/2007  | Kim              | D579,003 S   | 10/2008  | Kim et al.         |         |
| D541,236 S            | 4/2007  | Kim et al.       | D579,889 S   | 11/2008  | Noh                |         |
| D541,763 S            | 5/2007  | Kim              | D579,915 S   | 11/2008  | Yeo                |         |
| D541,766 S            | 5/2007  | Kita             | D582,365 S   | 12/2008  | Yang et al.        |         |
| D541,774 S            | 5/2007  | Kita             | D582,366 S   | 12/2008  | Yang et al.        |         |
| D541,775 S            | 5/2007  | Kita             | D582,867 S   | 12/2008  | Song et al.        |         |
| D542,746 S            | 5/2007  | Kim              | D583,801 S   | 12/2008  | Son et al.         |         |
| D542,747 S            | 5/2007  | Kim et al.       | D584,258 S   | 1/2009   | Yang et al.        |         |
| D542,748 S            | 5/2007  | Kim et al.       | D584,286 S   | 1/2009   | Kim                |         |
| D542,749 S            | 5/2007  | Kim et al.       | D584,288 S   | 1/2009   | Kim                |         |
| D543,163 S            | 5/2007  | Yang et al.      | D584,309 S   | 1/2009   | Kim et al.         |         |
| D543,164 S            | 5/2007  | Yang et al.      | D584,310 S   | 1/2009   | Kim et al.         |         |
| D544,849 S            | 6/2007  | Yang et al.      | D584,729 S   | 1/2009   | Kim et al.         |         |
| D545,300 S            | 6/2007  | Hong et al.      | D586,781 S   | 2/2009   | Kim                |         |
| D545,312 S            | 6/2007  | Kim              | D586,782 S   | 2/2009   | Kim                |         |
| D545,313 S            | 6/2007  | Kim              | D586,785 S   | 2/2009   | Kim                |         |
| D545,314 S            | 6/2007  | Kim              | D586,811 S   | 2/2009   | Kim et al.         |         |
| D545,315 S            | 6/2007  | Kim              | D586,816 S   | * 2/2009 | Shen et al. ....   | D14/447 |
| D545,316 S            | 6/2007  | Kim              | D587,237 S   | 2/2009   | Son et al.         |         |
| D545,776 S            | 7/2007  | Kwon             | D587,712 S   | 3/2009   | Park et al.        |         |
| D545,778 S            | 7/2007  | Isshiki          | D588,103 S   | 3/2009   | Lee et al.         |         |
| D545,820 S            | 7/2007  | Won et al.       | D588,104 S   | 3/2009   | Lee et al.         |         |
| D546,331 S            | 7/2007  | Kim              | D588,117 S   | 3/2009   | Arai               |         |
| D547,276 S            | 7/2007  | Yang et al.      | D588,576 S   | 3/2009   | Son et al.         |         |
| D547,313 S            | 7/2007  | Kim              | D591,269 S   | 4/2009   | Kim et al.         |         |
| D548,205 S            | 8/2007  | Kim et al.       | D592,179 S   | 5/2009   | Ichinose et al.    |         |
| D548,206 S            | 8/2007  | Han              | D592,621 S   | 5/2009   | Han                |         |
| D548,222 S            | 8/2007  | Kim              | D593,068 S   | 5/2009   | Kim et al.         |         |
| D548,708 S            | 8/2007  | Park et al.      | D593,069 S   | 5/2009   | Son et al.         |         |
| D551,186 S            | 9/2007  | Yang et al.      | D593,974 S   | 6/2009   | Yang et al.        |         |
| D551,194 S            | 9/2007  | Kim et al.       | D597,041 S   | 7/2009   | Cho et al.         |         |
| D551,636 S            | 9/2007  | Kang et al.      | D597,977 S   | 8/2009   | Won et al.         |         |
| D551,655 S            | 9/2007  | Kim              | D597,978 S   | 8/2009   | Won et al.         |         |
| D551,665 S            | 9/2007  | Tom et al.       | D598,899 S   | 8/2009   | Tkachuk            |         |
| D552,090 S            | 10/2007 | Kita             | D600,695 S   | * 9/2009 | Niitsu et al. .... | D14/371 |
| D552,509 S            | 10/2007 | Walkup et al.    | D601,104 S   | 9/2009   | Kim                |         |
| D553,108 S            | 10/2007 | Won et al.       | D603,816 S   | 11/2009  | Kim et al.         |         |
| D554,601 S            | 11/2007 | Won et al.       | D603,817 S   | 11/2009  | Kim et al.         |         |
| D556,159 S            | 11/2007 | Park et al.      | D605,148 S   | 12/2009  | Boo et al.         |         |
| D556,160 S            | 11/2007 | Lee et al.       | D605,149 S   | 12/2009  | Kim et al.         |         |
| D556,709 S            | 12/2007 | Kim et al.       | D605,160 S   | 12/2009  | Eaton              |         |
| D556,755 S            | 12/2007 | Lee et al.       | D607,426 S   | 1/2010   | Yang               |         |
| D556,756 S            | 12/2007 | Kataoka et al.   | D608,311 S   | 1/2010   | Lee et al.         |         |
| D556,757 S            | 12/2007 | Kim et al.       | D608,314 S   | 1/2010   | Boo et al.         |         |
| D558,201 S            | 12/2007 | Park et al.      | D609,658 S   | 2/2010   | Kim et al.         |         |
| D558,696 S            | 1/2008  | Park et al.      | D610,143 S   | 2/2010   | Park et al.        |         |
| D560,209 S            | 1/2008  | Kim et al.       | D614,596 S   | 4/2010   | Won et al.         |         |
| D560,211 S            | 1/2008  | Kim et al.       | D615,509 S   | 5/2010   | Song et al.        |         |
| D560,686 S            | 1/2008  | Kim              | D615,510 S   | 5/2010   | Won et al.         |         |
| D561,130 S            | 2/2008  | Won et al.       | D615,511 S   | 5/2010   | Shin et al.        |         |
| D561,134 S            | 2/2008  | Kim et al.       | D615,938 S   | 5/2010   | Song et al.        |         |
| D561,135 S            | 2/2008  | Won et al.       | D615,963 S   | 5/2010   | Cho et al.         |         |
| D561,136 S            | 2/2008  | Won et al.       | D616,842 S   | 6/2010   | Kim                |         |
| D561,141 S            | 2/2008  | Cho et al.       | D616,884 S   | 6/2010   | Kim et al.         |         |
| D561,142 S            | 2/2008  | Oh               | D619,979 S   | 7/2010   | Lee et al.         |         |
| D561,161 S            | 2/2008  | Cho              | D620,461 S   | 7/2010   | Han et al.         |         |
| D562,788 S            | 2/2008  | Asanuma et al.   | D620,901 S   | 8/2010   | Won et al.         |         |
|                       |         |                  | D620,902 S   | 8/2010   | Kim et al.         |         |

# US D683,734 S

|              |         |                            |    |               |        |
|--------------|---------|----------------------------|----|---------------|--------|
| D620,903 S   | 8/2010  | Song et al.                | KR | 3004808250000 | 3/2008 |
| D622,235 S   | 8/2010  | Lee et al.                 | KR | 3004809710000 | 3/2008 |
| D623,653 S * | 9/2010  | Okoshi et al. .... D14/450 | KR | 3004745330001 | 4/2008 |
| D624,047 S   | 9/2010  | Kim                        | KR | 3004873790000 | 4/2008 |
| D624,048 S   | 9/2010  | Kim                        | KR | 3004873800000 | 4/2008 |
| D625,278 S   | 10/2010 | Kim et al.                 | KR | 3004873810000 | 4/2008 |
| D626,101 S   | 10/2010 | Kim et al.                 | KR | 3005845050000 | 1/2011 |
| D628,556 S   | 12/2010 | Lee et al.                 | KR | 3006046450000 | 7/2011 |
| D629,388 S   | 12/2010 | Son et al.                 | KR | 3006046460000 | 7/2011 |
| D629,882 S * | 12/2010 | Nguyen ..... D23/386       | KR | 3006076840000 | 8/2011 |
| D630,209 S   | 1/2011  | Lee et al.                 | KR | 3006077890000 | 8/2011 |
| D631,868 S   | 2/2011  | Chung                      | KR | 3006077900000 | 8/2011 |
| D632,291 S   | 2/2011  | Park                       | KR | 3006080880000 | 8/2011 |
| D634,302 S   | 3/2011  | Chung et al.               | KR | 3006084850000 | 8/2011 |
| D634,323 S   | 3/2011  | Park et al.                |    |               |        |
| D634,745 S   | 3/2011  | Park et al.                |    |               |        |
| D635,569 S   | 4/2011  | Park                       |    |               |        |
| D635,975 S   | 4/2011  | Seo et al.                 |    |               |        |
| D635,976 S   | 4/2011  | Lee et al.                 |    |               |        |
| D651,607 S * | 1/2012  | Akana et al. .... D14/448  |    |               |        |
| D657,789 S   | 4/2012  | Lee et al.                 |    |               |        |
| D657,790 S   | 4/2012  | Lee et al.                 |    |               |        |
| D657,791 S   | 4/2012  | Kim et al.                 |    |               |        |
| D657,792 S   | 4/2012  | Lee et al.                 |    |               |        |
| D658,176 S   | 4/2012  | Lee et al.                 |    |               |        |
| D661,303 S   | 6/2012  | Fukusawa                   |    |               |        |
| D664,541 S   | 7/2012  | Kim et al.                 |    |               |        |
| D664,542 S   | 7/2012  | Lee et al.                 |    |               |        |
| D664,956 S   | 8/2012  | Lee et al.                 |    |               |        |
| D667,826 S   | 9/2012  | Lee et al.                 |    |               |        |

### OTHER PUBLICATIONS

U.S. Appl. No. 29/423,296, Applicant: Lee, et al., filed May 30, 2012, entitled Monitor.

U.S. Appl. No. 29/425,733, Applicant: Gyoo-Sang Choi, filed Jun. 26, 2012, entitled Monitor.

U.S. Appl. No. 29/425,734, Applicant: Kim, et al., filed Jun. 26, 2012, entitled Monitor.

U.S. Appl. No. 29/426,896, Applicant: Kim, et al., filed Jul. 11, 2012, entitled Monitor.

U.S. Appl. No. 29/427,737, Applicant: Bo-Kyung Seong, filed Jul. 21, 2012, entitled Monitor.

U.S. Appl. No. 29/434,700, Applicant: Kim et al., filed Oct. 16, 2012, entitled Monitor.

U.S. Appl. No. 29/419,916, Applicant: Lee, et al., filed May 2, 2012, entitled Monitor.

U.S. Appl. No. 29/422,777, Applicant: Lee, et al., filed May 23, 2012, entitled Monitor.

U.S. Appl. No. 29/428,391, Applicant: Kim et al., filed Jul. 30, 2012, entitled Monitor.

U.S. Appl. No. 29/428,394, Applicant: Seo et al., filed Jul. 30, 2012, entitled Monitor.

U.S. Appl. No. 29/428,573, Applicant: Seo et al., filed Aug. 1, 2012, entitled Monitor.

U.S. Appl. No. 29/428,580, Applicant: Won et al., filed Aug. 1, 2012, entitled Monitor.

U.S. Appl. No. 29/431,761, Applicant: Seo et al., filed Sep. 11, 2012, entitled Monitor.

U.S. Appl. No. 29/426,696, Applicant: Seong, et al., filed Jul. 9, 2012, entitled Monitor.

### FOREIGN PATENT DOCUMENTS

|    |               |         |
|----|---------------|---------|
| KR | 3001954000000 | 3/1997  |
| KR | 3003049270000 | 8/2002  |
| KR | 3003832320000 | 6/2005  |
| KR | 3003879930000 | 8/2005  |
| KR | 3004144010000 | 5/2006  |
| KR | 3004230930000 | 8/2006  |
| KR | 3005011860000 | 8/2006  |
| KR | 3004261490000 | 9/2006  |
| KR | 3004261500000 | 9/2006  |
| KR | 3004230920001 | 10/2006 |
| KR | 3004293530000 | 11/2006 |
| KR | 3004293530001 | 11/2006 |
| KR | 3004339210000 | 12/2006 |
| KR | 3004388560001 | 2/2007  |
| KR | 3004388560002 | 3/2007  |
| KR | 3004745330000 | 1/2008  |
| KR | 3004772070000 | 1/2008  |

\* cited by examiner

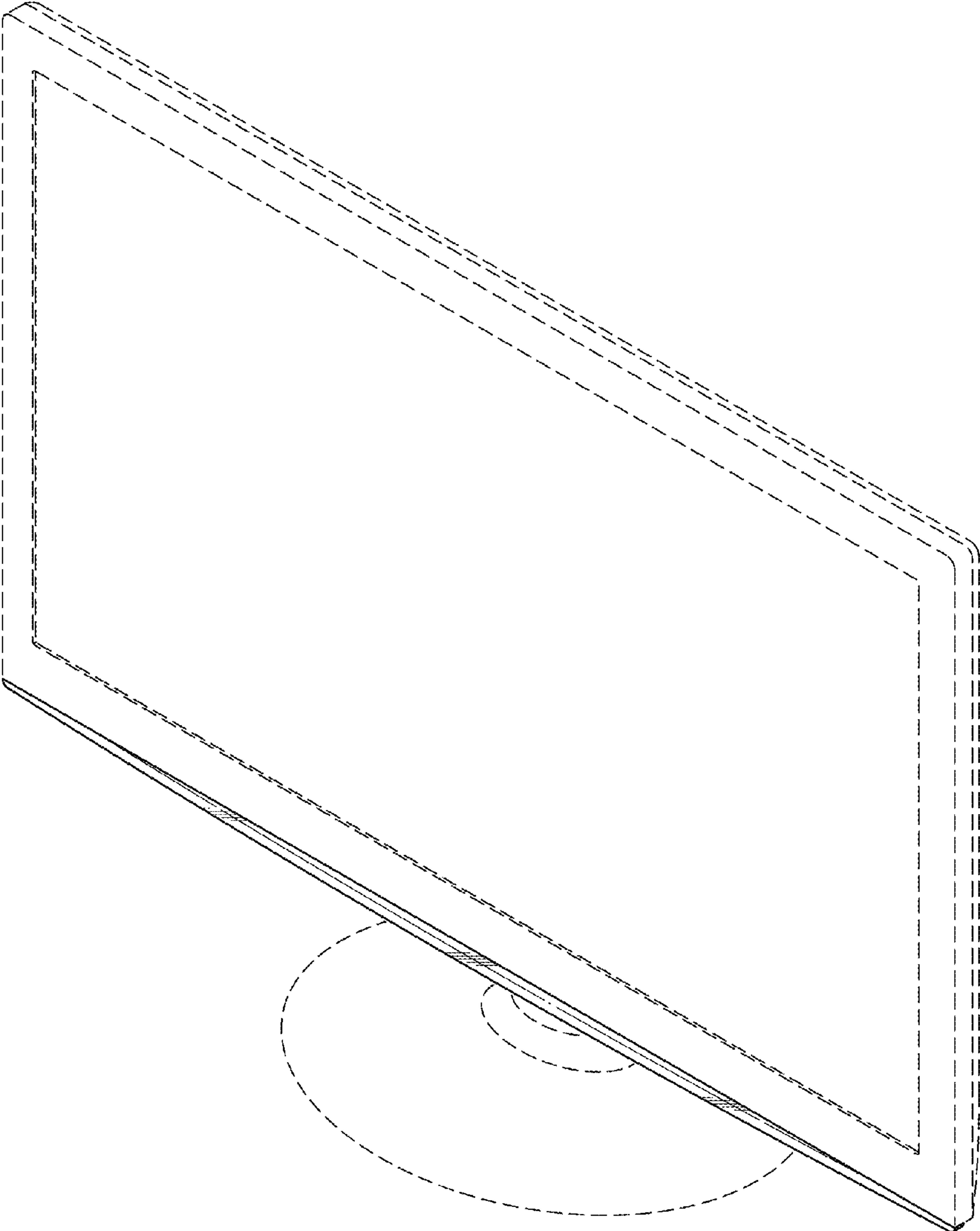


FIG.1

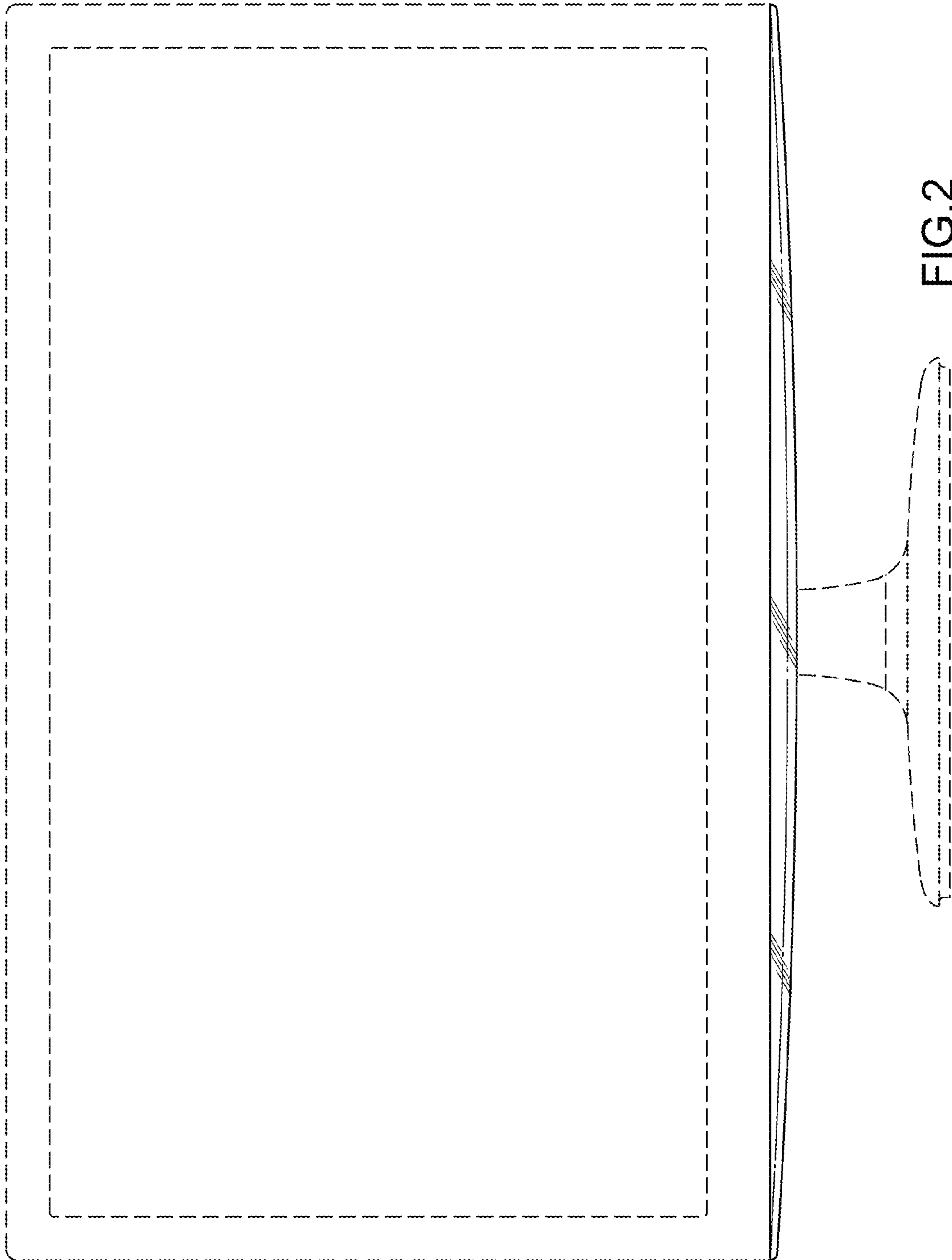


FIG. 2

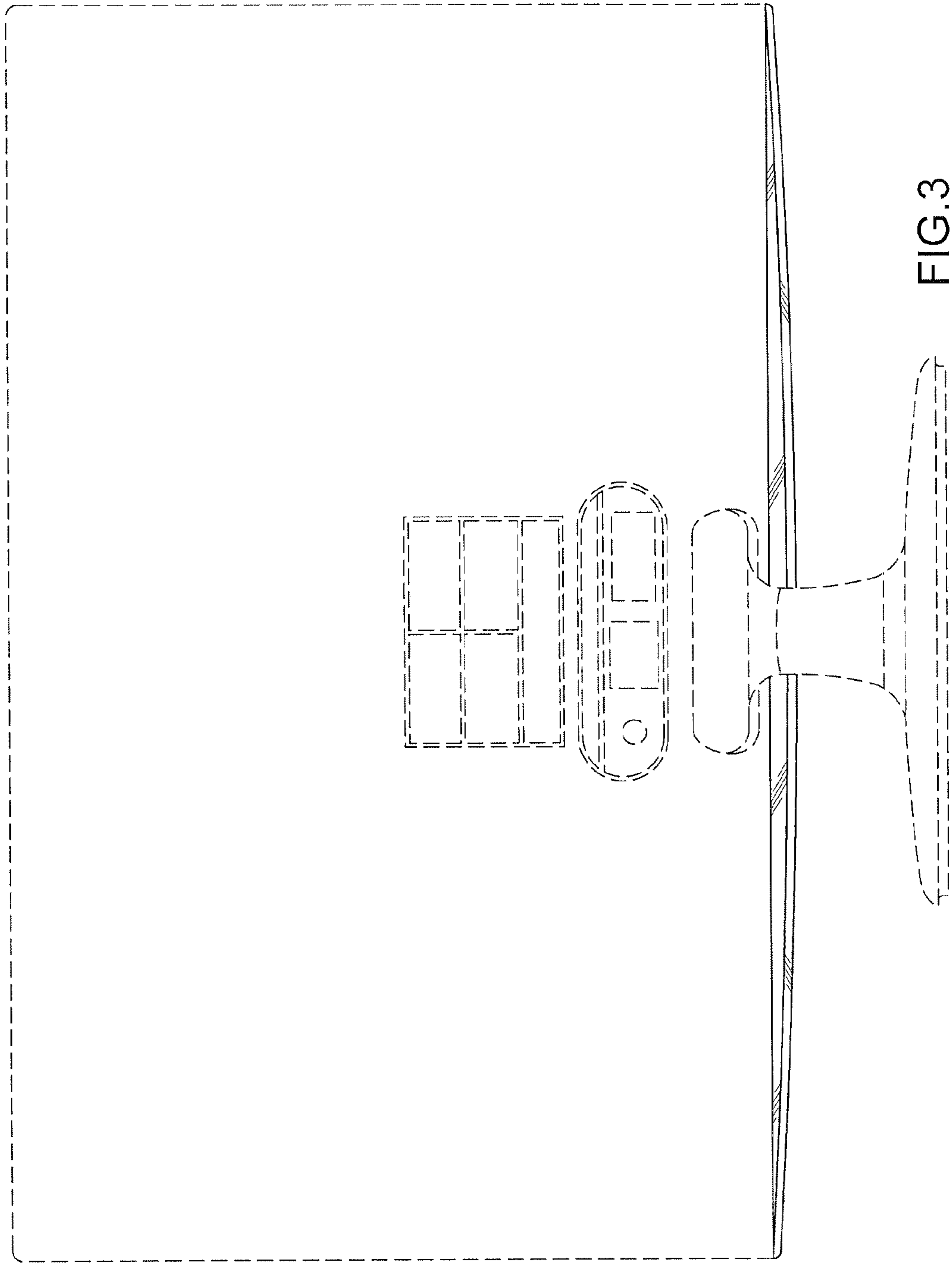


FIG. 3

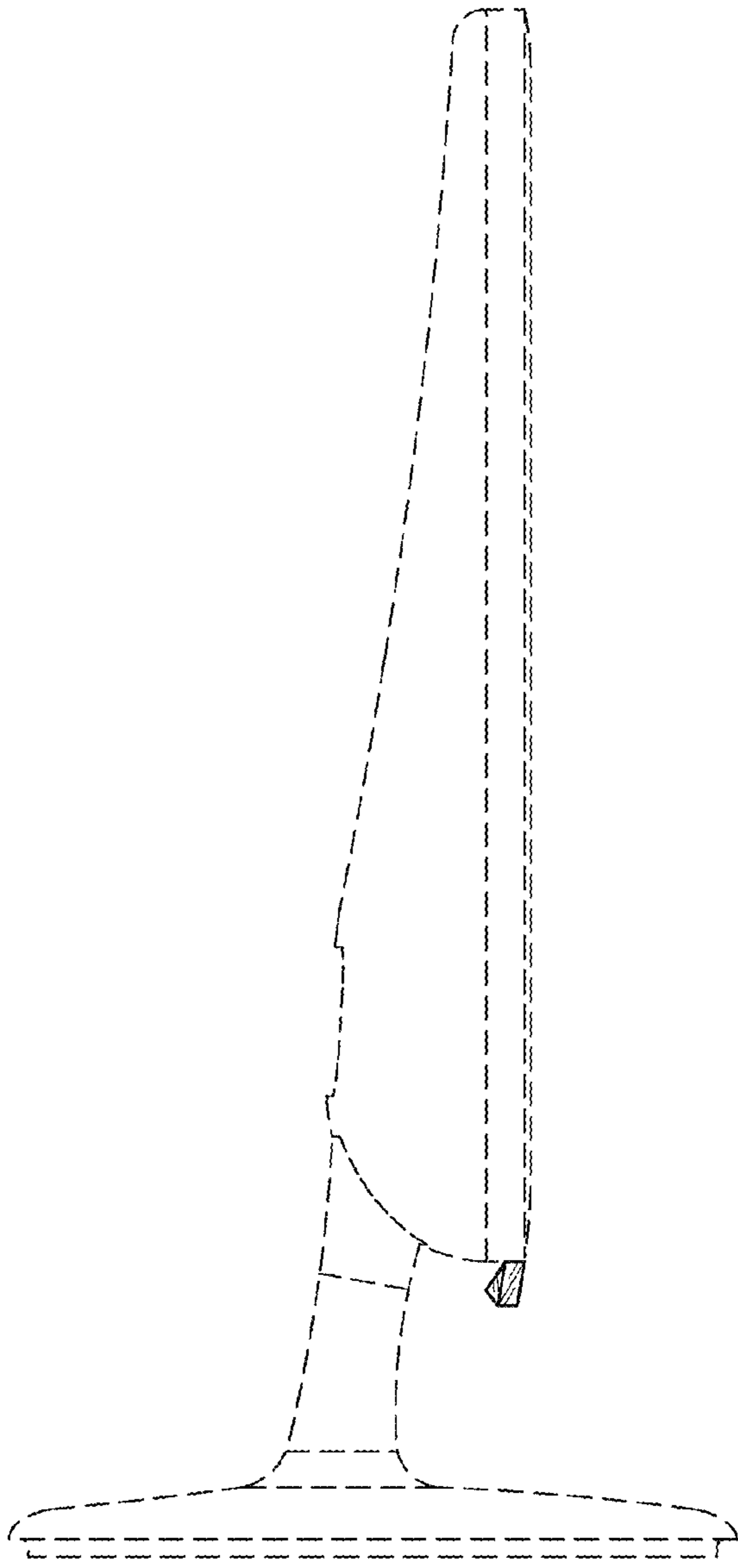


FIG. 4

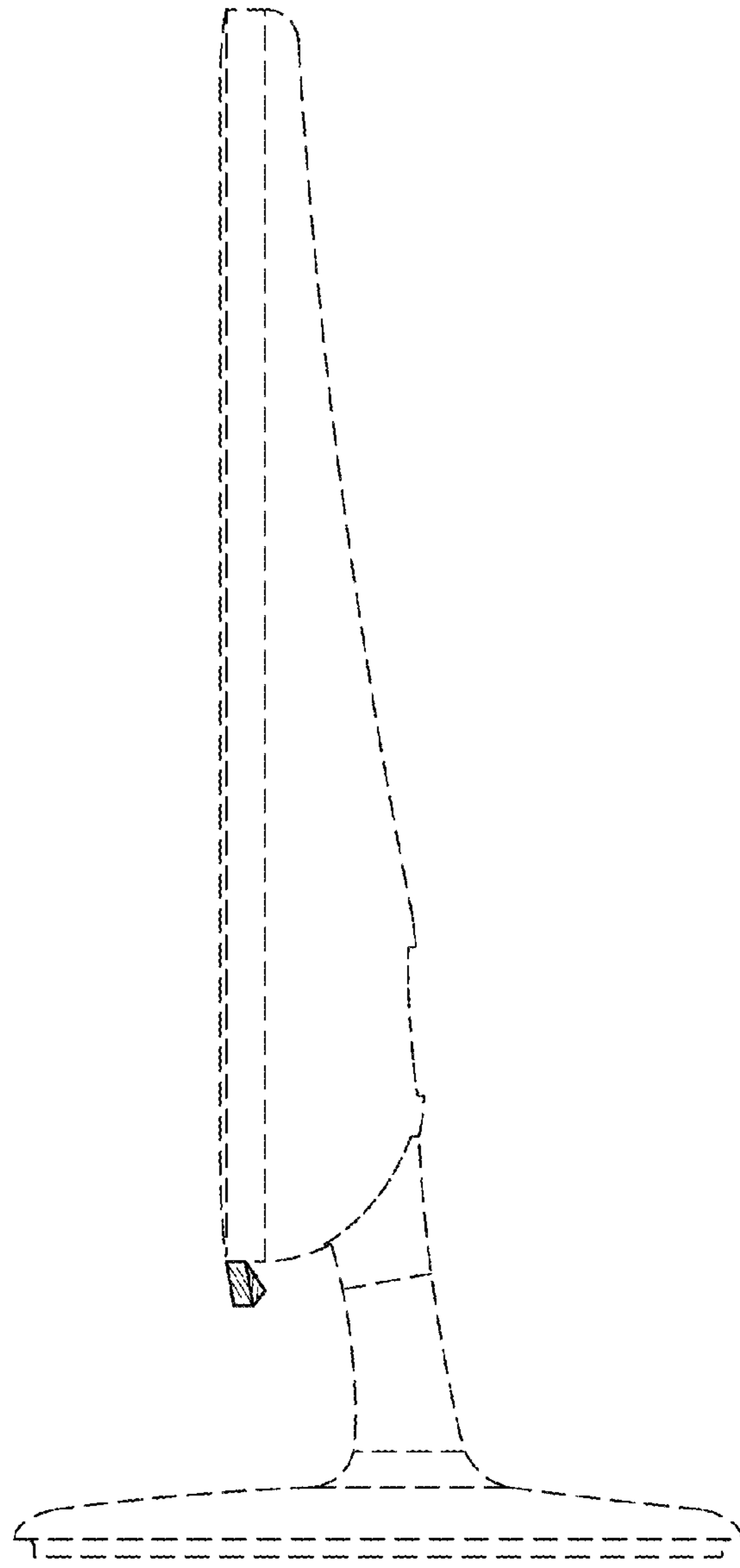


FIG. 5

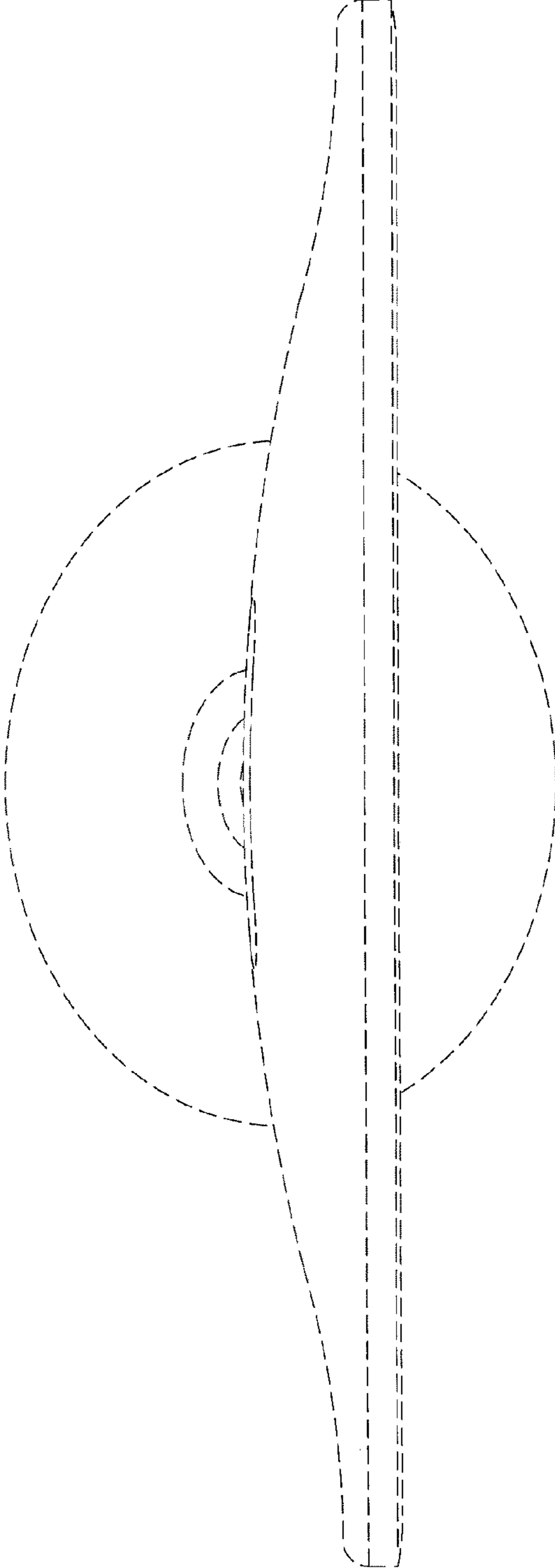


FIG. 6

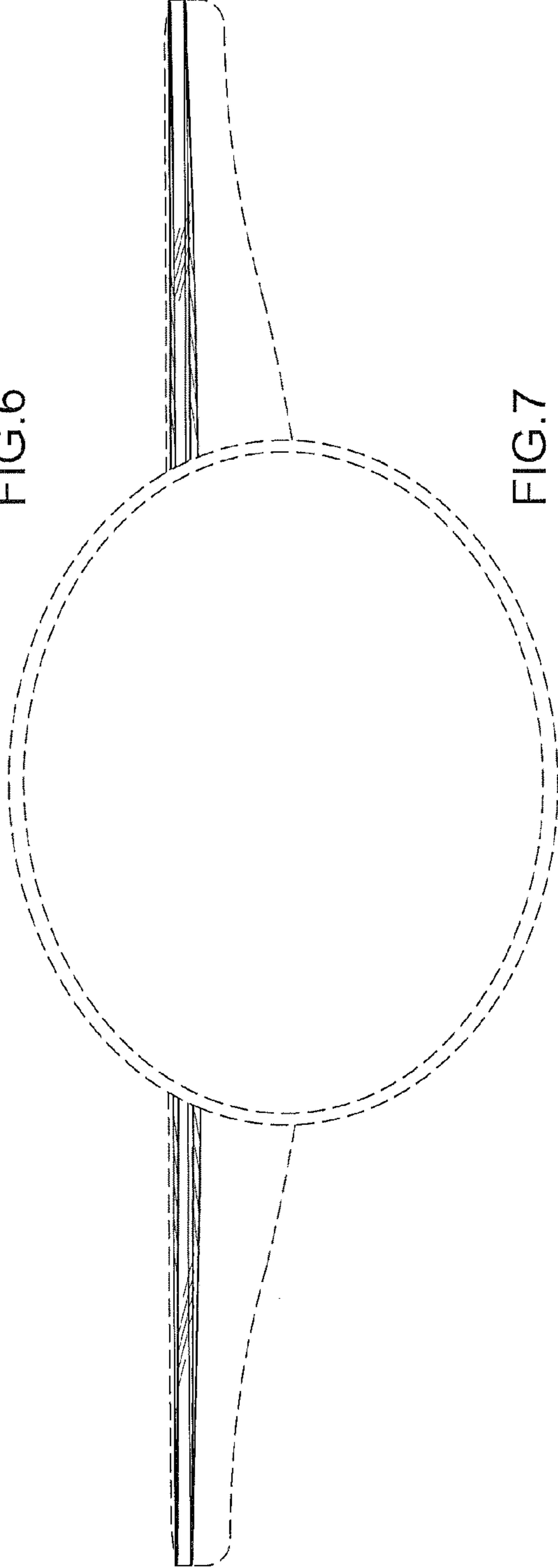


FIG. 7



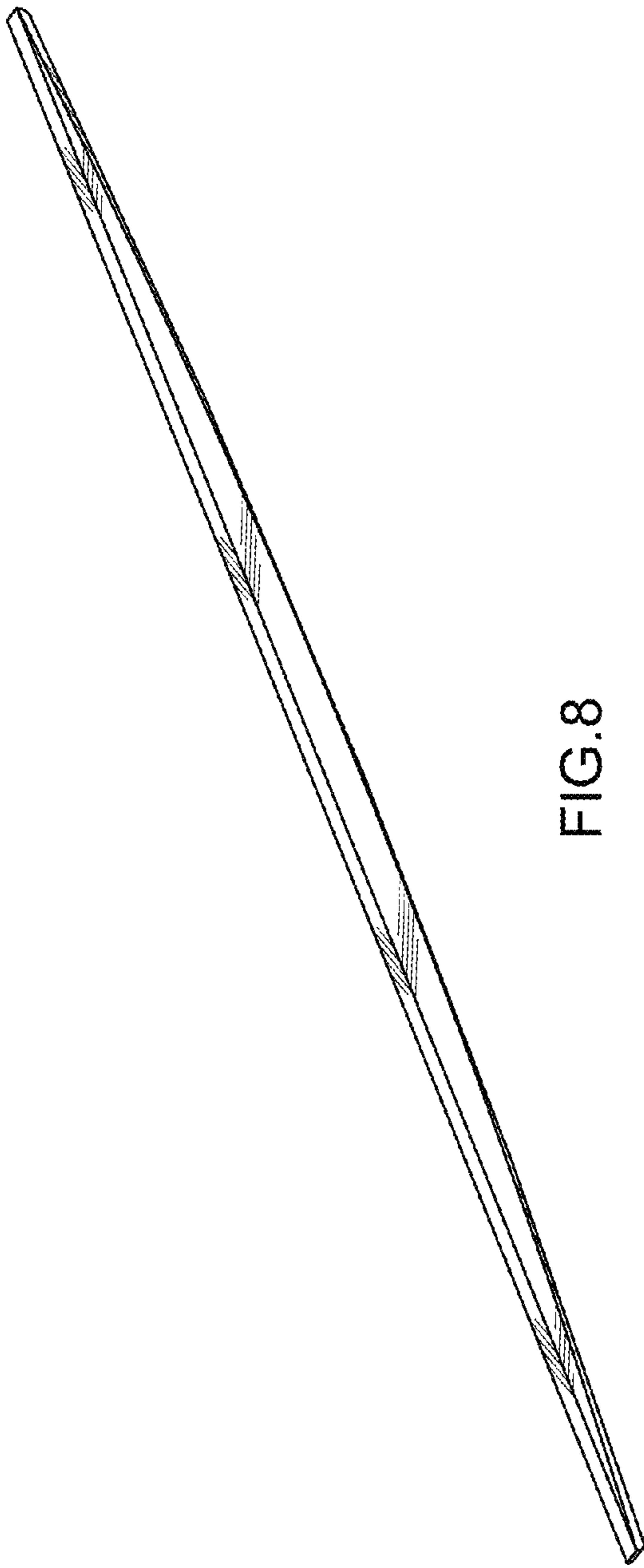


FIG. 8

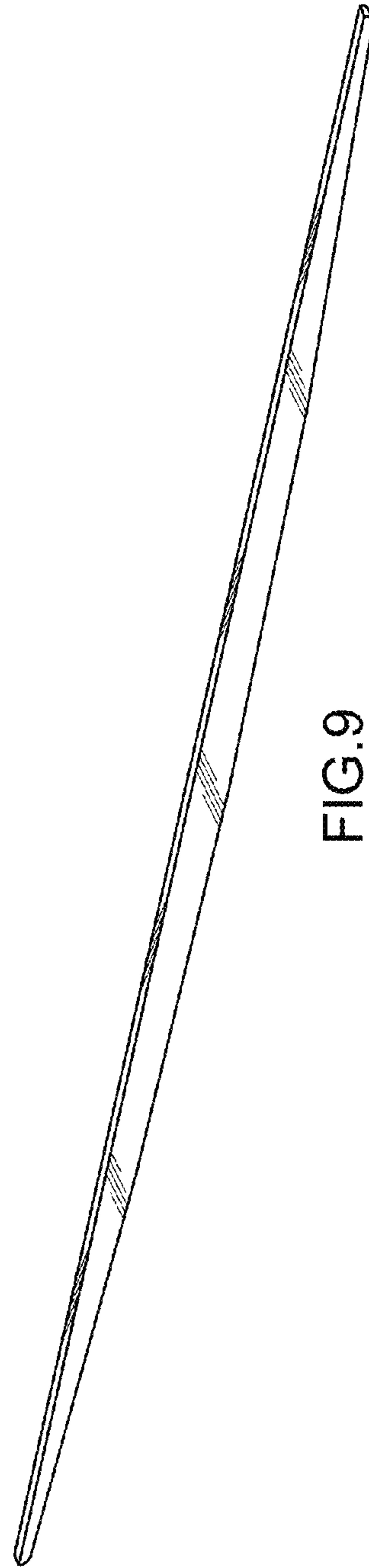


FIG. 9