



US00D683732S

(12) **United States Design Patent**
Barley et al.

(10) **Patent No.:** **US D683,732 S**
(45) **Date of Patent:** **** Jun. 4, 2013**

(54) **WIRELESS COMMUNICATION UNIT**

(75) Inventors: **Christopher B. Barley**, Grand Prairie, TX (US); **James Brandon Roach**, Grand Prairie, TX (US)

(73) Assignee: **WGI Innovations, Ltd.**, Grand Prairie, TX (US)

(**) Term: **14 Years**

(21) Appl. No.: **29/396,207**

(22) Filed: **Jun. 27, 2011**

(51) **LOC (9) Cl.** **14-02**

(52) **U.S. Cl.**
USPC **D14/432**

(58) **Field of Classification Search**
USPC D14/300–302, 308–313, 314, 348, D14/353–355, 432, 439–446, 240; 361/679.02, 361/679.31, 679.5, 690, 694, 679.23, 801, 361/802; 312/332.1, 334.1; D13/162; D10/50
See application file for complete search history.

(56) **References Cited**

PUBLICATIONS

TrendNet, 450Mbps Wireless N Gigabit Router, 3 web pages, http://www.trendnet.com/print/print_products.asp?lang=/&prod=215_TEW-691GR&cat=157, May 12, 2011.
TrendNet, 300Mbps Concurrent Dual Band Wireless N Gigabit Router, 4 web pages, http://www.trendnet.com/print/print_products.asp?lang=/&prod=160_TEW-673GRU&cat=161; 300Mbps Con-

current Dual Band Wireless N Router, 4 web pages, http://www.trendnet.com/print/print_products.asp?lang=/&prod=155_TEW-671BR&cat=161, May 12, 2011.
Netgear, Prosafe Wirelss Access Point 802.11G WG302, 3 web pages, <http://www.netgear.com/business/products/access-Points-wirelss-controllers/access-points/WG302.aspx>, May 12, 2011.
Linksys Support, Wireless-G Broadband Router (WRT54GL), 1 web page, <http://homesupport.cisco.com/en-us/wireless/lbc/WRT54GL/download>, May 12, 2011.
Speedguide, Broadband Hardware, Hawking HWRGM1A, 3 web pages, <http://www.speedguide.net/routers/hawking-hwrgmla-wireless-108g-mimo-router-with-157>, May 12, 2011.
Belkin, Networking, 1 web page, <http://www.belkin.com/networking/wireless-routers/>, May 12, 2011,

Primary Examiner — Austin Murphy

(74) *Attorney, Agent, or Firm* — Geoffrey A. Mantooth

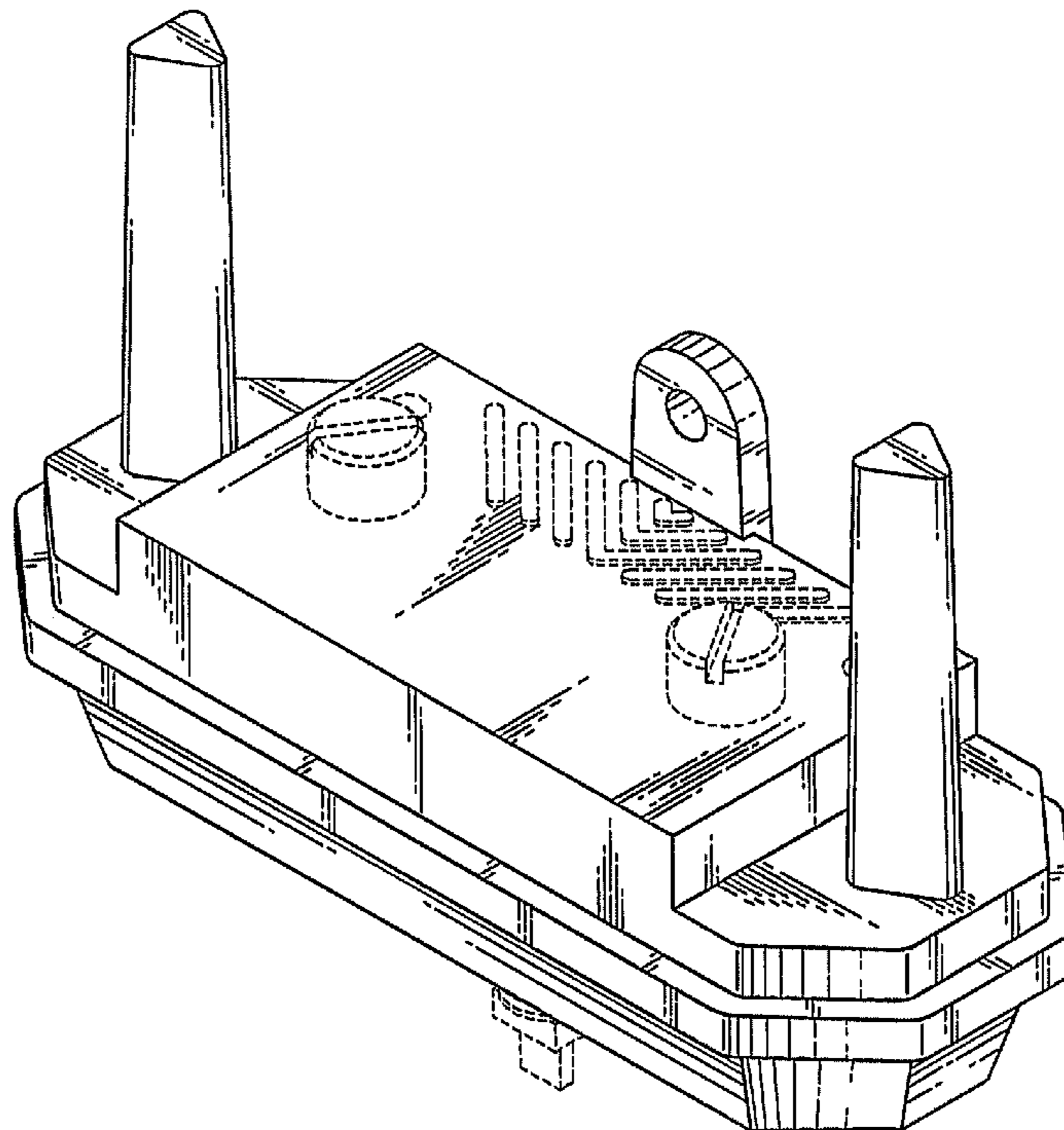
(57) **CLAIM**

The ornamental design for a wireless communication unit, as shown and described.

DESCRIPTION

FIG. 1 is a perspective front, top and left side view of a wireless communication unit, showing our new design; FIG. 2 is a front elevational view thereof; FIG. 3 is a top plan view thereof; FIG. 4 is a left elevational thereof, the right elevational view being a mirror image thereof; FIG. 5 is a rear elevational view thereof; and, FIG. 6 is a bottom plan thereof.
The portions of the article in broken lines are for illustrative purposes only and form no part of the claimed design.

1 Claim, 4 Drawing Sheets



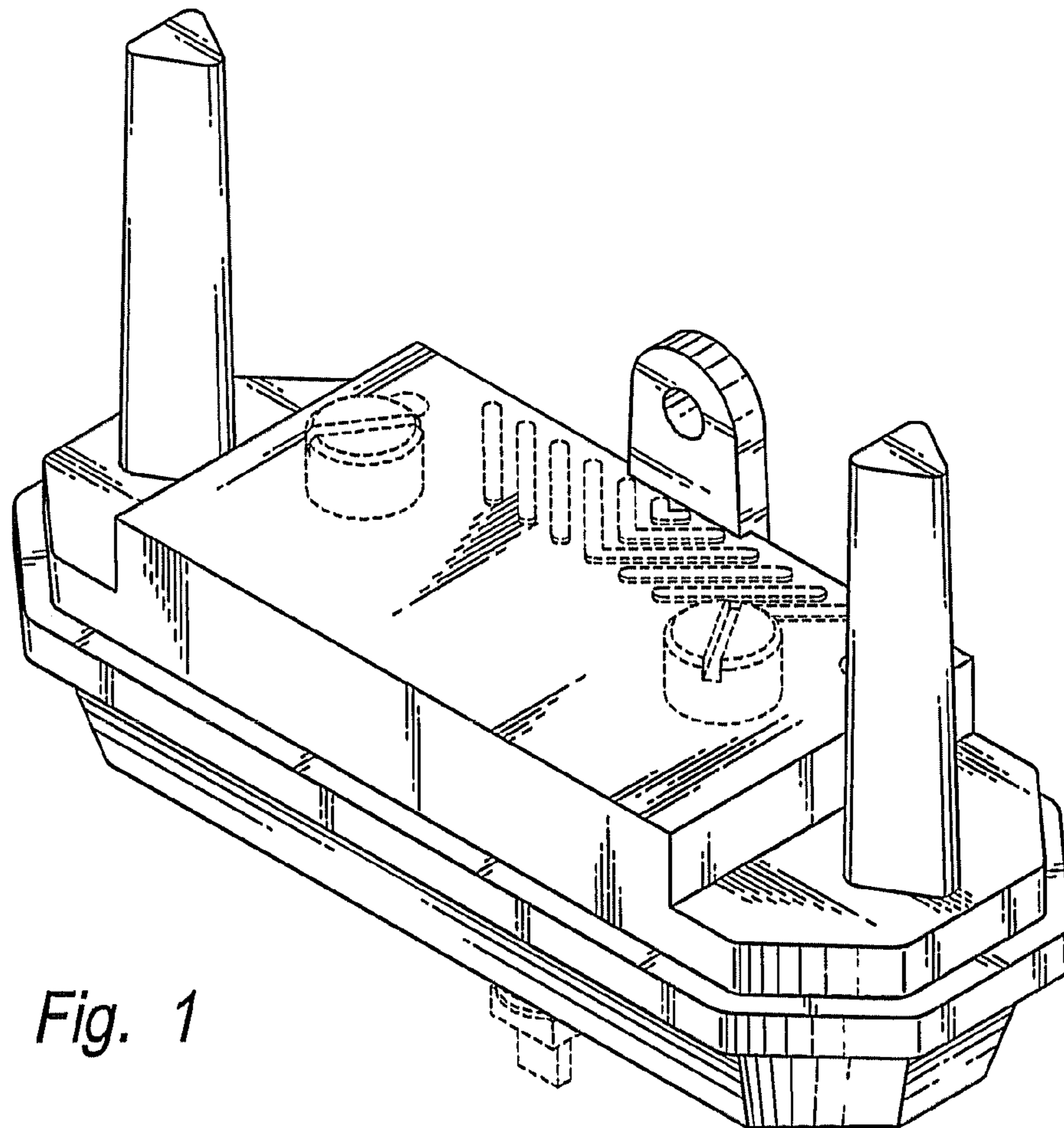


Fig. 1

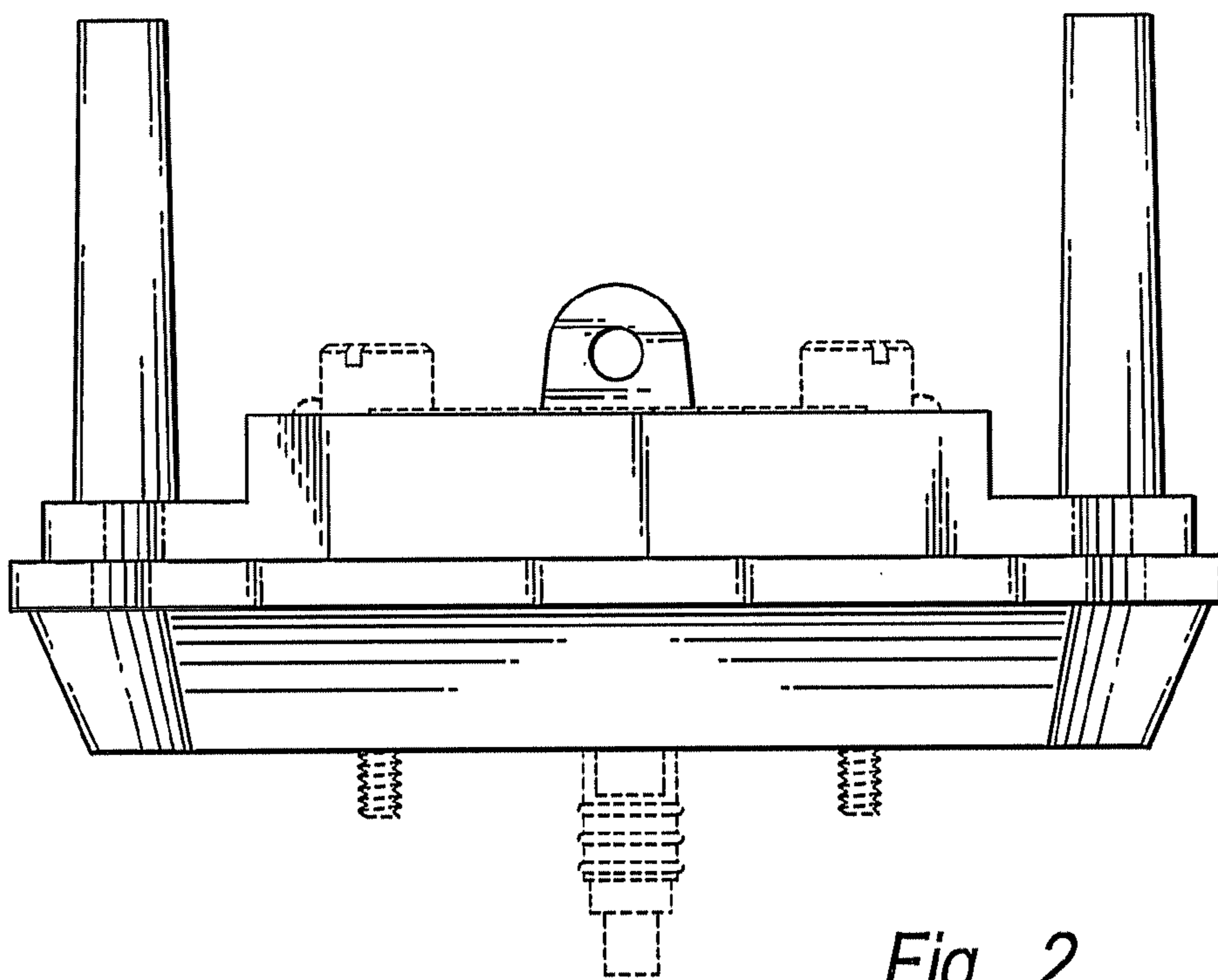


Fig. 2

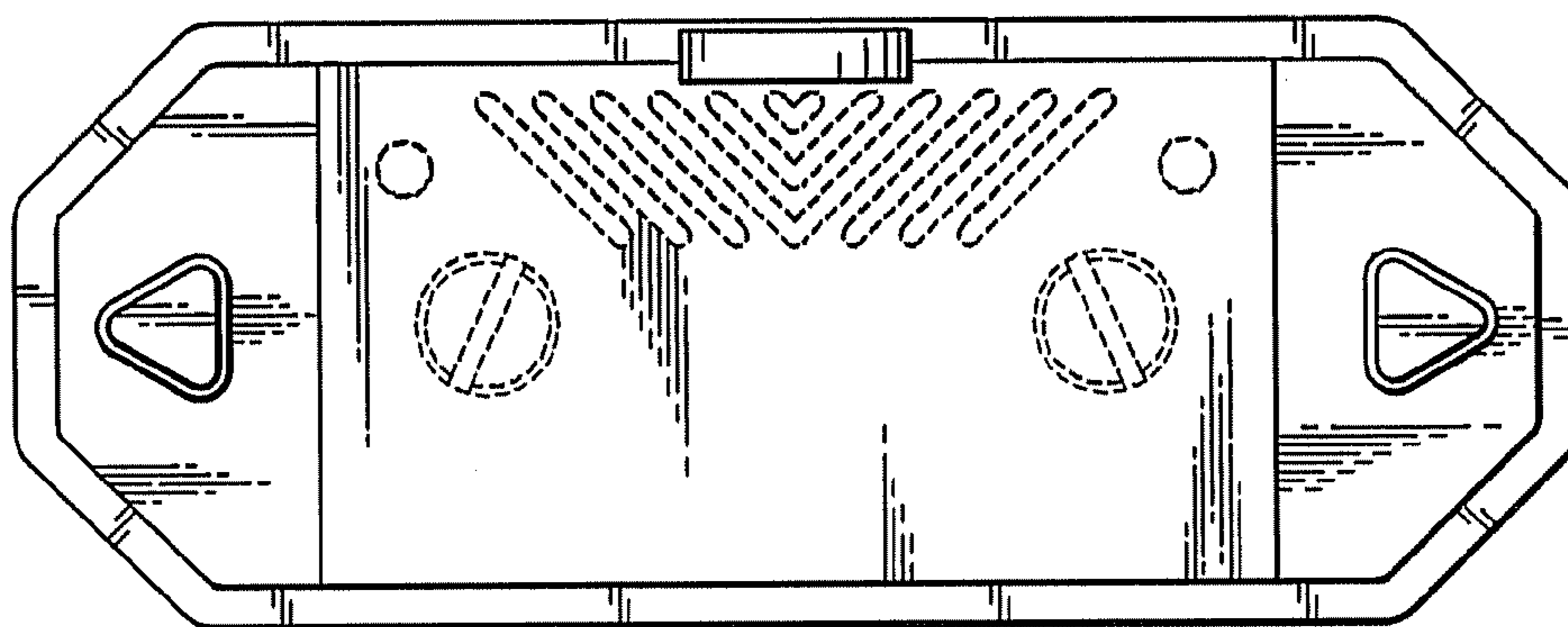


Fig. 3

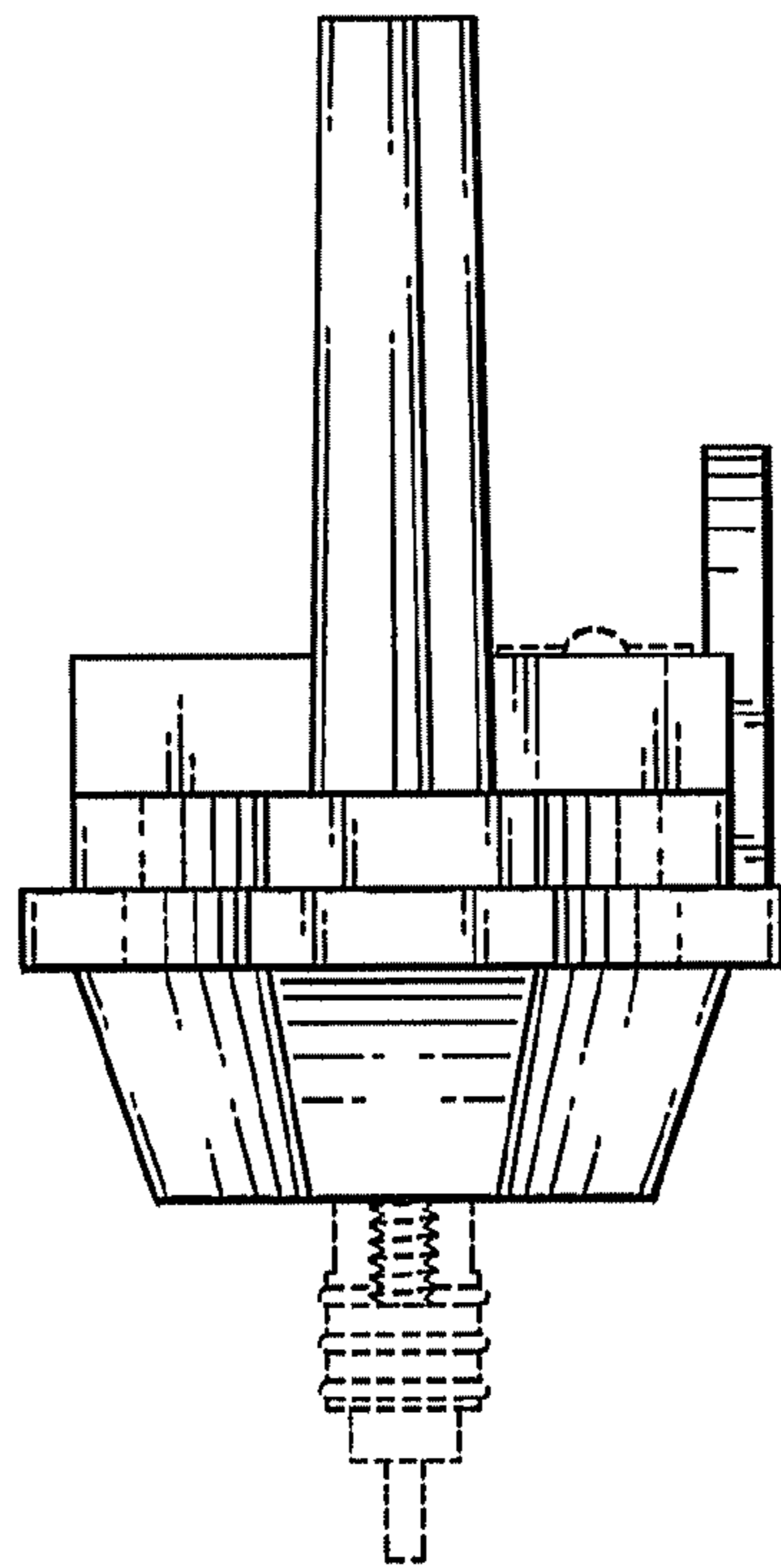


Fig. 4

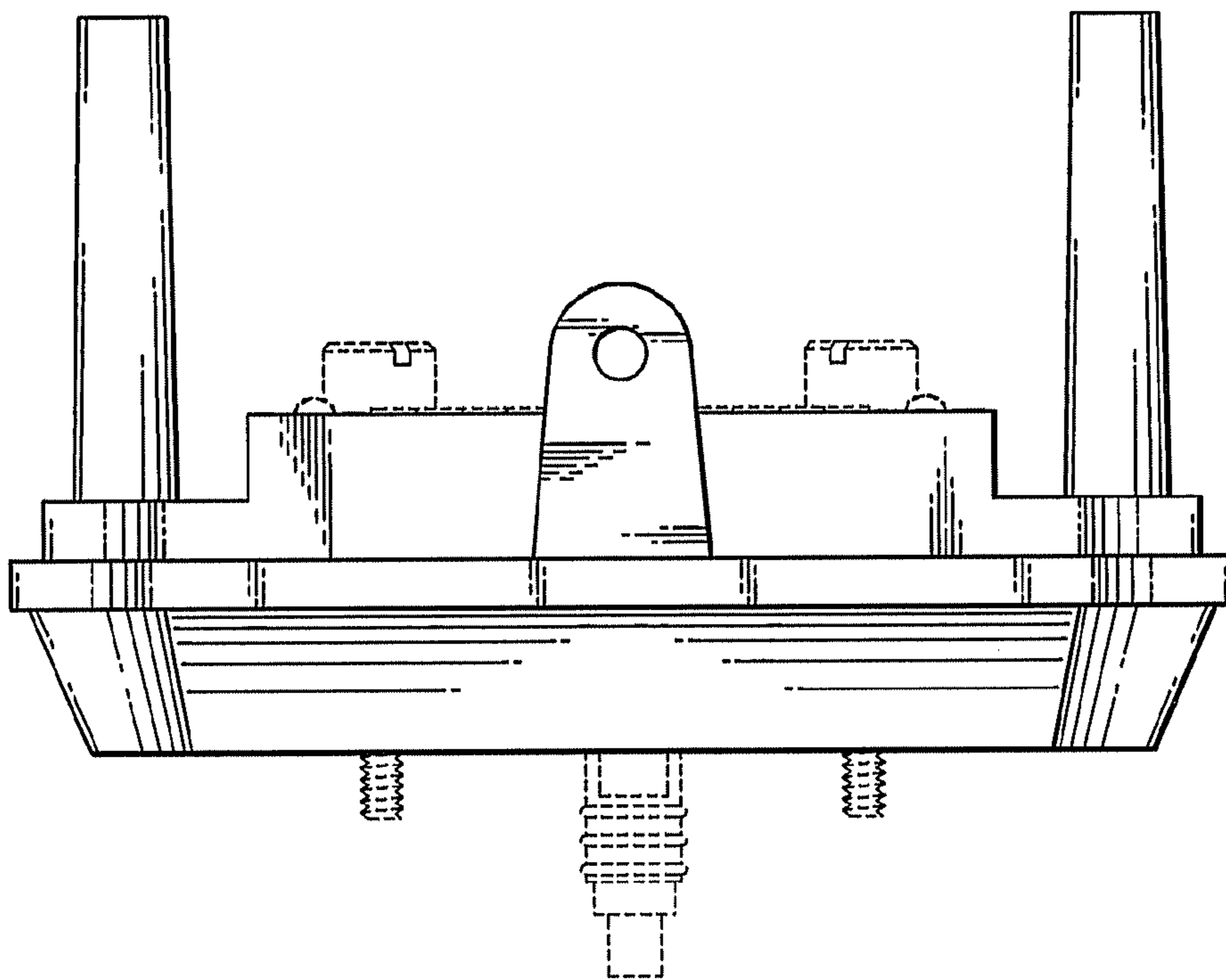


Fig. 5

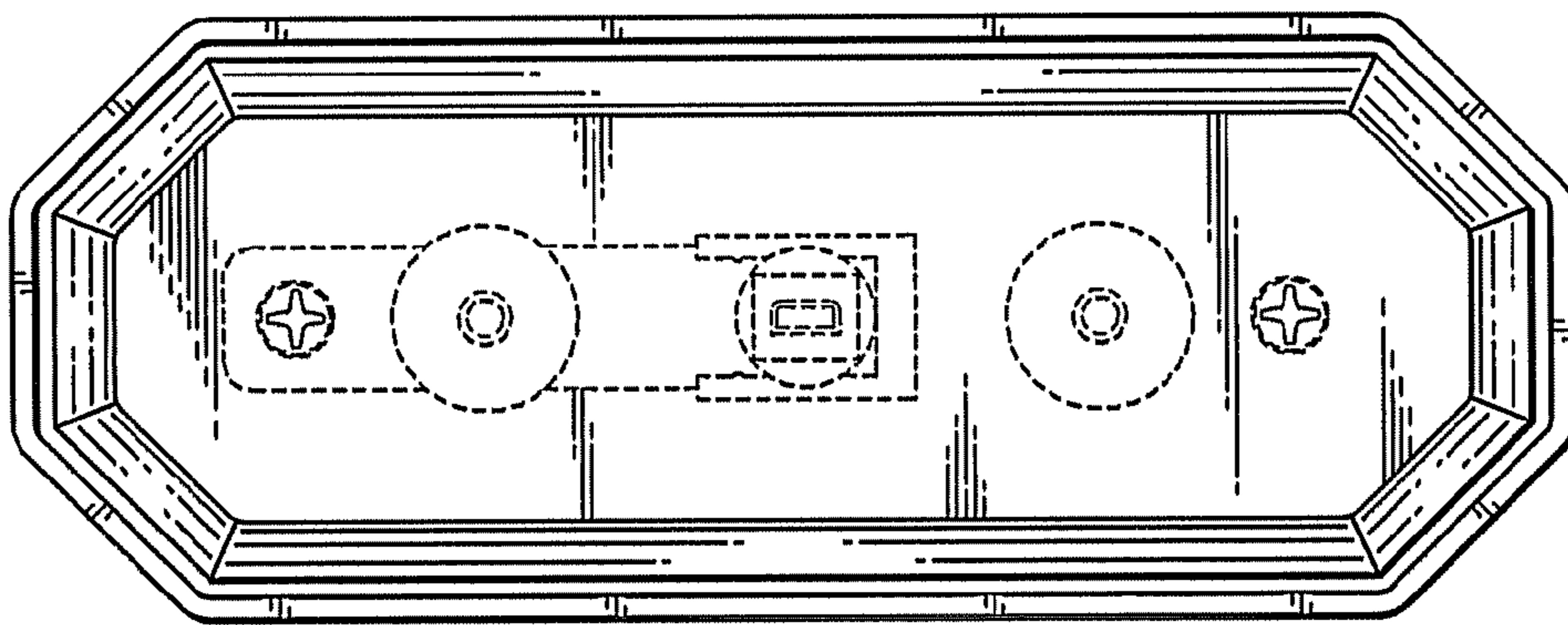


Fig. 6