



US00D683731S

(12) **United States Design Patent**
Chiu et al.

(10) **Patent No.:** **US D683,731 S**
(45) **Date of Patent:** **** Jun. 4, 2013**

(54) **TABLET COMPUTER COMBINED WITH COVER WITH KEYBOARD**

(75) Inventors: **Wen-Yi Chiu**, Taipei (TW); **Kuan-Yu Chou**, Taipei (TW); **Po-Hsien Yang**, Taipei (TW); **Hong-Tien Wang**, Taipei (TW)

(73) Assignee: **Compal Electronics, Inc.**, Taipei (TW)

(**) Term: **14 Years**

(21) Appl. No.: **29/393,082**

(22) Filed: **May 31, 2011**

(51) **LOC (9) Cl.** **14-02**

(52) **U.S. Cl.**
USPC **D14/345**; D14/346

(58) **Field of Classification Search**
USPC D14/341–347, 137, 138, 138.1, 138 A, D14/138 AA, 138 R, 138 AB, 138 AC, 138 AD, D14/138 C, 138 G, 496, 203.1, 203.3, 203.4, D14/203.5, 203.7, 426, 427, 432, 429, 129, D14/130, 420, 439–441, 448, 125, 126, 147, D14/156, 218, 247–248, 250, 389, 388, 315–318, 217, 392; D10/65, 104; D18/6–7; D21/324, 329, 330; D19/26, 59, 60; 455/556.1, 455/556.2, 566, 575.1, 90.3; 379/433.04, 379/433.01, 433.06, 916; 345/169, 173, 901, 345/905; 361/679.26, 679.27, 679.3, 679.55, 361/679.56

See application file for complete search history.

(56) **References Cited**

U.S. PATENT DOCUMENTS

6,829,140 B2 * 12/2004 Shimano et al. 361/679.09
D557,259 S * 12/2007 Hirsch D14/217
D599,792 S * 9/2009 Lin D14/331
D621,826 S * 8/2010 Cheng et al. D14/327
D621,827 S * 8/2010 Cheng et al. D14/327
D639,296 S * 6/2011 Tseng et al. D14/345

D649,153 S * 11/2011 Symons D14/447
D649,543 S * 11/2011 Tseng et al. D14/315
D650,380 S * 12/2011 Ballout D14/331
D658,188 S * 4/2012 Diebel D14/440
D659,134 S * 5/2012 Ahn et al. D14/318
D659,139 S * 5/2012 Gengler D14/392
8,203,832 B2 * 6/2012 Szabolcsi 361/679.06
D663,304 S * 7/2012 Akana et al. D14/440

(Continued)

OTHER PUBLICATIONS

Microsoft Surface Tablet, posted Jun. 18, 2012 [online], [retrieved Sep. 20, 2012]. Retrieved from Internet, <http://games.yahoo.com>.*

Primary Examiner — Barbara Fox

(74) *Attorney, Agent, or Firm* — CKC & Partners Co., Ltd.

(57) **CLAIM**

The ornamental design for a tablet computer combined with cover with keyboard, as shown.

DESCRIPTION

FIG. 1 is a perspective view of a tablet computer combined with cover with keyboard at open state showing our new design;

FIG. 2 is a front view thereof;

FIG. 3 is a rear view thereof;

FIG. 4 is a left side view thereof;

FIG. 5 is a right side view thereof;

FIG. 6 is a top view thereof;

FIG. 7 is a bottom view thereof;

FIG. 8 is a perspective view of a tablet computer combined with cover with keyboard at close state showing our new design;

FIG. 9 is a front view thereof;

FIG. 10 is a rear view thereof;

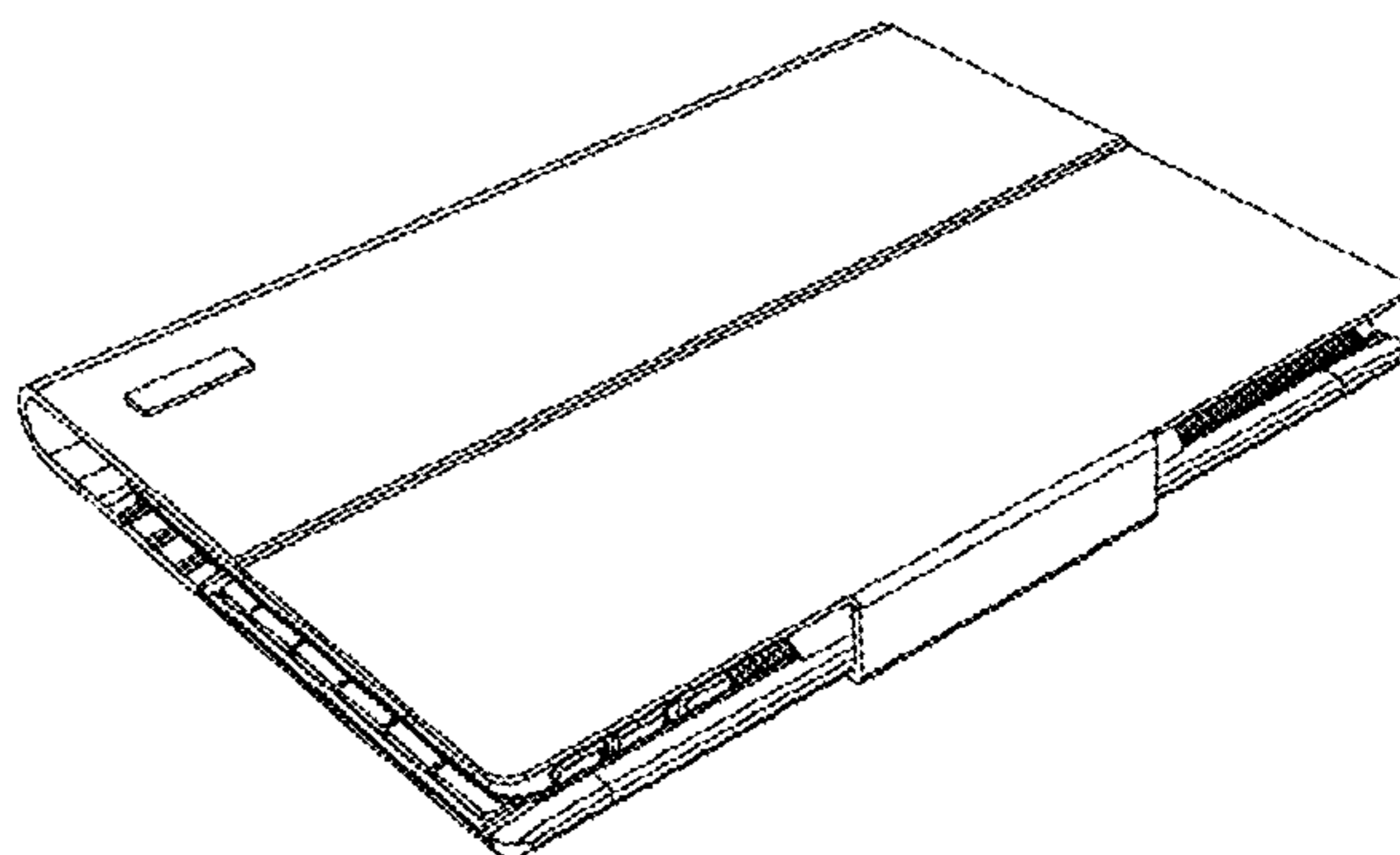
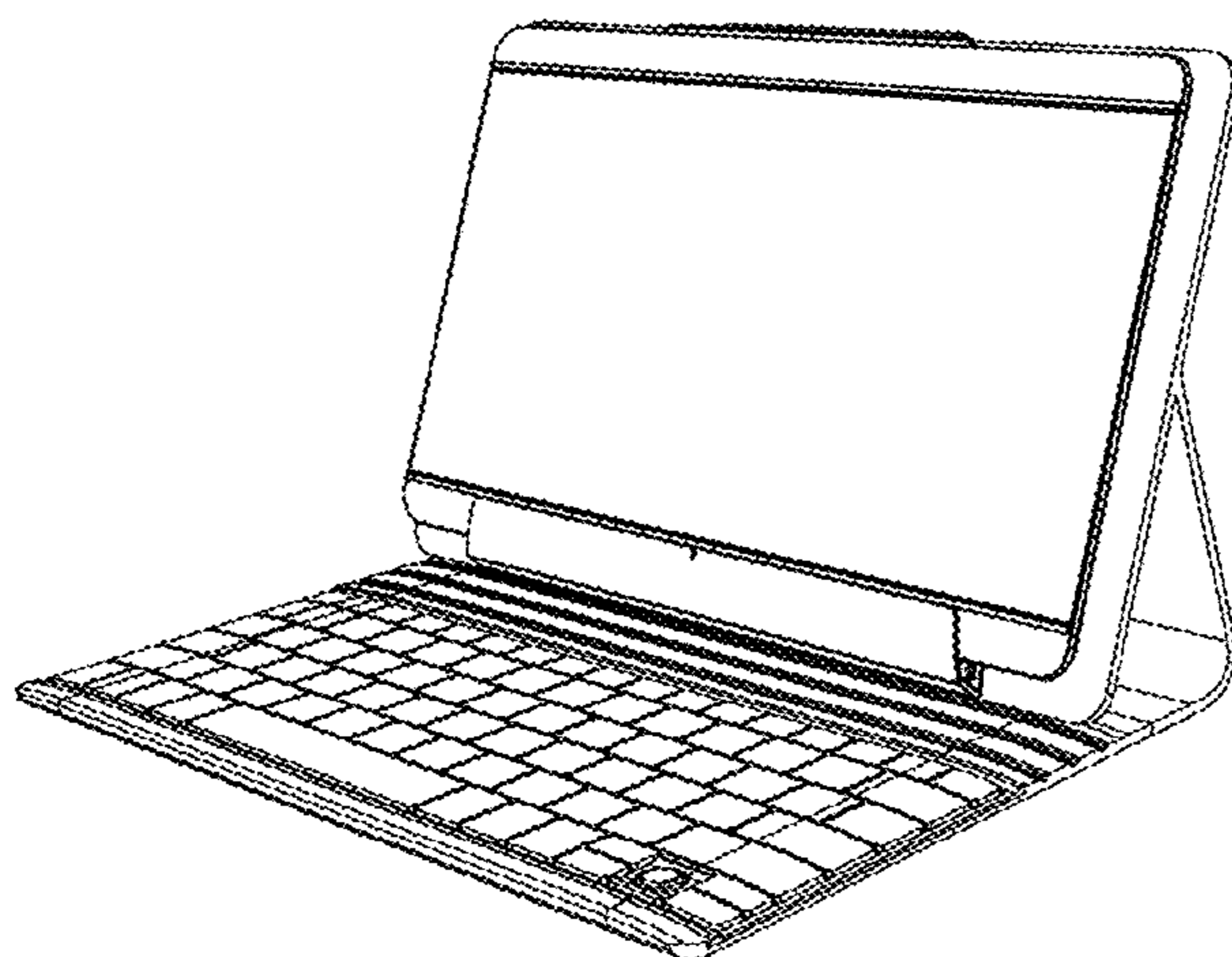
FIG. 11 is a left side view thereof;

FIG. 12 is a right side view thereof;

FIG. 13 is a top view thereof; and,

FIG. 14 is a bottom view thereof.

1 Claim, 8 Drawing Sheets



US D683,731 S

Page 2

U.S. PATENT DOCUMENTS

D665,370	S	*	8/2012	Chung	D14/138 AD	2005/0207100	A1	*	9/2005	Heckerman	361/681
D665,799	S	*	8/2012	Massaro et al.	D14/315	2010/0122924	A1	*	5/2010	Andrews	206/320
8,328,008	B2	*	12/2012	Diebel et al.	206/45.24	2012/0044638	A1	*	2/2012	Mongan et al.	361/679.55
2002/0122290	A1	*	9/2002	Davis, IV	361/683	2012/0194448	A1	*	8/2012	Rothkopf	345/173
2004/0159762	A1	*	8/2004	Ghosh	248/351	2012/0229973	A1	*	9/2012	Ting	361/679.56

* cited by examiner

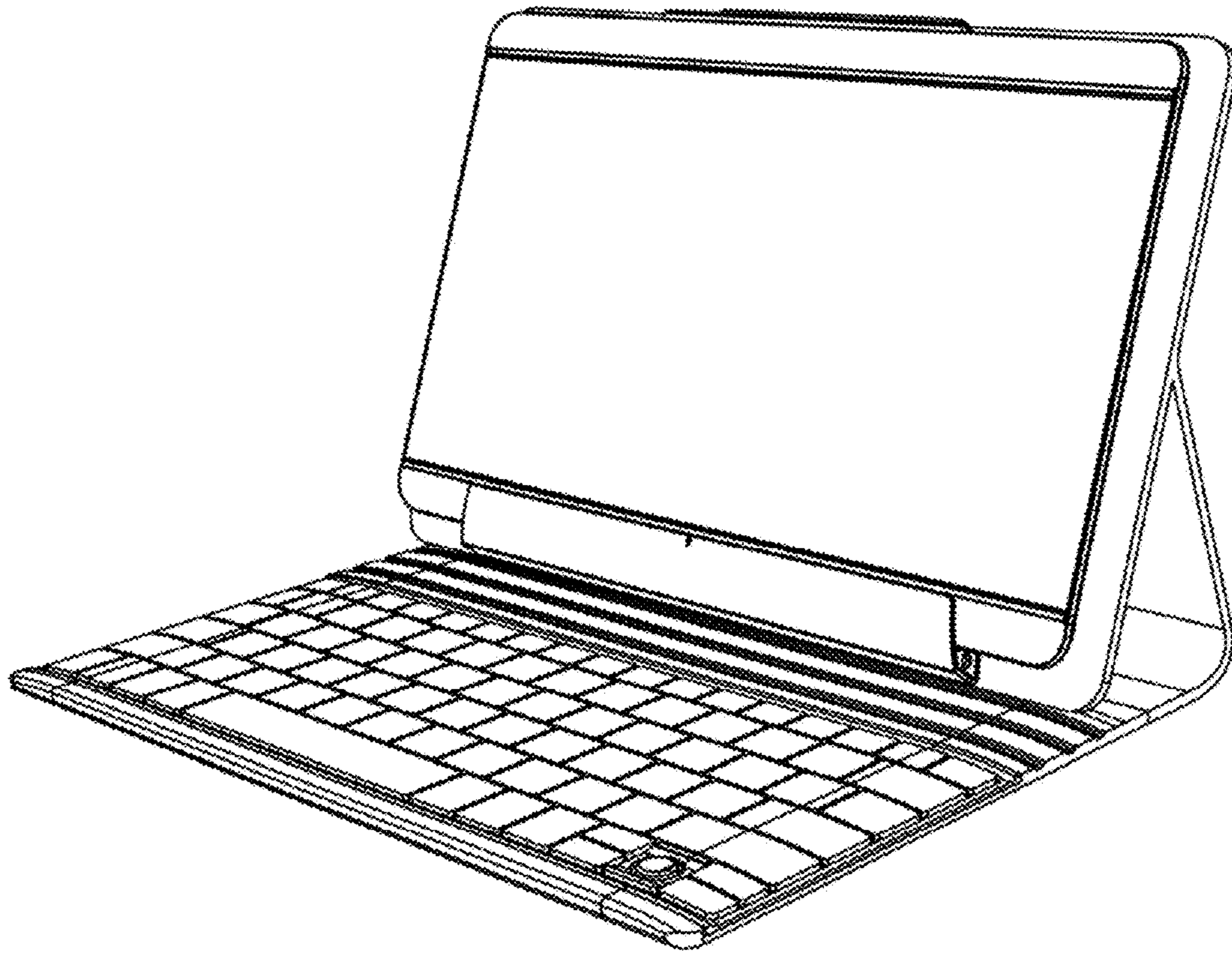


Fig. 1

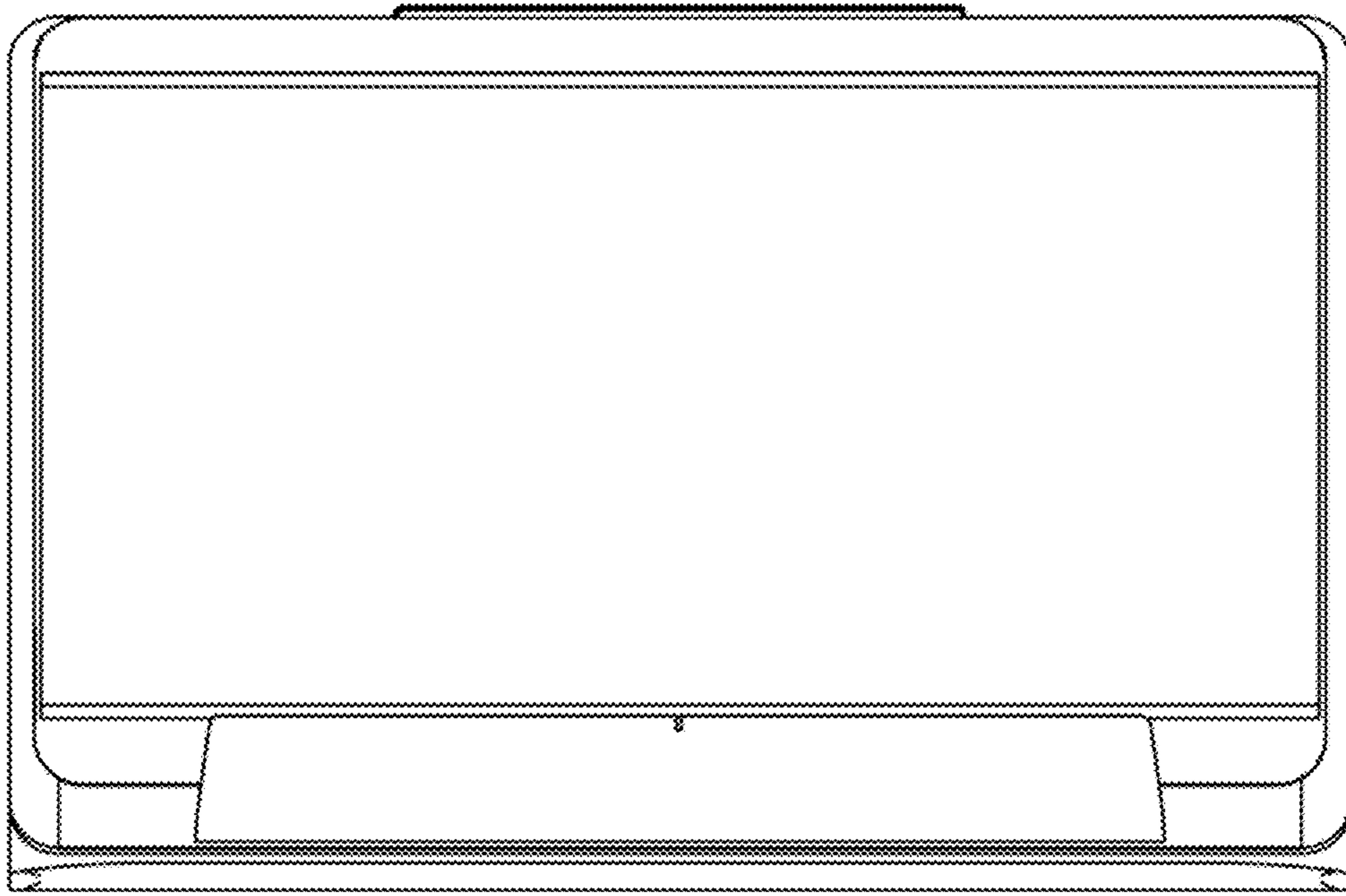


Fig. 2

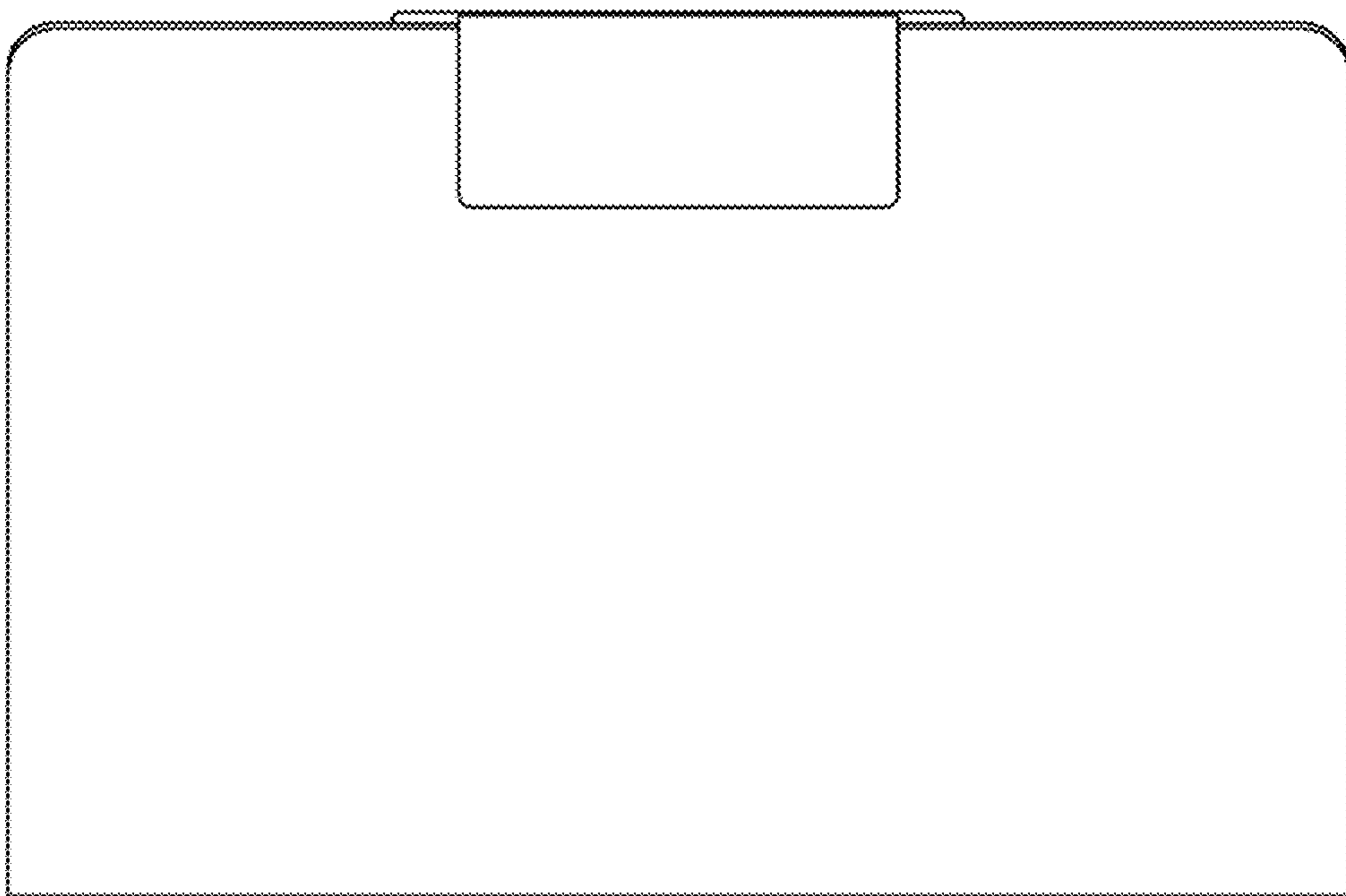


Fig. 3

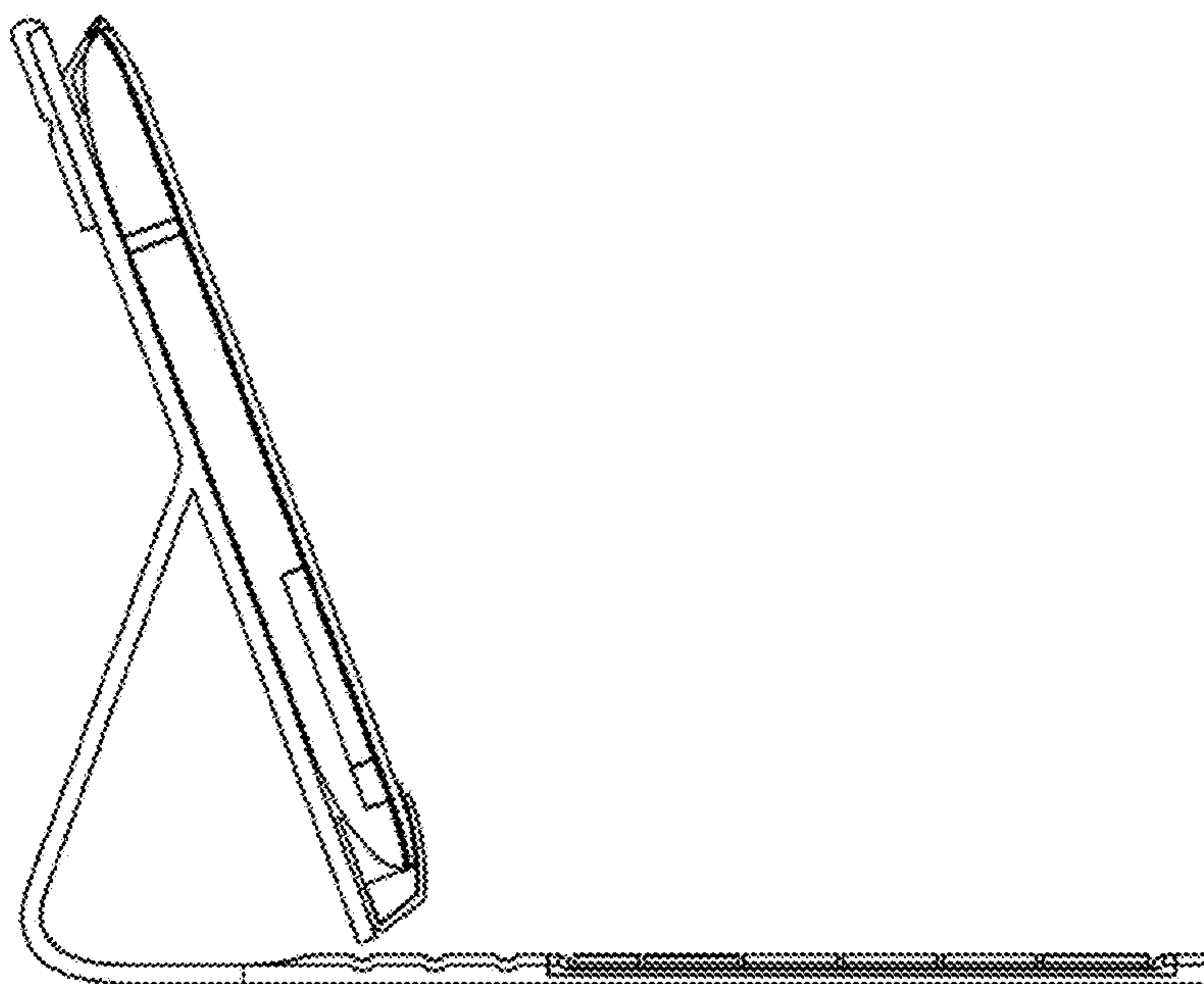


Fig. 4

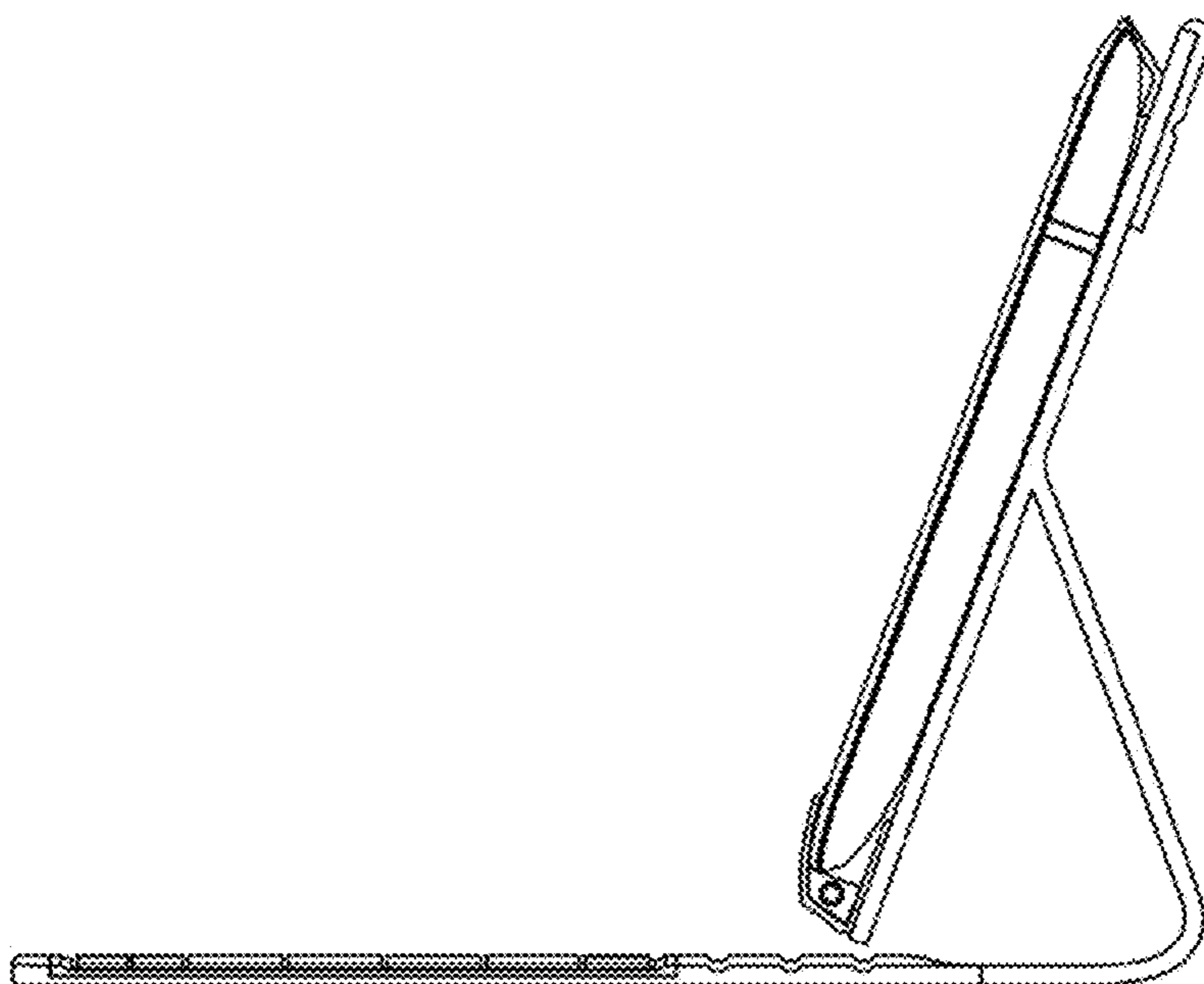


Fig. 5

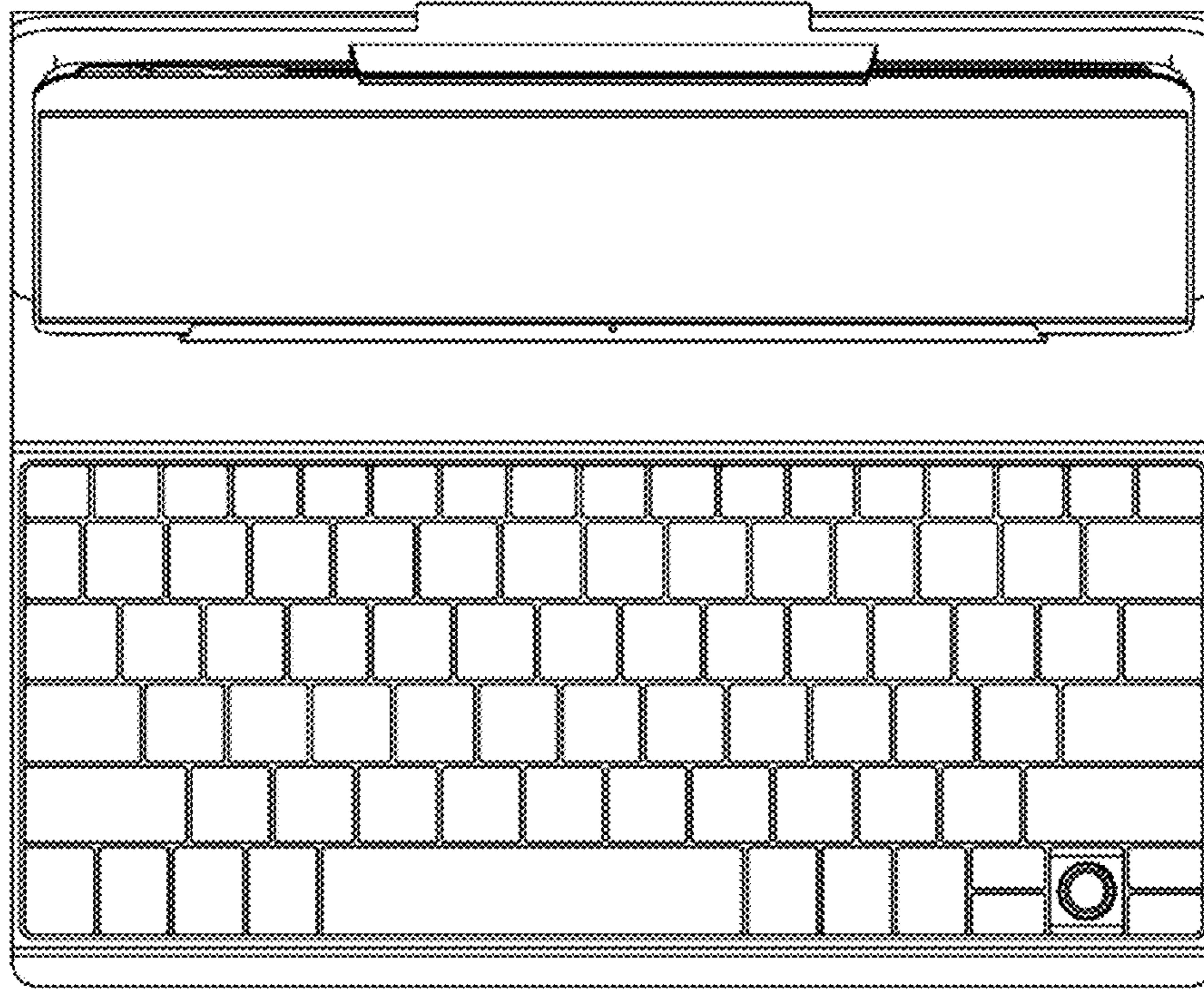


Fig. 6

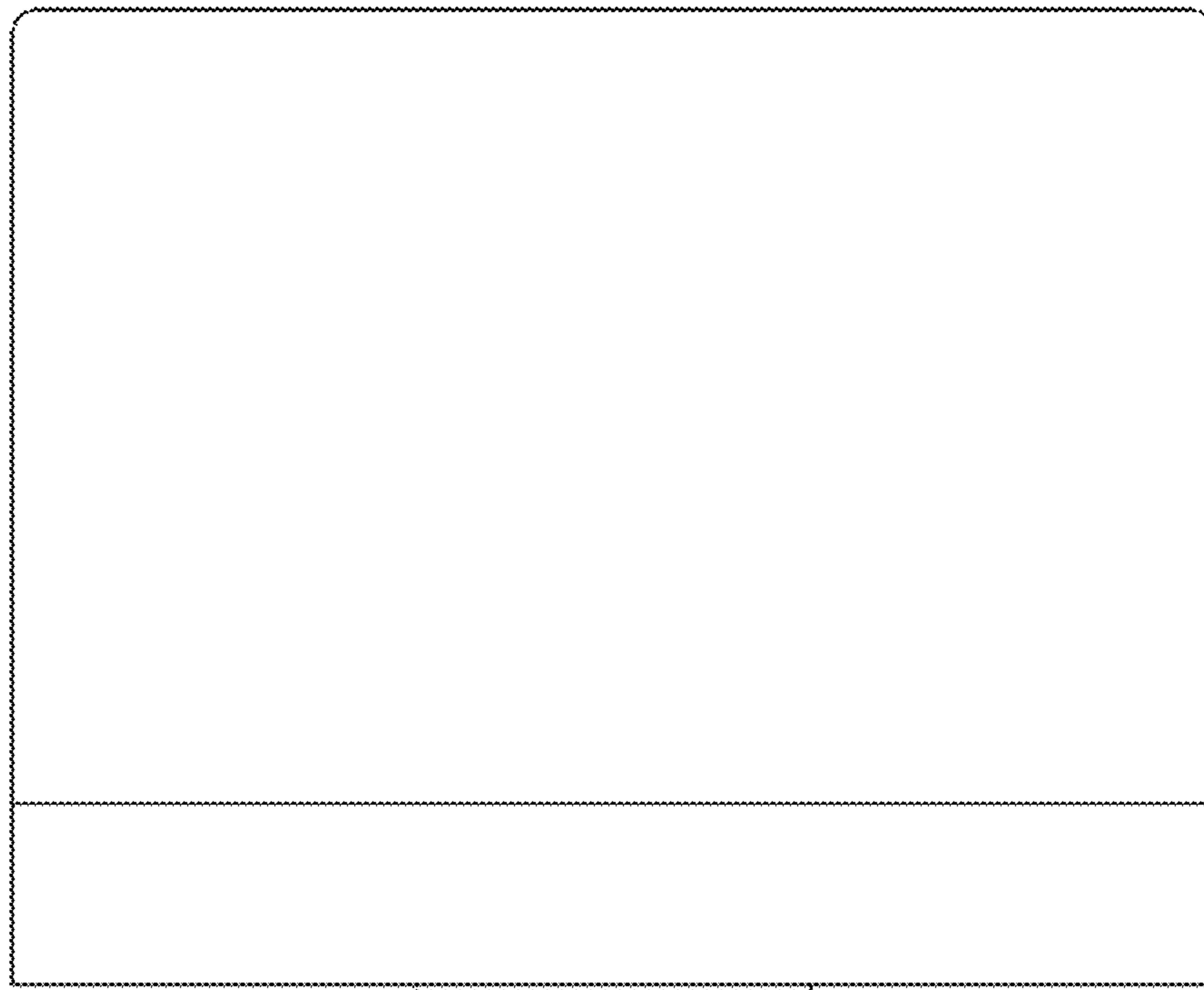


Fig. 7

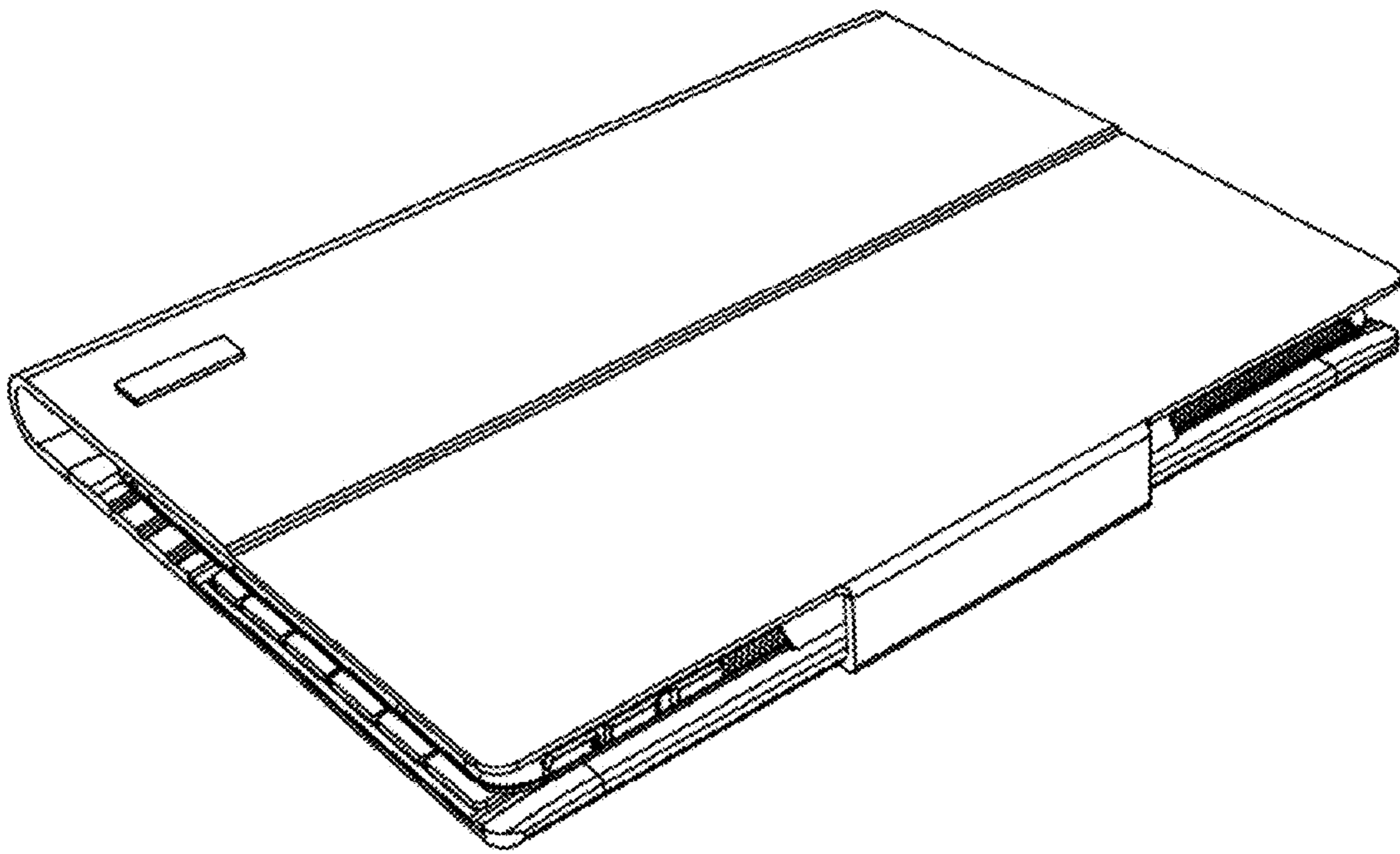


Fig. 8

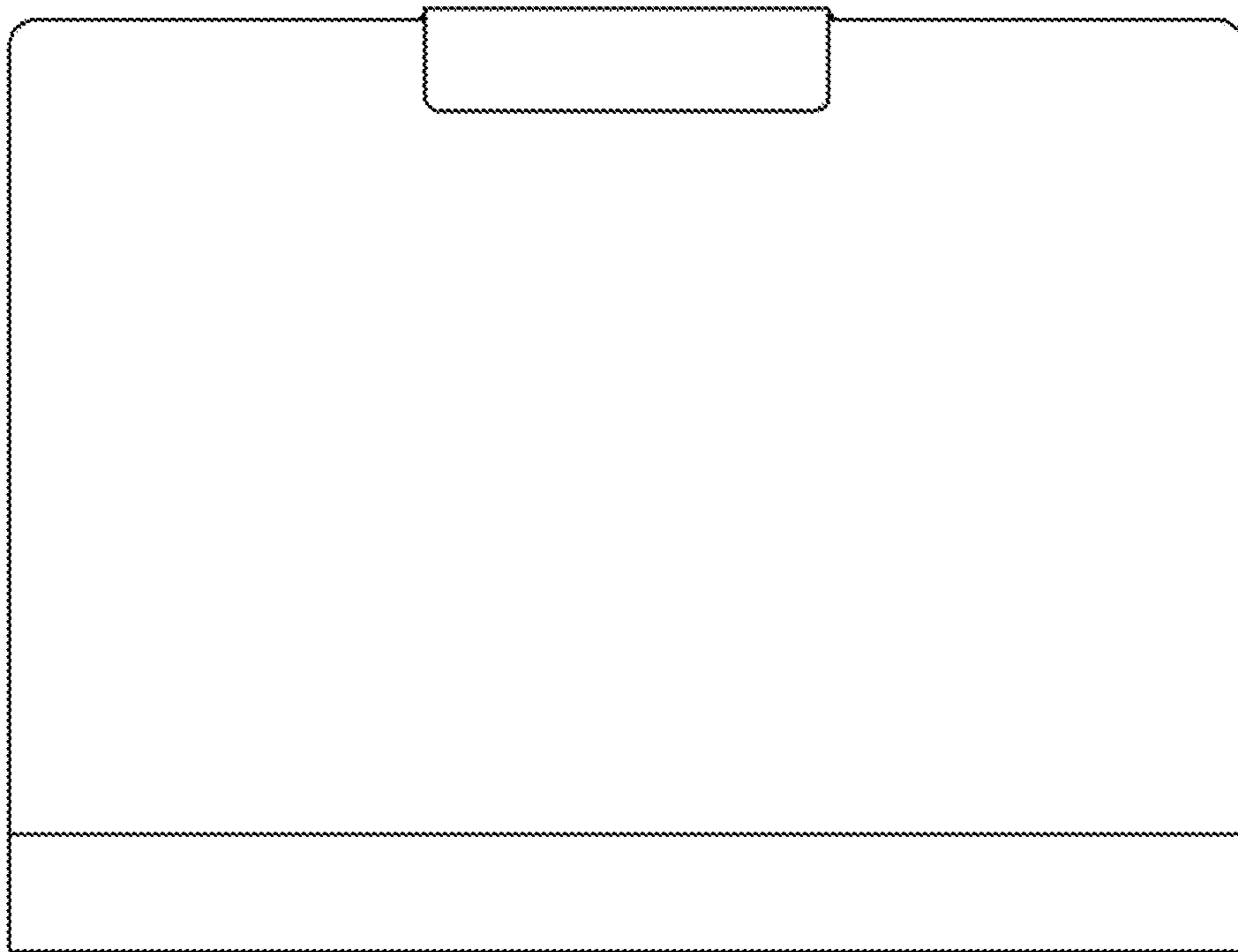


Fig. 9

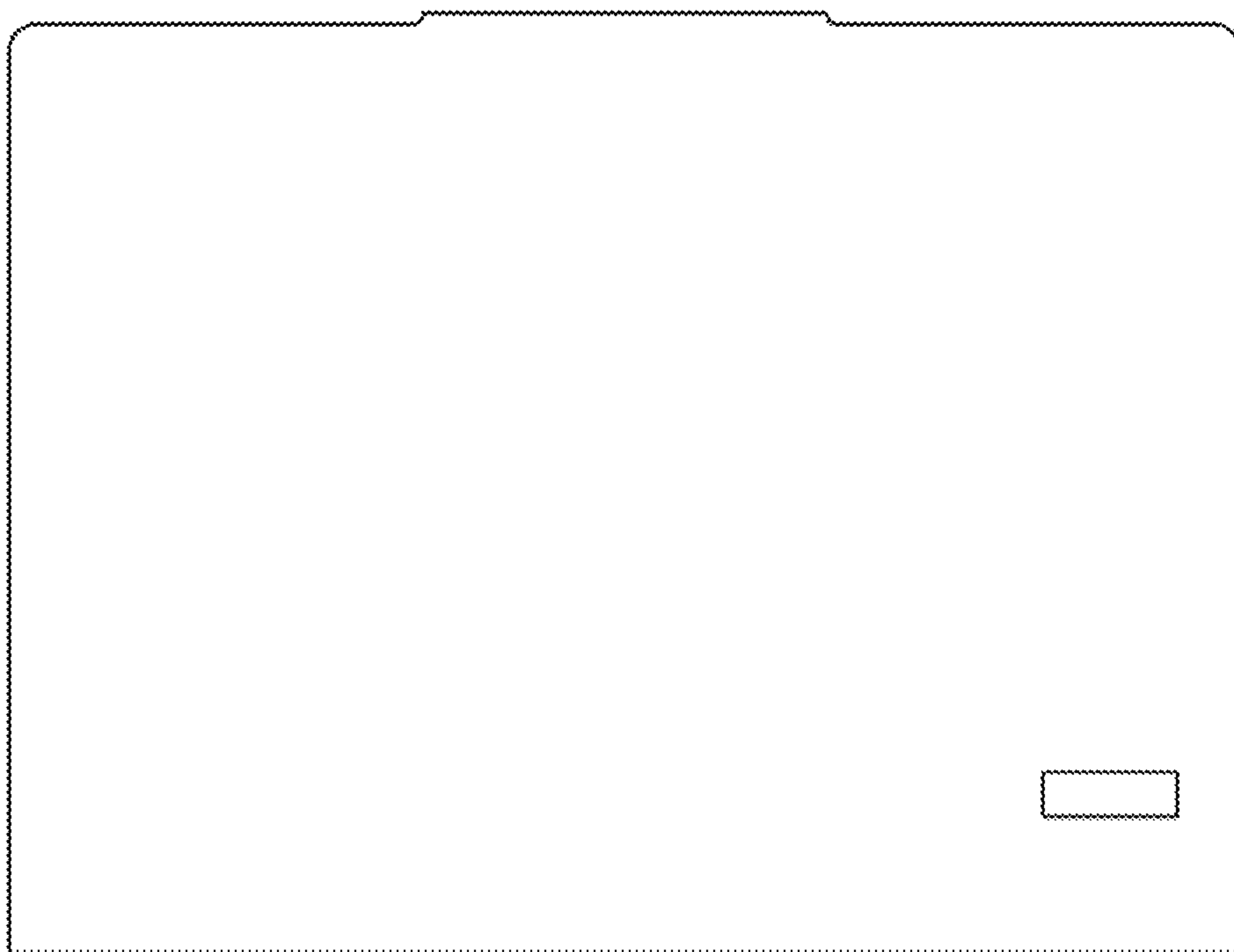


Fig. 10

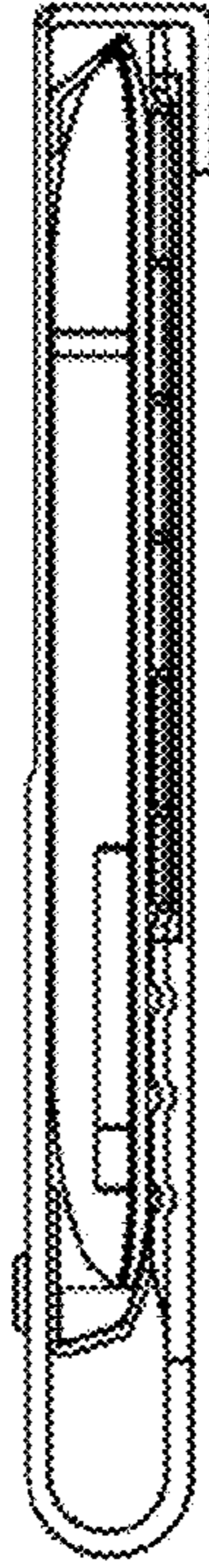


Fig. 11

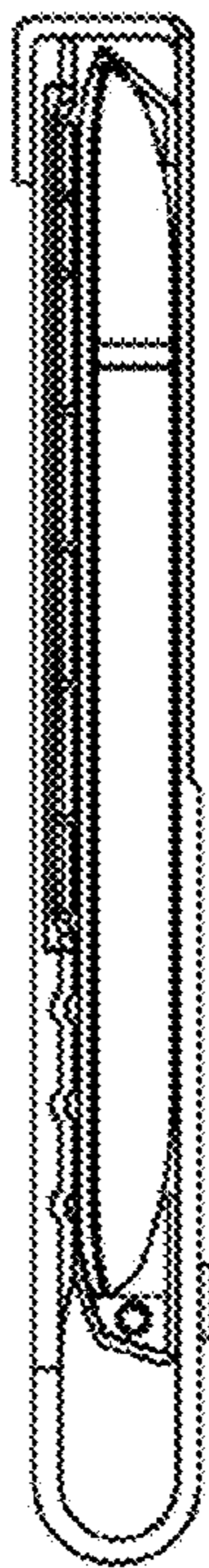


Fig. 12



Fig. 13



Fig. 14