



US00D683729S

(12) **United States Design Patent**  
**Jen**

(10) **Patent No.:** **US D683,729 S**  
(45) **Date of Patent:** **\*\* Jun. 4, 2013**

(54) **NOTEBOOK COMPUTER**

(75) **Inventor:** **Shin-Hao Jen**, New Taipei (TW)

(73) **Assignee:** **Quanta Computer Inc.**, Taoyuan Shien (TW)

(\*\*) **Term:** **14 Years**

(21) **Appl. No.:** **29/422,743**

(22) **Filed:** **May 23, 2012**

(30) **Foreign Application Priority Data**

Apr. 5, 2012 (TW) ..... 101301870

(51) **LOC (9) Cl.** ..... **14-02**

(52) **U.S. Cl.**  
USPC ..... **D14/318**

(58) **Field of Classification Search**  
USPC ..... D14/315-327, 341, 371; D18/1,  
D18/2, 7, 11; 235/145 A, 145 R; 341/22,  
341/23; 345/104, 156, 168, 169, 173;  
361/679.08, 679.09, 679.11, 679.26, 679.27  
See application file for complete search history.

(56) **References Cited**

**U.S. PATENT DOCUMENTS**

6,785,128 B1 \* 8/2004 Yun ..... 361/679.27  
D506,752 S \* 6/2005 Huh ..... D14/316  
7,916,889 B2 \* 3/2011 Takakusaki ..... 381/388

\* cited by examiner

*Primary Examiner* — Freda S Nunn

(74) *Attorney, Agent, or Firm* — Rabin & Berdo, P.C.

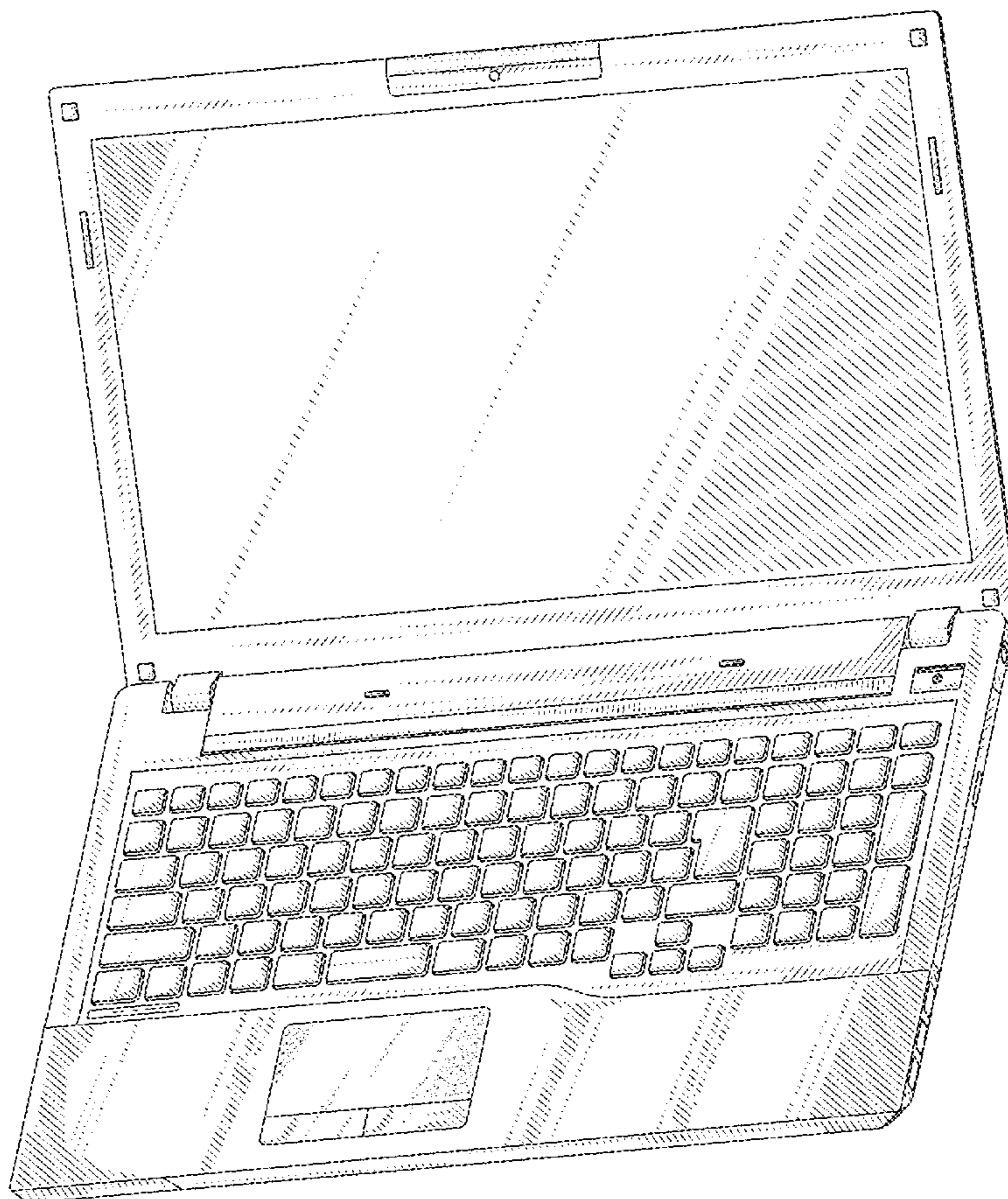
(57) **CLAIM**

The ornamental design for a notebook computer, as shown and described.

**DESCRIPTION**

FIG. 1 is a perspective view of a notebook computer showing my new design;  
FIG. 2 is a front view thereof;  
FIG. 3 is a rear view thereof;  
FIG. 4 is a left side view thereof;  
FIG. 5 is a right side view thereof;  
FIG. 6 is a top view thereof; and,  
FIG. 7 is a bottom view thereof.

**1 Claim, 6 Drawing Sheets**



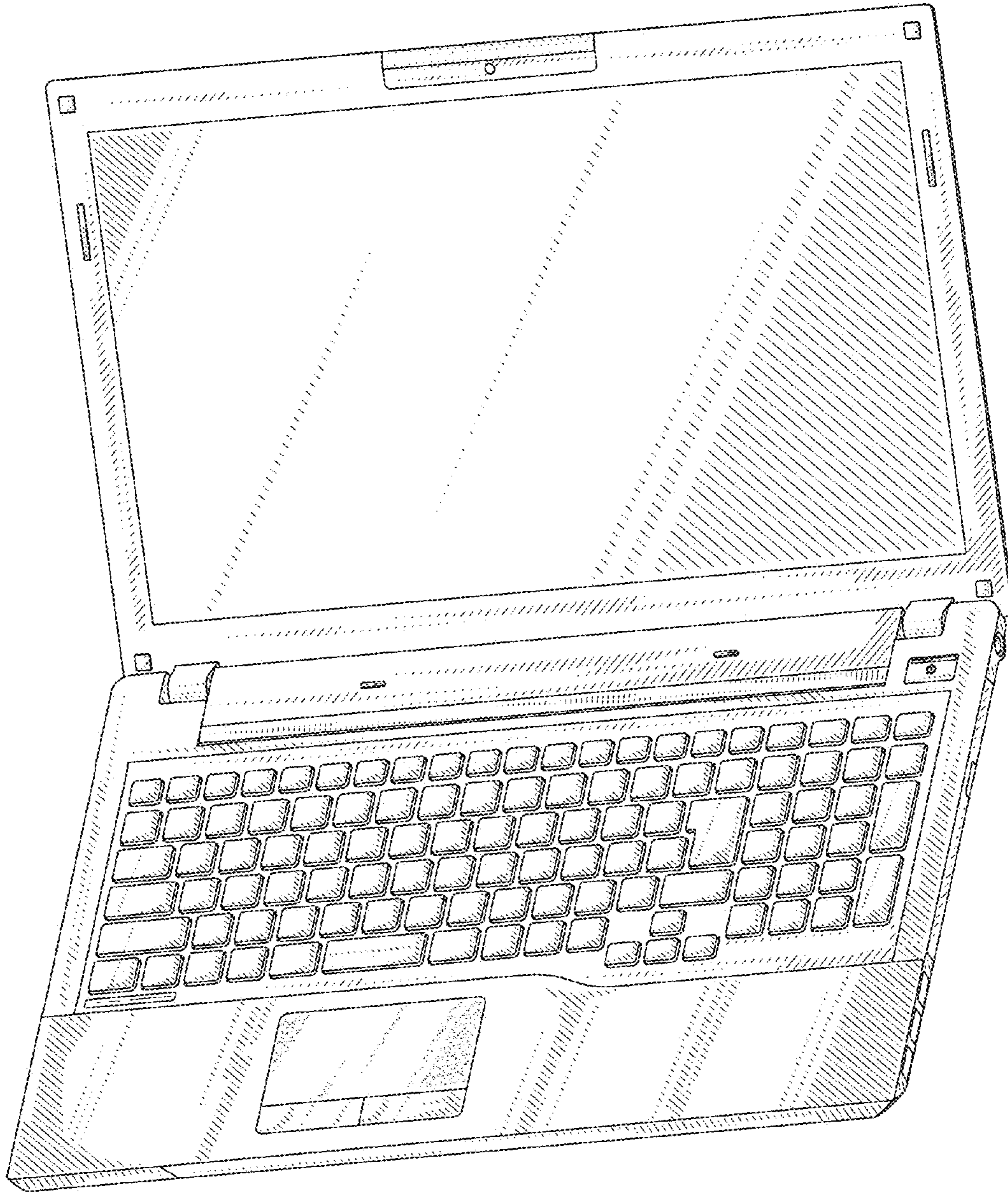


FIG. 1

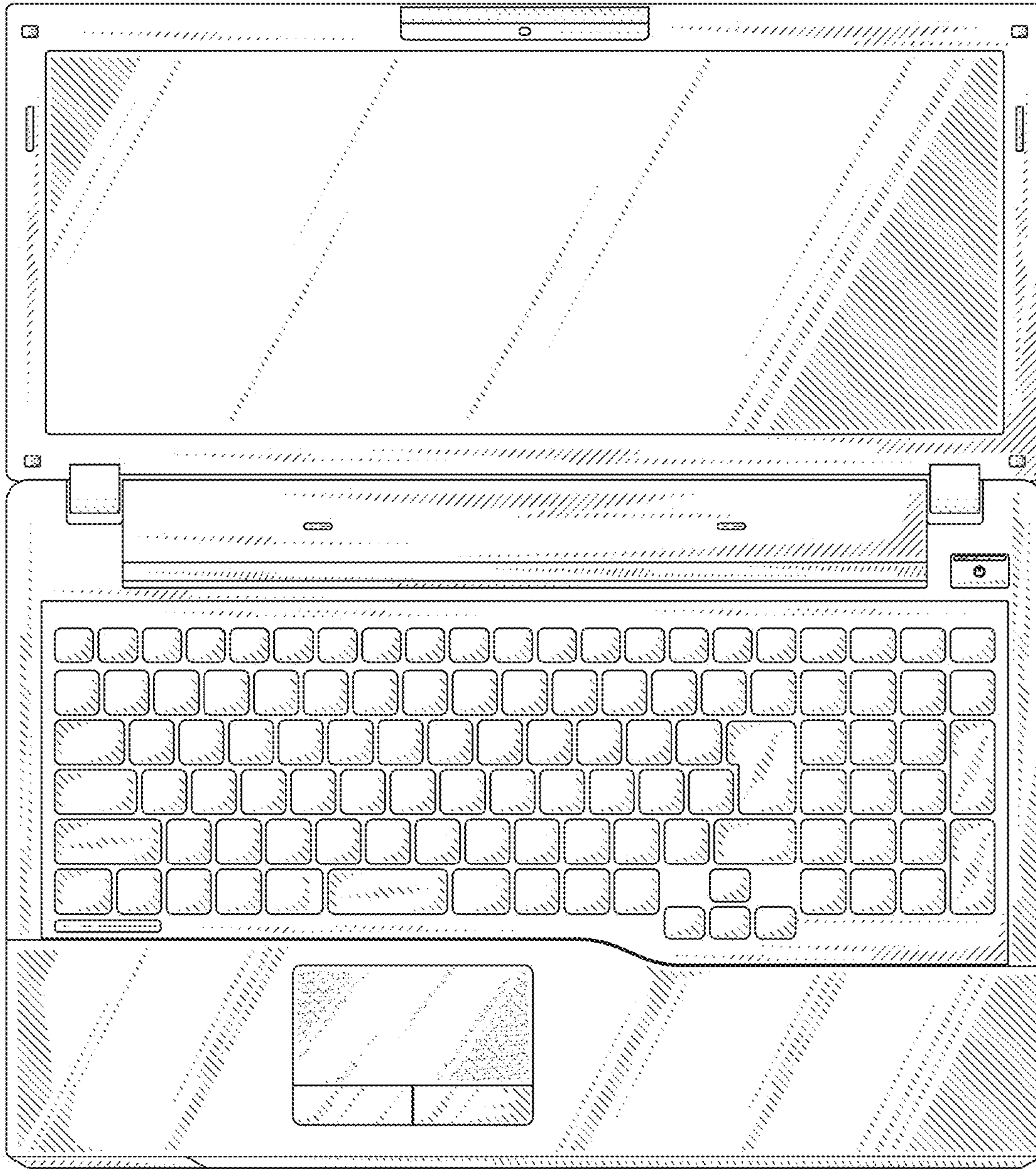


FIG. 2

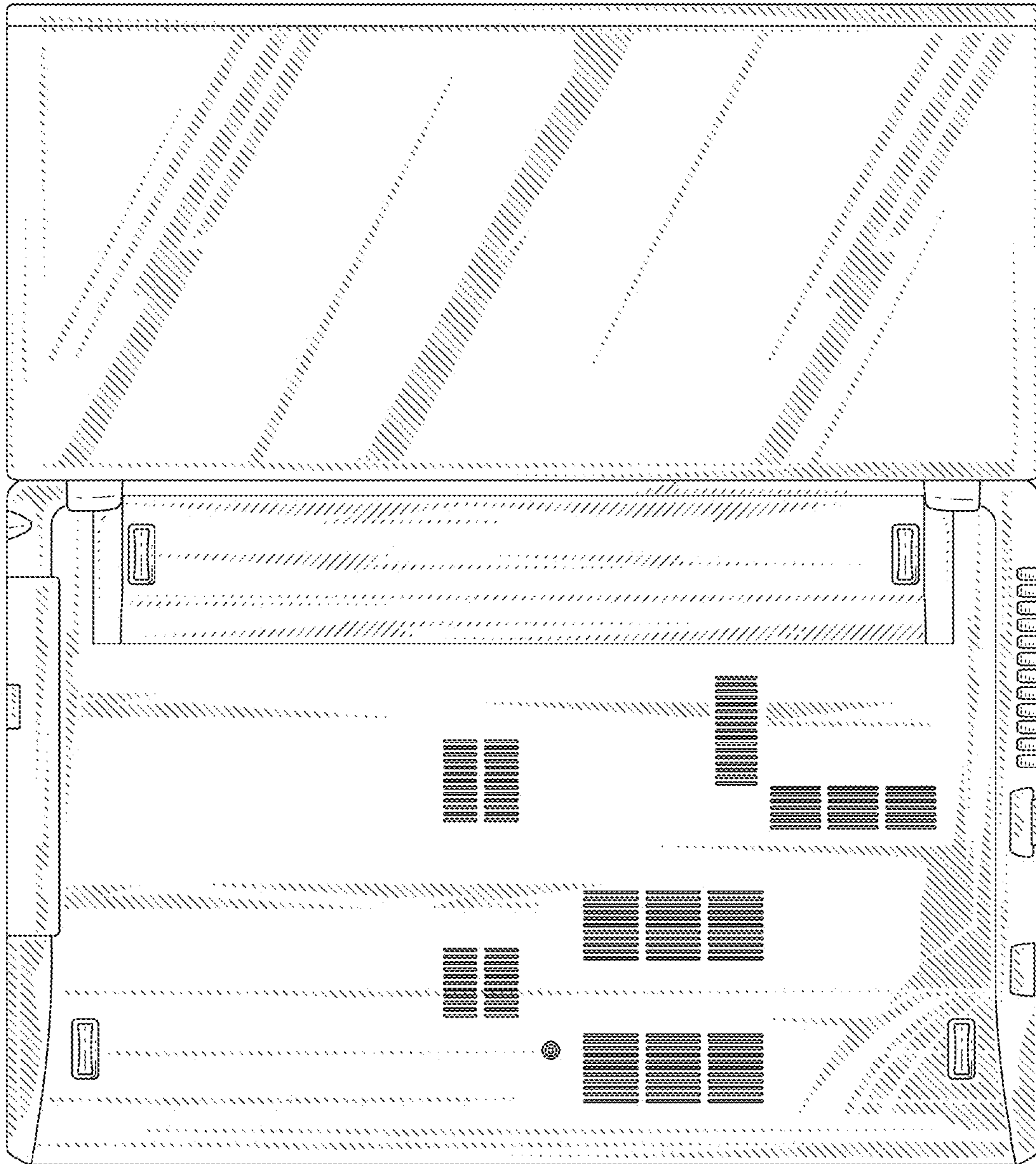


FIG. 3

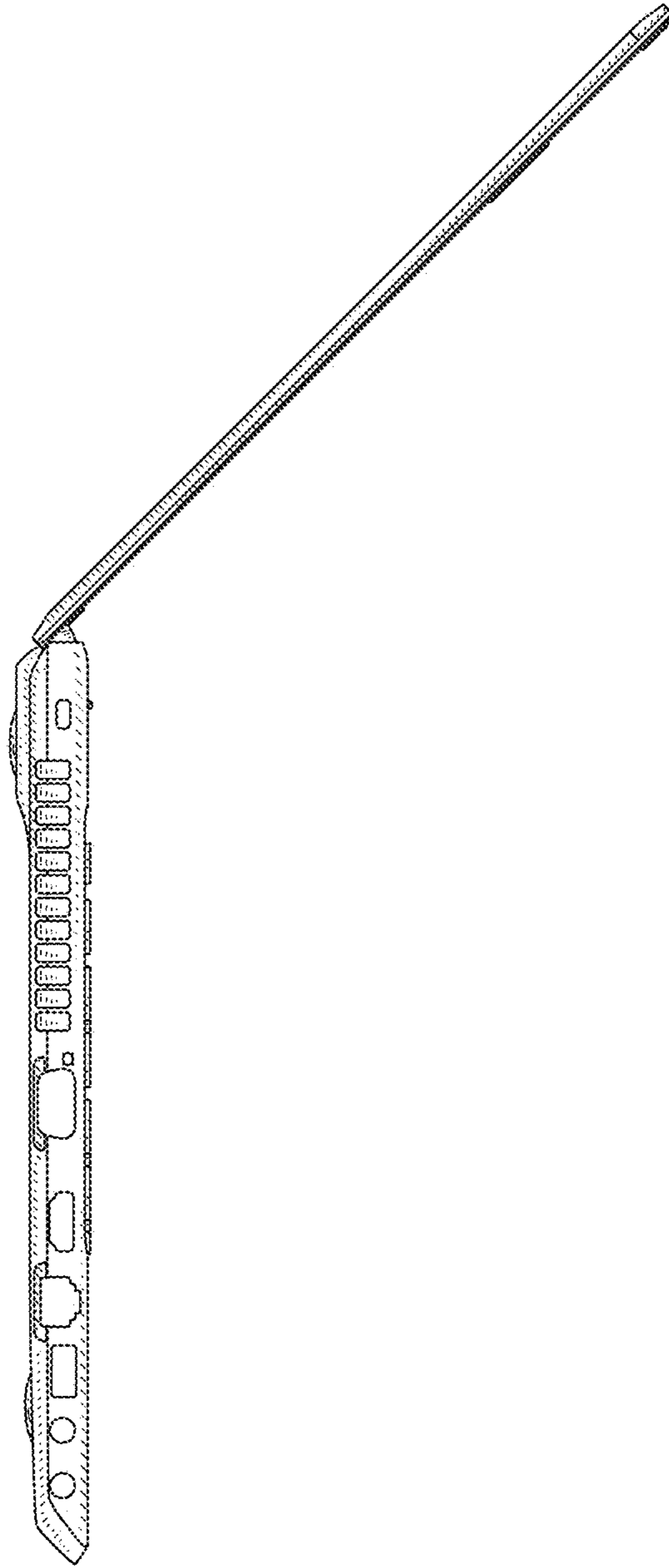


FIG. 4

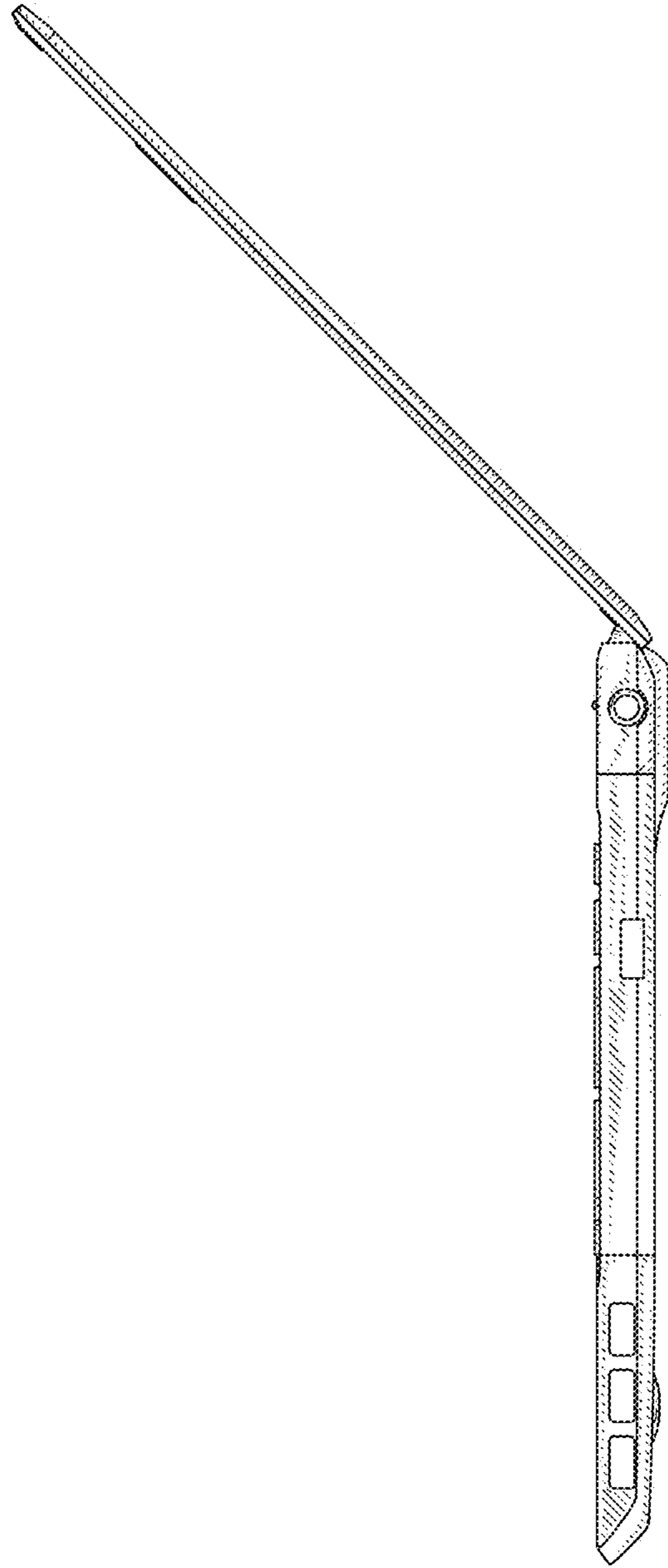


FIG. 5

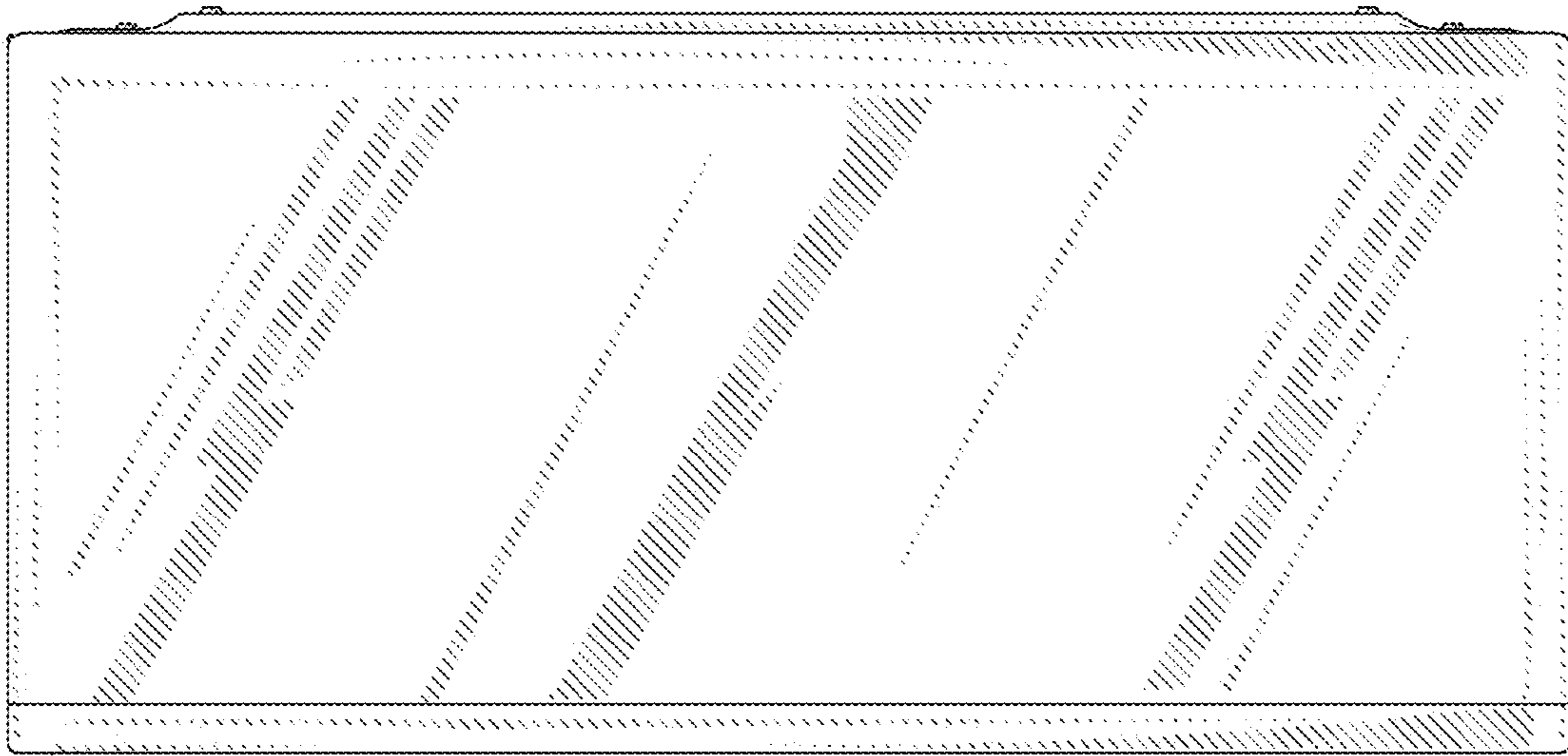


FIG. 6

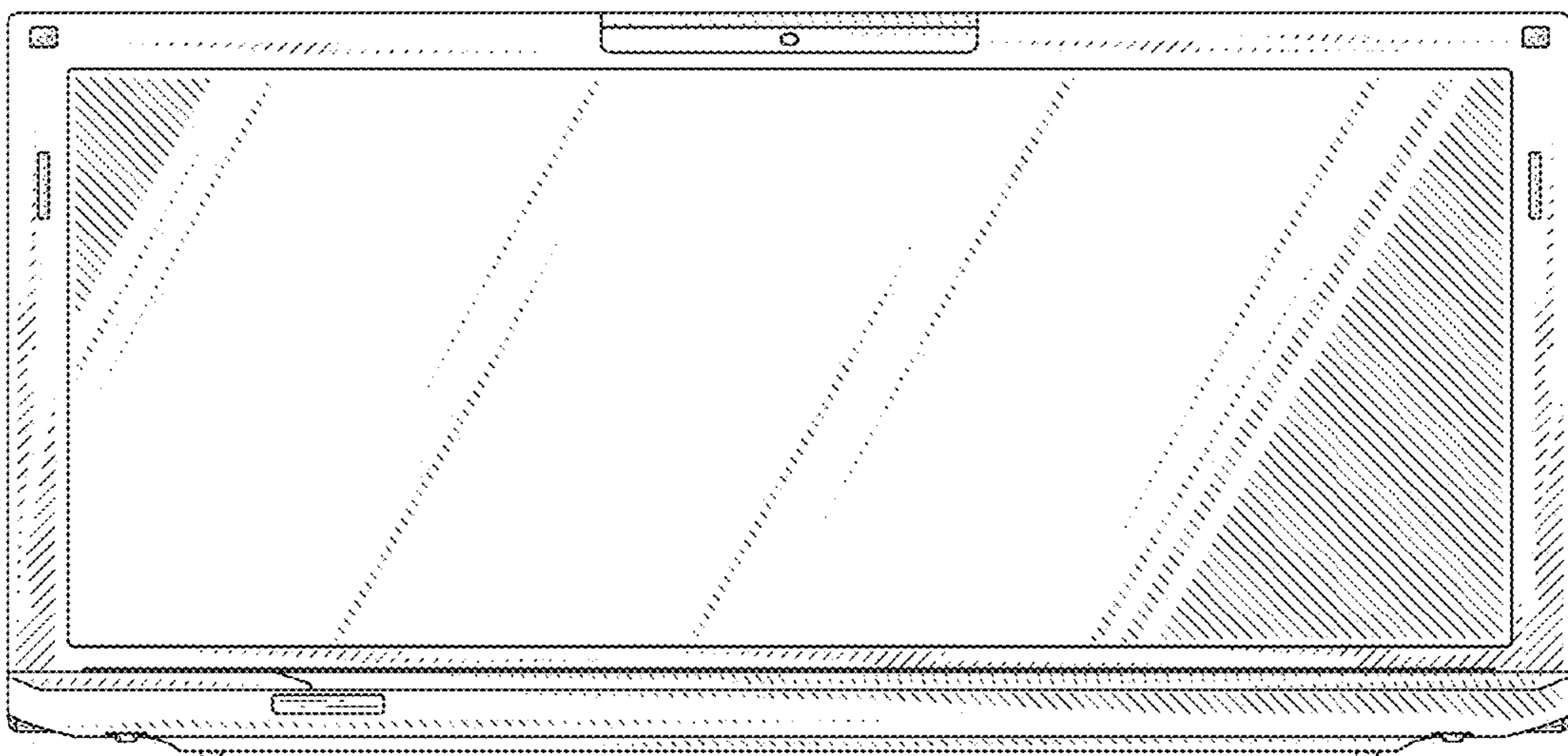


FIG. 7