



US00D683727S

(12) **United States Design Patent**
Xia et al.

(10) **Patent No.:** **US D683,727 S**
(45) **Date of Patent:** **** Jun. 4, 2013**

(54) **COMPUTER TERMINAL**

Primary Examiner — Freda S Nunn

(75) Inventors: **Lei Xia**, Beijing (CN); **Ruben D Castano**, Glenview, IL (US); **Wei-Wei Chen**, Beijing (CN); **Fu-Yuan Hsu**, Beijing (CN)

(57) **CLAIM**
The ornamental design for a computer terminal, as shown and described.

(73) Assignee: **Motorola Mobility LLC**, Libertyville, IL (US)

DESCRIPTION

(**) Term: **14 Years**

(21) Appl. No.: **29/412,758**

(22) Filed: **Feb. 7, 2012**

(51) **LOC (9) Cl.** **14-02**

(52) **U.S. Cl.**
USPC **D14/315**

(58) **Field of Classification Search**
USPC D14/315-327, 434; D18/1, 2, 7, D18/11; 235/145 A, 145 R; 341/22, 23; 345/156, 157, 168, 169, 173; 361/679.4, 361/679.09, 679.26, 679.27; 348/373; 715/783; 710/1-5, 113, 303

See application file for complete search history.

FIG. 1 is a front perspective view of a first embodiment of a computer terminal;
FIG. 2 is a rear perspective view thereof;
FIG. 3 is a front view thereof;
FIG. 4 is a rear view thereof;
FIG. 5 is a first side view thereof;
FIG. 6 is a second side view thereof;
FIG. 7 is a top view thereof;
FIG. 8 is a bottom view thereof;
FIG. 9 is a front perspective view of a second embodiment of a computer terminal shown in an opened position;
FIG. 10 is a rear perspective view thereof;
FIG. 11 is a front view thereof;
FIG. 12 is a rear view thereof;
FIG. 13 is a first side view thereof;
FIG. 14 is a second side view thereof;
FIG. 15 is a top view thereof; and,
FIG. 16 is a bottom view thereof.

The broken lines shown in FIGS. 1-16 that are immediately adjacent to the shaded areas, and define unshaded regions, represent the bounds of the claimed design while all other broken lines are directed to environment only and form no part of the claimed design.

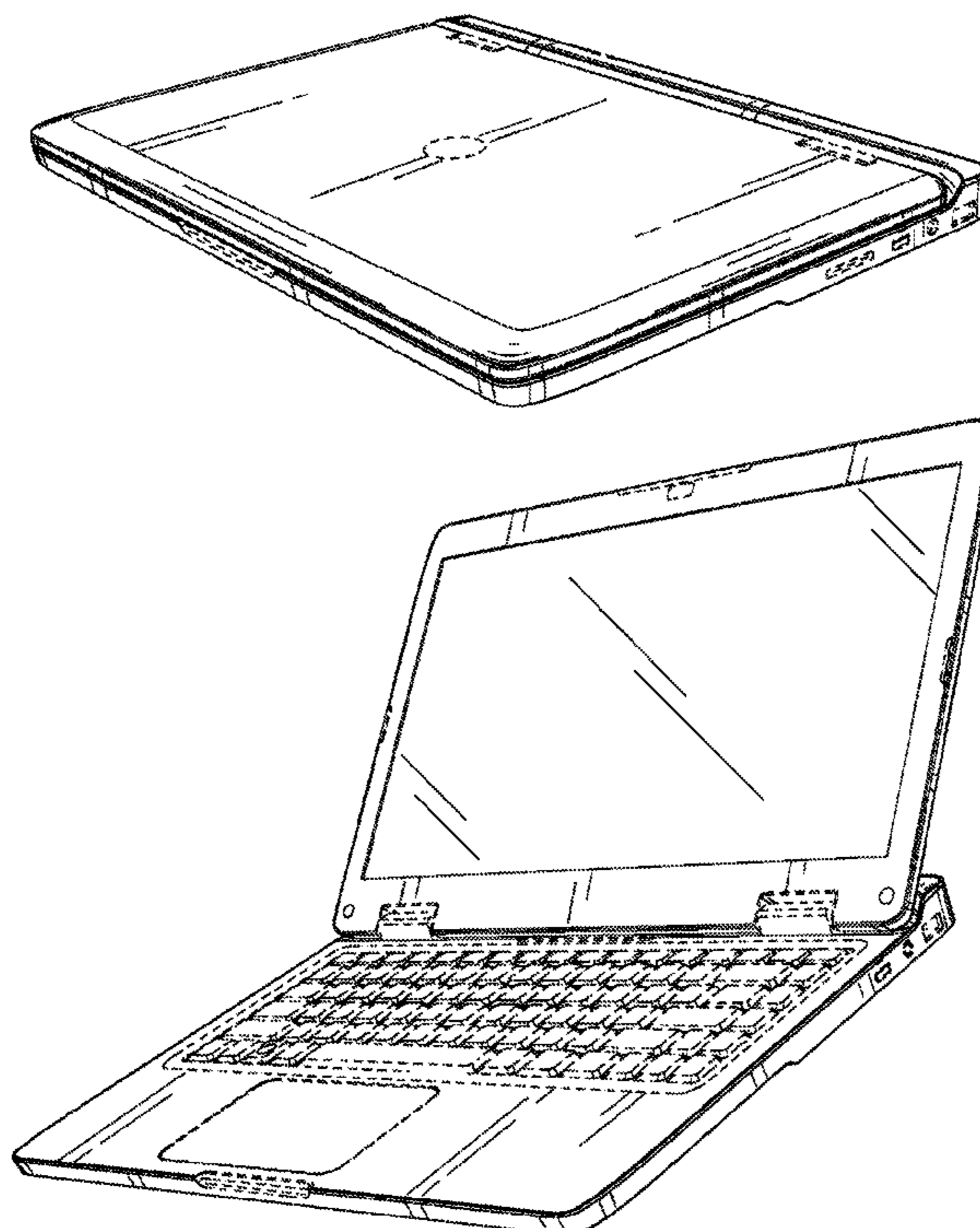
(56) **References Cited**

U.S. PATENT DOCUMENTS

D479,840 S *	9/2003	Lu	D14/318
D485,263 S *	1/2004	Kamegi	D14/320
2005/0018396 A1 *	1/2005	Nakajima et al.	361/683
2005/0041378 A1 *	2/2005	Hamada et al.	361/680
2008/0304688 A1 *	12/2008	Kumar	381/370

* cited by examiner

1 Claim, 12 Drawing Sheets



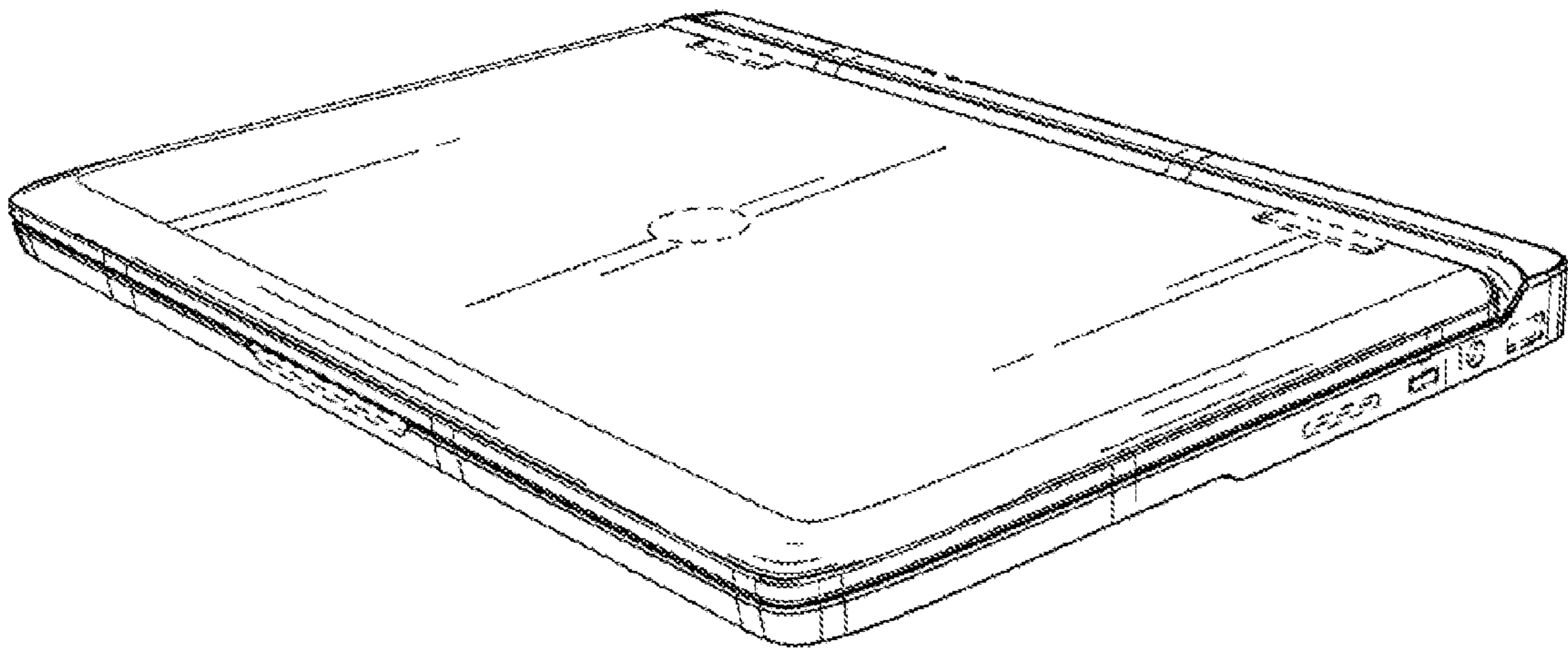


FIG. 1

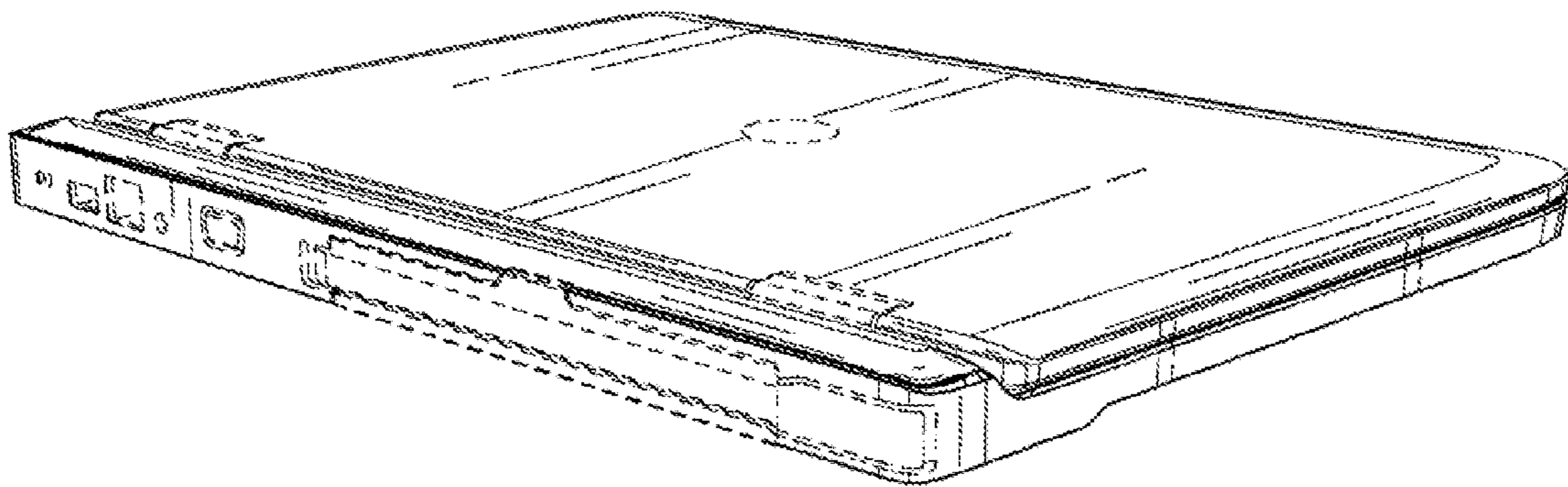


FIG. 2

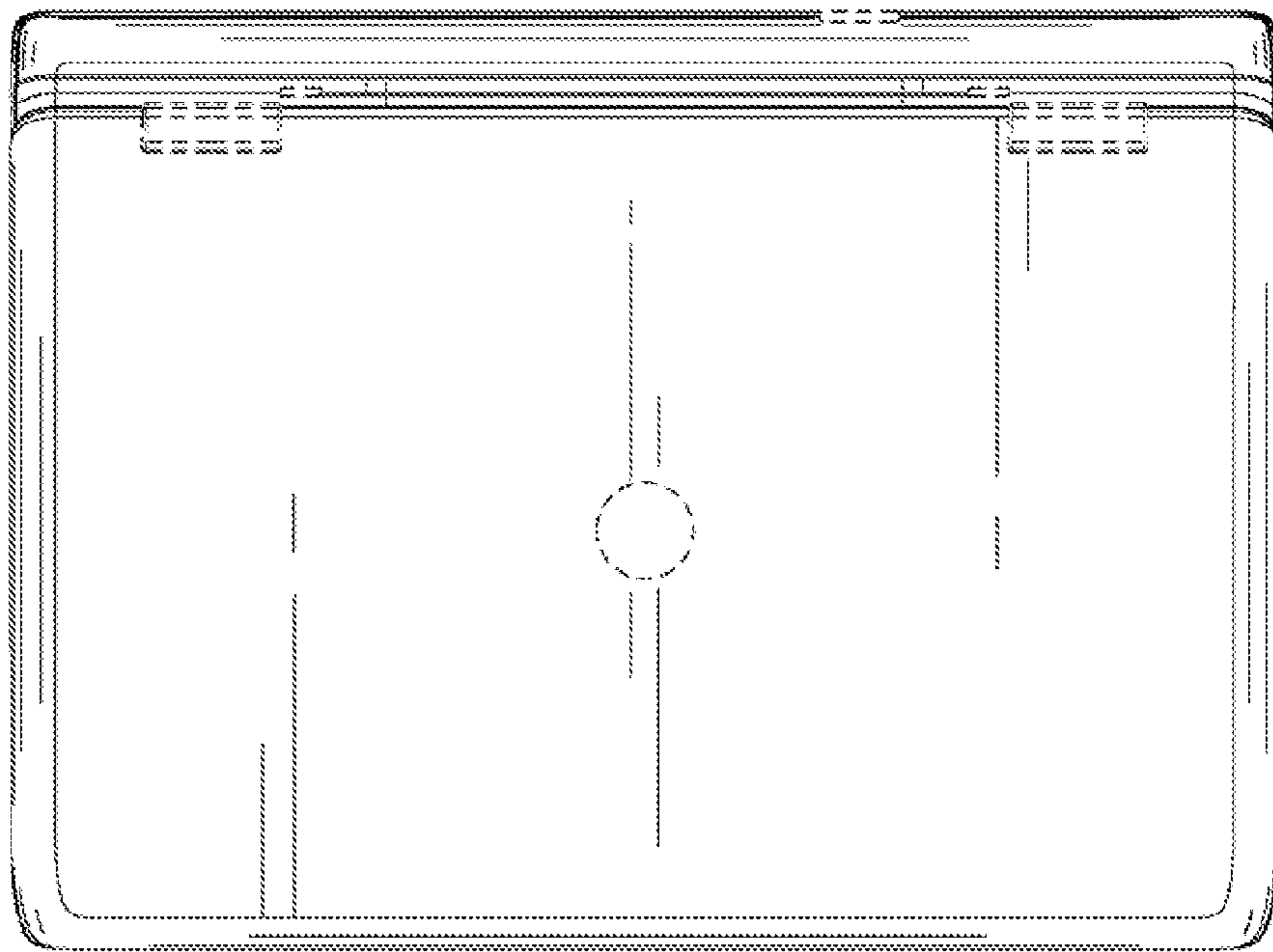


FIG. 3

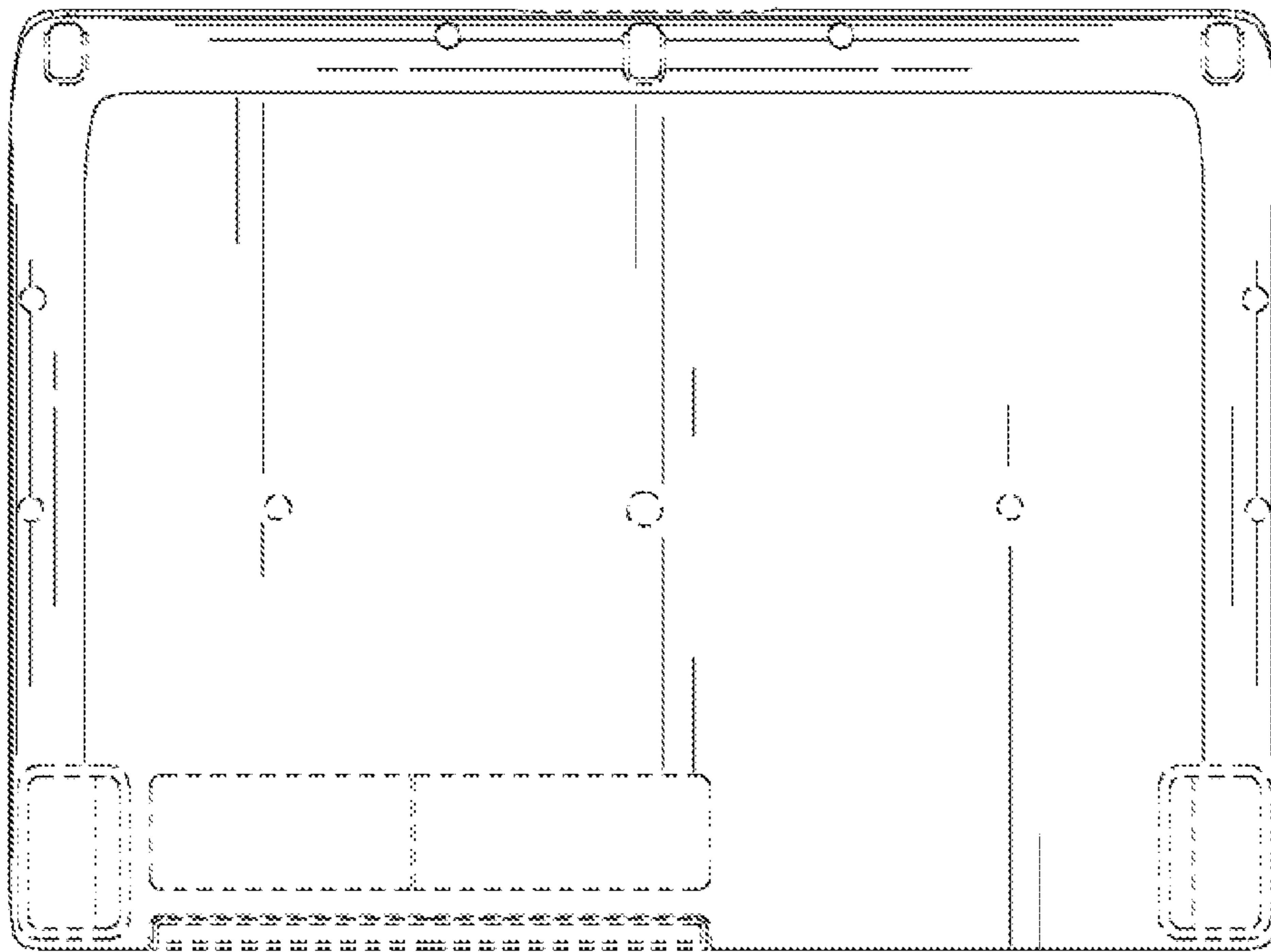


FIG. 4



FIG. 5



FIG. 6

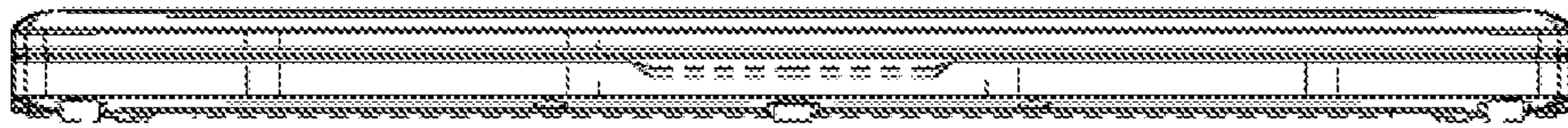


FIG. 7

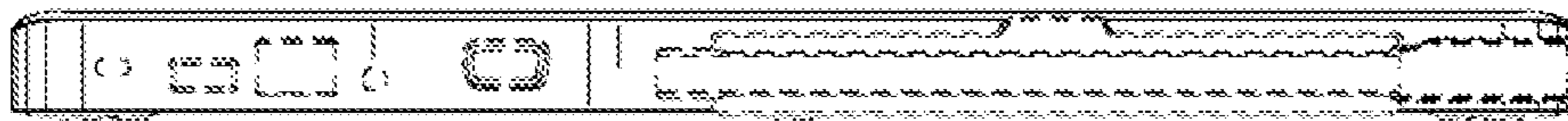


FIG. 8

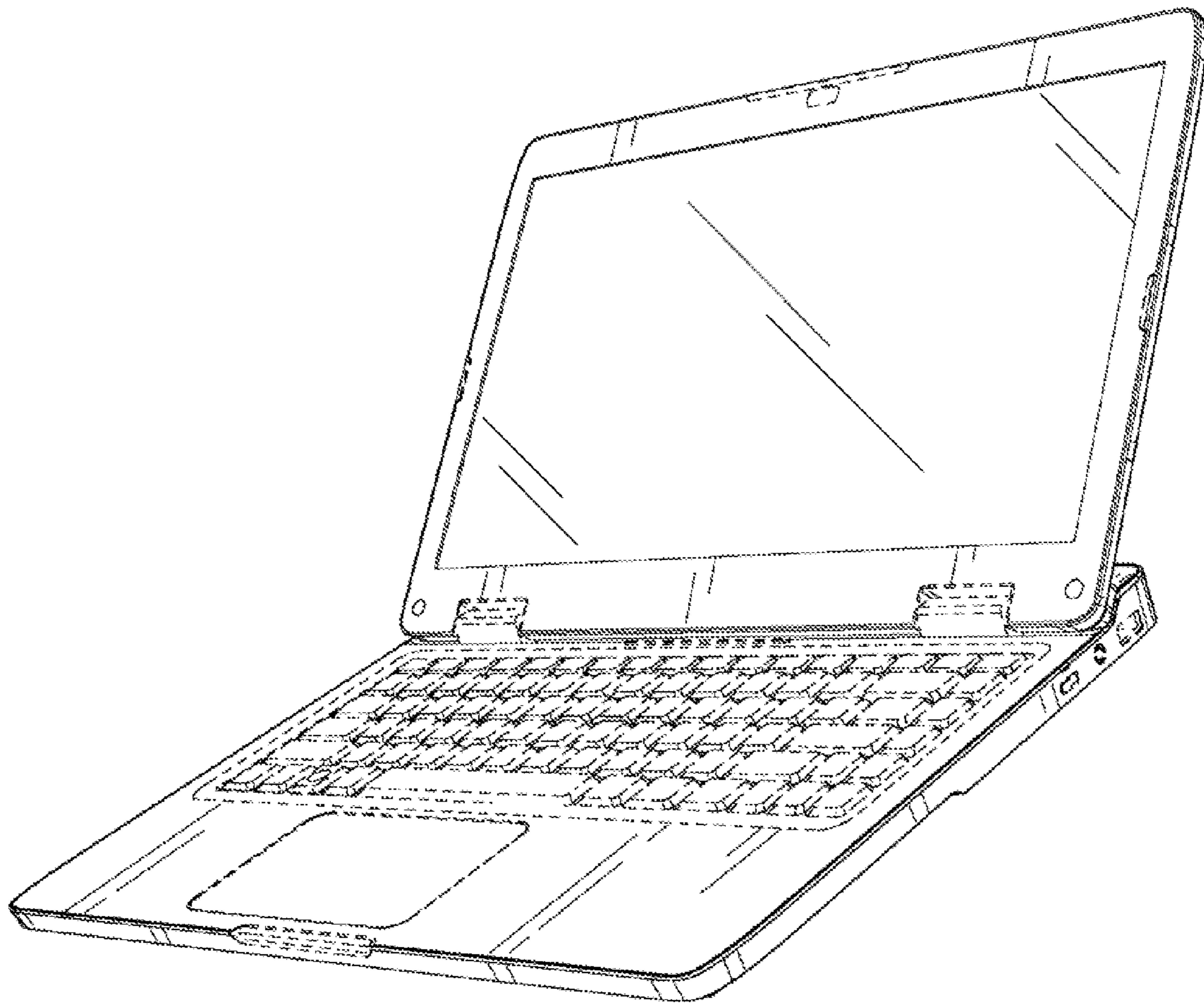


FIG. 9

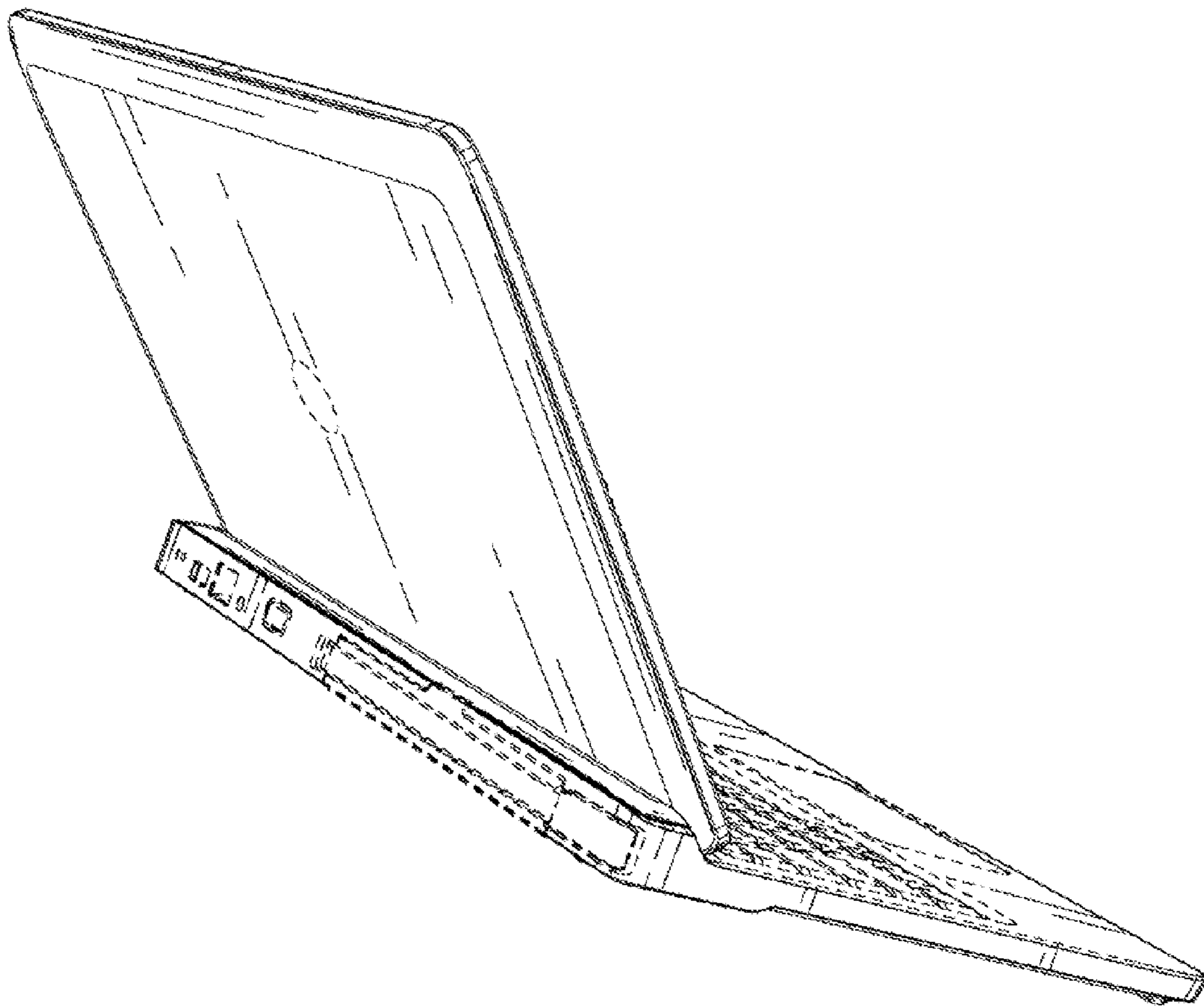


FIG. 10

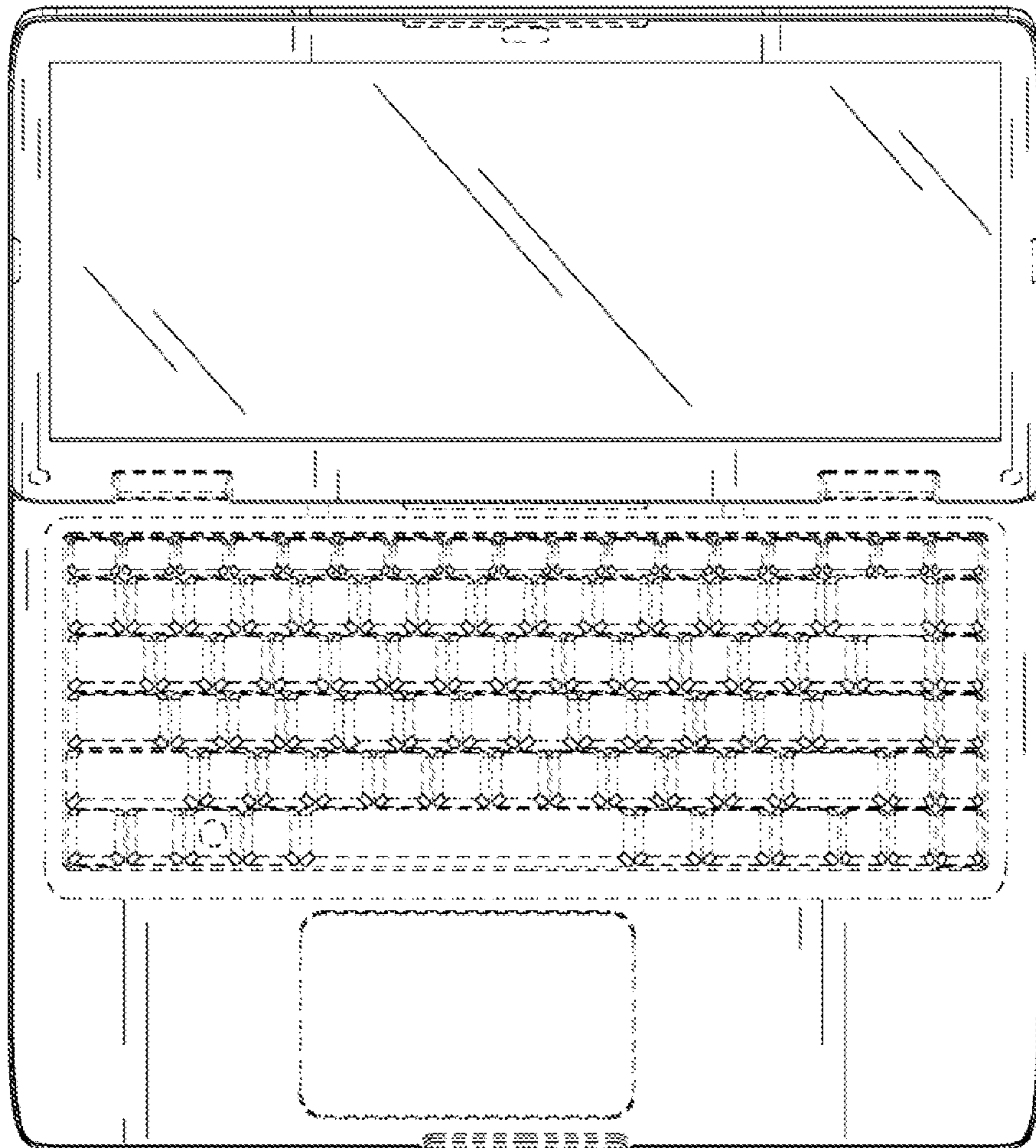


FIG. 11

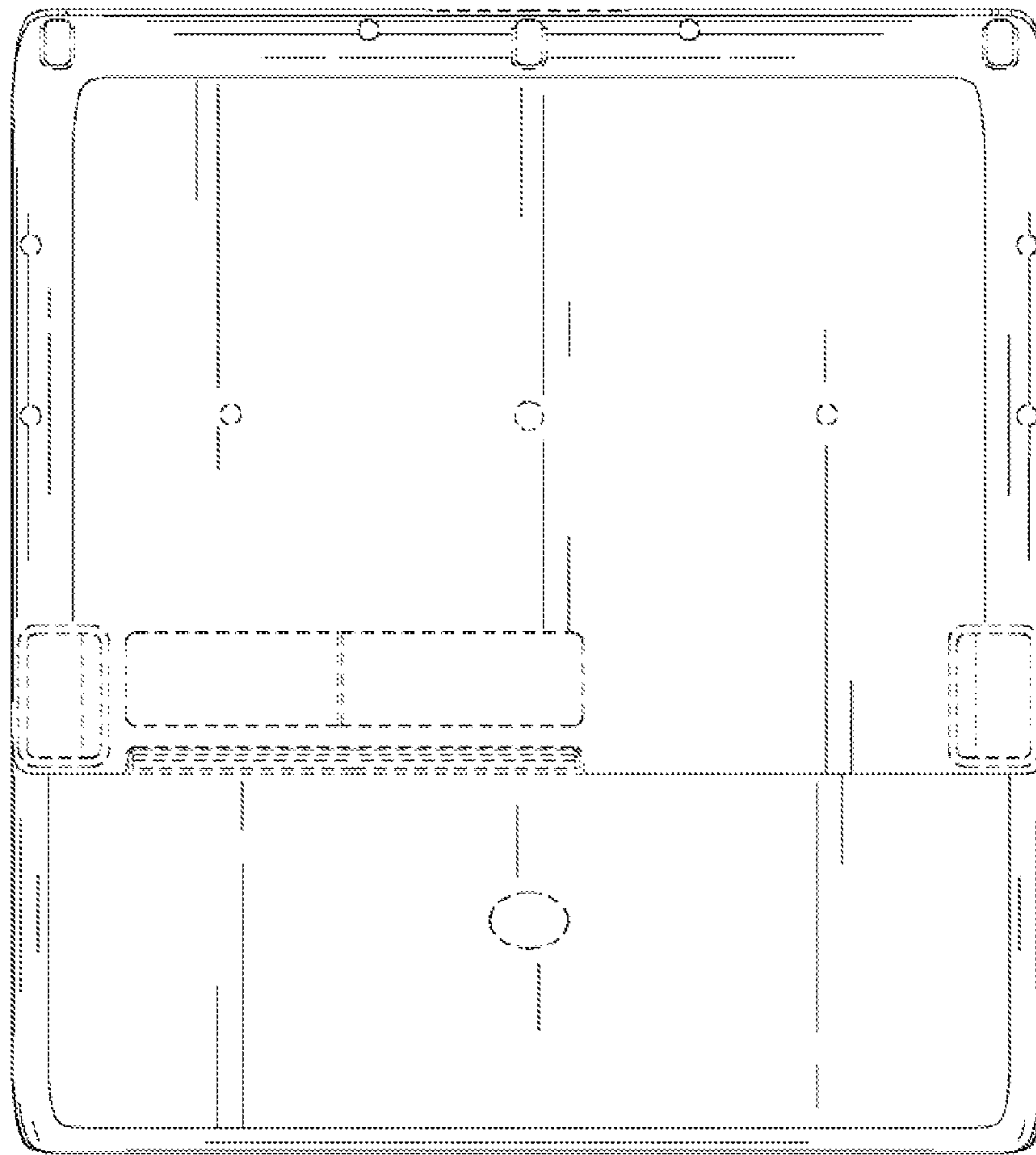


FIG. 12

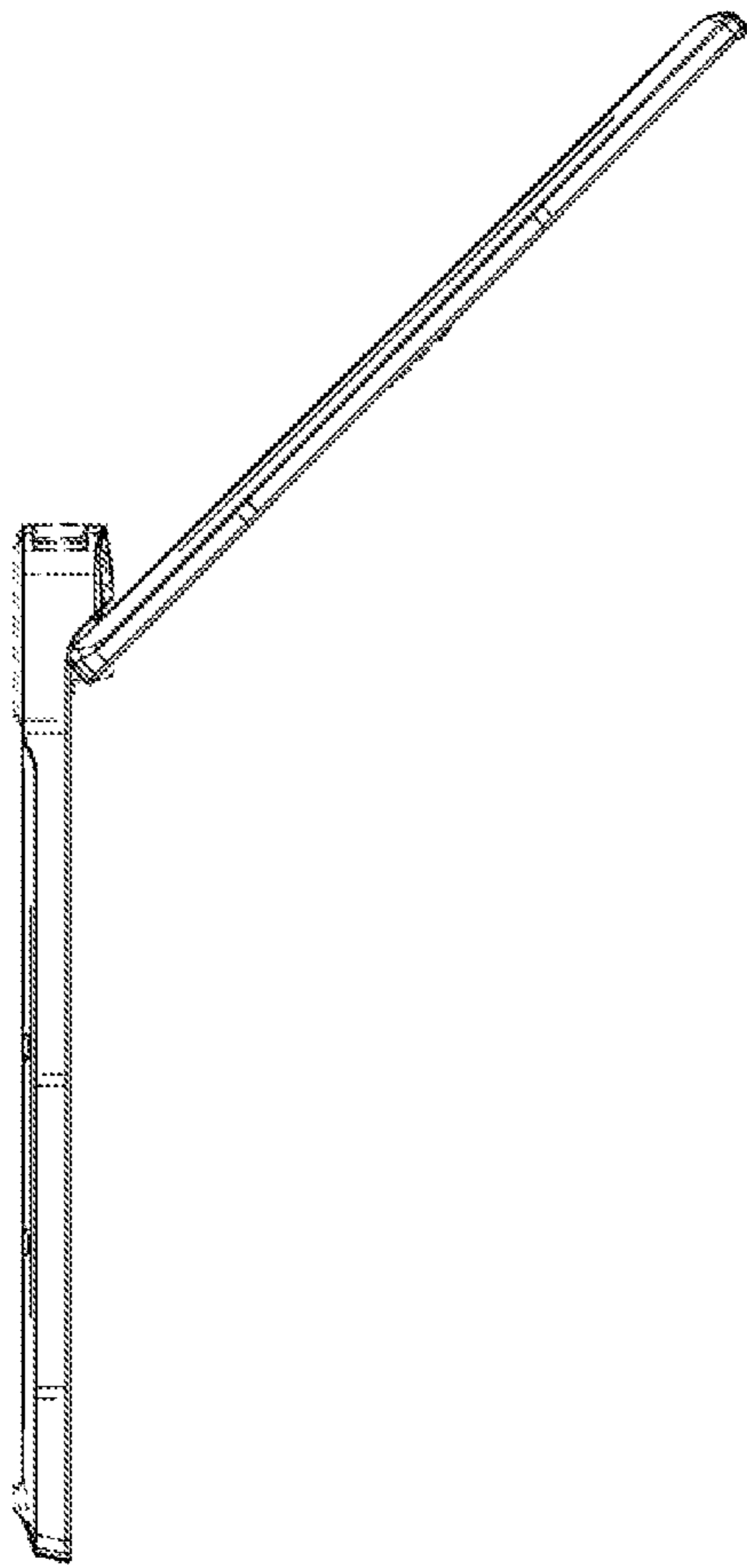


FIG. 13

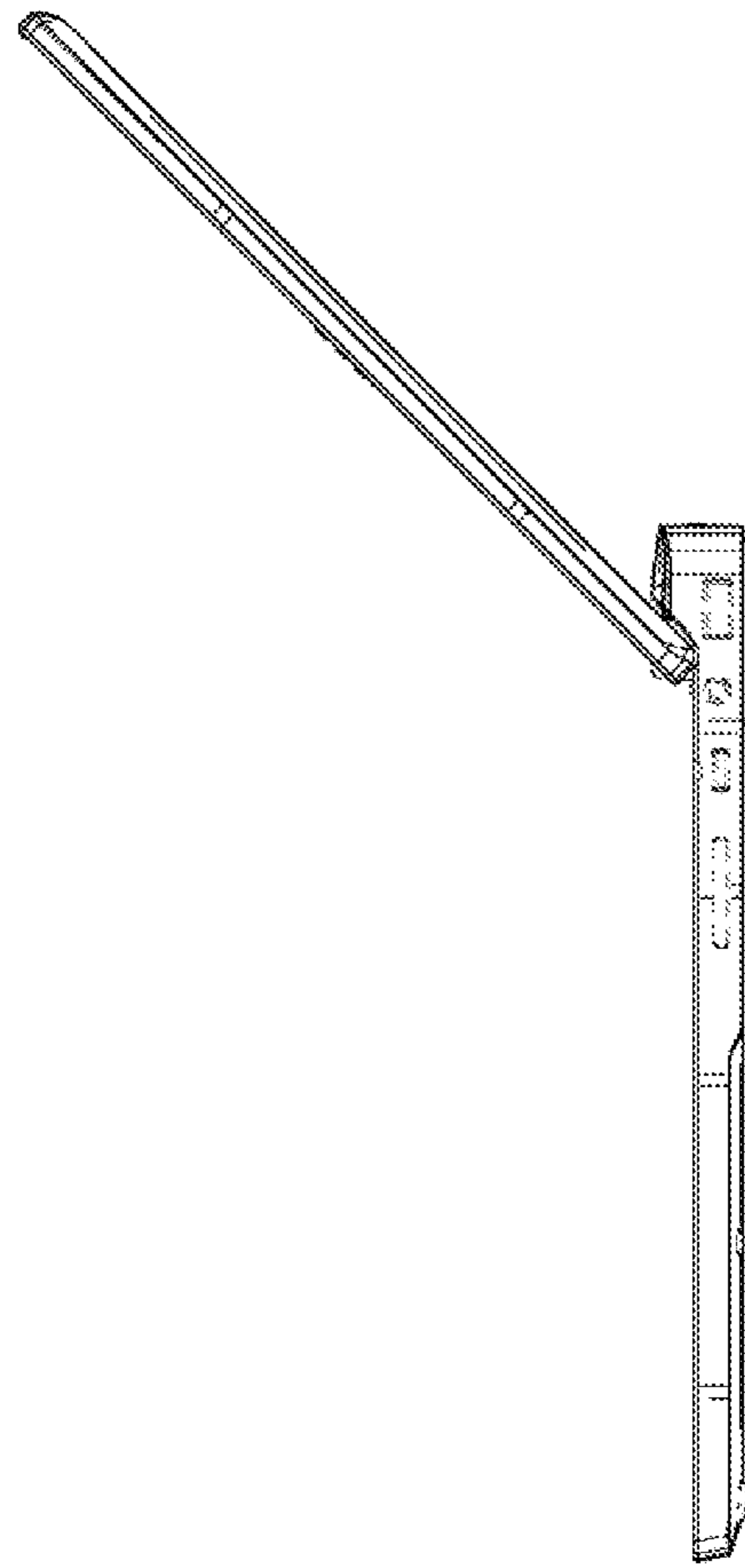


FIG. 14

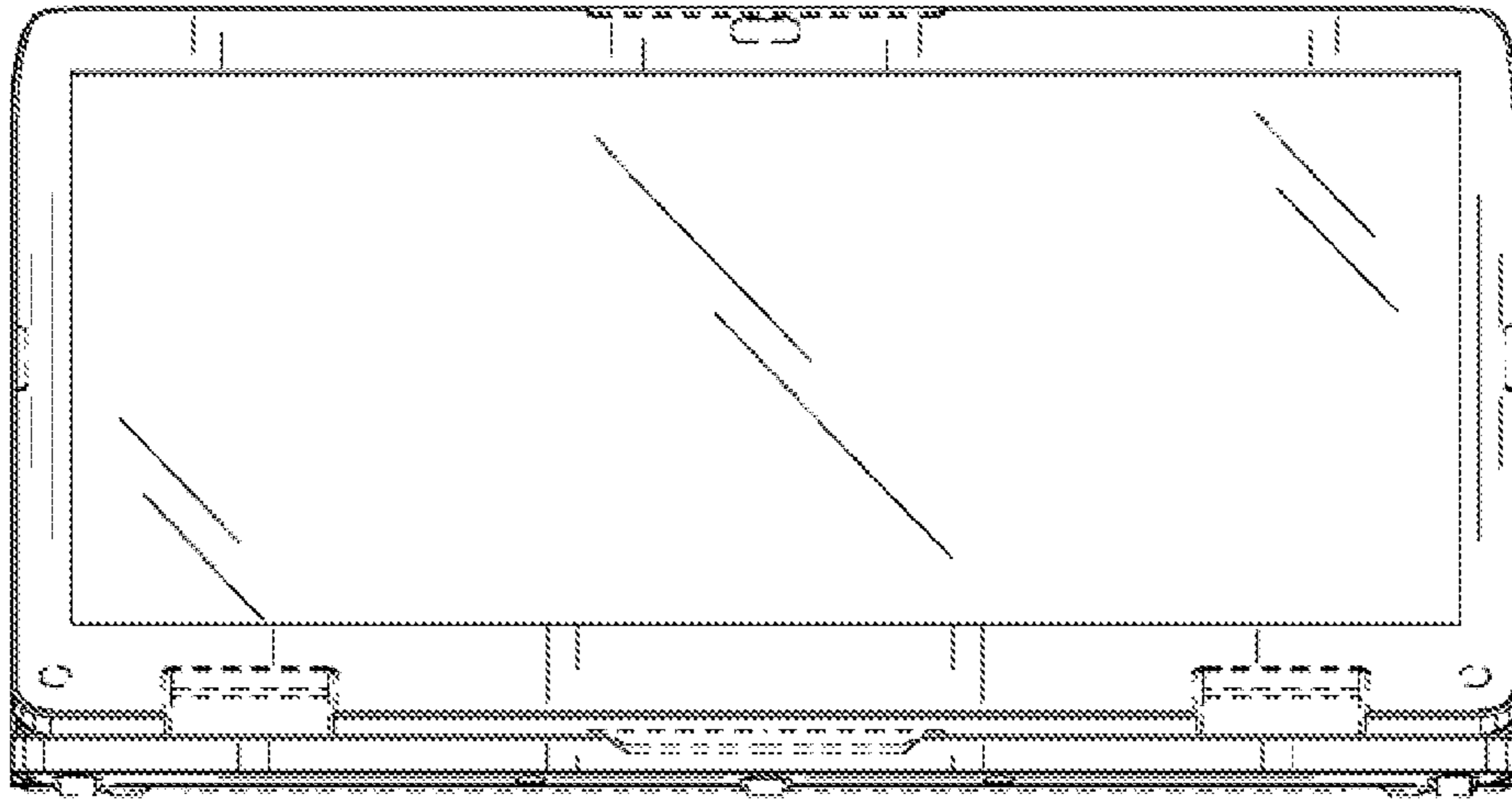


FIG. 15

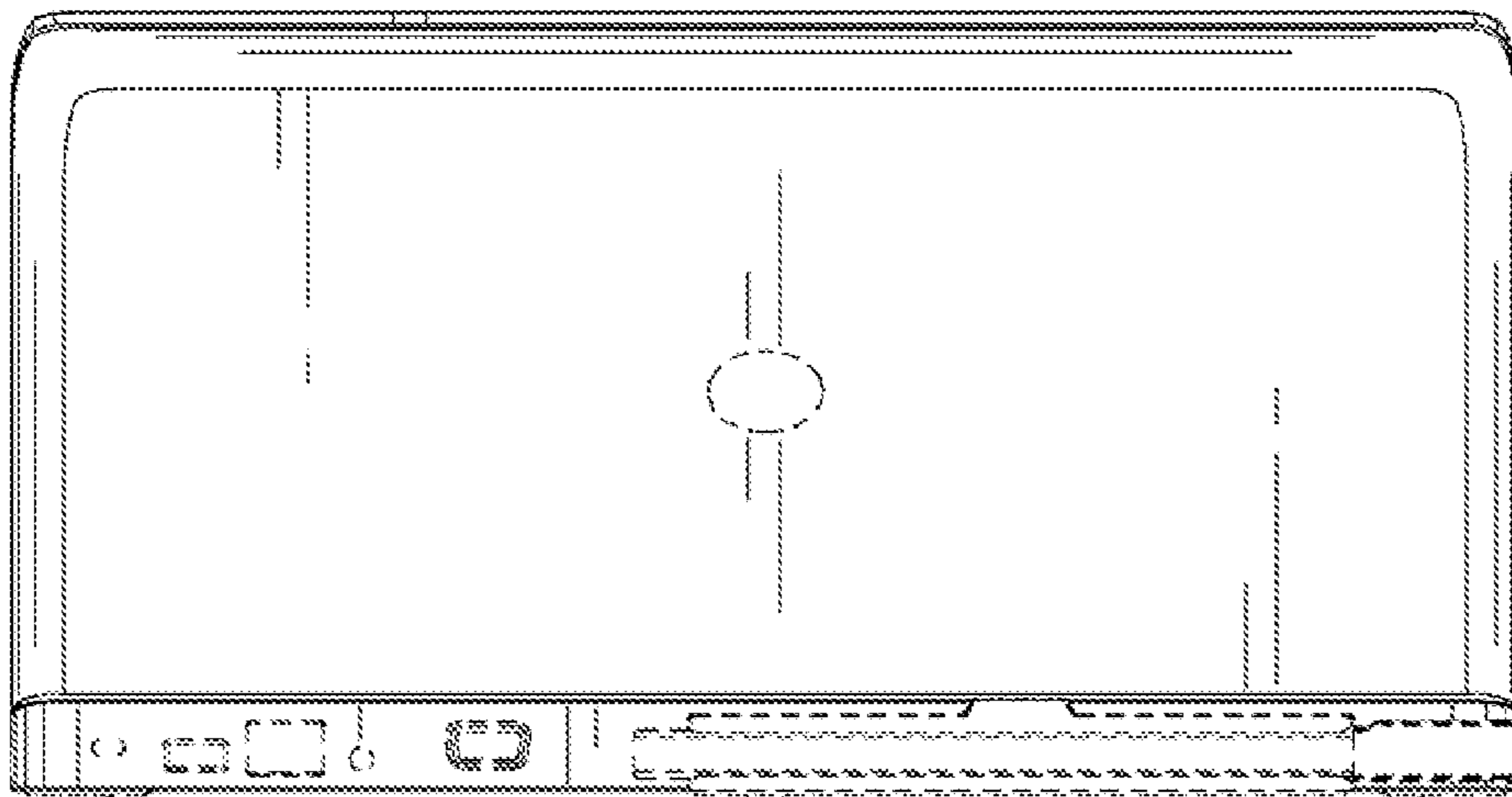


FIG. 16