



US00D683725S

(12) **United States Design Patent**  
**Ogishita et al.**

(10) **Patent No.:** **US D683,725 S**  
(45) **Date of Patent:** **\*\* Jun. 4, 2013**

(54) **COMPUTER**

(75) Inventors: **Naoki Ogishita**, Tokyo (JP); **Soichi Tanaka**, Tokyo (JP)

(73) Assignee: **Sony Corporation**, Tokyo (JP)

(\*\*) **Term:** **14 Years**

(21) Appl. No.: **29/371,895**

(22) Filed: **Jan. 6, 2012**

**Related U.S. Application Data**

(63) Continuation-in-part of application No. 29/371,046, filed on Sep. 30, 2010, now Pat. No. Des. 660,836.

(30) **Foreign Application Priority Data**

- Apr. 1, 2010 (JP) ..... D2010-008366
- Apr. 1, 2010 (JP) ..... D2010-008367
- Apr. 1, 2010 (JP) ..... D2010-008368
- Apr. 1, 2010 (JP) ..... D2010-008369
- Apr. 1, 2010 (JP) ..... D2010-008370
- Apr. 1, 2010 (JP) ..... D2010-008371
- Apr. 1, 2010 (JP) ..... D2010-008372
- Apr. 1, 2010 (JP) ..... D2010-008373
- Apr. 28, 2010 (JP) ..... D2010-010647
- May 6, 2010 (JP) ..... D2010-011041

(51) **LOC (9) Cl.** ..... **14-02**

(52) **U.S. Cl.**  
USPC ..... **D14/315**

(58) **Field of Classification Search**  
USPC ... D14/315-327; D18/1, 2, 7, 11; 235/145 A, 235/145 R; 341/22, 23; 345/104, 156, 168, 345/169, 173; 361/679.08, 679.09, 679.11, 361/679.26, 679.27

See application file for complete search history.

(56) **References Cited**

**U.S. PATENT DOCUMENTS**

- 6,067,224 A \* 5/2000 Nobuchi ..... 361/679.27
- D447,740 S \* 9/2001 Johansson ..... D14/138 AA
- D452,861 S 1/2002 Ogasawara
- D466,499 S 12/2002 Nakano
- 6,519,139 B2 \* 2/2003 Kambayashi ..... 361/679.09
- D493,456 S 7/2004 Ogasawara
- D501,660 S 2/2005 Kumano
- D510,737 S 10/2005 Yokota
- D517,063 S \* 3/2006 Nakajima et al. .... D14/318
- D559,245 S \* 1/2008 Iseki et al. .... D14/318
- D559,247 S 1/2008 Kawase
- D574,382 S \* 8/2008 Tsukahara ..... D14/432
- D577,013 S \* 9/2008 Harris et al. .... D14/317
- D578,125 S \* 10/2008 Iseki ..... D14/432
- D581,410 S \* 11/2008 Kumano ..... D14/318
- D585,900 S 2/2009 Kumano
- D620,002 S \* 7/2010 Tsai et al. .... D14/315
- D624,911 S \* 10/2010 Lee et al. .... D14/315
- 2005/0018396 A1 \* 1/2005 Nakajima et al. .... 361/683
- 2005/0041378 A1 \* 2/2005 Hamada et al. .... 361/680

**FOREIGN PATENT DOCUMENTS**

JP D1368179 S 8/2009

\* cited by examiner

*Primary Examiner* — Freda S Nunn

(74) *Attorney, Agent, or Firm* — Rader, Fishman & Grauer PLLC

(57) **CLAIM**

The ornamental design for a computer, as shown and described.

**DESCRIPTION**

FIG. 1 is a front, top, right perspective view of a first embodiment of a computer showing our new design; FIG. 2 is a rear, bottom, left perspective view thereof; FIG. 3 is a front elevational view thereof; FIG. 4 is a rear elevational view thereof; FIG. 5 is a left side elevational view thereof; FIG. 6 is a right side elevational view thereof; FIG. 7 is a top plan view thereof; and FIG. 8 is a bottom plan view thereof.

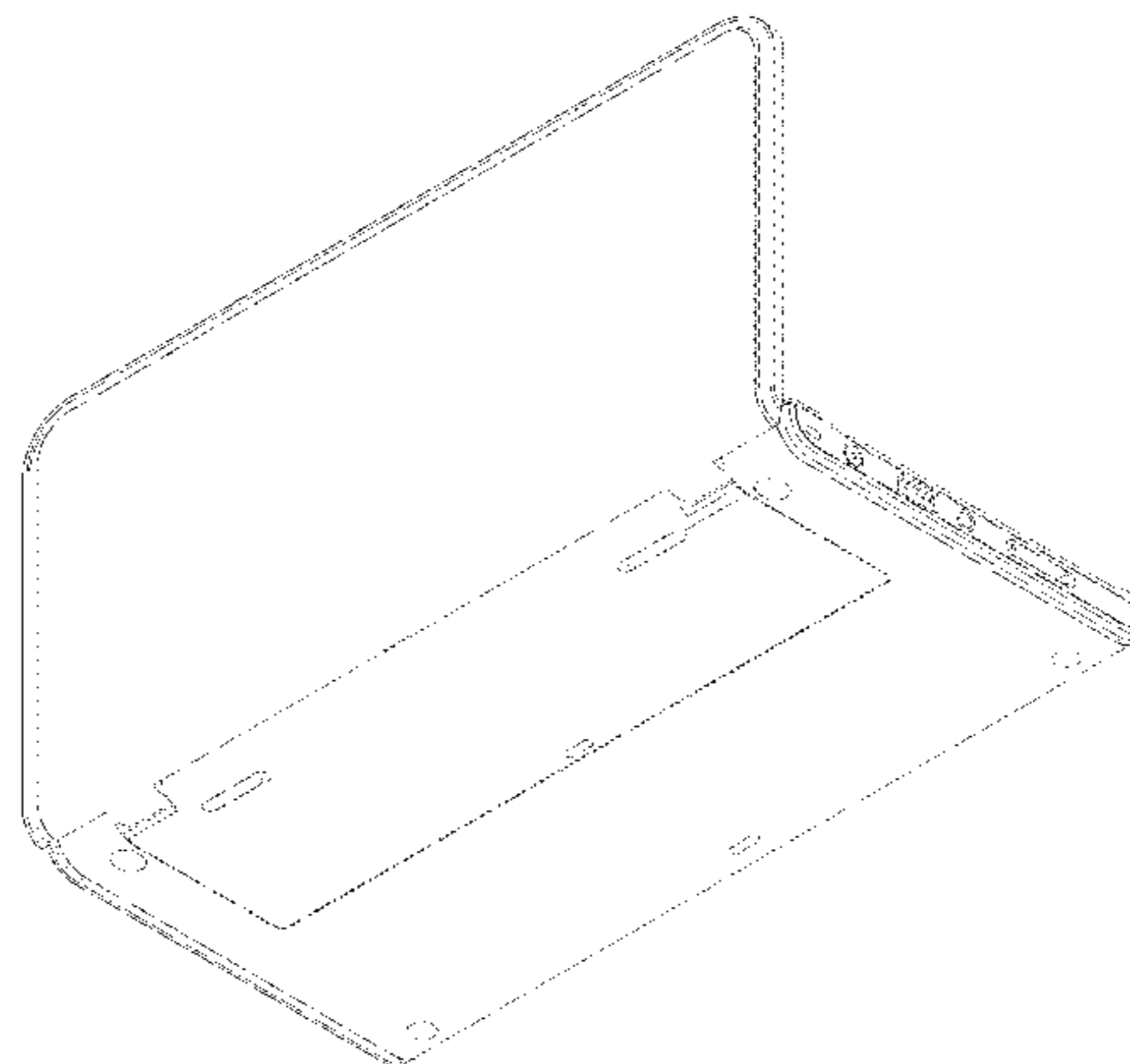
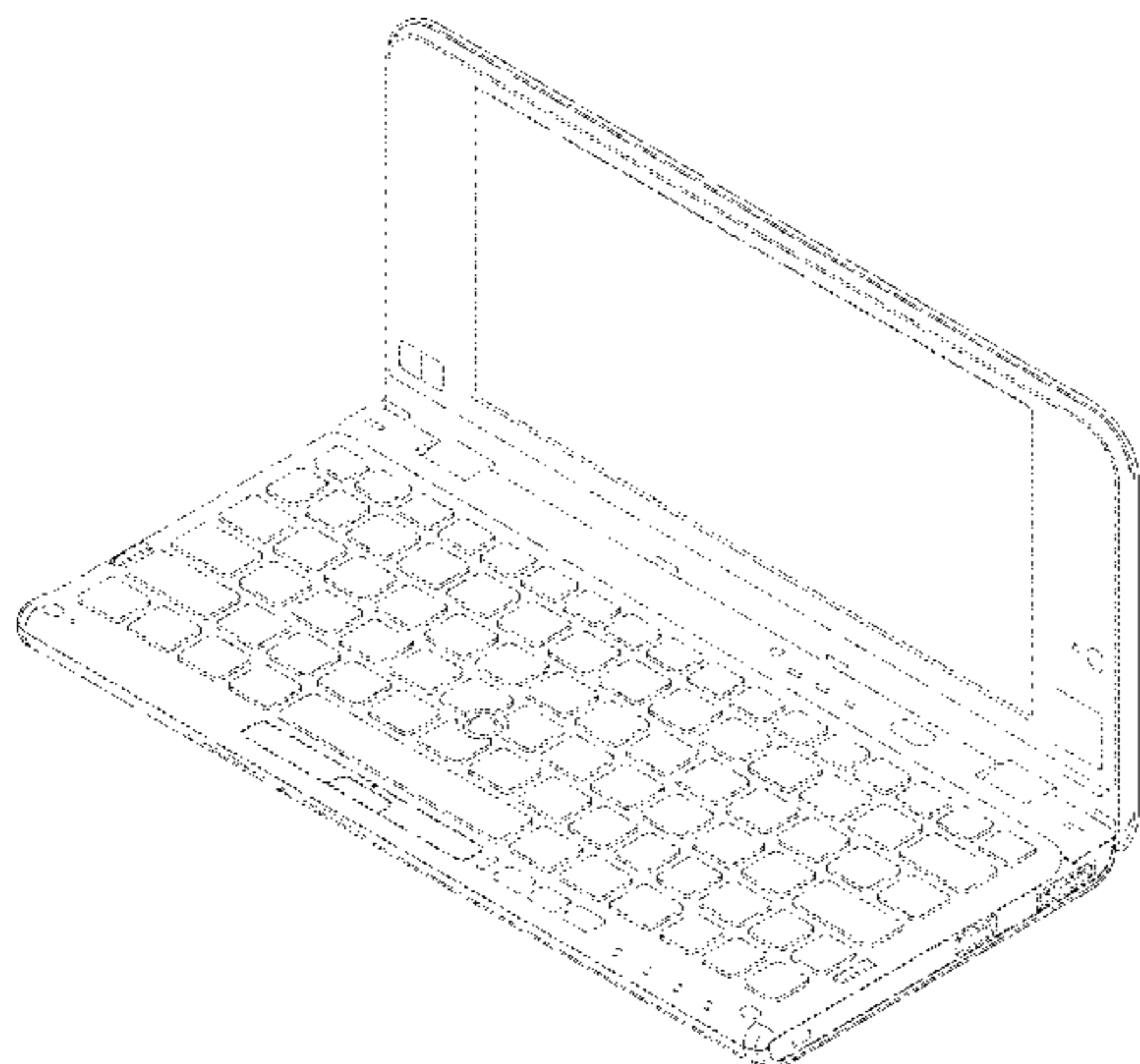


FIG. 9 is a front, top, right perspective view of the computer of FIG. 1, wherein the screen portion is in a closed position; FIG. 10 is a rear, bottom, left perspective view thereof; FIG. 11 is a front elevational view thereof; FIG. 12 is a rear elevational view thereof; FIG. 13 is a left side elevational view thereof; FIG. 14 is a right side elevational view thereof; FIG. 15 is a top plan view thereof; and FIG. 16 is a bottom plan view thereof. FIG. 17 is a front, top, right perspective view of a second embodiment of a computer showing our new design; FIG. 18 is a rear, bottom, left perspective view thereof; FIG. 19 is a front elevational view thereof; FIG. 20 is a rear elevational view thereof; FIG. 21 is a left side elevational view thereof; FIG. 22 is a right side elevational view thereof; FIG. 23 is a top plan view thereof; and FIG. 24 is a bottom plan view thereof. FIG. 25 is a front, top, right perspective view of the computer of FIG. 17, wherein the screen portion is in a closed position; FIG. 26 is a rear, bottom, left perspective view thereof; FIG. 27 is a front elevational view thereof; FIG. 28 is a rear elevational view thereof; FIG. 29 is a left side elevational view thereof; FIG. 30 is a right side elevational view thereof;

FIG. 31 is a top plan view thereof; and FIG. 32 is a bottom plan view thereof. FIG. 33 is a front, top, right perspective view of a third embodiment of a computer showing our new design; FIG. 34 is a rear, bottom, left perspective view thereof; FIG. 35 is a front elevational view thereof; FIG. 36 is a rear elevational view thereof; FIG. 37 is a left side elevational view thereof; FIG. 38 is a right side elevational view thereof; FIG. 39 is a top plan view thereof; and FIG. 40 is a bottom plan view thereof. FIG. 41 is a front, top, right perspective view of the computer of FIG. 33, wherein the screen portion is in a closed position; FIG. 42 is a rear, bottom, left perspective view thereof; FIG. 43 is a front elevational view thereof; FIG. 44 is a rear elevational view thereof; FIG. 45 is a left side elevational view thereof; FIG. 46 is a right side elevational view thereof; FIG. 47 is a top plan view thereof; and, FIG. 48 is a bottom plan view thereof. Portions in broken lines are for illustrative purposes only and form no part of the claimed design. Dot-dash lines define the boundaries of, but not included in, the claimed design.

**1 Claim, 35 Drawing Sheets**

FIG. 1

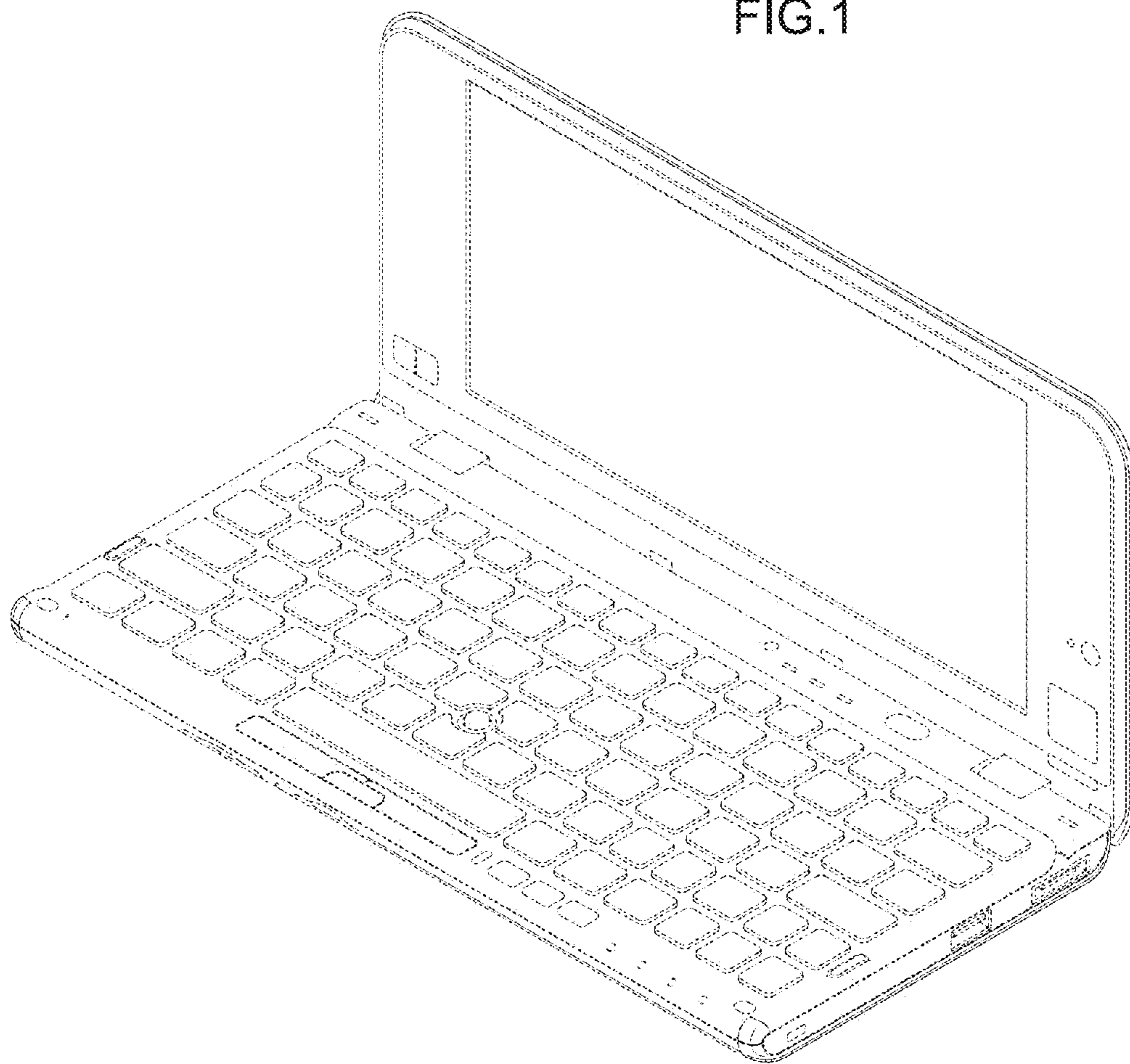


FIG.2

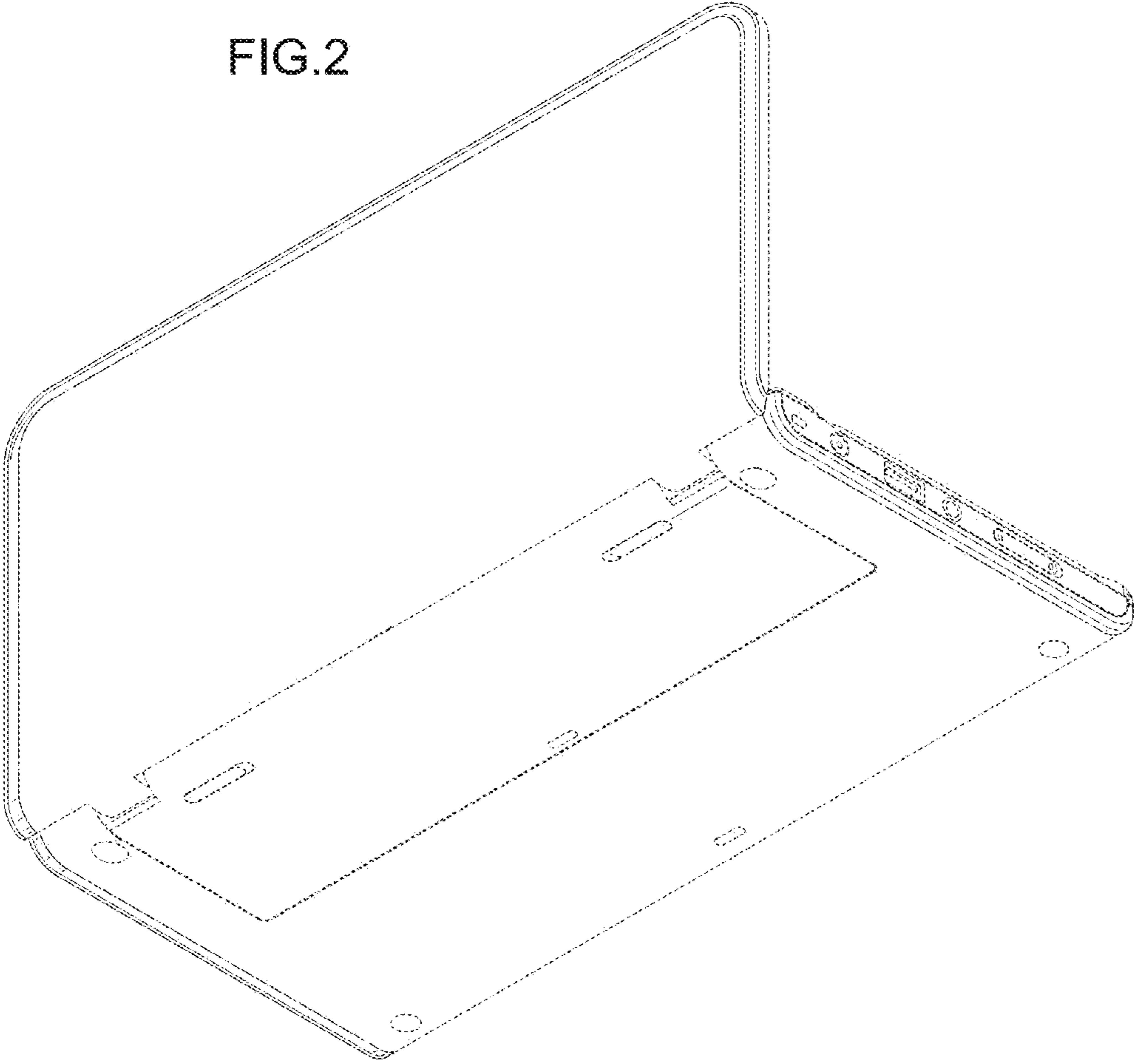


FIG.3



FIG.4

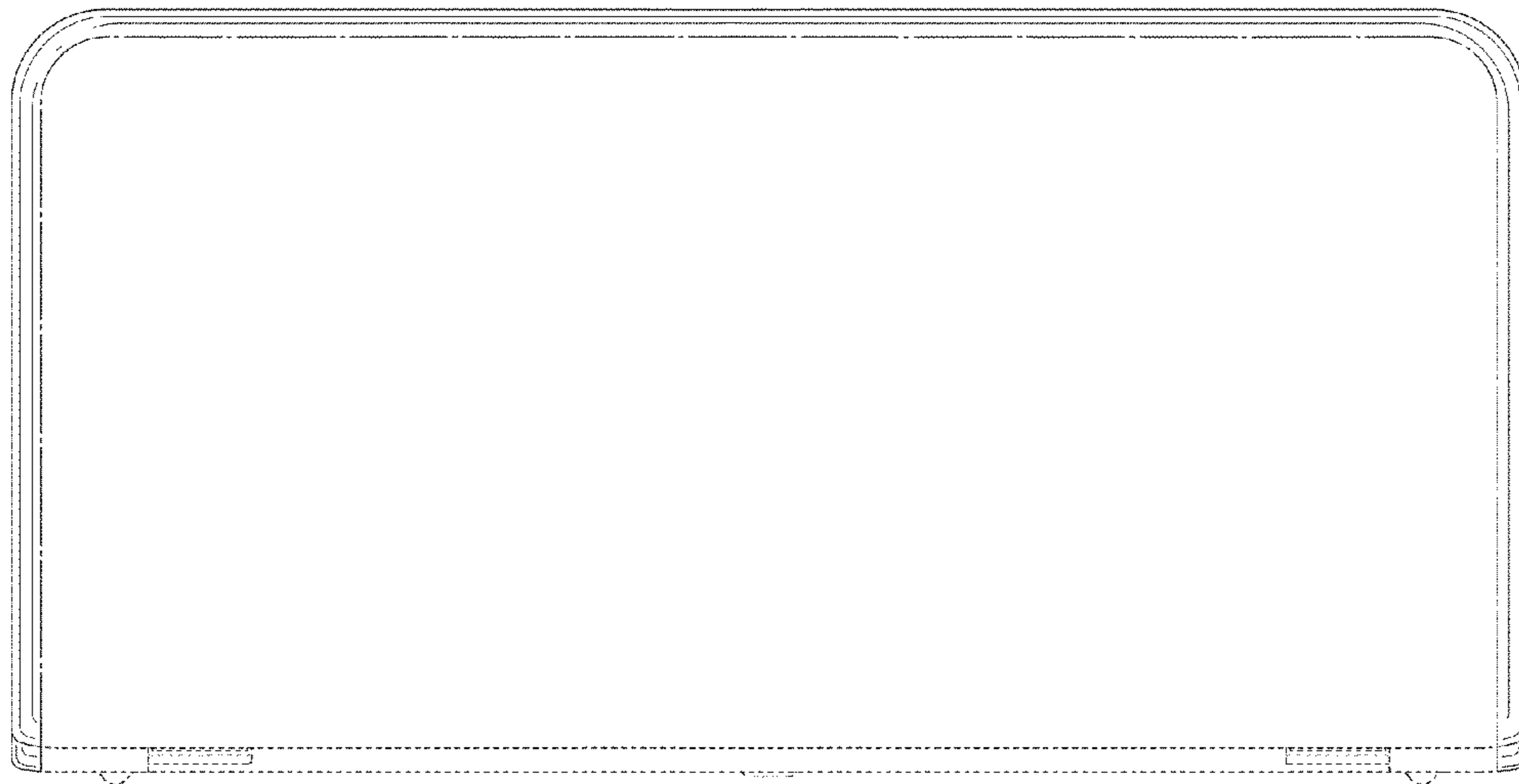


FIG.5

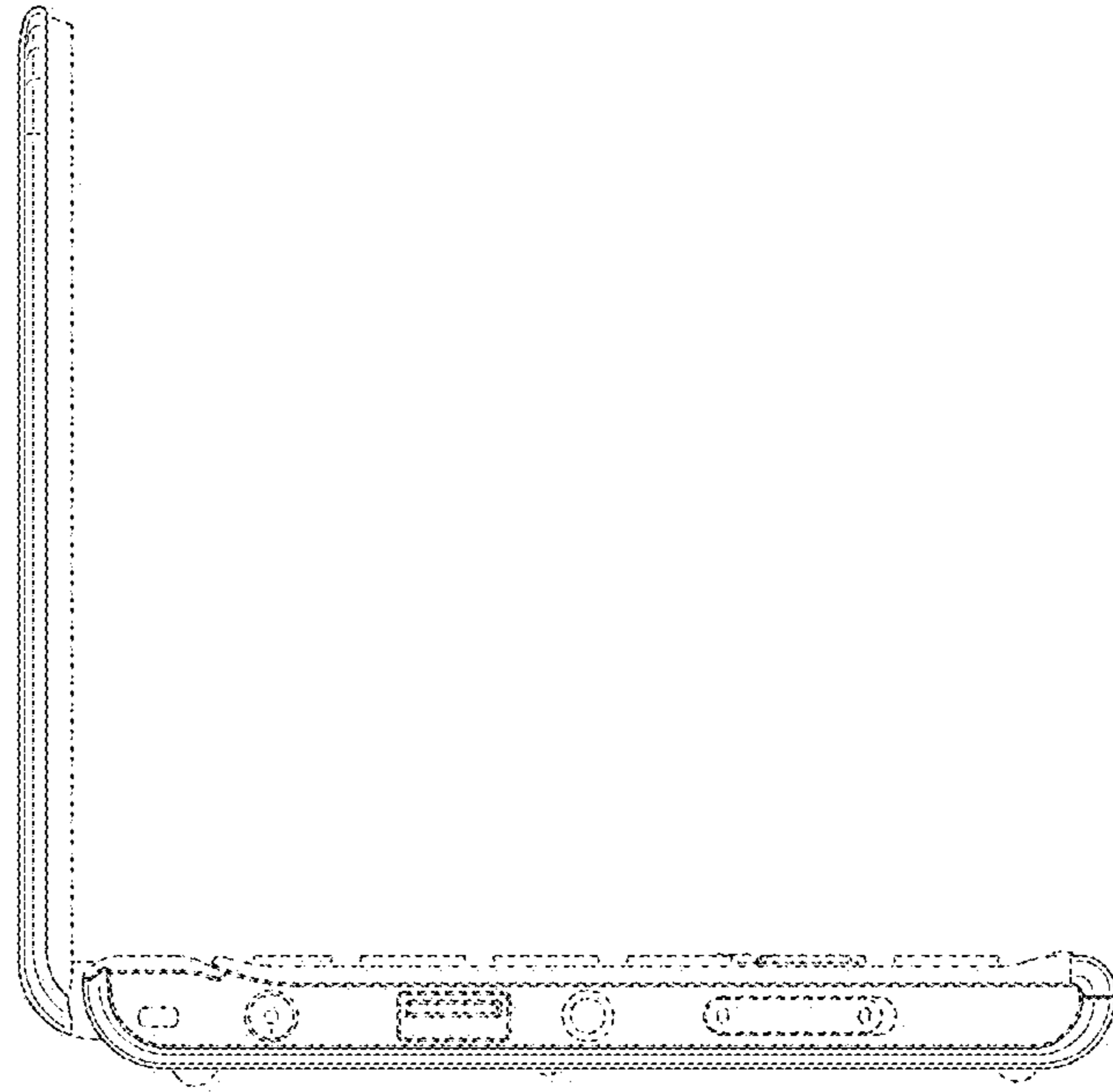


FIG.6

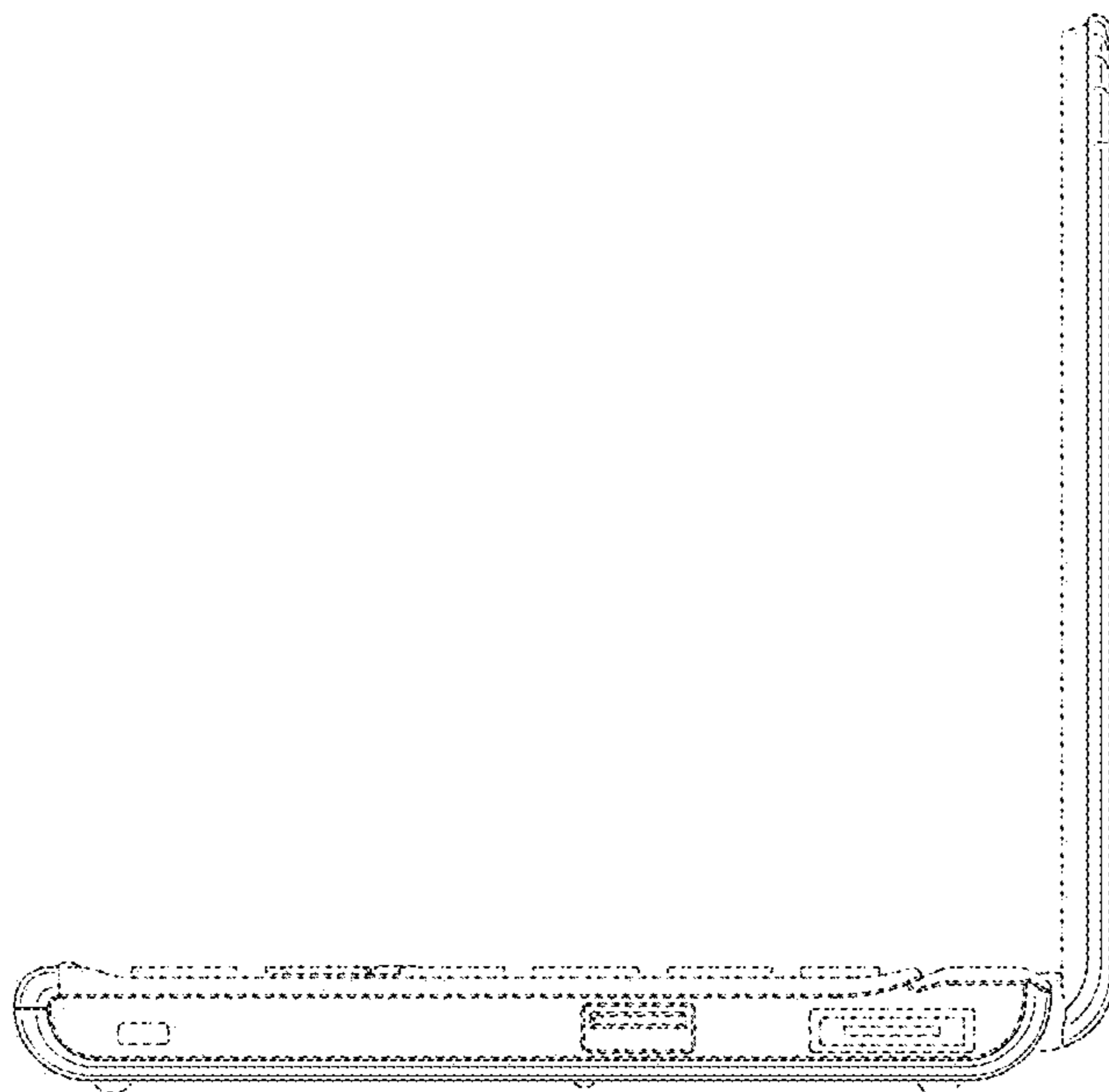


FIG.7

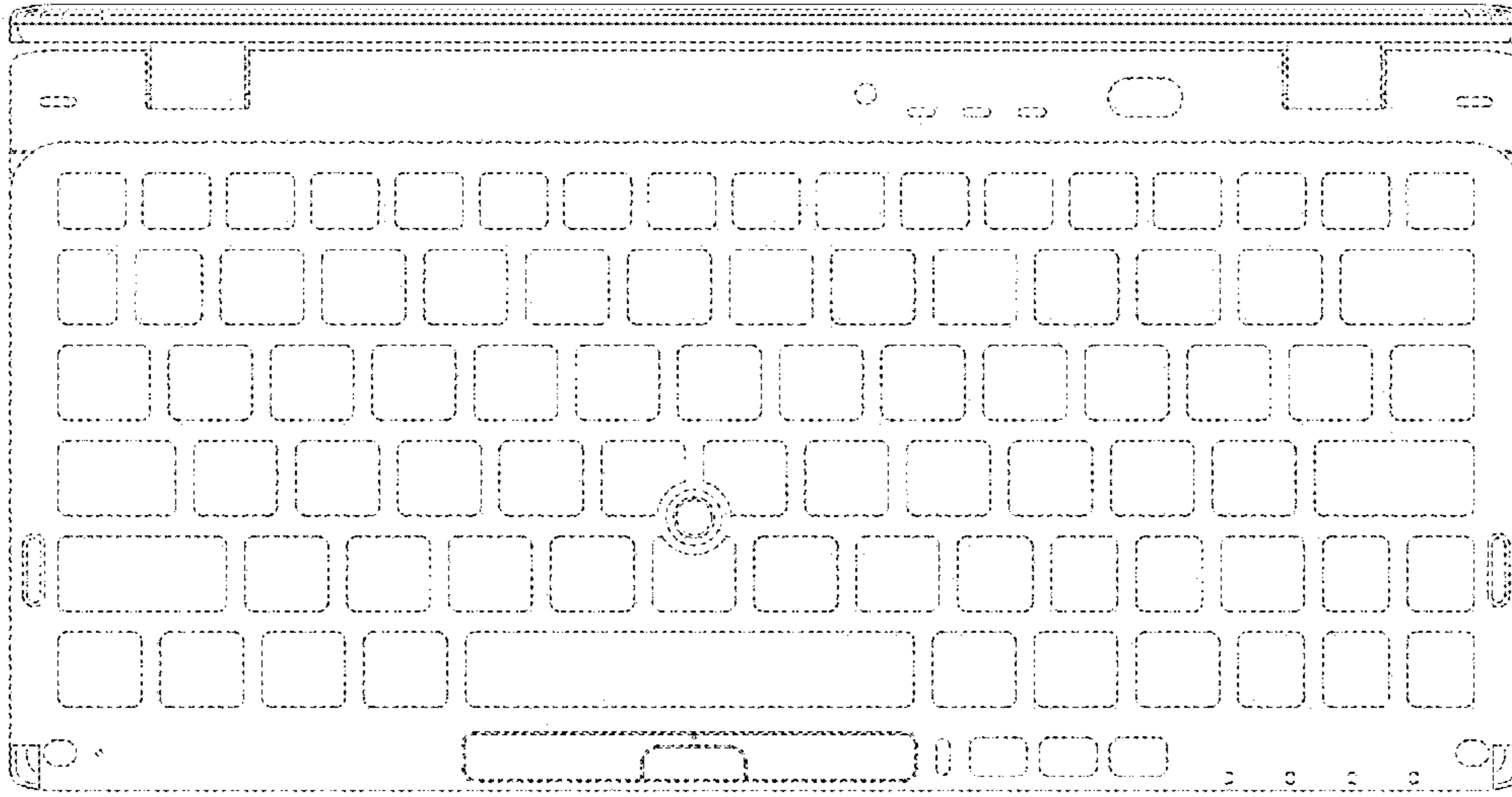


FIG.8

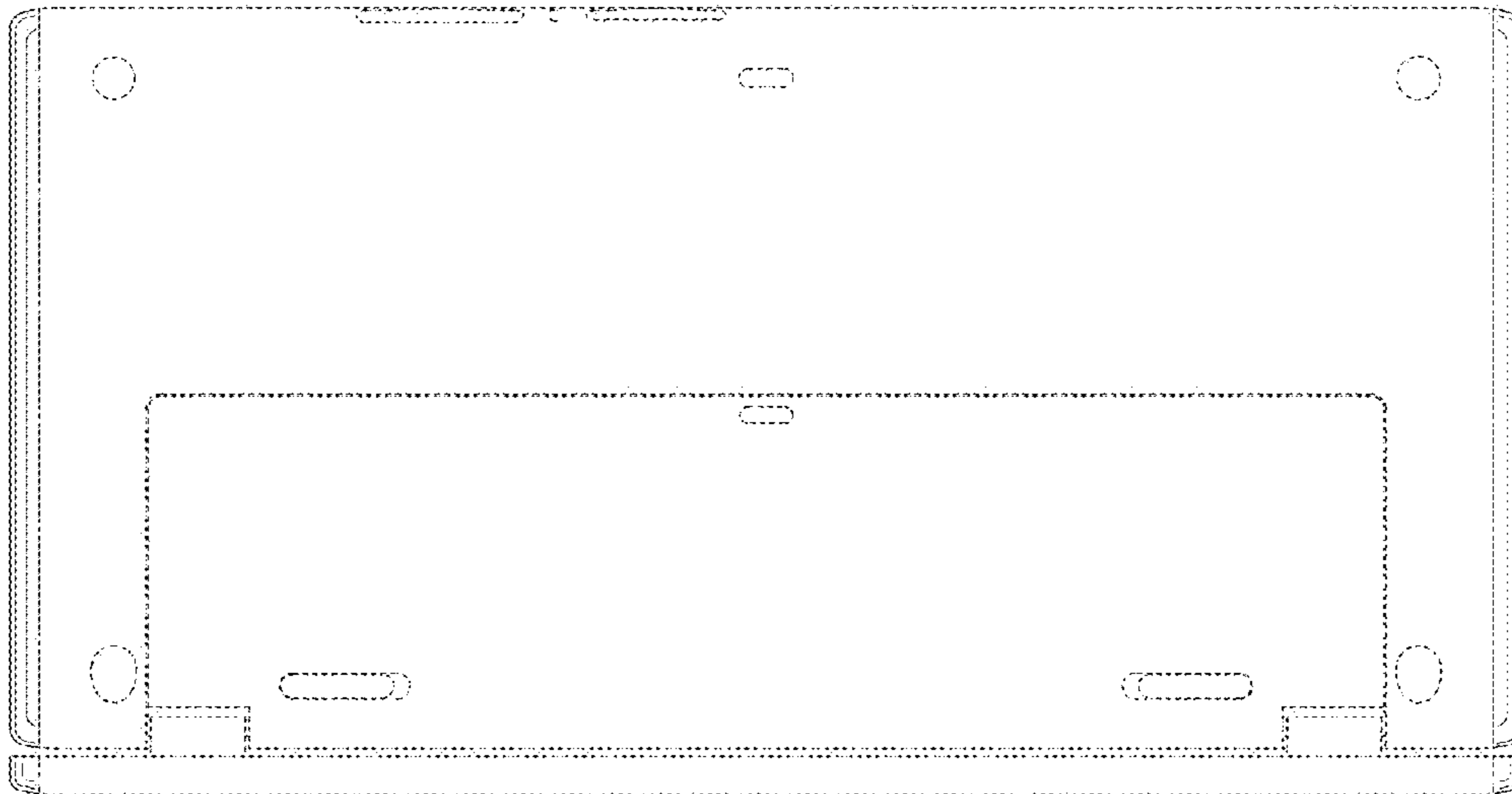


FIG.9

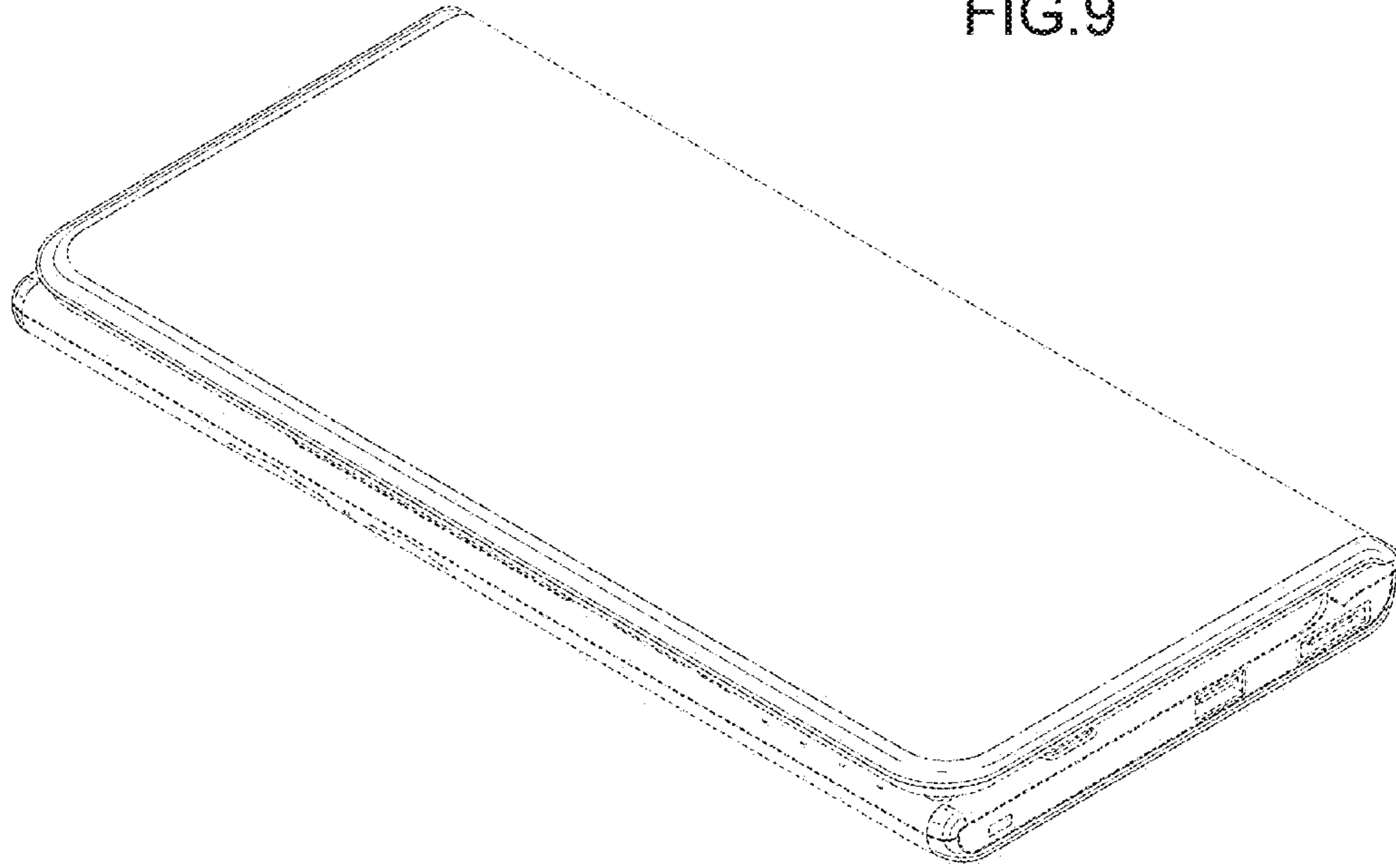


FIG.10

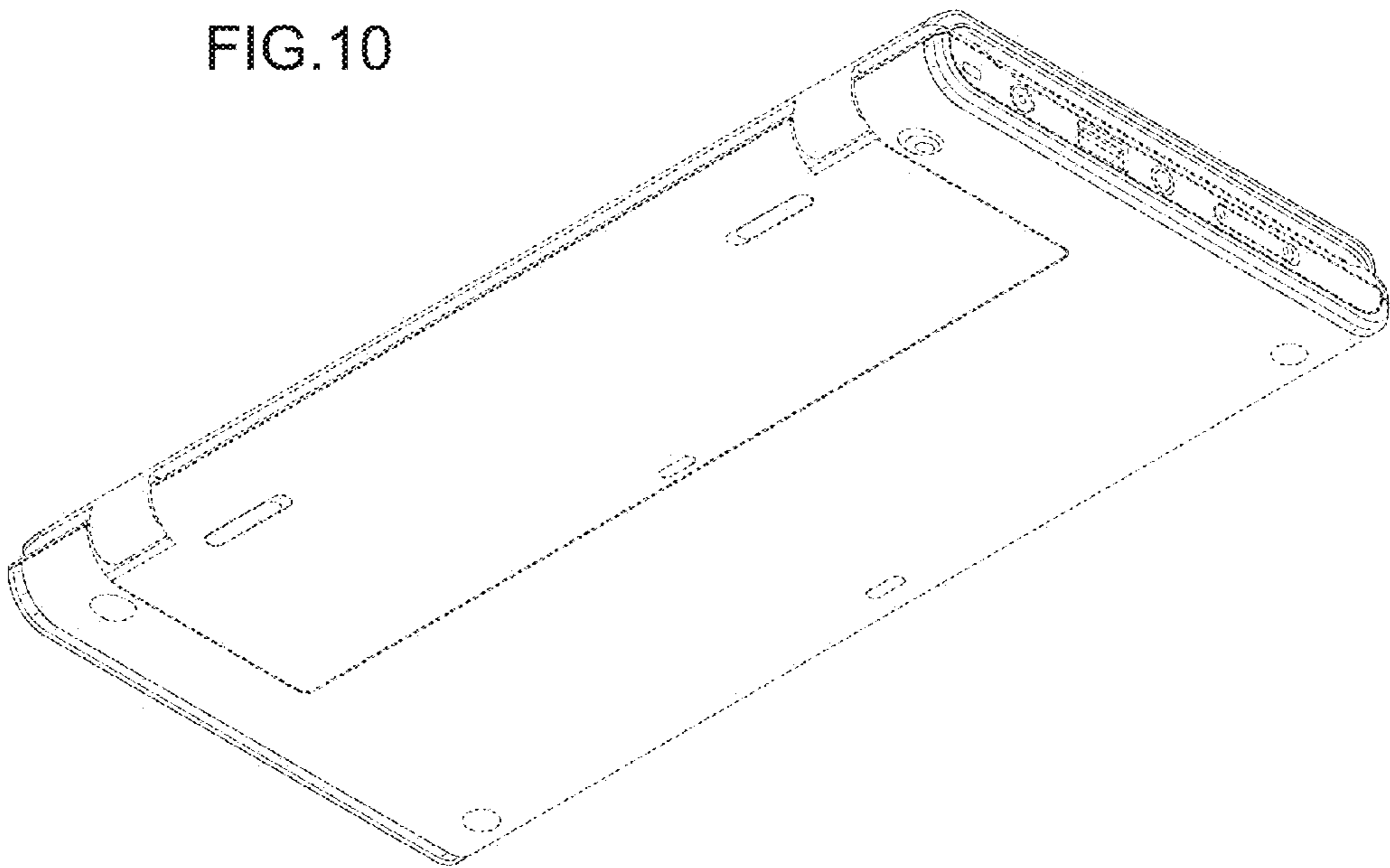




FIG.11

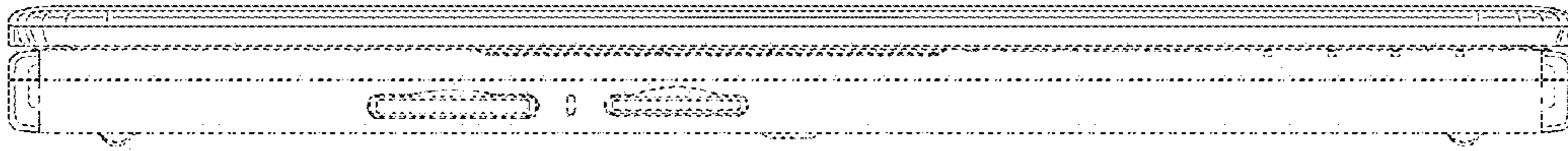


FIG.12

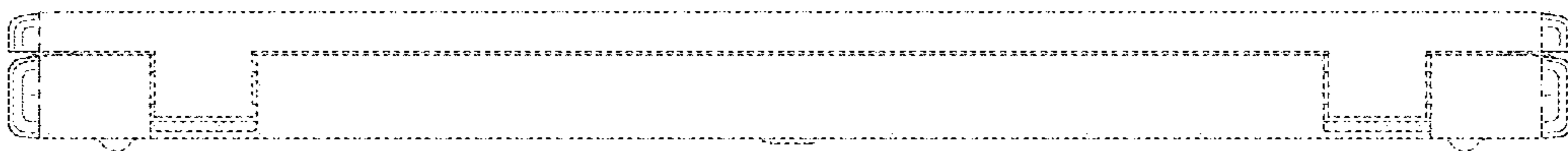


FIG.13

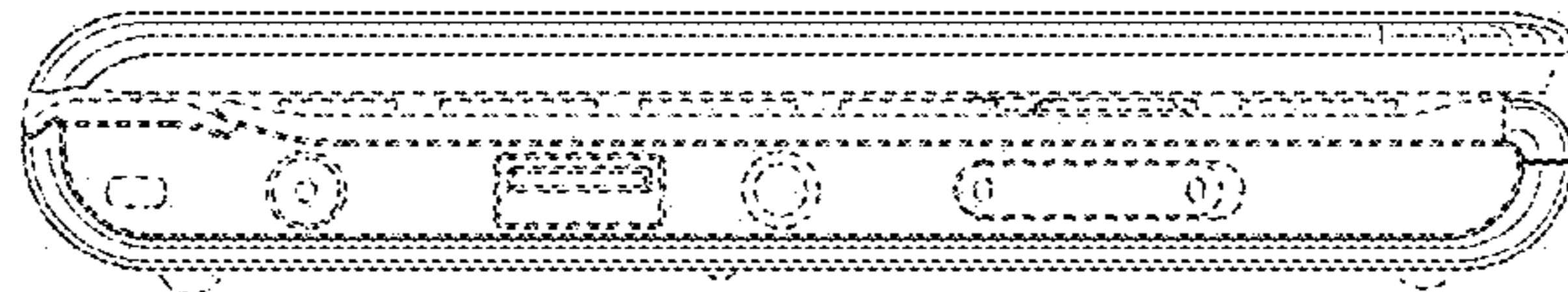


FIG.14

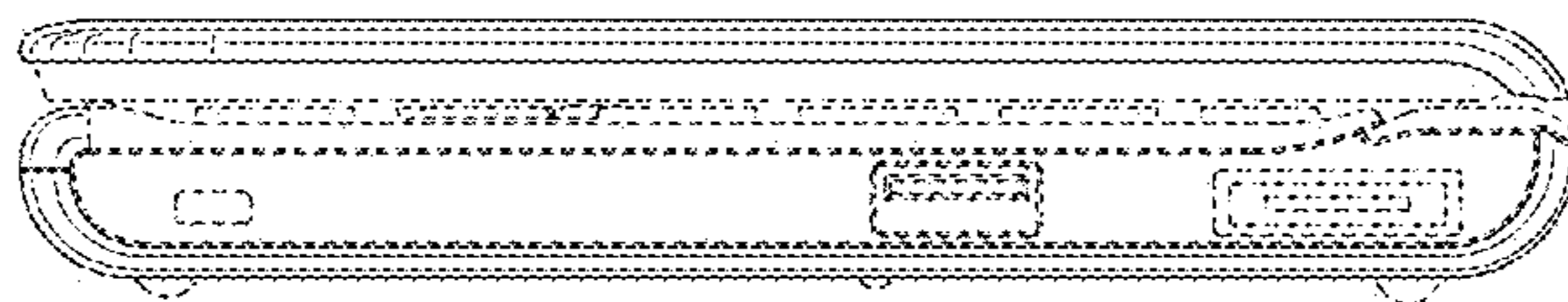
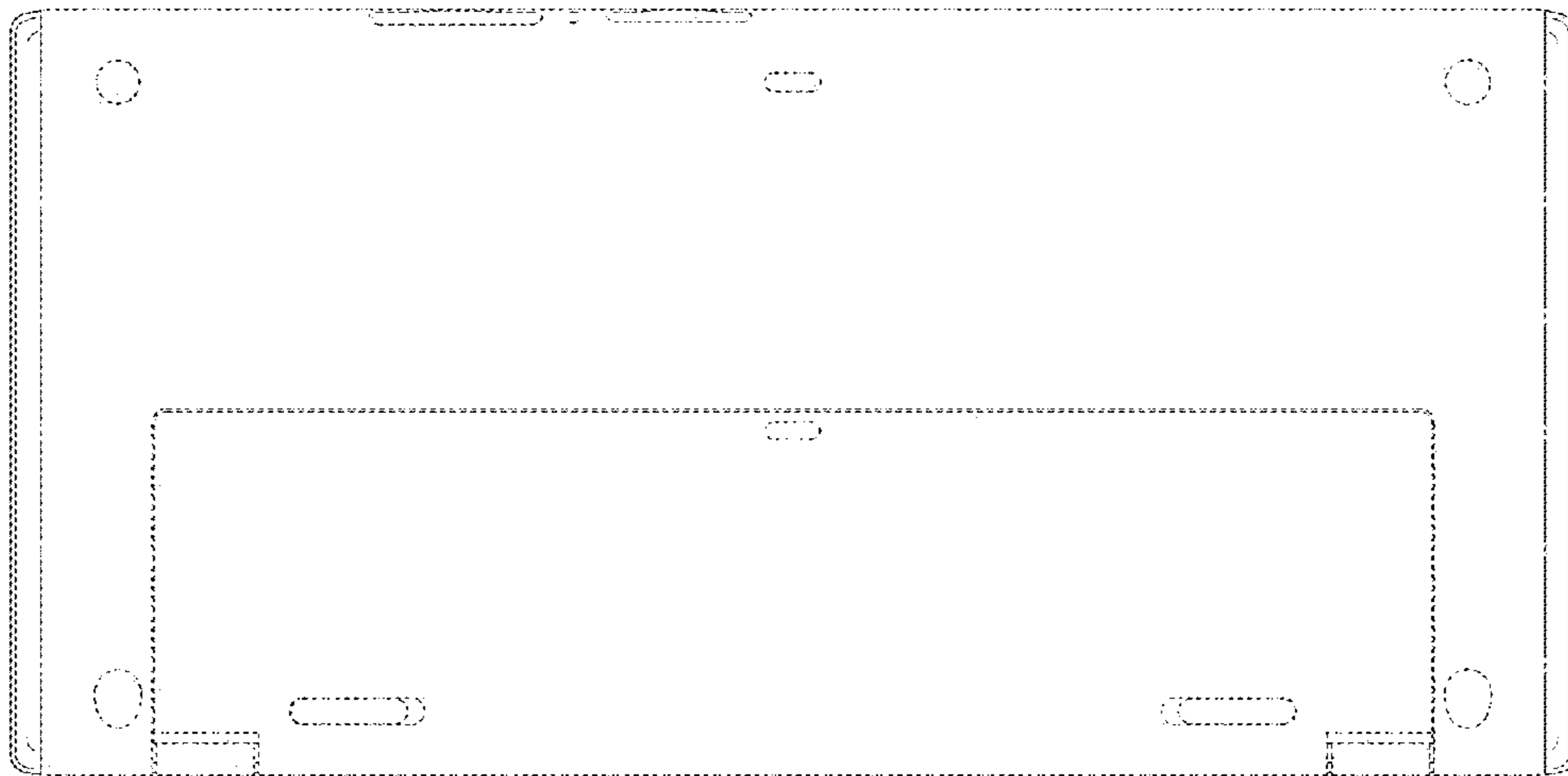


FIG.15



FIG.16



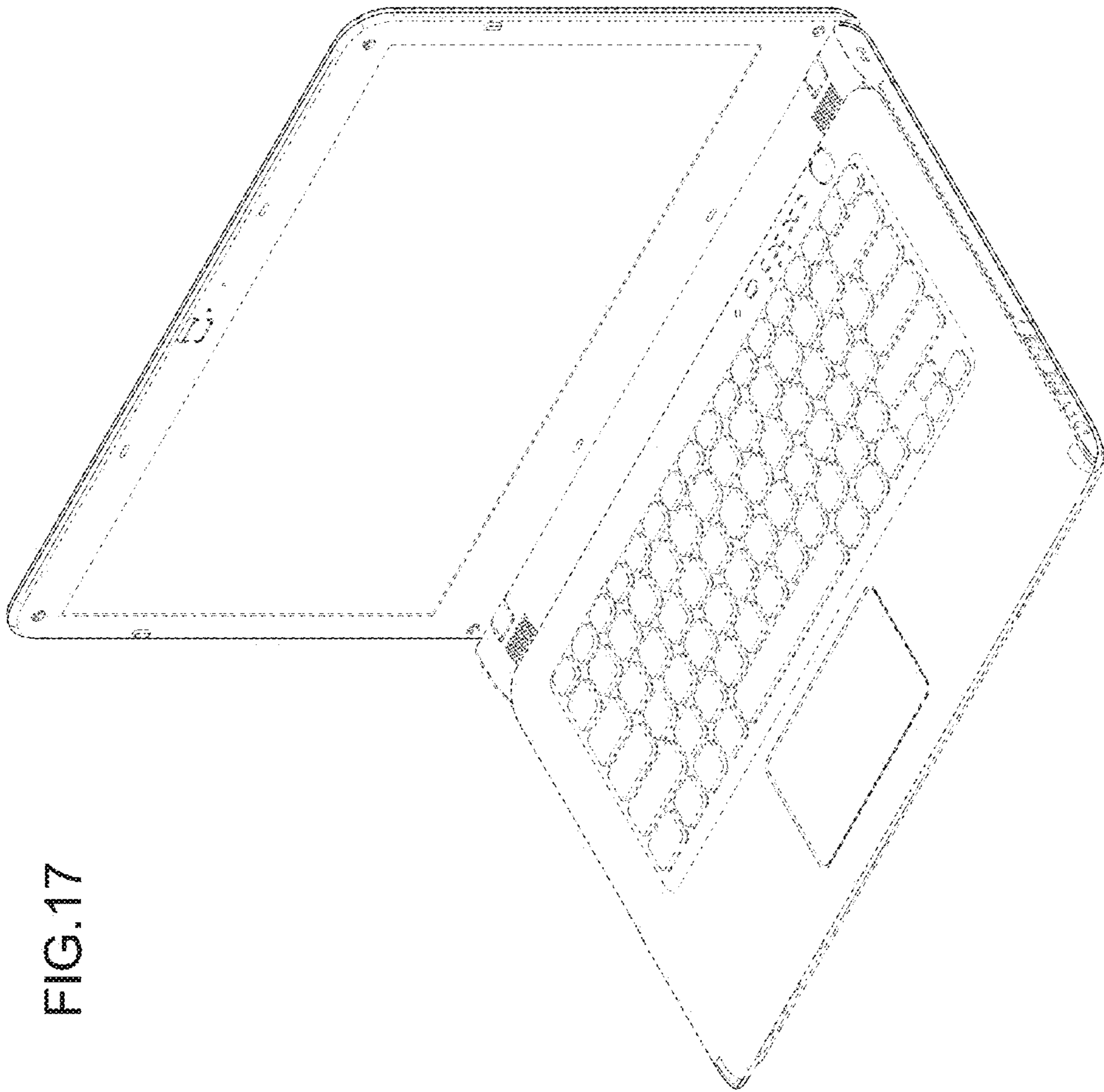


FIG.17

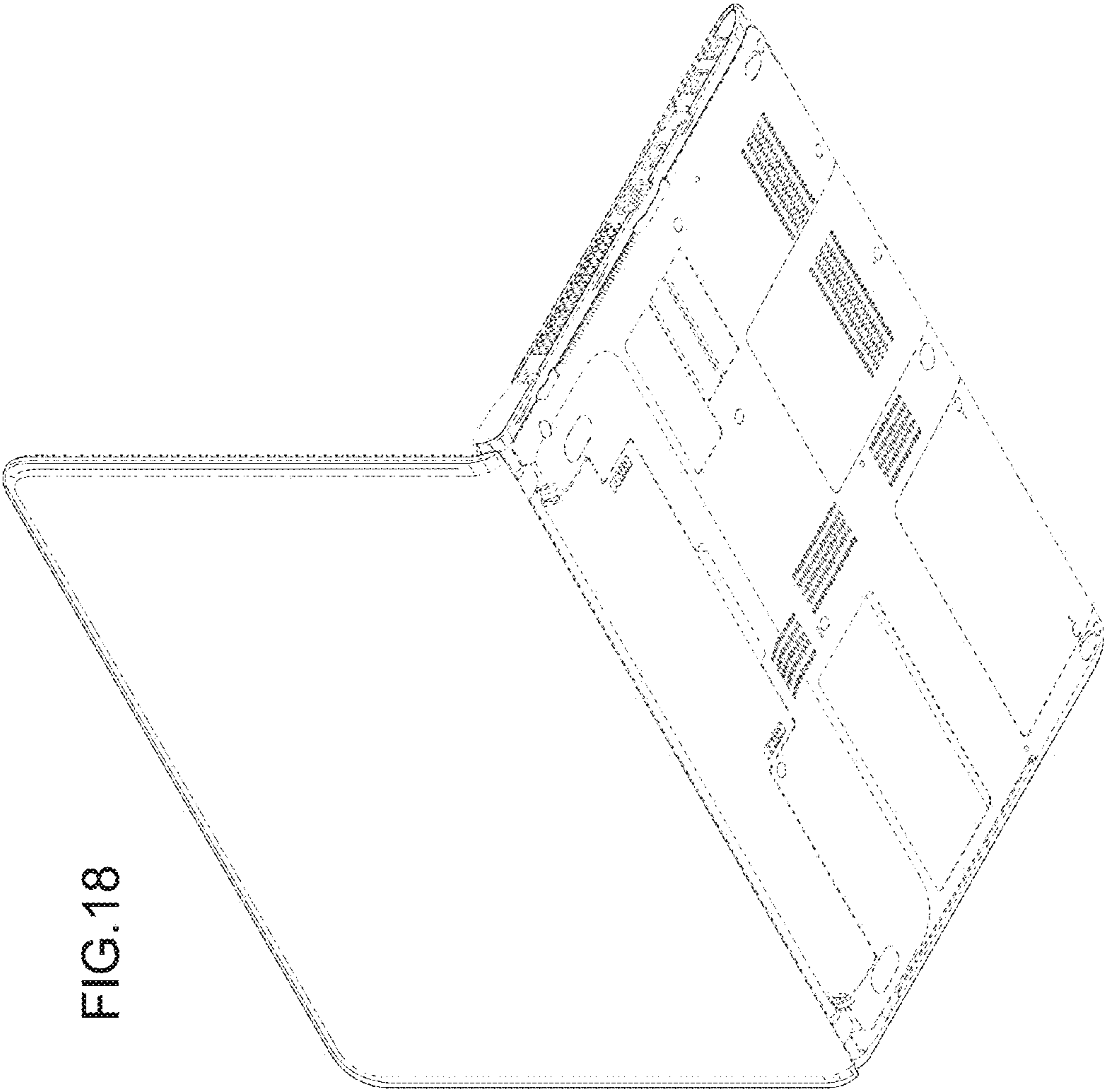


FIG. 18

FIG. 19

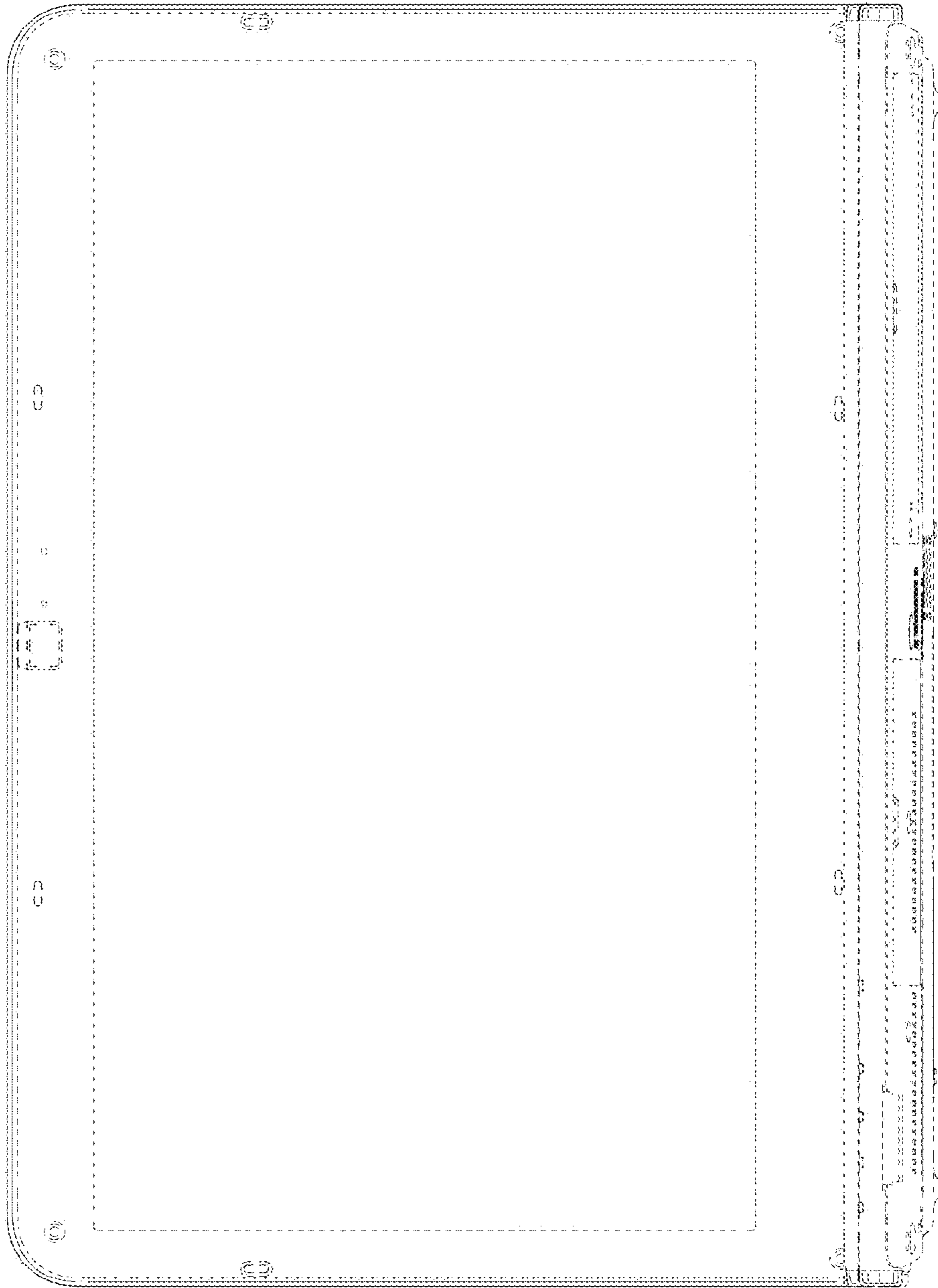


FIG.20

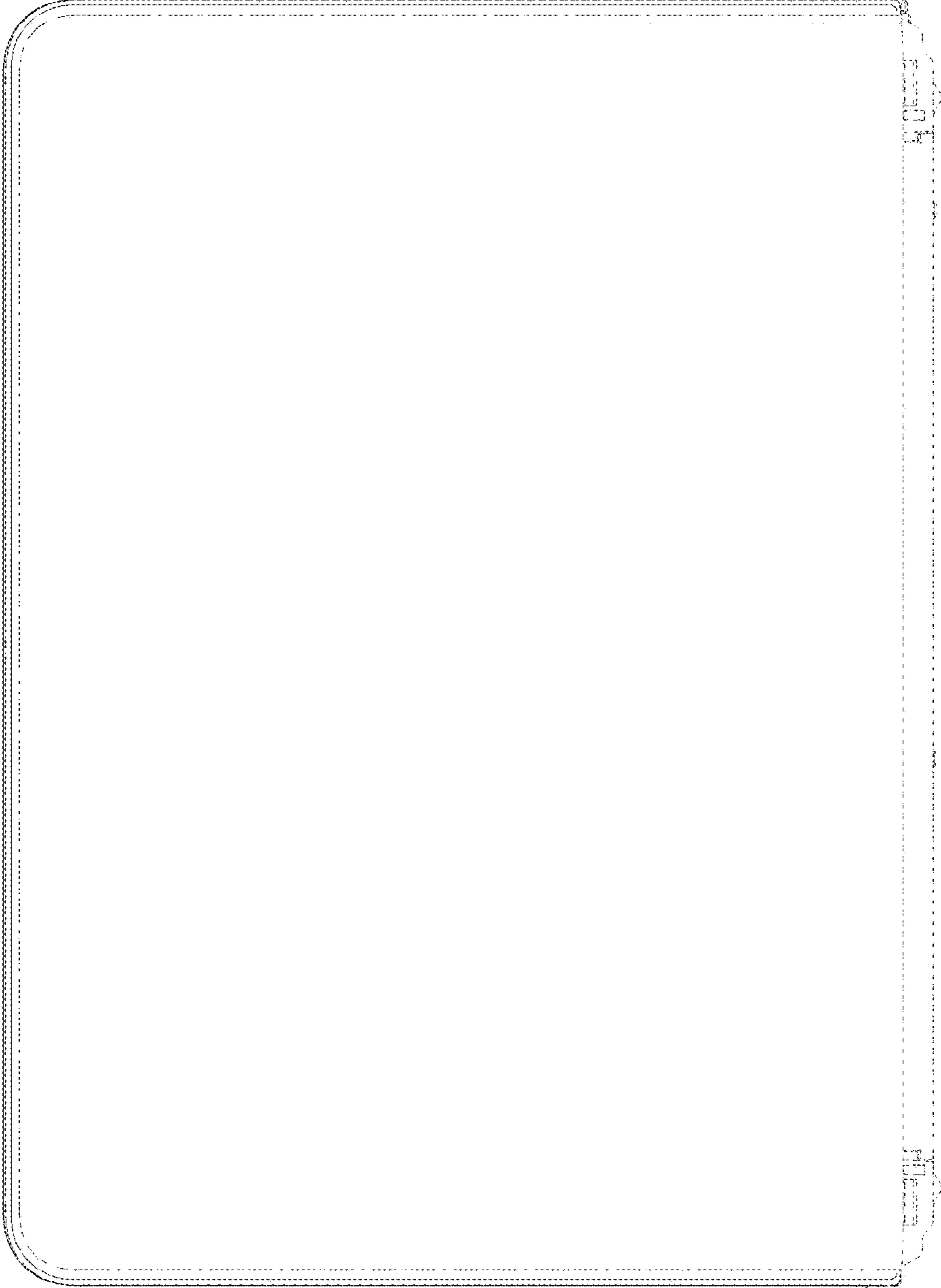


FIG. 21

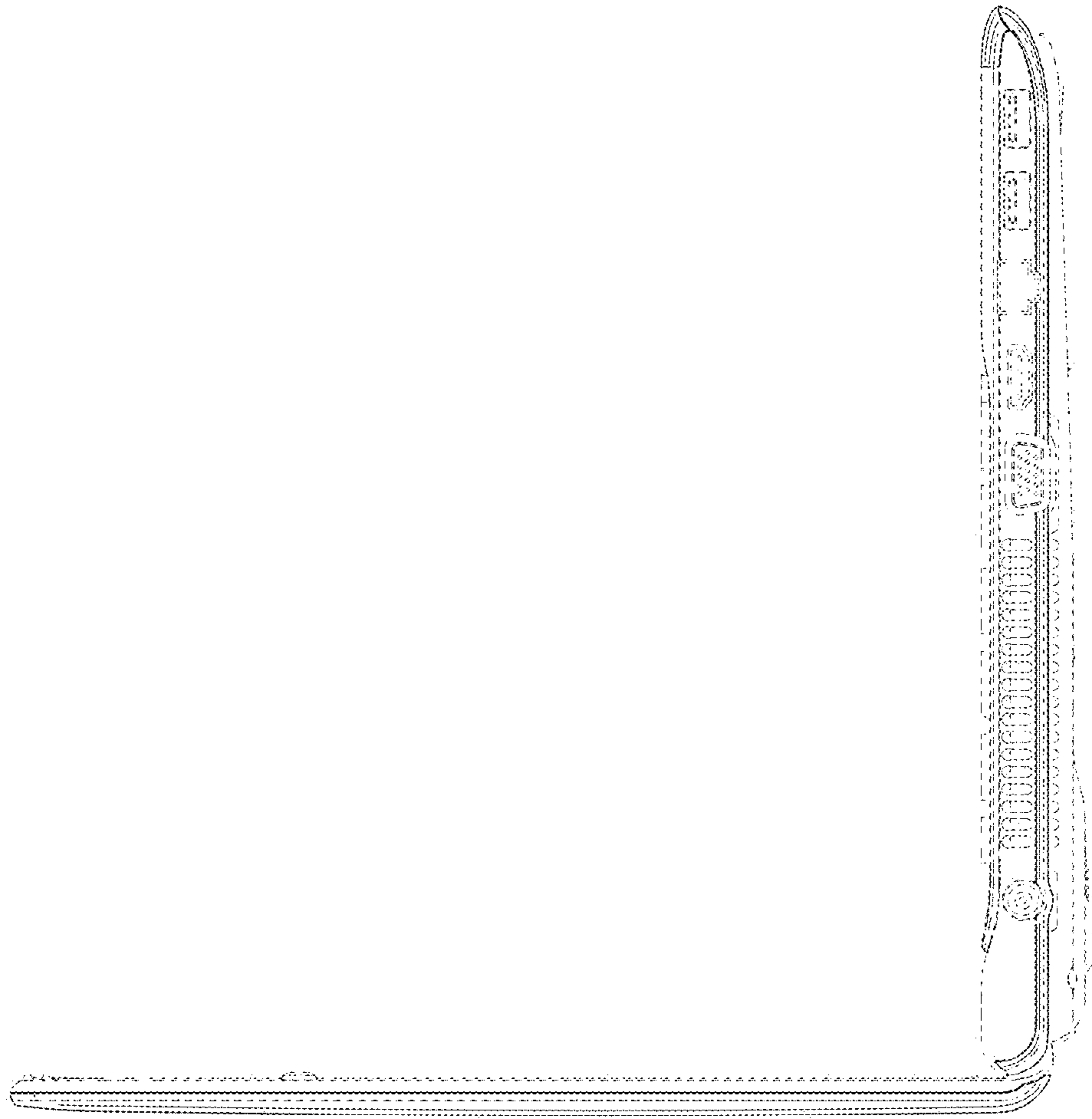




FIG. 22

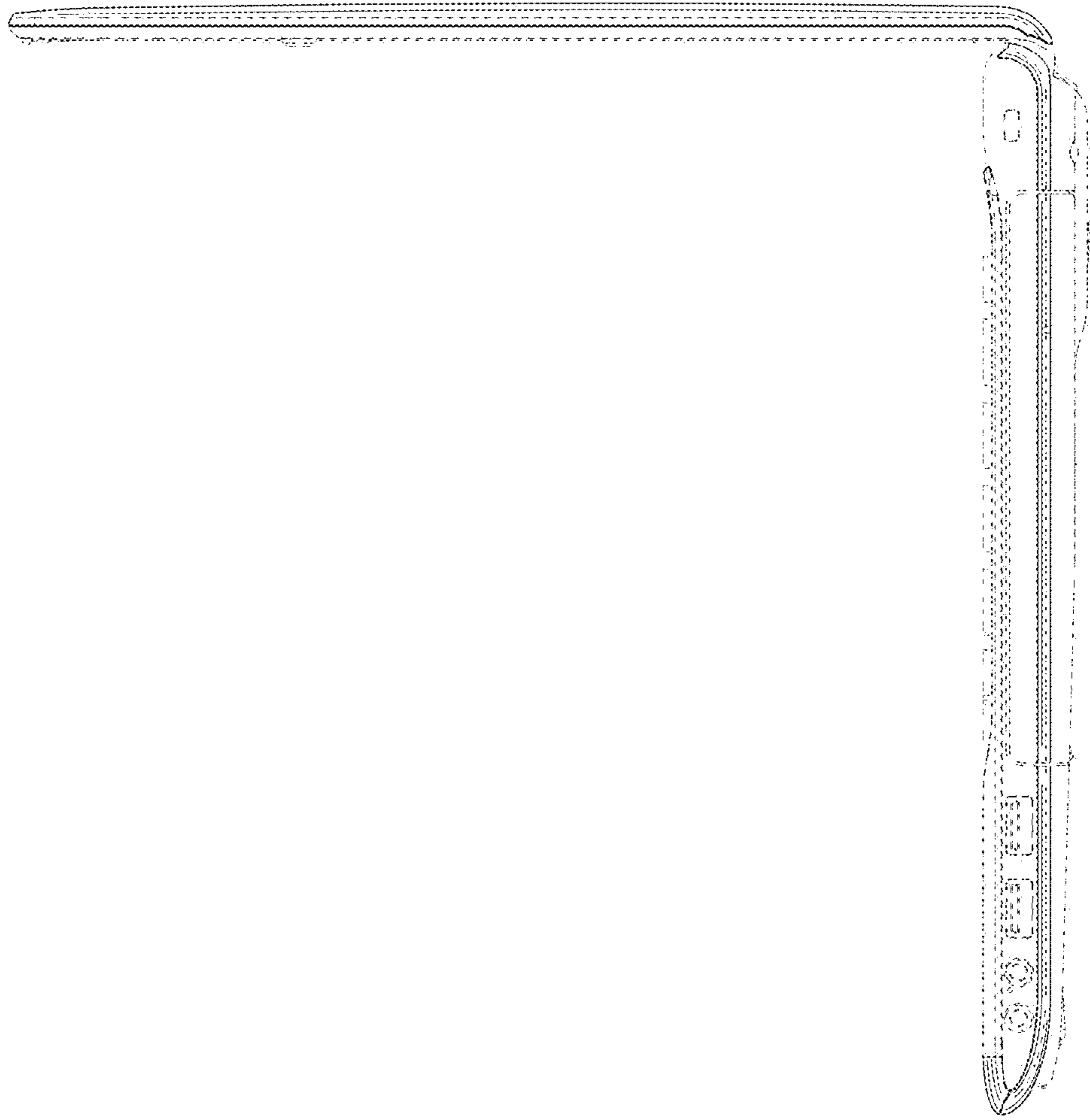


FIG. 23

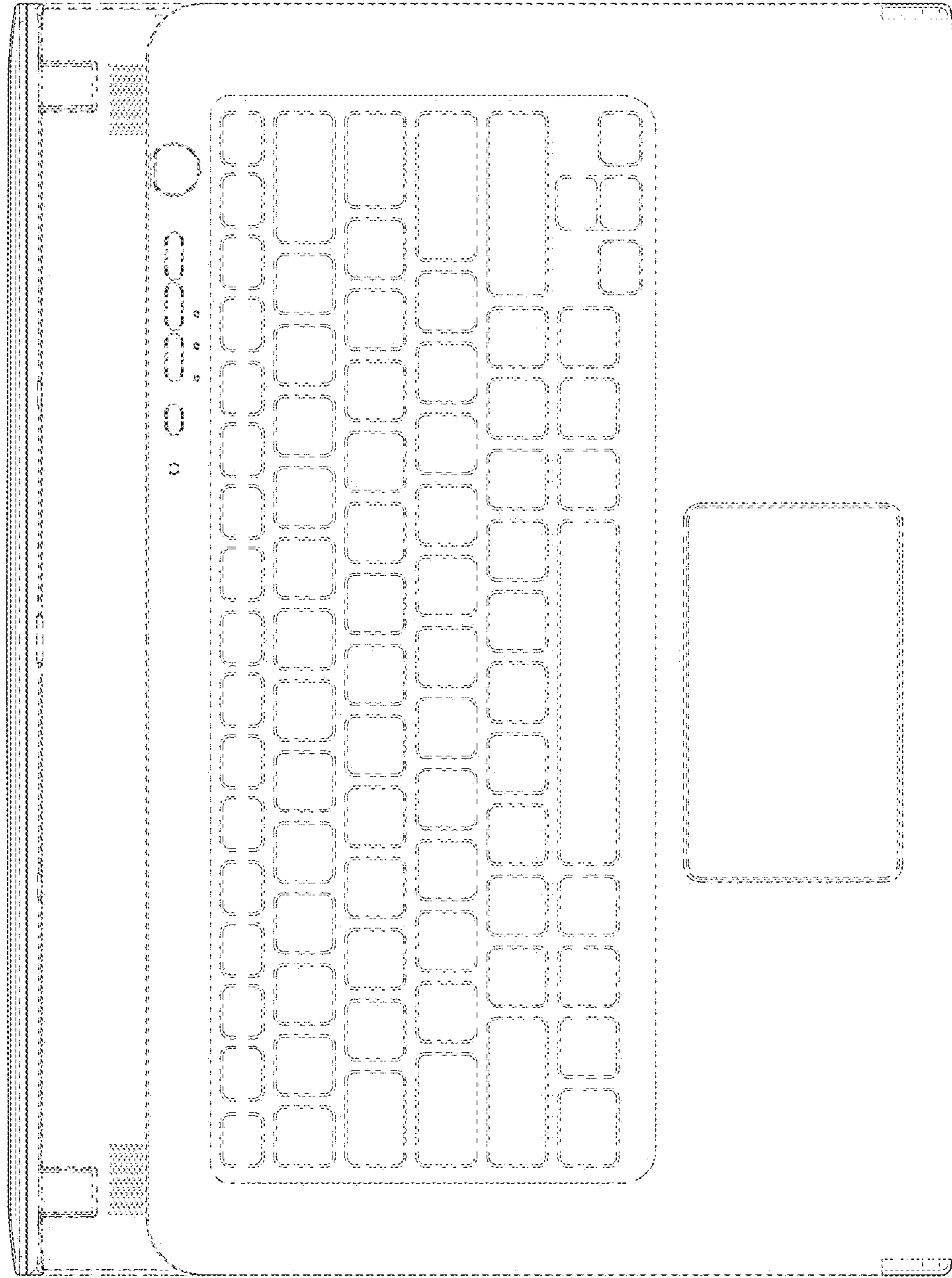


FIG. 24

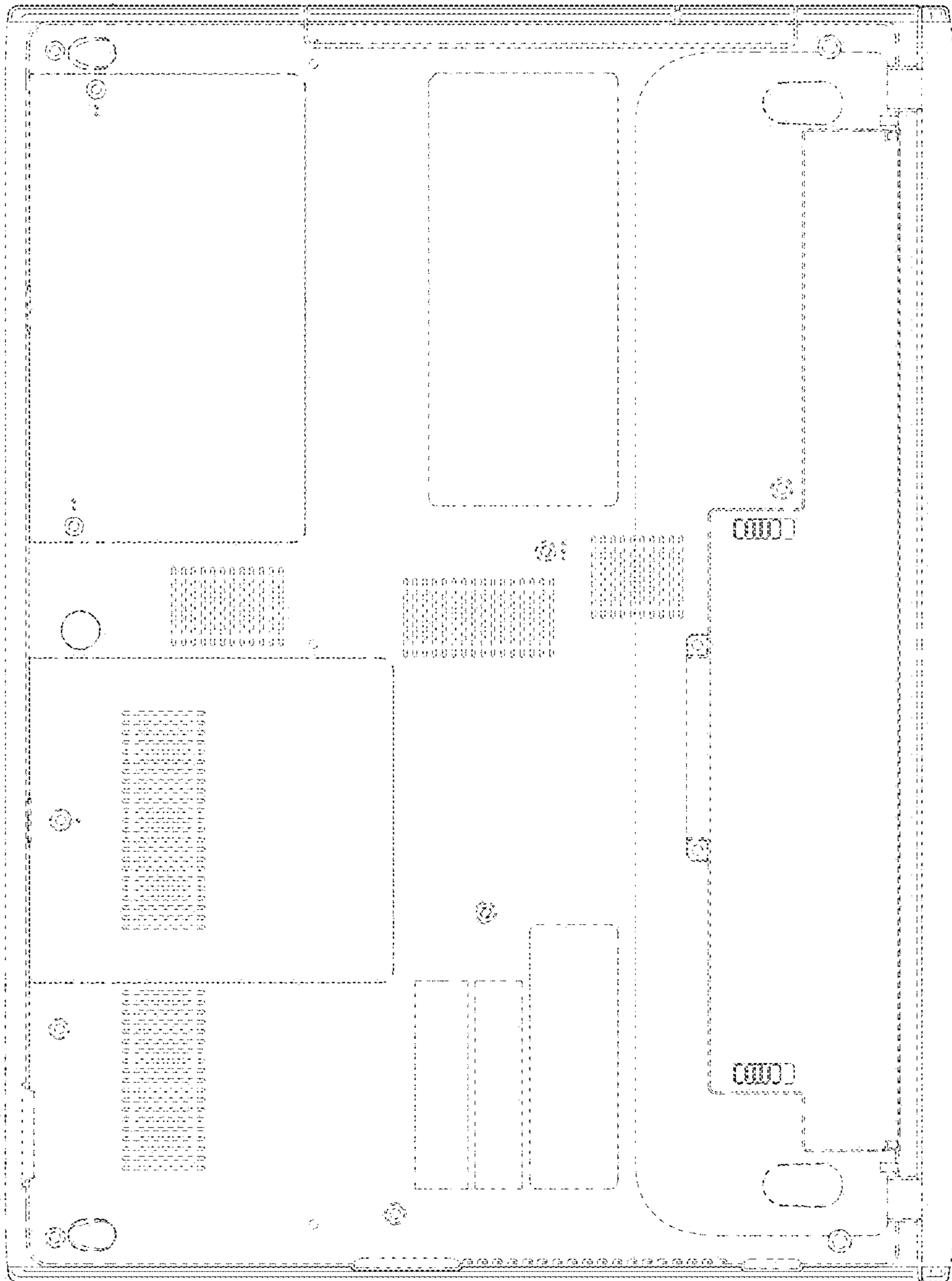


FIG.25

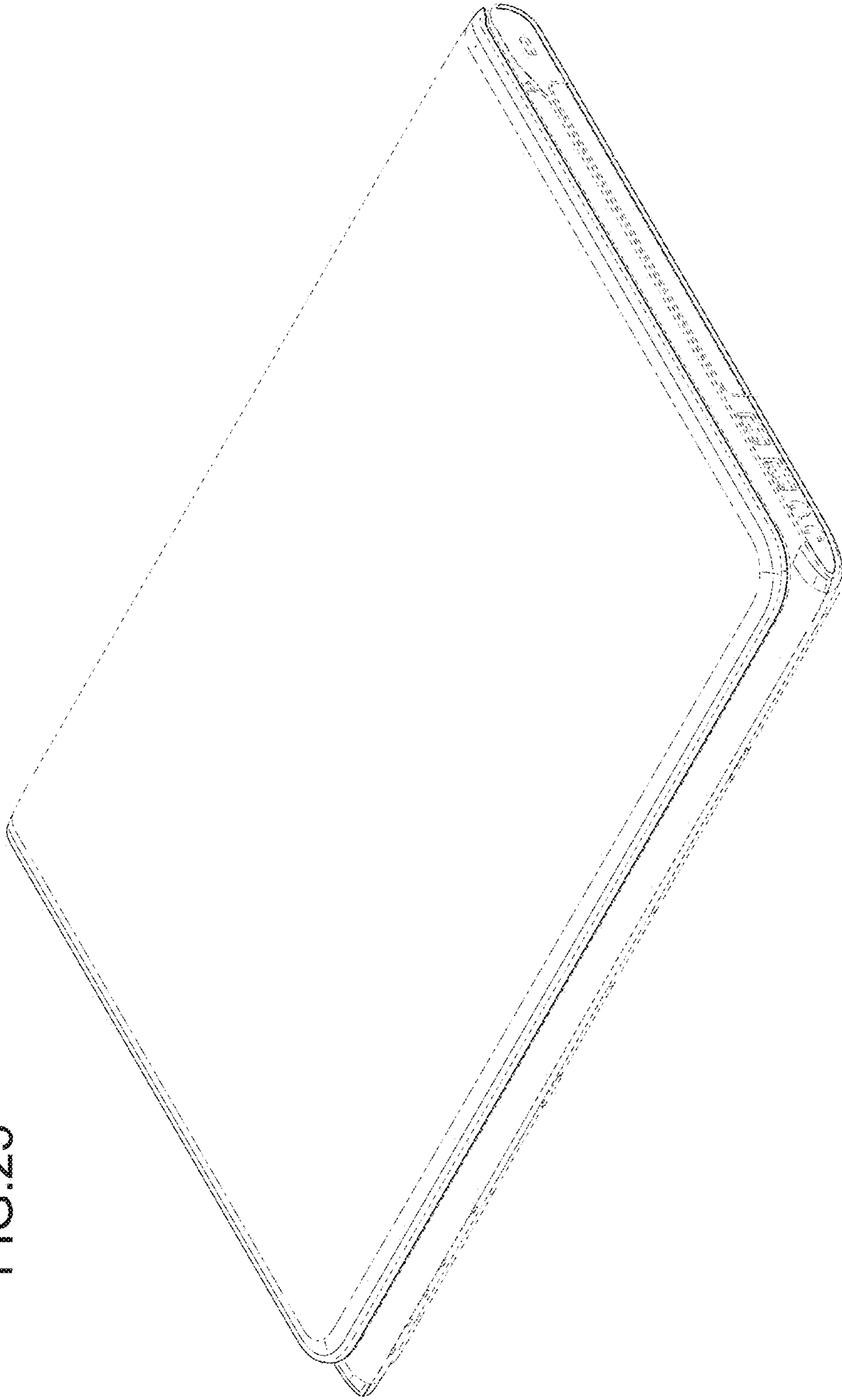


FIG.26

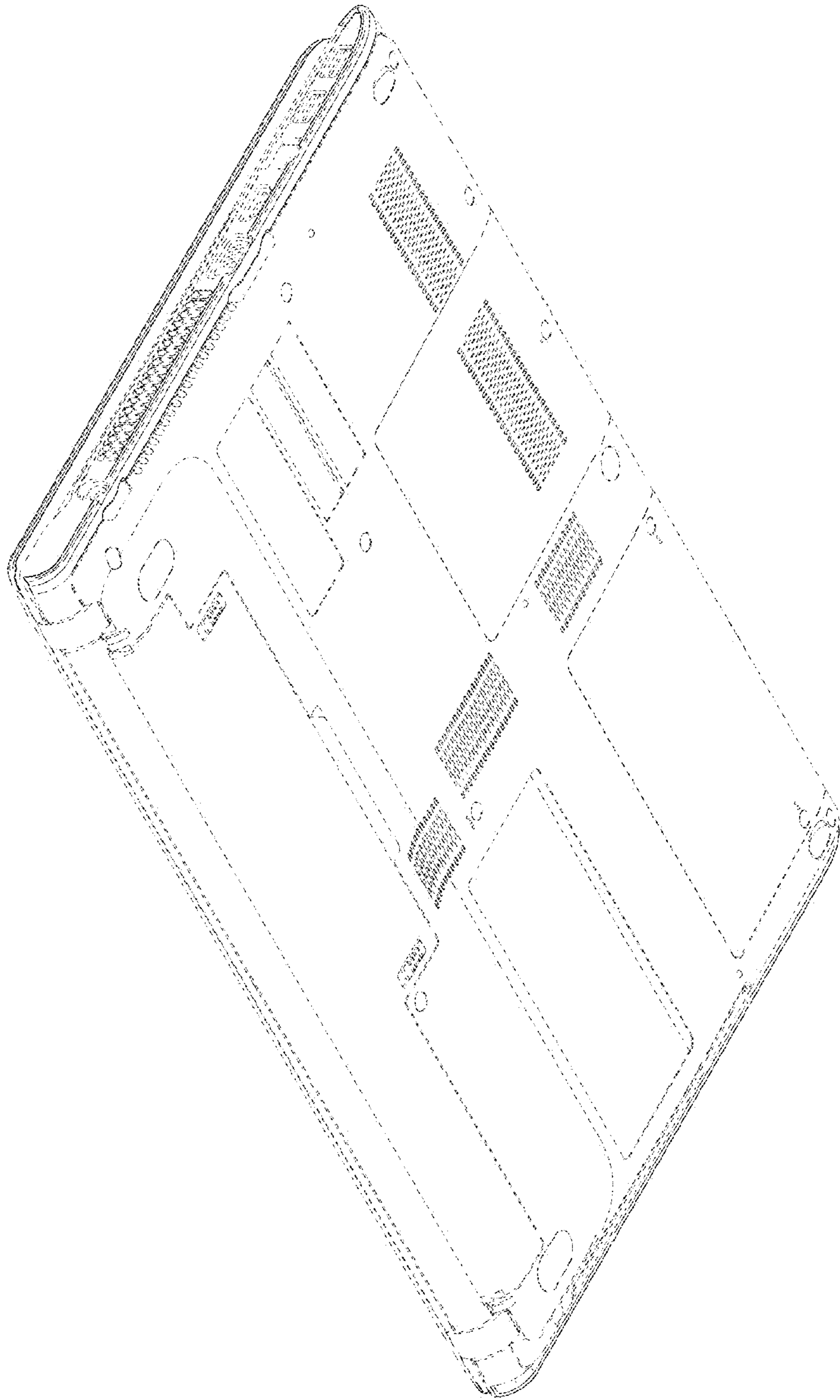


FIG.27

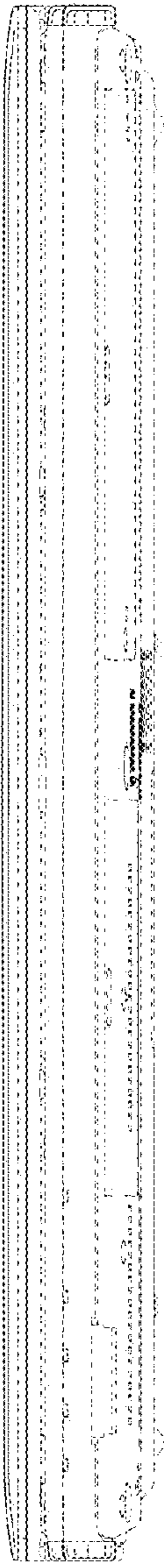


FIG.28

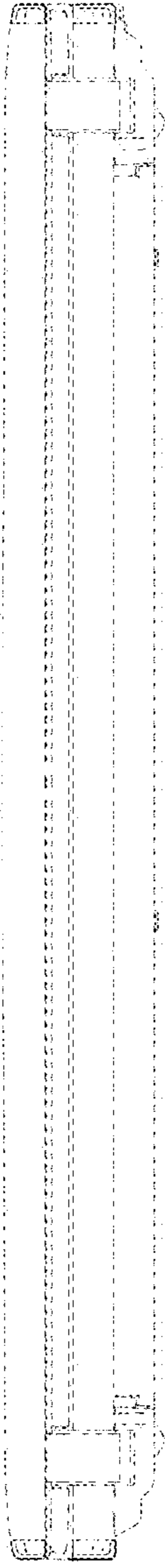


FIG.29

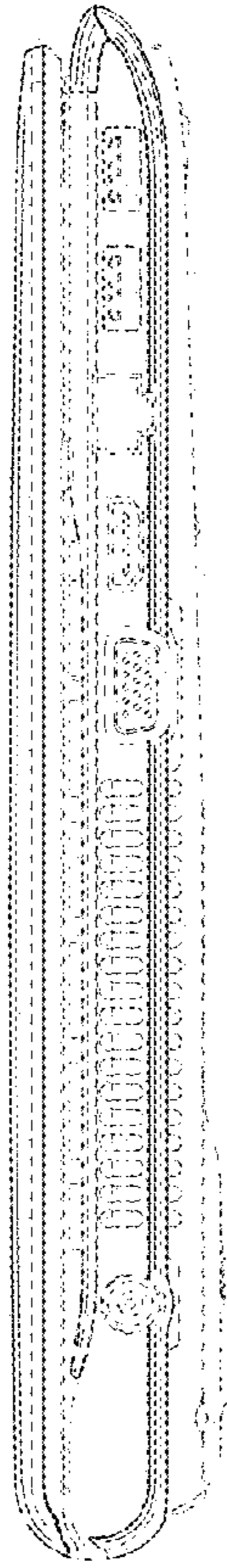


FIG.30

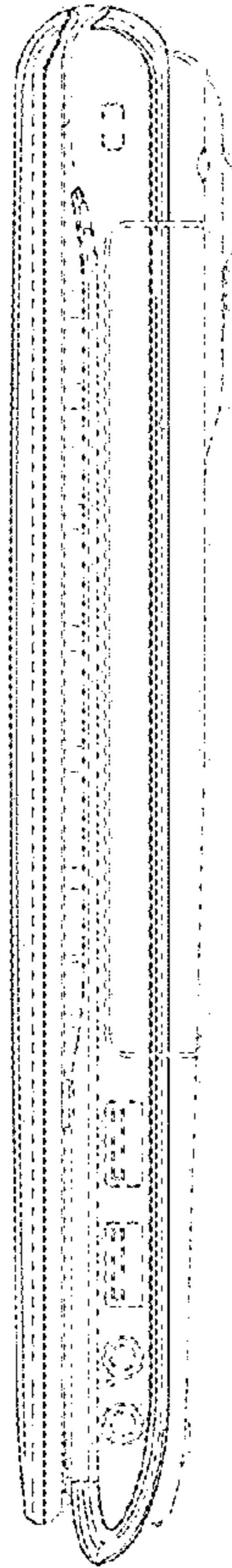


FIG.31

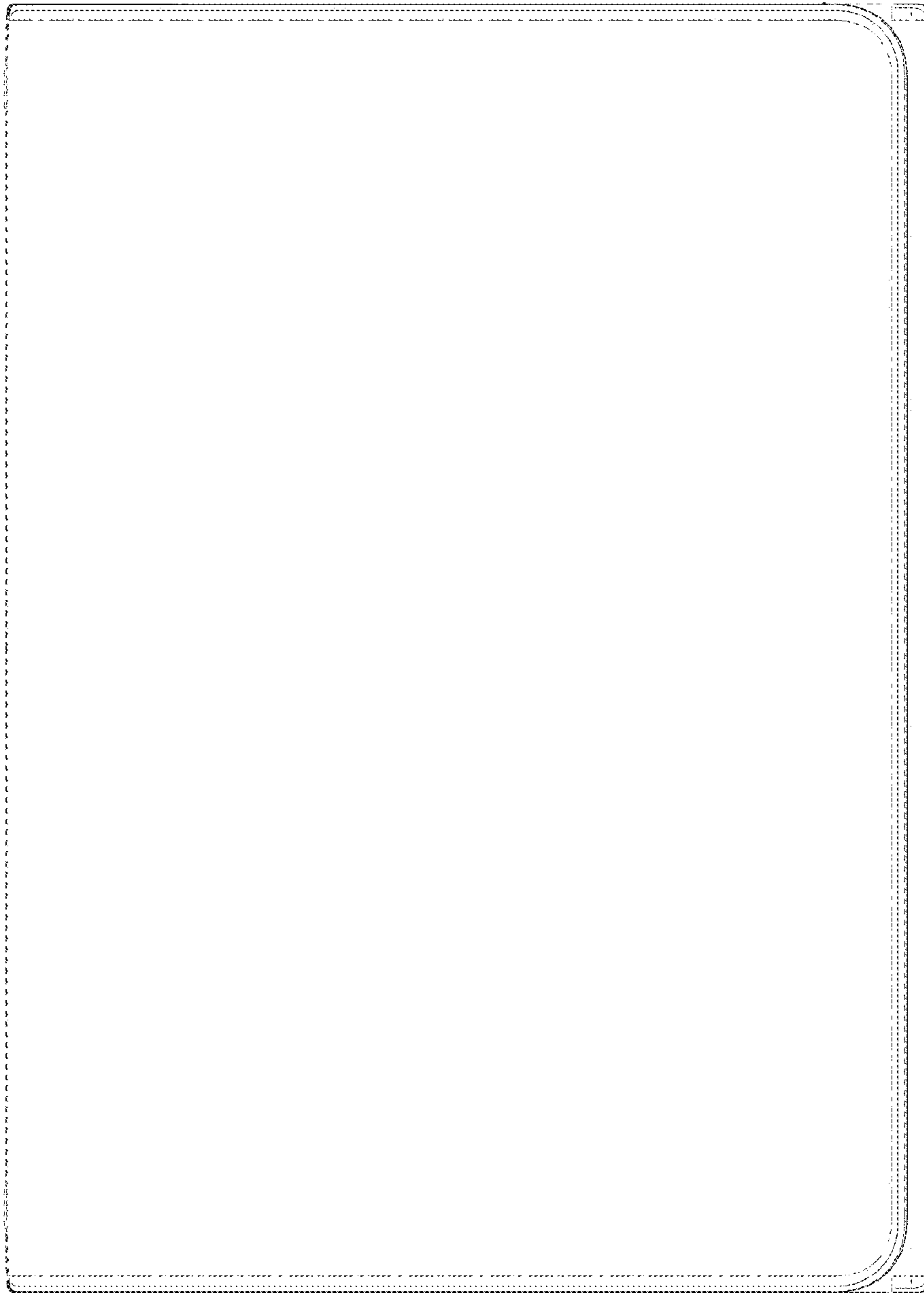
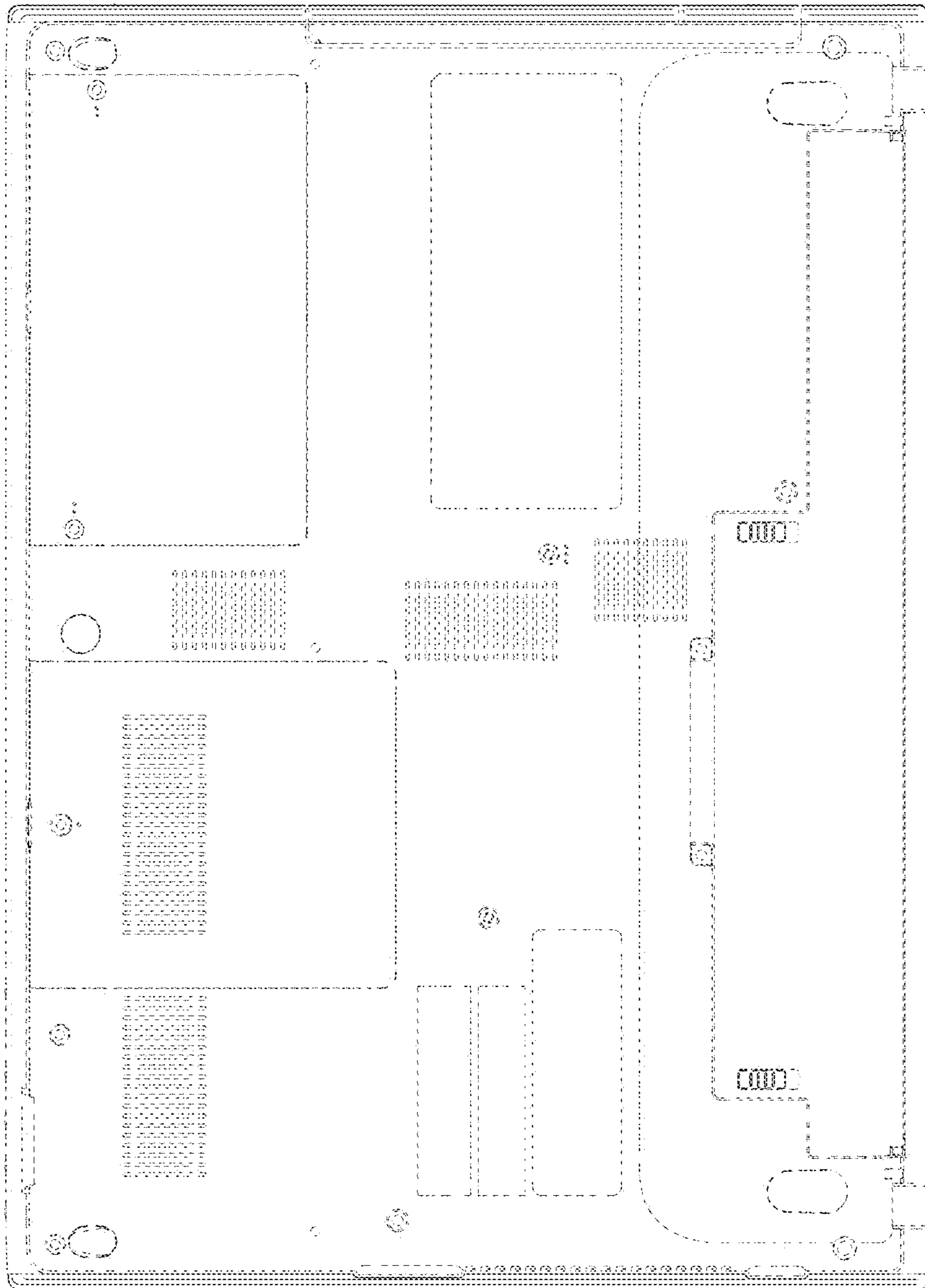


FIG.32





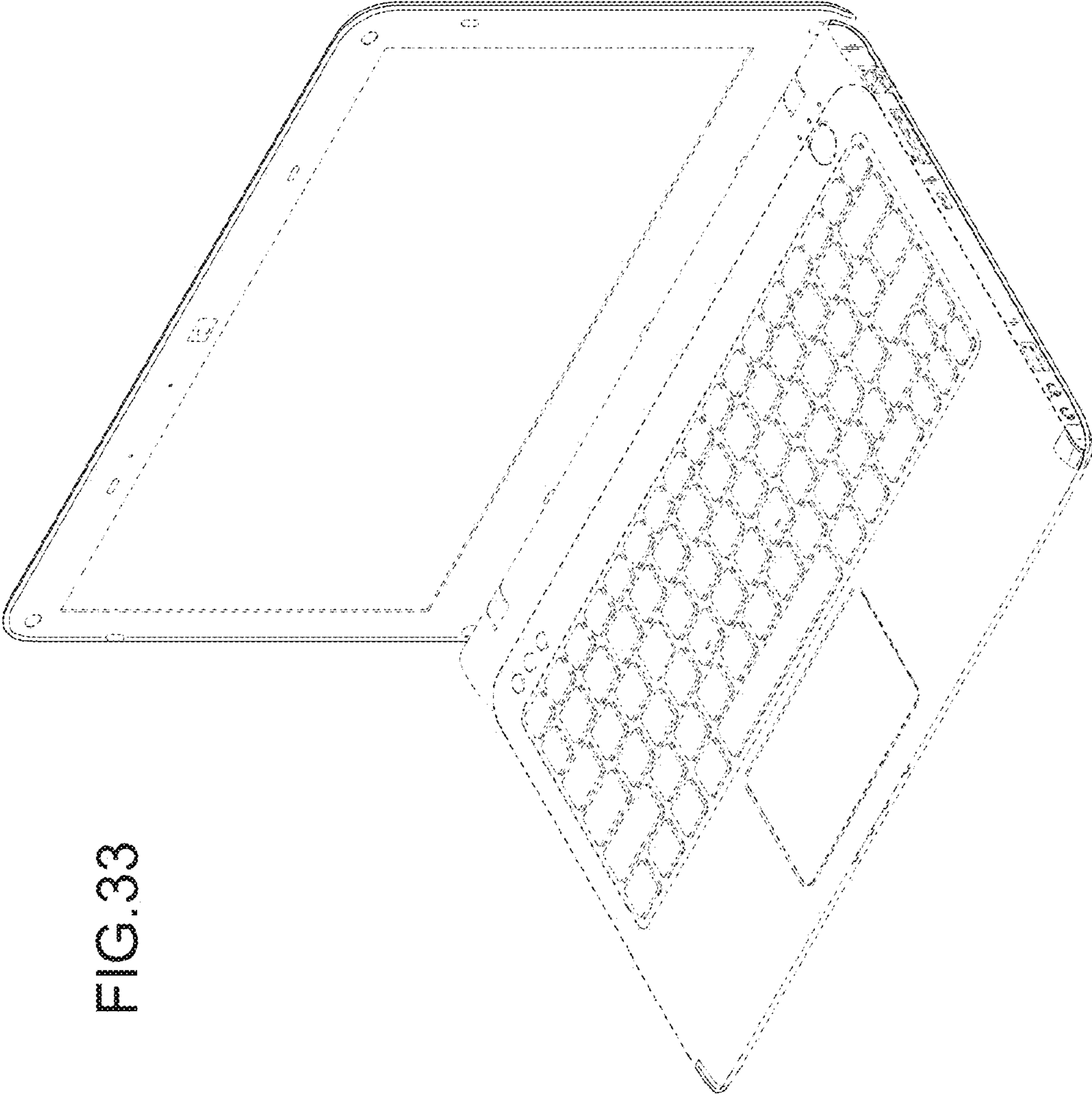


FIG.33

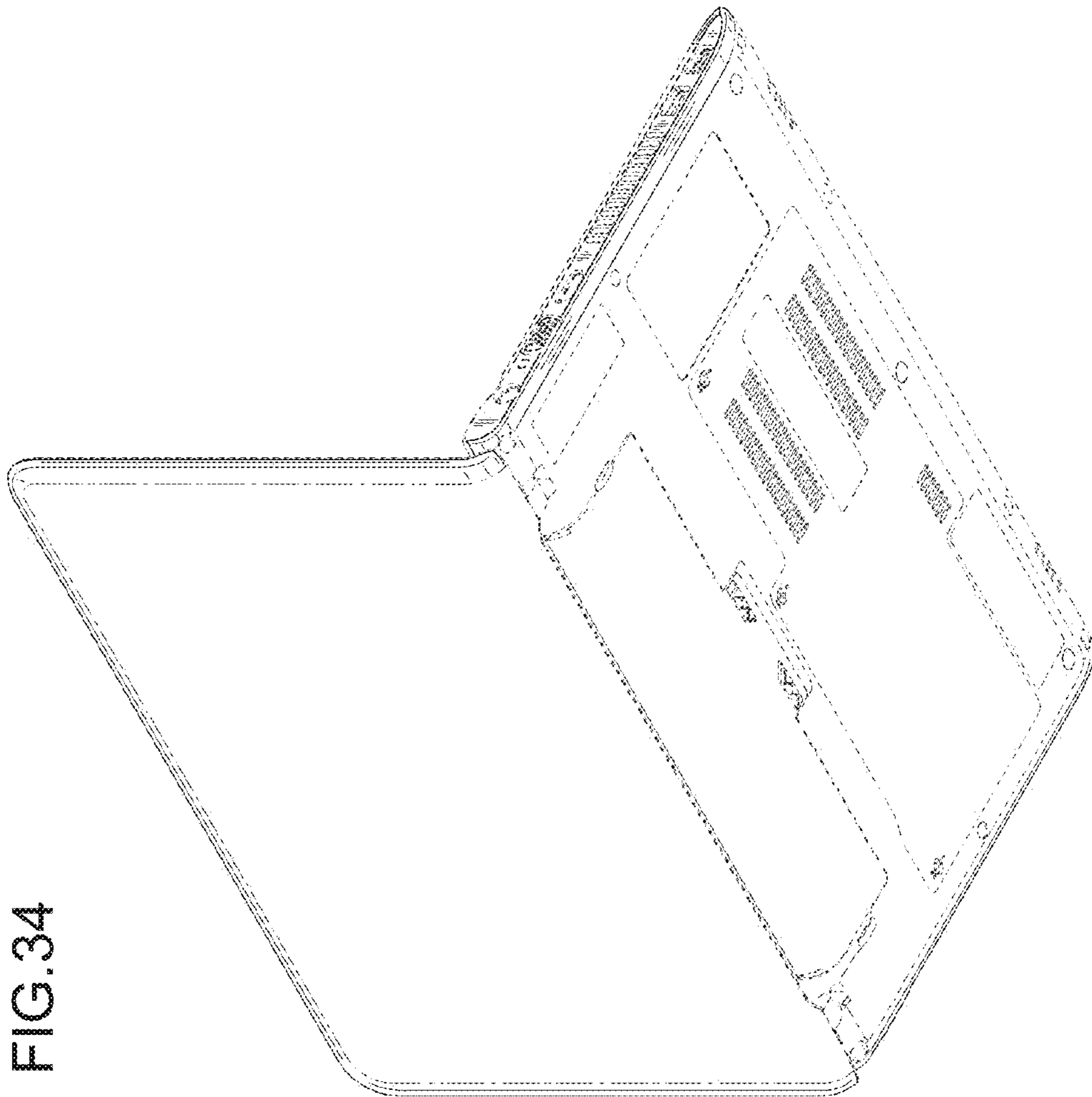


FIG. 34

FIG. 35

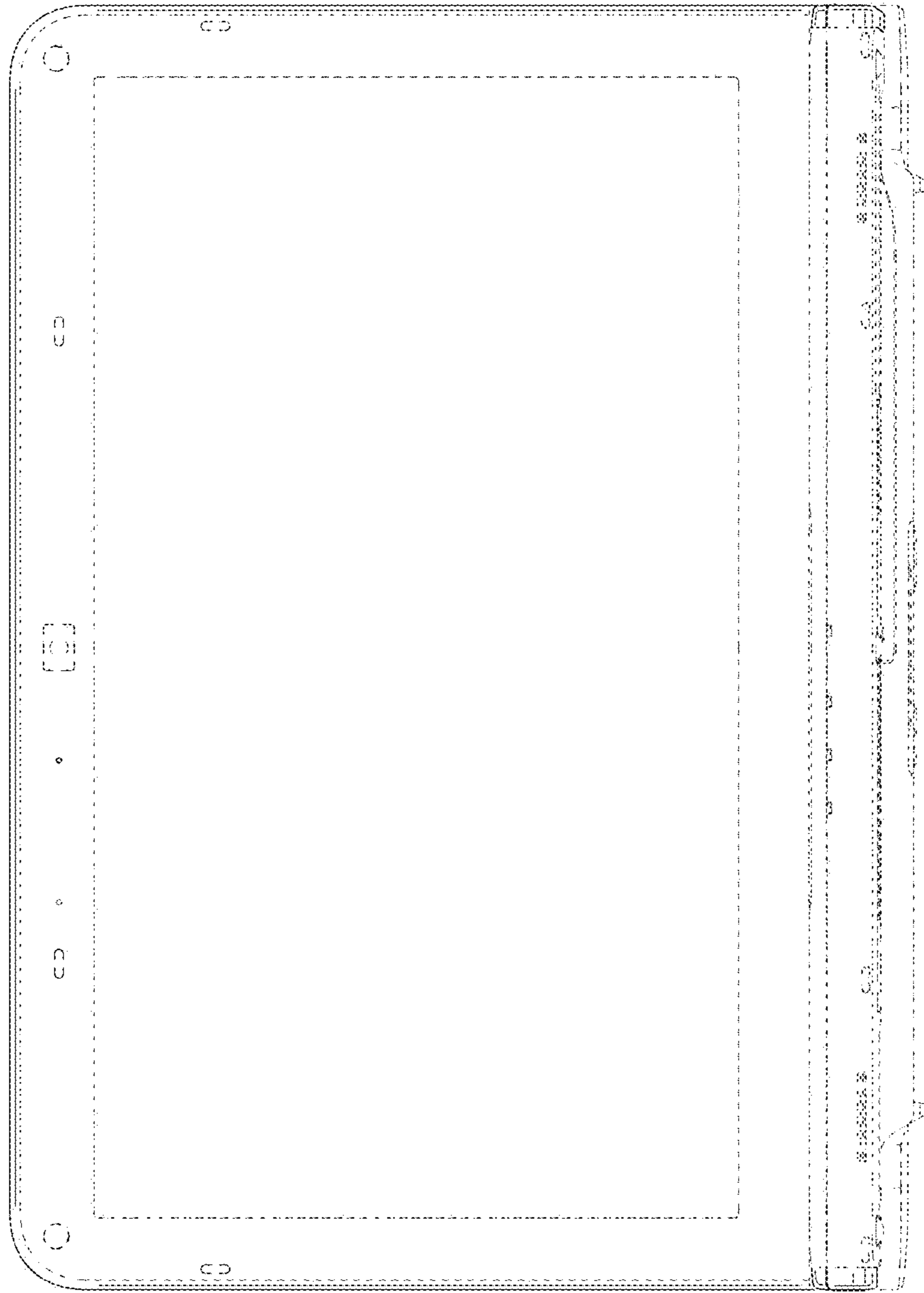


FIG. 36

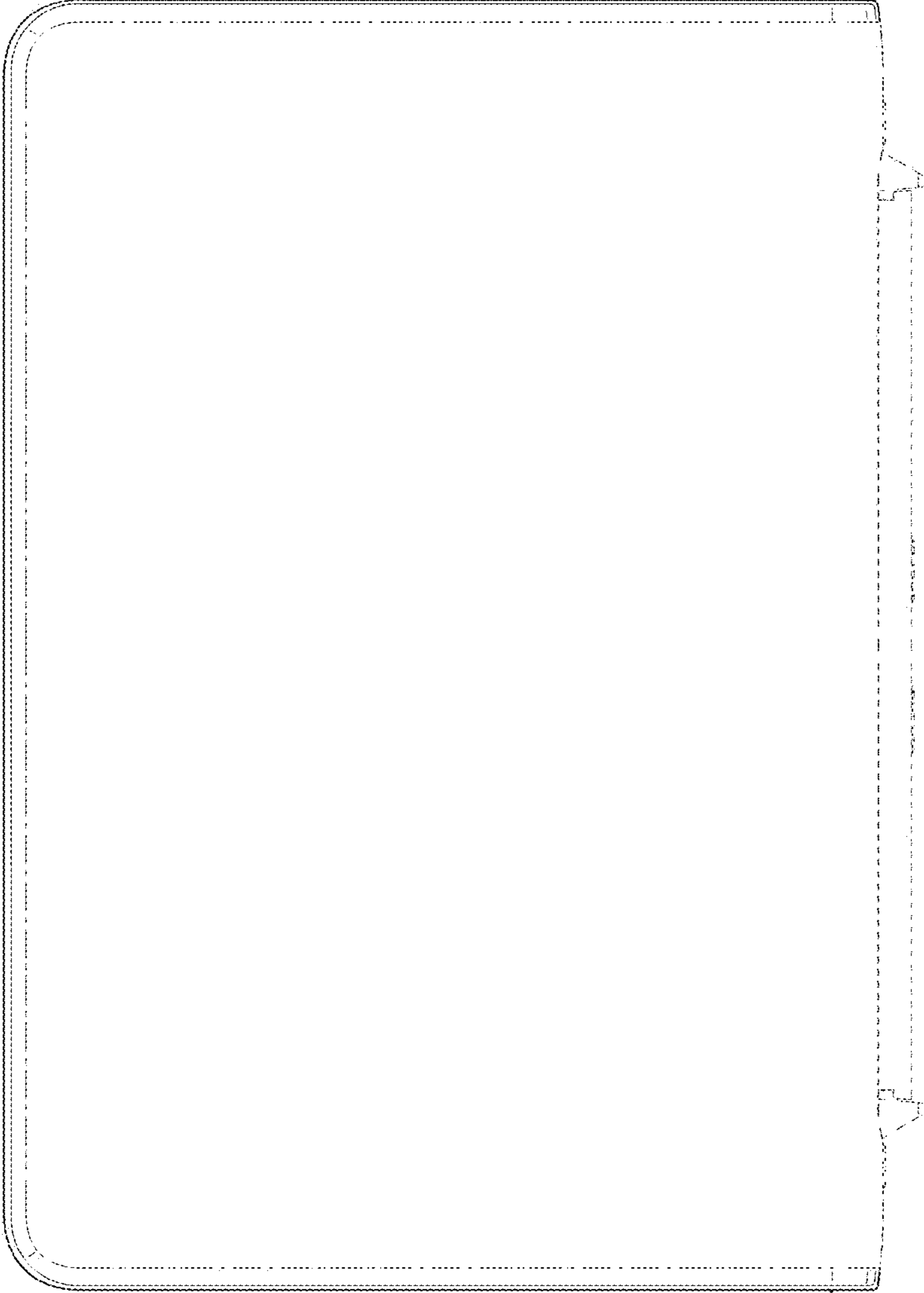


FIG. 37

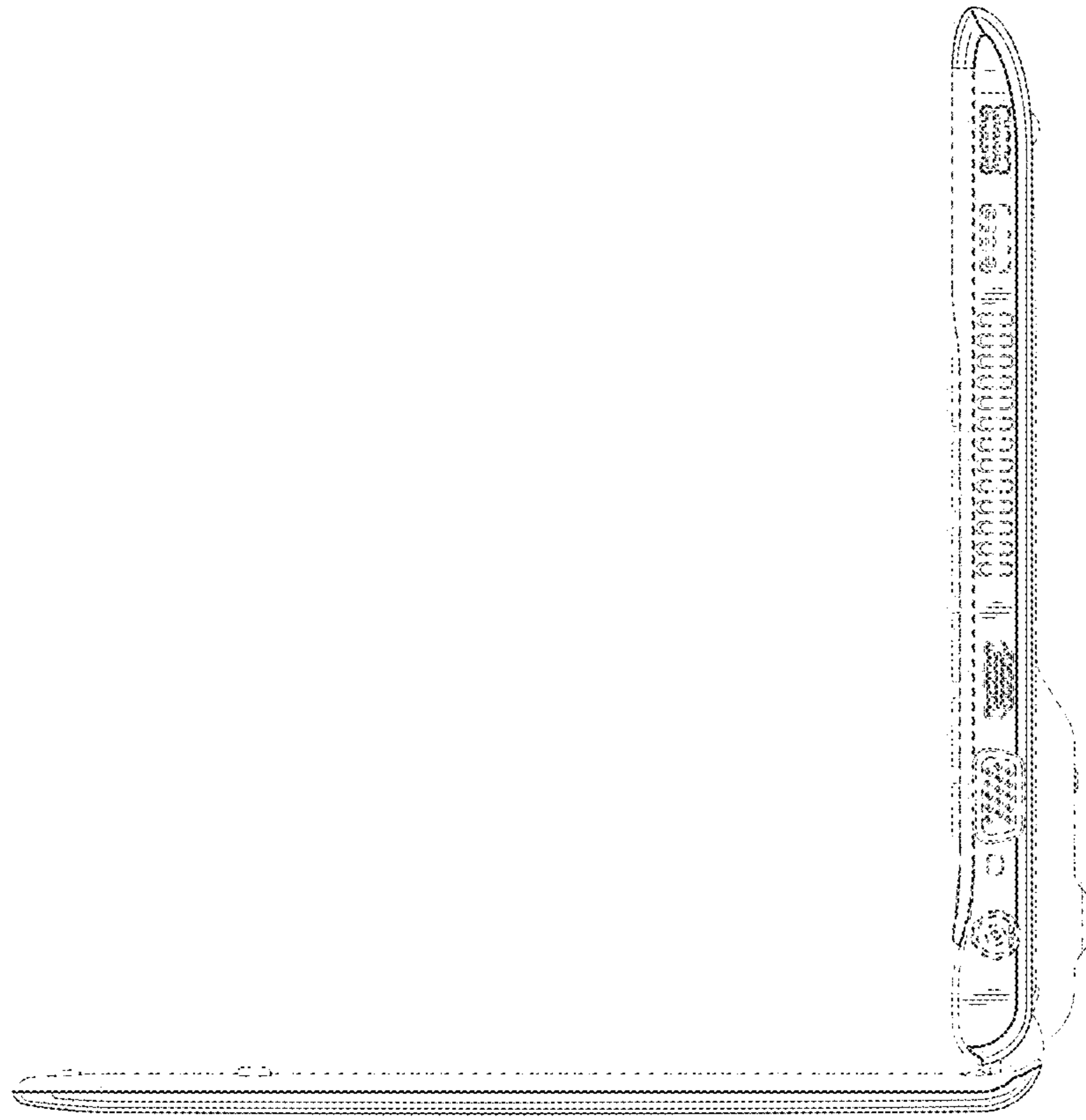


FIG. 38

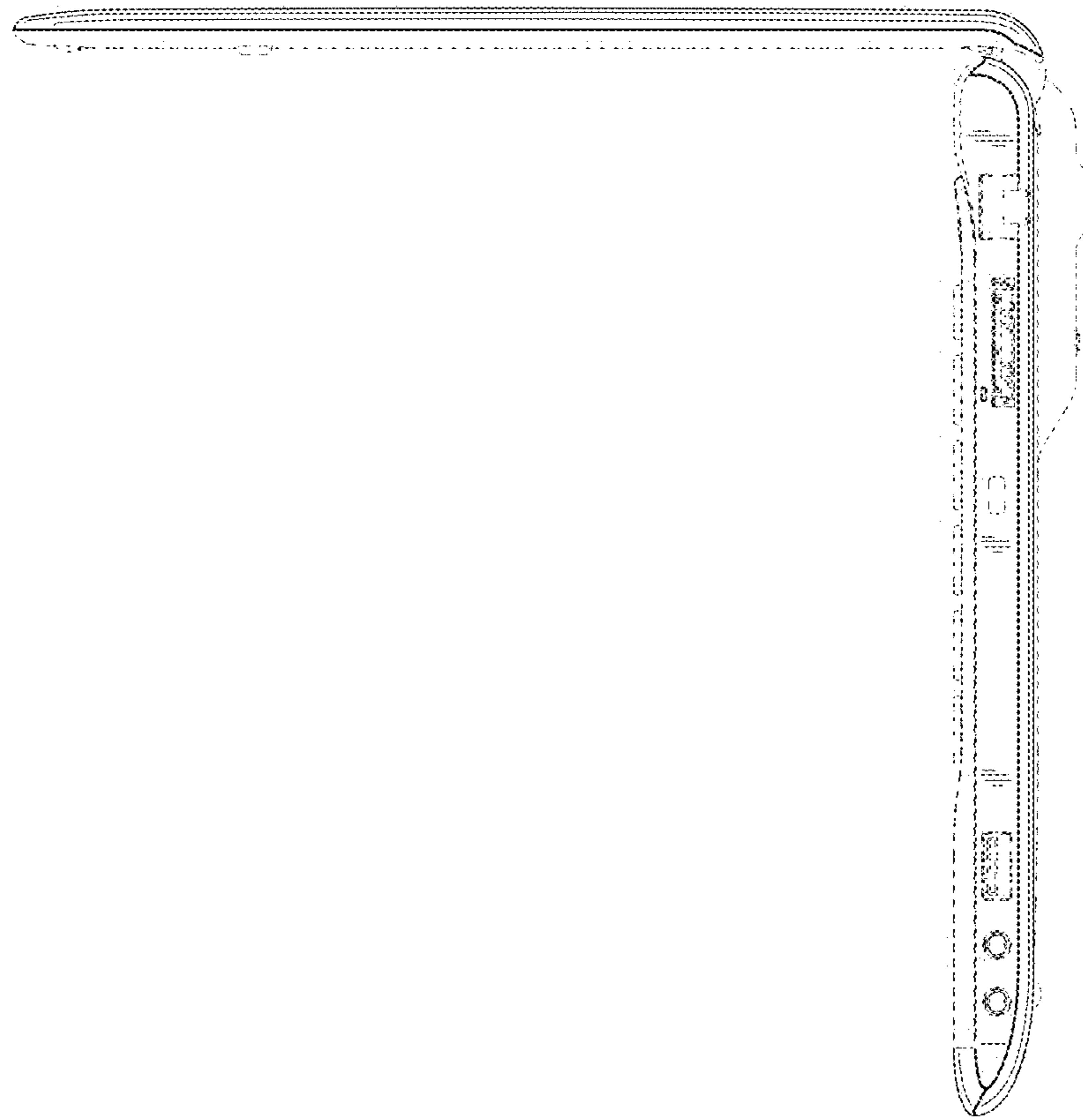


FIG. 39

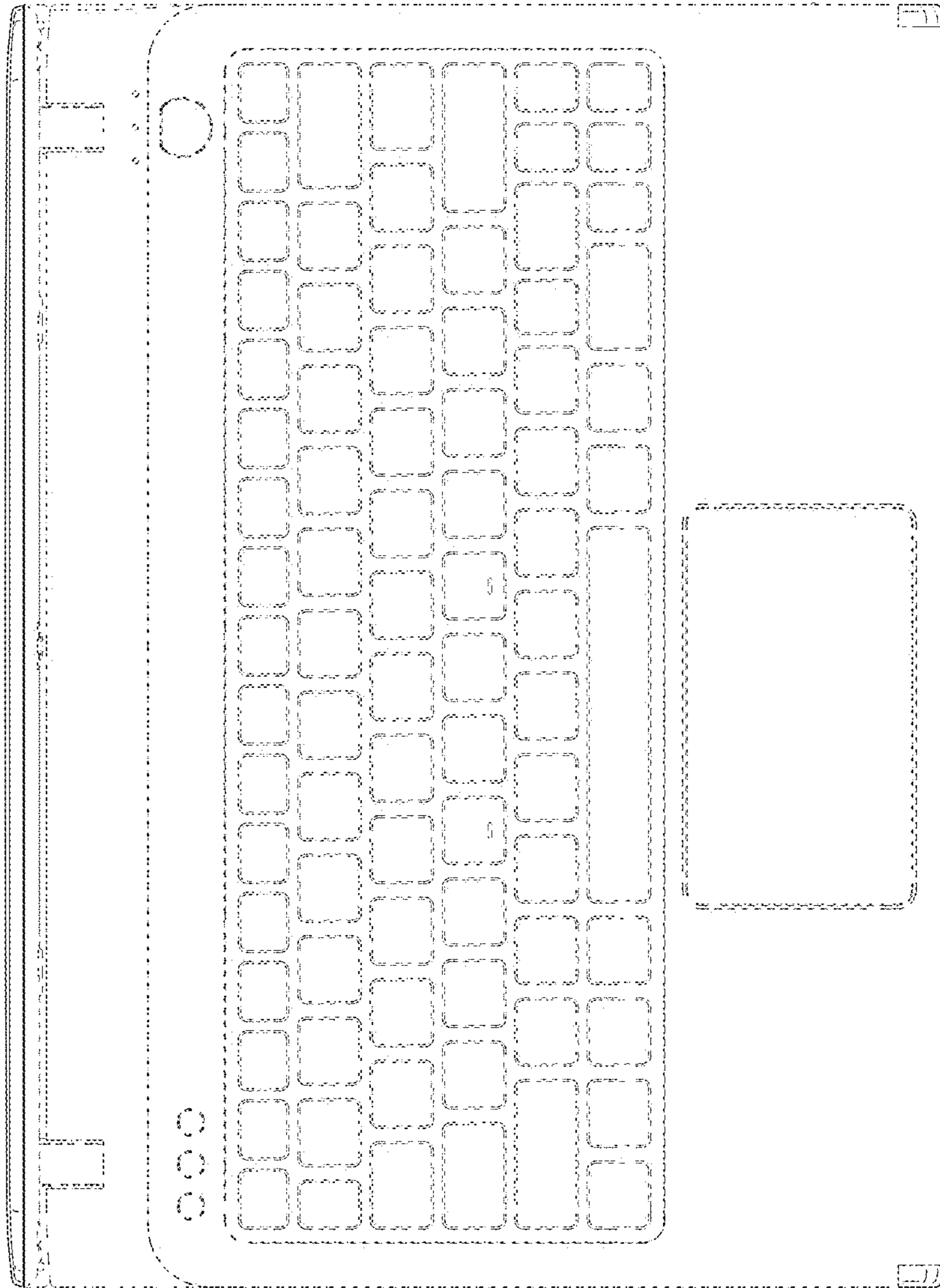
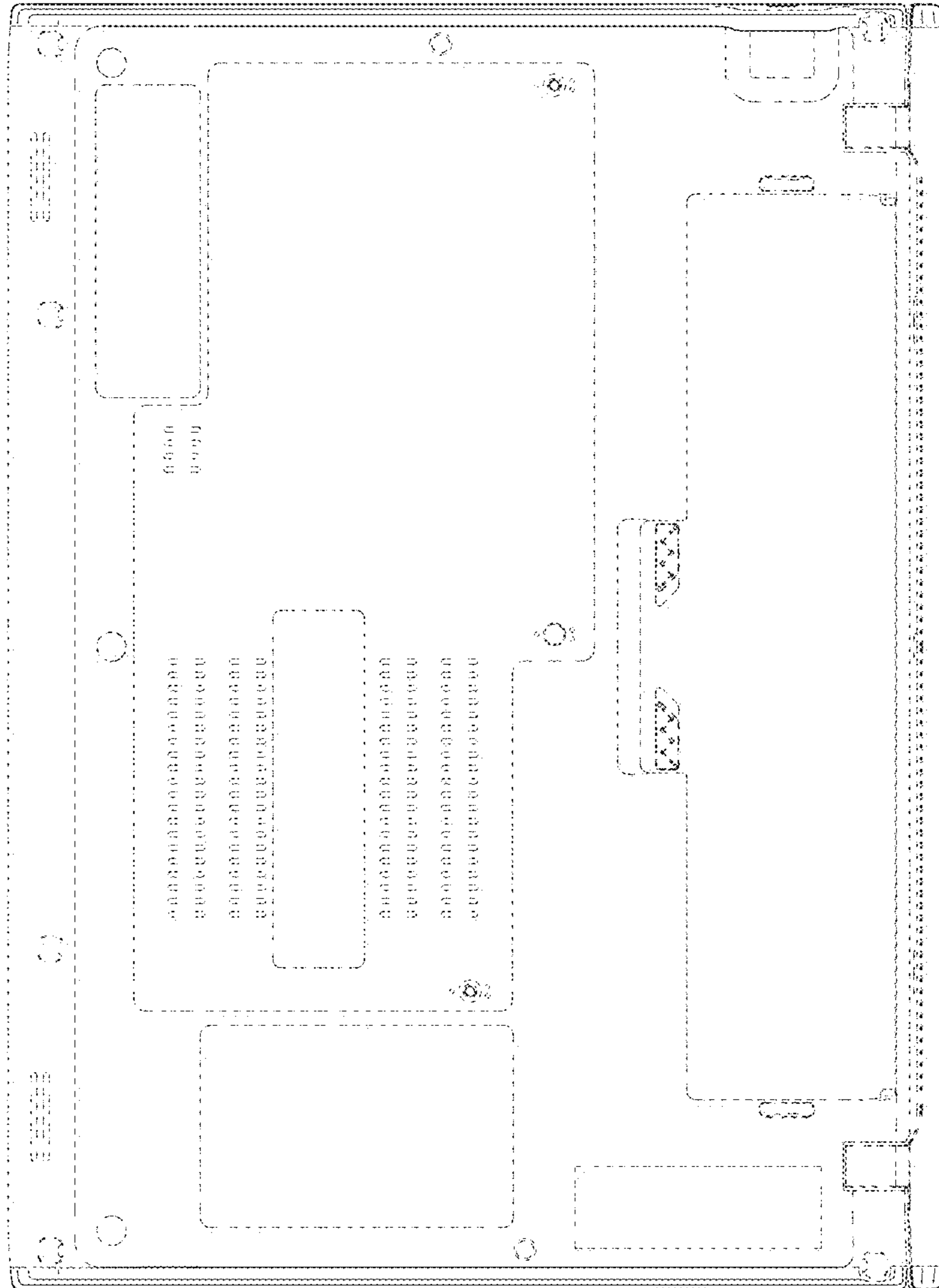


FIG.40





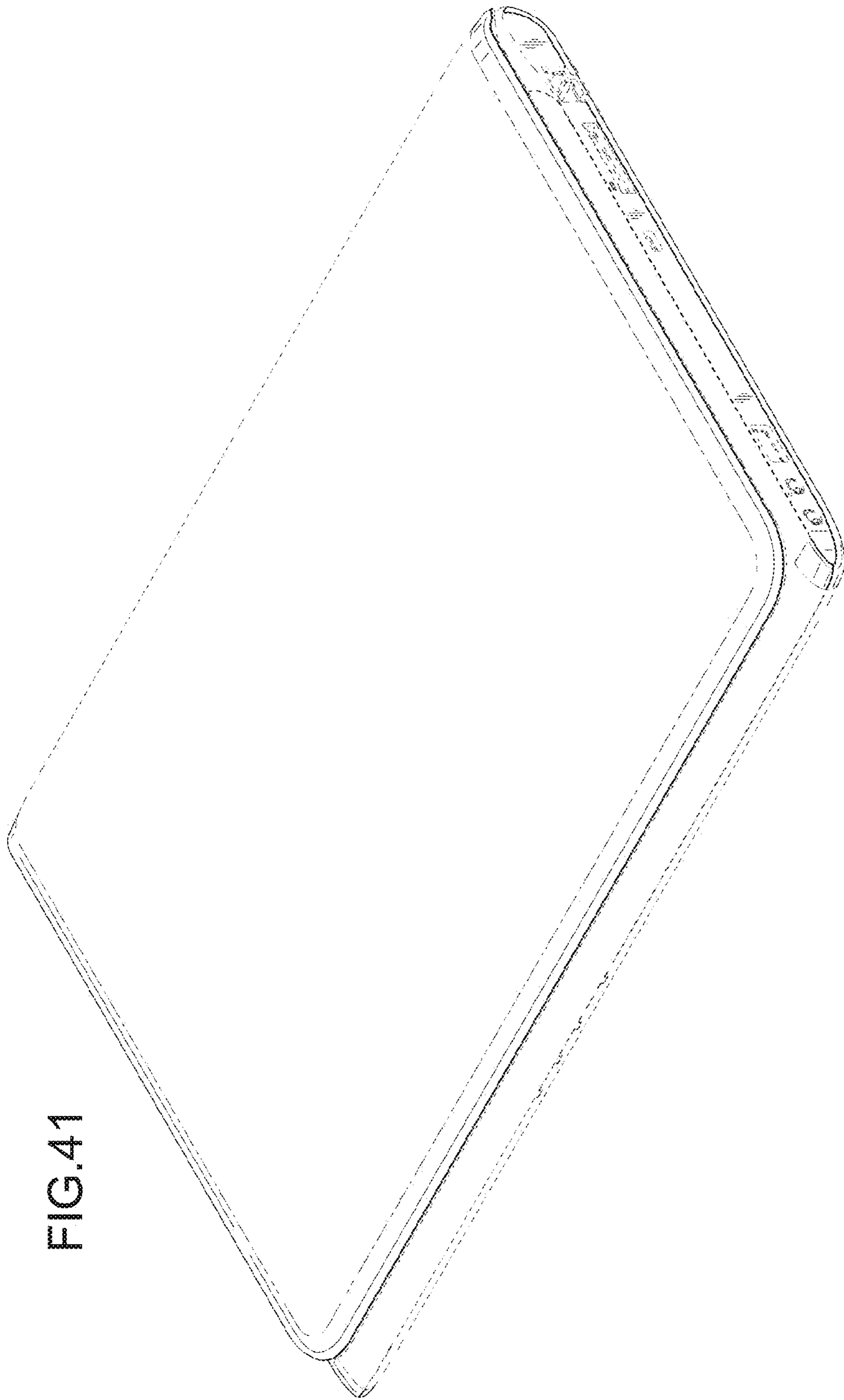


FIG. 41

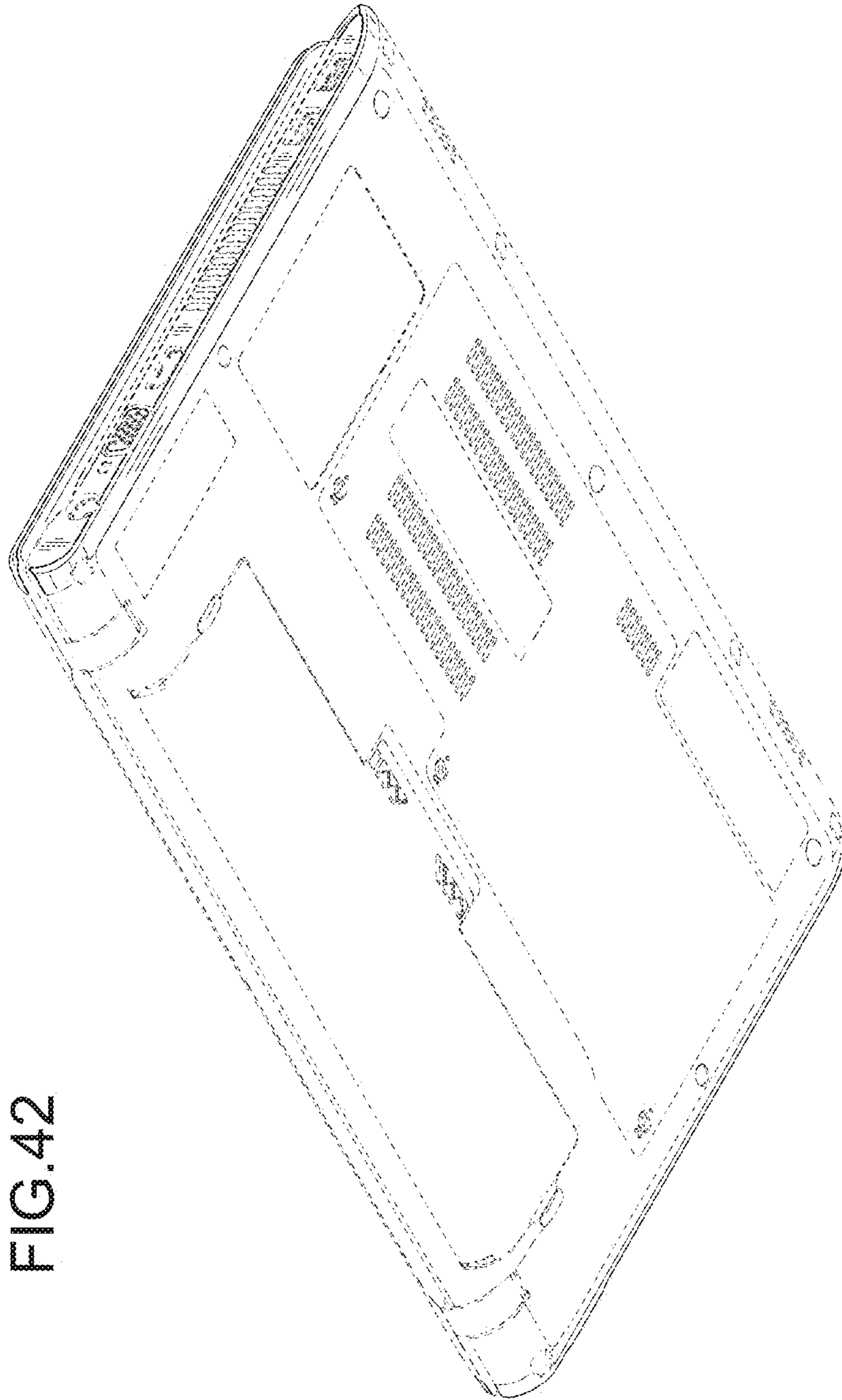


FIG. 42

FIG.43

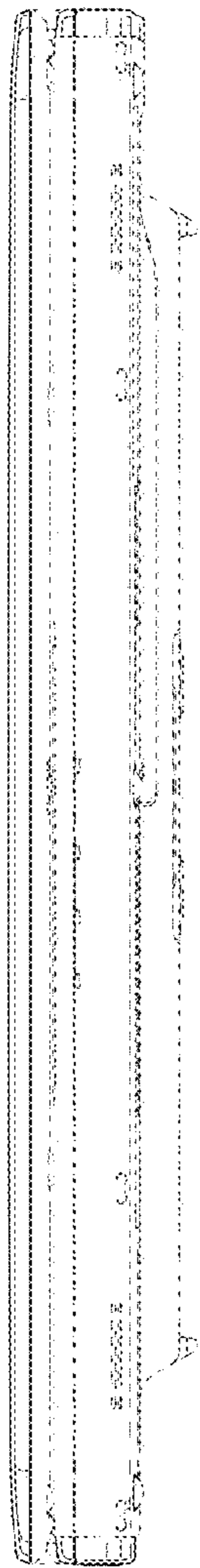


FIG.44

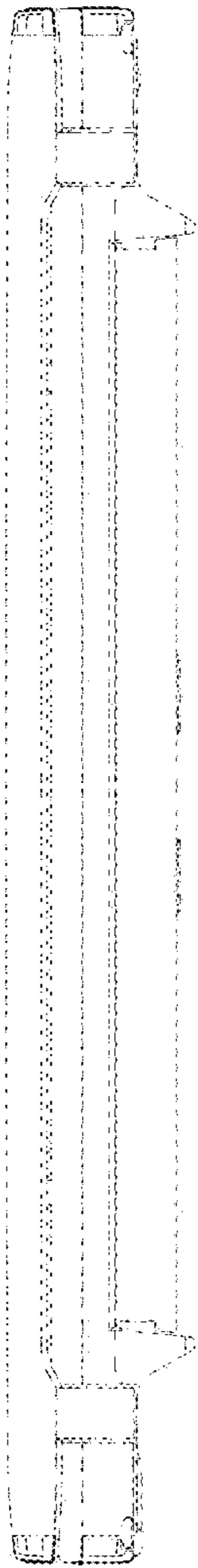


FIG.45

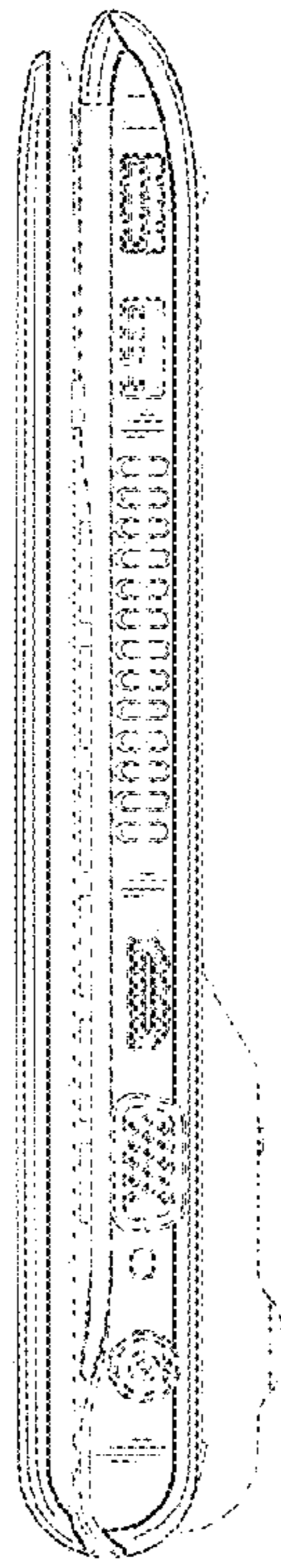


FIG.46

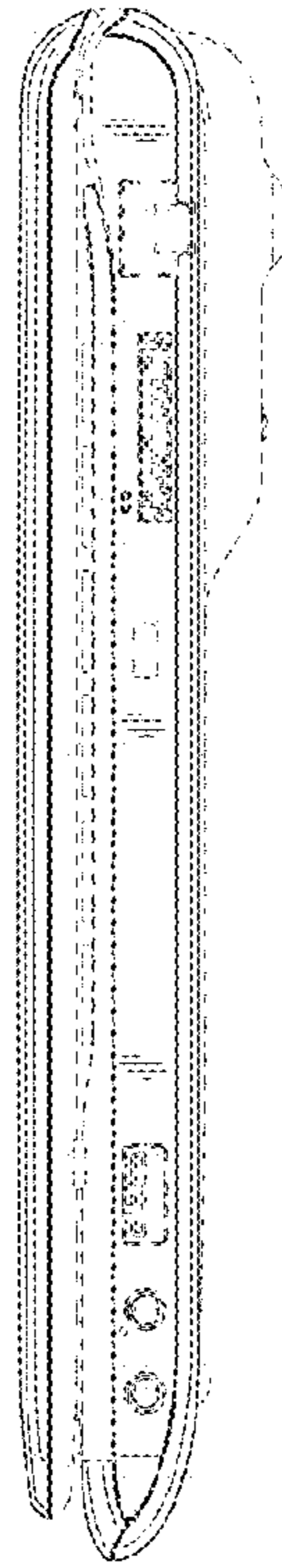


FIG.47

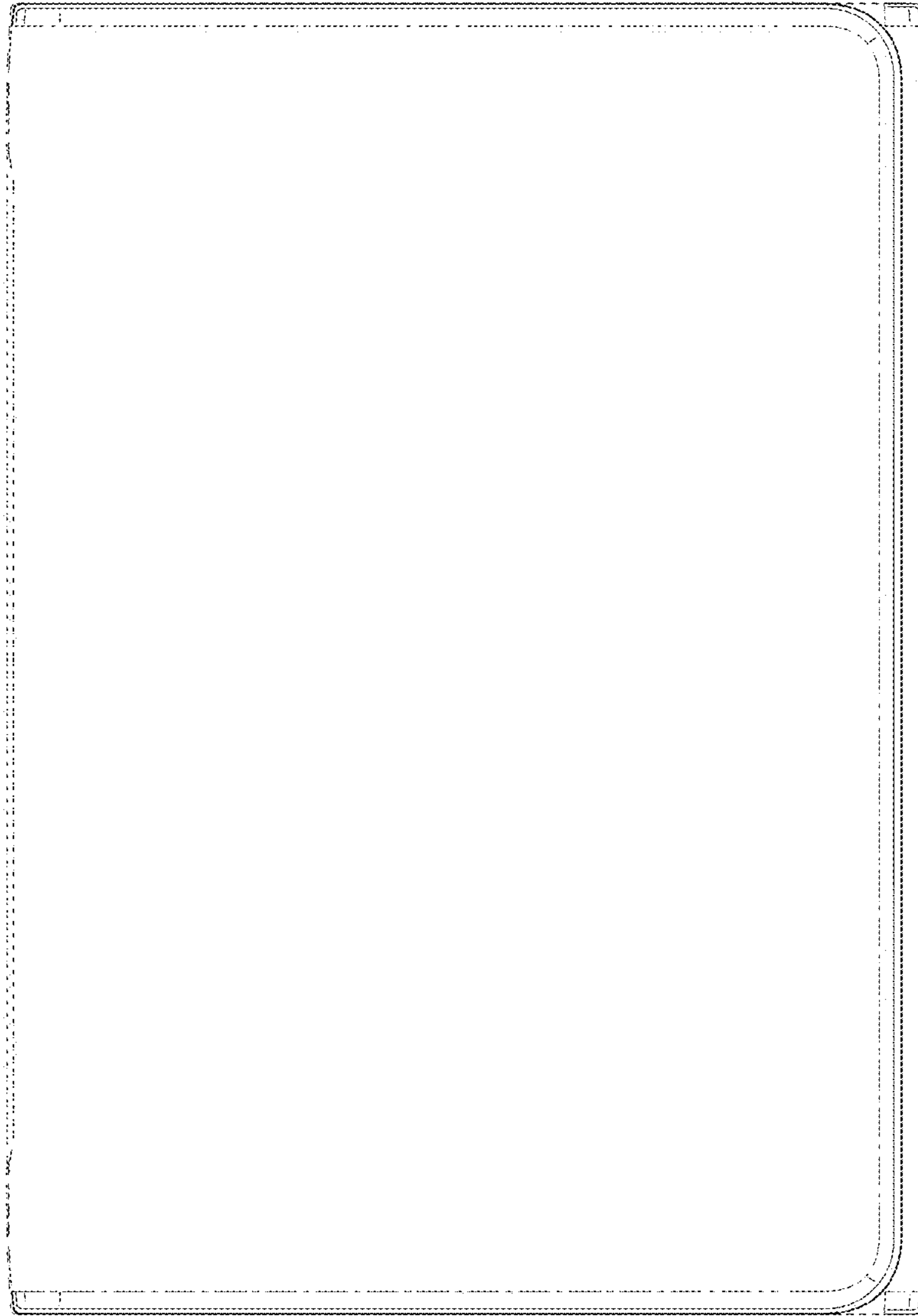


FIG.48

