



US00D683724S

(12) **United States Design Patent**  
**Wada**

(10) **Patent No.:** **US D683,724 S**  
(45) **Date of Patent:** **\*\* Jun. 4, 2013**

(54) **MOUNT FOR ELECTRONIC DEVICE**

(75) **Inventor:** **Takayuki Wada, Tokyo (JP)**

(73) **Assignee:** **Sony Corporation, Tokyo (JP)**

(\*\*) **Term:** **14 Years**

(21) **Appl. No.:** **29/371,674**

(22) **Filed:** **Jun. 29, 2011**

(30) **Foreign Application Priority Data**

Dec. 29, 2010 (CN) ..... 2010 3 0707580

(51) **LOC (9) Cl.** ..... **14-03**

(52) **U.S. Cl.**  
USPC ..... **D14/251**

(58) **Field of Classification Search**  
USPC ..... D14/240, 242, 357, 358, 140-140.2,  
D14/140.5, 155, 137, 138 G, 251-253  
See application file for complete search history.

(56) **References Cited**

**U.S. PATENT DOCUMENTS**

D450,073 S	11/2001	Sumita	
D488,497 S *	4/2004	Suzuki	D16/218
D491,970 S	6/2004	Ikenaga	
D494,990 S *	8/2004	Su et al.	D16/202
D513,027 S *	12/2005	Katayama	D16/202
D520,544 S *	5/2006	Senda	D16/202

D528,579 S *	9/2006	Yasutomi	D16/202
D528,580 S	9/2006	Sumita	
D532,031 S	11/2006	Hayashi	
D540,837 S *	4/2007	Takahashi	D16/202
D547,782 S *	7/2007	Sato	D16/202
D560,523 S *	1/2008	Nakamura	D10/74
D566,590 S	4/2008	Stevens et al.	
D567,835 S *	4/2008	Sumita	D16/206
D629,315 S	12/2010	McAlpine et al.	
D630,668 S *	1/2011	Miyashita	D16/243

\* cited by examiner

*Primary Examiner* — Raphael Barkai

*Assistant Examiner* — Randall Gholson

(74) *Attorney, Agent, or Firm* — Rader, Fishman & Grauer PLLC

(57) **CLAIM**

The ornamental design for a mount for electronic device, as shown and described.

**DESCRIPTION**

FIG. 1 is a perspective view of a first embodiment of a speaker showing our new design;

FIG. 2 is a front elevational view thereof;

FIG. 3 is a left side elevational view thereof;

FIG. 4 is a right side elevational view thereof; and,

FIG. 5 is a top plan view thereof.

Portions in broken lines are for illustrative purpose only and form no part of the claimed design.

**1 Claim, 5 Drawing Sheets**

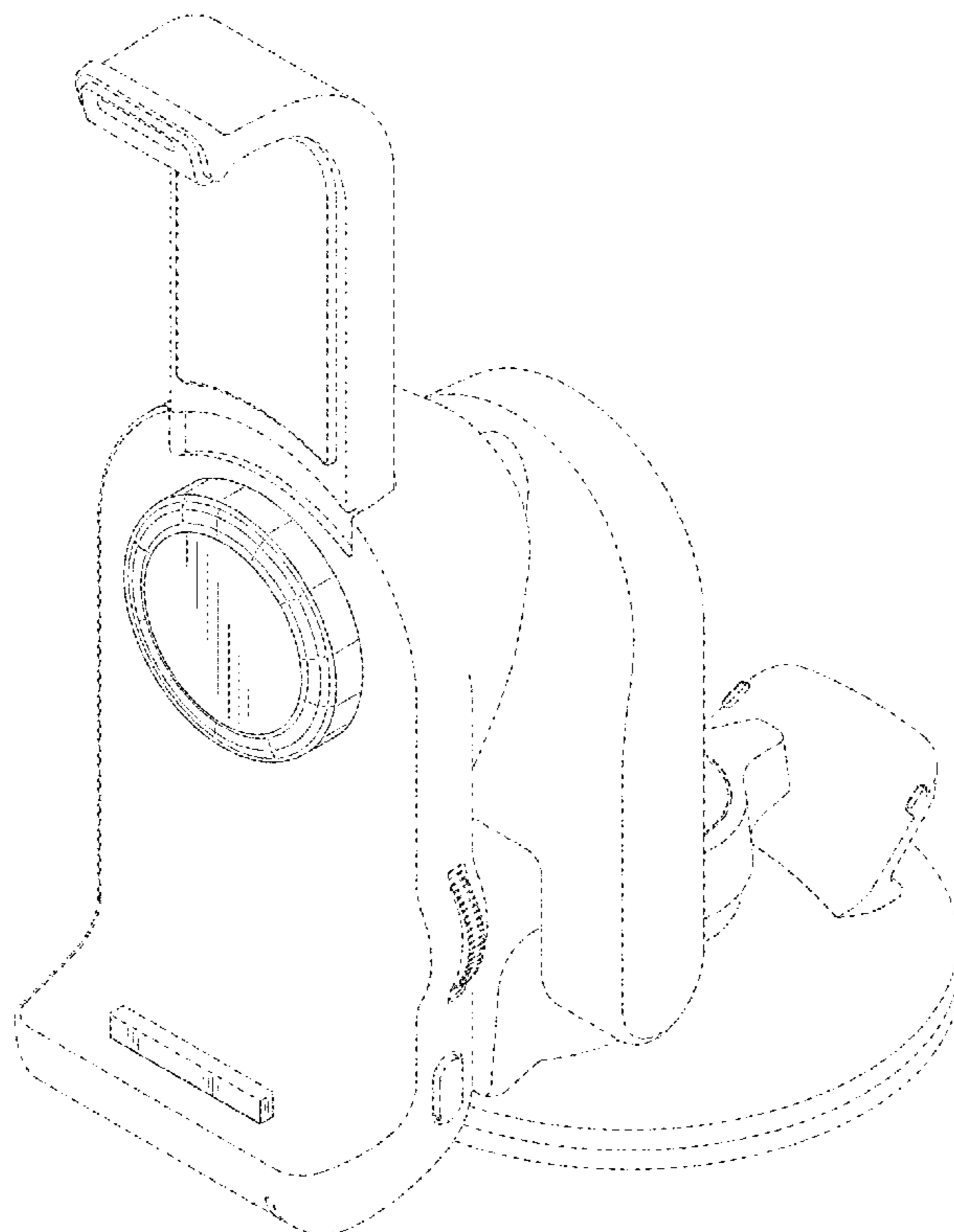


FIG. 1

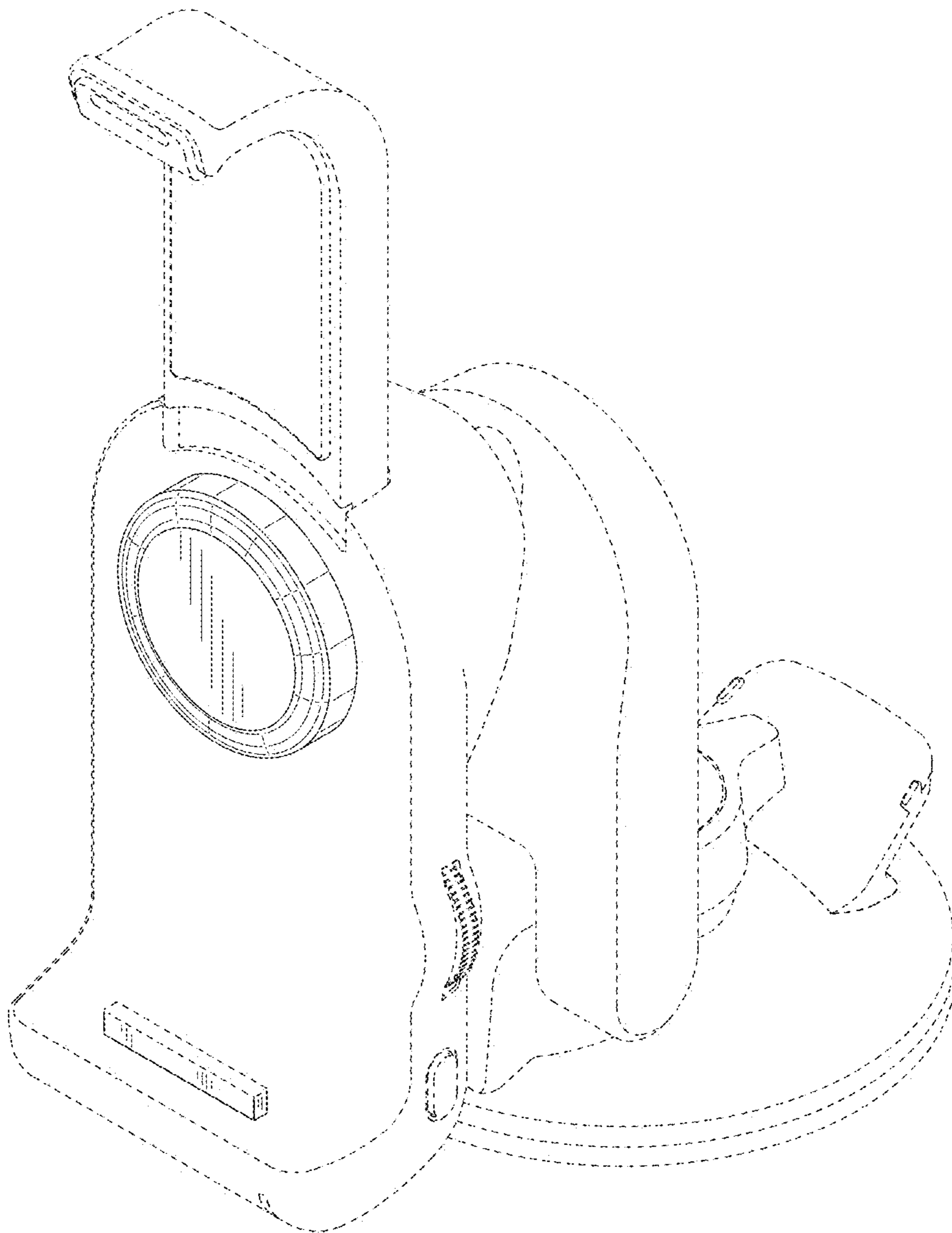


FIG.2

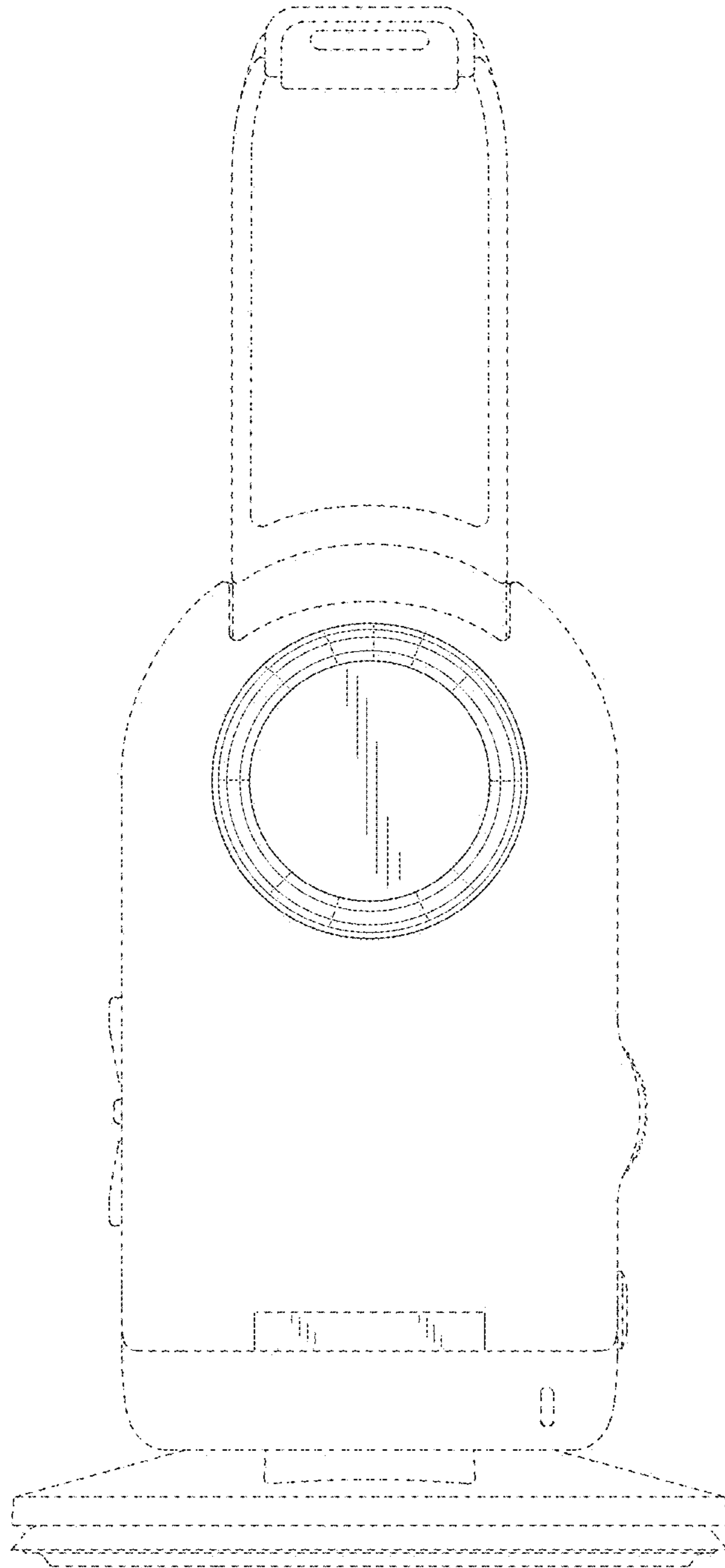


FIG.3

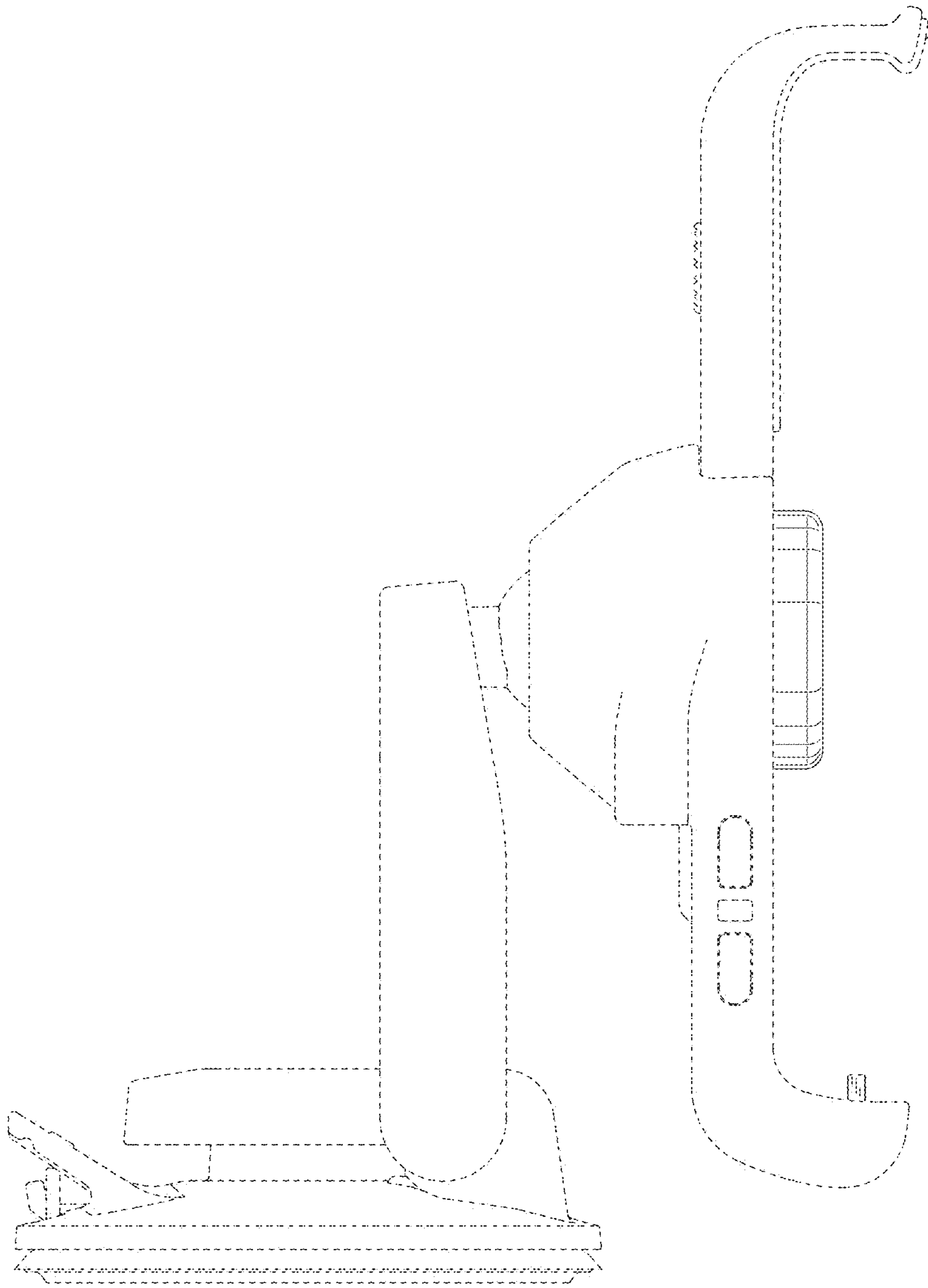


FIG.4

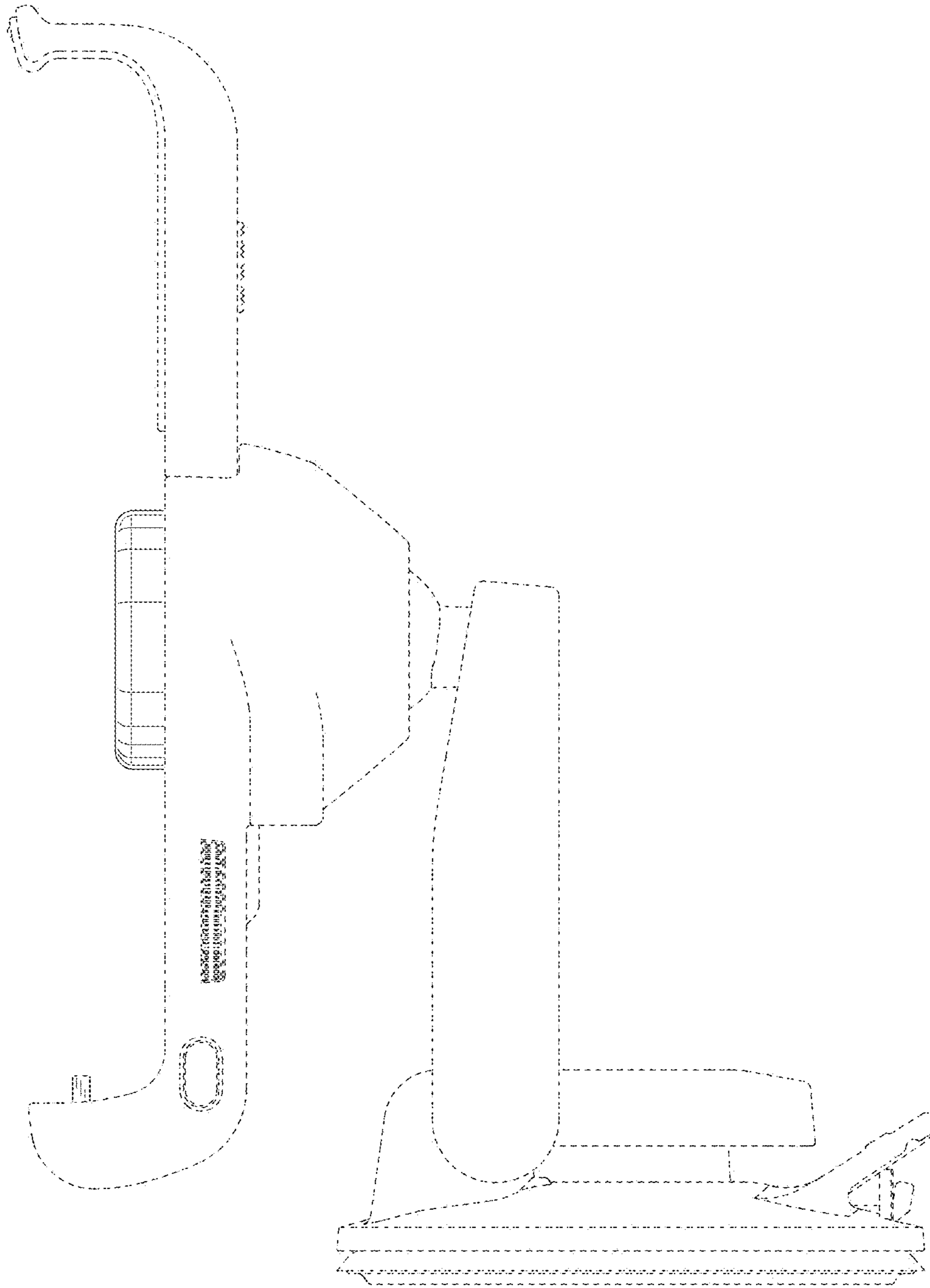


FIG.5

