



US00D683720S

(12) **United States Design Patent**  
**Quinlan et al.**

(10) **Patent No.:** **US D683,720 S**  
(45) **Date of Patent:** **\*\* Jun. 4, 2013**

- (54) **ANTENNA**
- (75) Inventors: **Ronan Quinlan**, Taoyuan (TW);  
**Dermot O'Shea**, County Wexford (IE)
- (73) Assignee: **Taoglas Group Holdings**, Enniscorthy,  
County Wexford (IE)
- (\*\*) **Term:** **14 Years**
- (21) Appl. No.: **29/385,405**
- (22) Filed: **Feb. 14, 2011**
- (51) **LOC (9) Cl.** ..... **14-03**
- (52) **U.S. Cl.**  
USPC ..... **D14/230**
- (58) **Field of Classification Search**  
USPC ..... D14/230-238, 299; 343/700 R, 840,  
343/841, 908; 455/3.02, FOR. 215, 575.2  
See application file for complete search history.

D535,647 S *	1/2007	Hall et al. ....	D14/230
D536,695 S *	2/2007	Griffin .....	D14/230
D571,793 S *	6/2008	Wu et al. ....	D14/230
D599,753 S *	9/2009	Cho et al. ....	D14/125
D606,052 S *	12/2009	Noro et al. ....	D14/230
D610,102 S *	2/2010	Cho et al. ....	D14/125
D614,610 S *	4/2010	Sala et al. ....	D14/230
D635,535 S *	4/2011	Cho et al. ....	D14/125
D641,365 S *	7/2011	Lee et al. ....	D14/368
D648,712 S *	11/2011	Brickstad .....	D14/240
D649,151 S *	11/2011	Ramones et al. ....	D14/358
D655,720 S *	3/2012	Andre et al. ....	D14/496
D659,692 S *	5/2012	Jung et al. ....	D14/341
D662,905 S *	7/2012	Bang et al. ....	D14/125
D664,127 S *	7/2012	Yang .....	D14/230

\* cited by examiner

*Primary Examiner* — John Windmuller

(74) *Attorney, Agent, or Firm* — Greenberg Traurig LLP;  
Cecily Anne O'Regan

(57) **CLAIM**

The ornamental design for an antenna, as shown and described.

(56) **References Cited**

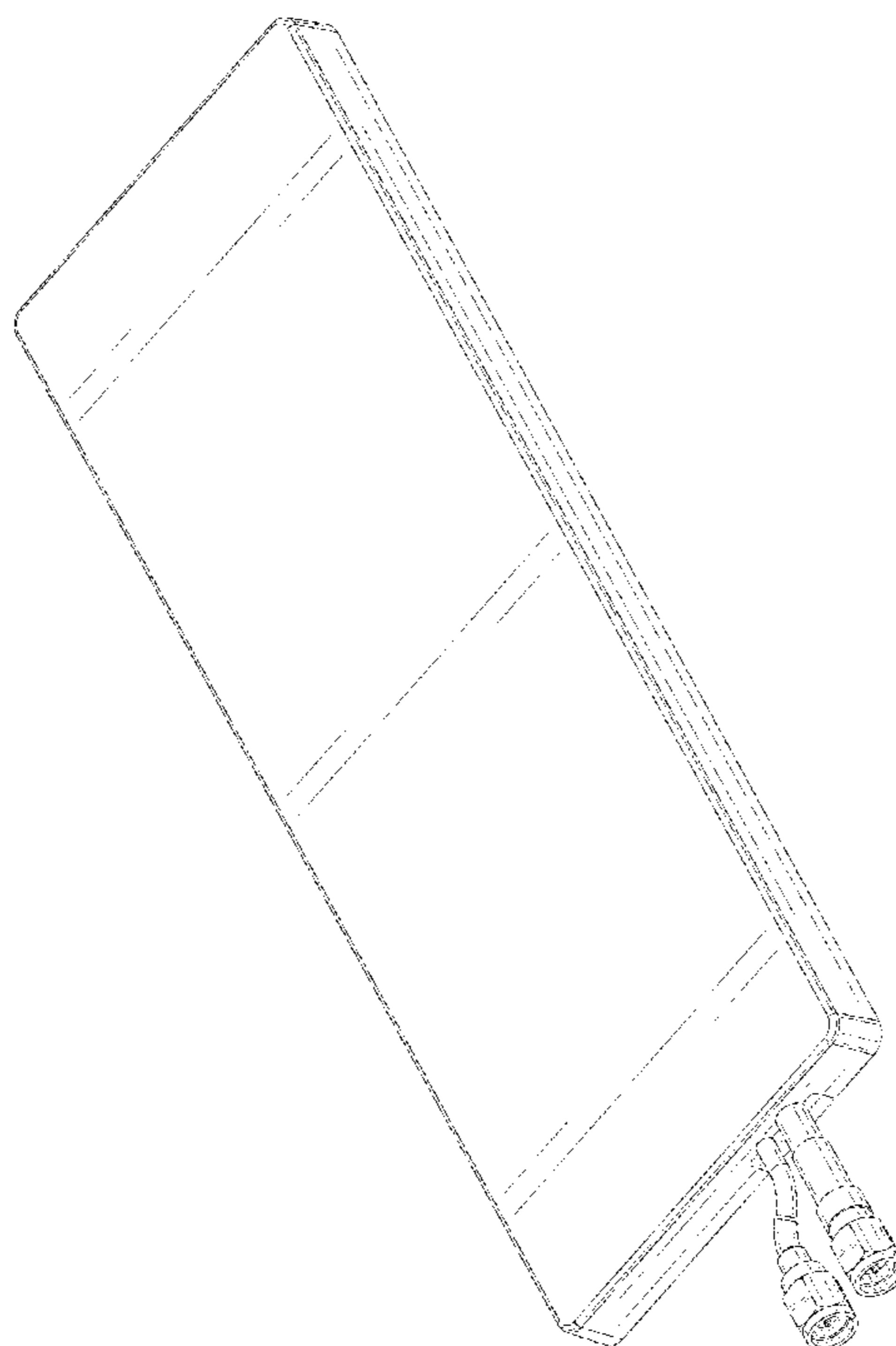
**U.S. PATENT DOCUMENTS**

D217,256 S *	4/1970	Kahn .....	D14/230
D318,673 S *	7/1991	Terk .....	D14/230
D345,564 S *	3/1994	Kadono et al. ....	D14/230
D350,963 S *	9/1994	Witzky .....	D14/230
D379,356 S *	5/1997	Liu et al. ....	D14/230
D405,090 S *	2/1999	Guttadauro .....	D14/230
D440,960 S *	4/2001	Barber .....	D14/230
D465,479 S *	11/2002	Tourres .....	D14/230
D516,443 S *	3/2006	Gotou et al. ....	D10/65
D531,172 S *	10/2006	Noro et al. ....	D14/230
D531,173 S *	10/2006	Aizawa et al. ....	D14/230
D533,546 S *	12/2006	Iizuka et al. ....	D14/230

**DESCRIPTION**

FIG. 1 is a perspective view of an antenna;  
FIG. 2 is a front view of an antenna;  
FIG. 3 is a back view of an antenna;  
FIG. 4 is a left side view of an antenna;  
FIG. 5 is a right side view of an antenna;  
FIG. 6 is a top view of an antenna; and,  
FIG. 7 is a bottom view of an antenna.

**1 Claim, 5 Drawing Sheets**



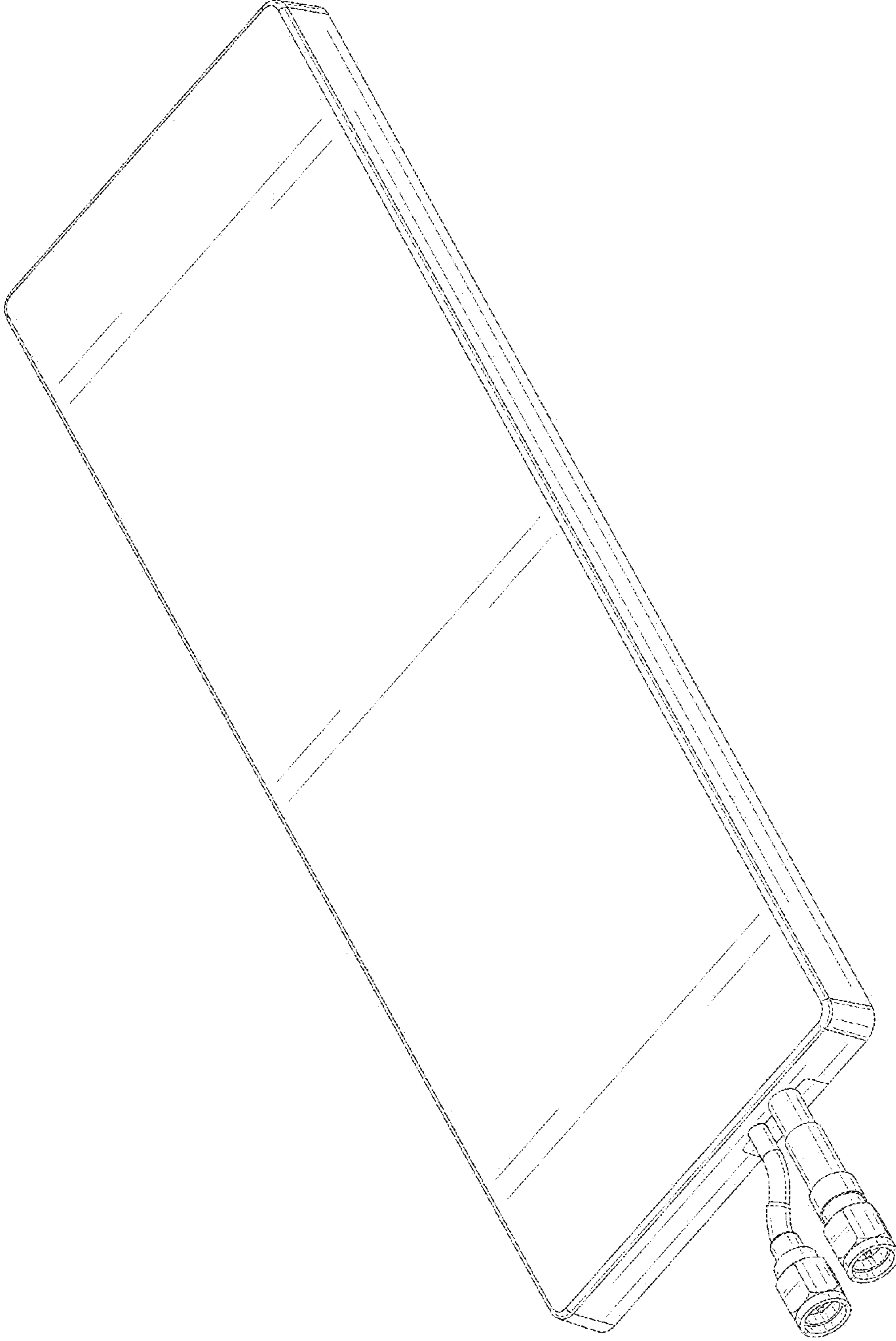


FIG. 1

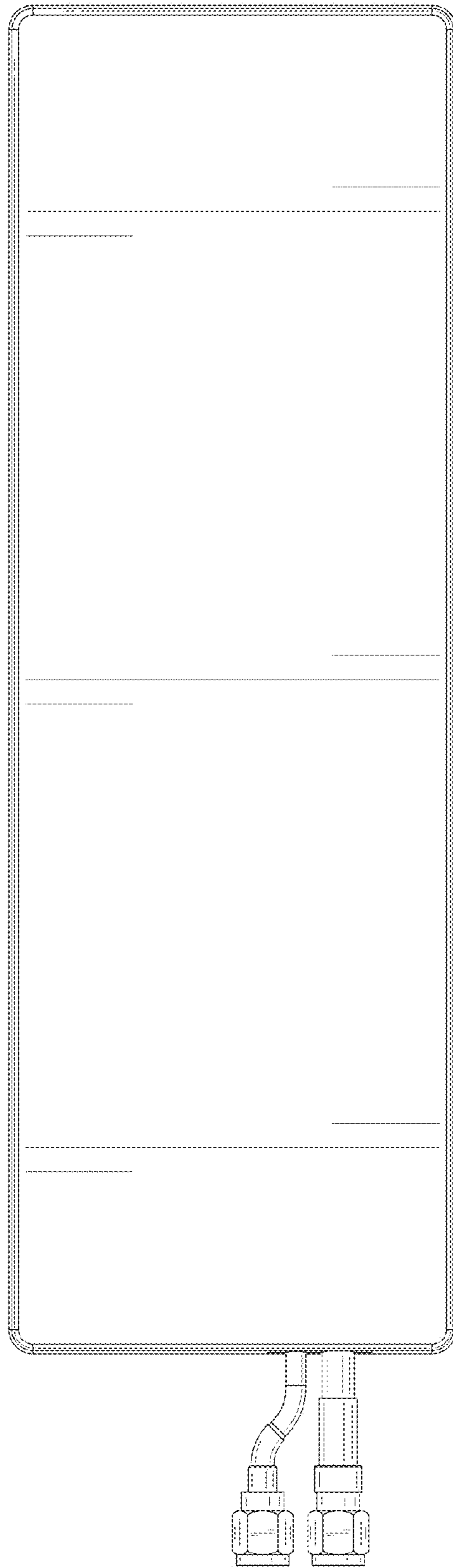


FIG. 2

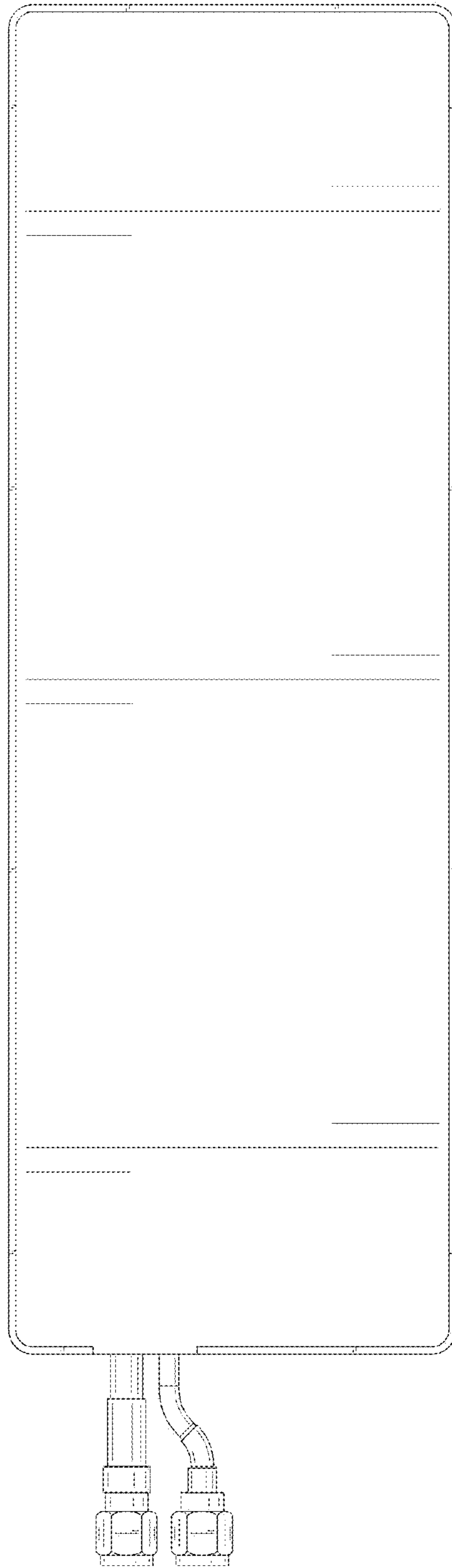


FIG. 3

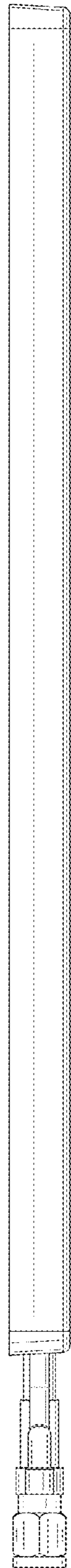


FIG. 4

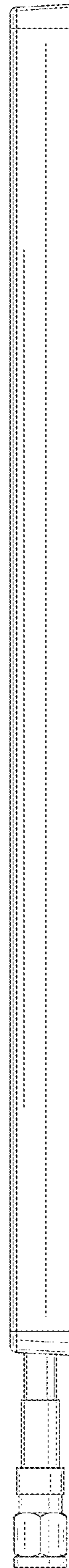


FIG. 5

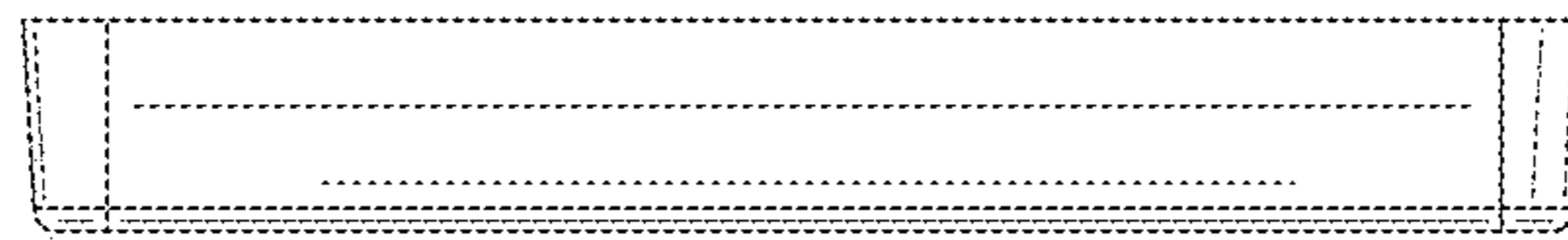


FIG. 6

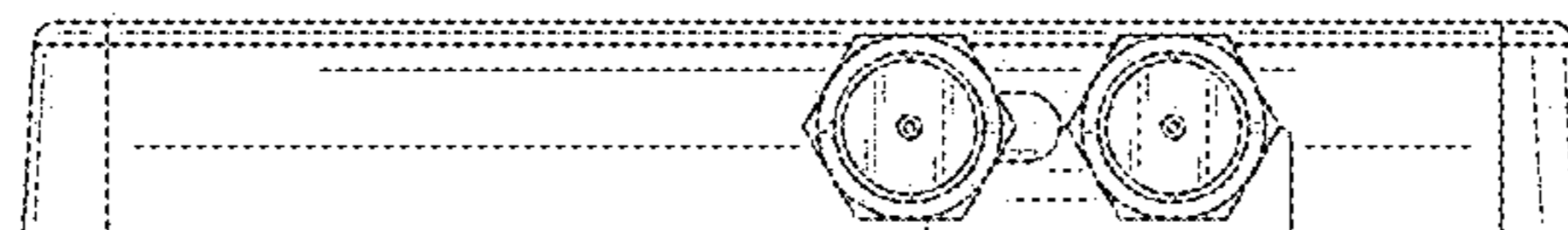


FIG. 7