



US00D683717S

(12) **United States Design Patent**
Kelly et al.

(10) **Patent No.:** **US D683,717 S**
(45) **Date of Patent:** **** Jun. 4, 2013**

- (54) **HEADPHONE**
- (71) Applicant: **Skullcandy, Inc.**, Park City, UT (US)
- (72) Inventors: **Peter M. Kelly**, Park City, UT (US);
Daniel A. Levine, Newport Beach, CA (US);
Donald C. Stiff, Salt Lake City, UT (US)
- (73) Assignee: **Skullcandy, Inc.**, Park City, UT (US)
- (**) Term: **14 Years**
- (21) Appl. No.: **29/438,437**
- (22) Filed: **Nov. 29, 2012**

6,081,604 A *	6/2000	Hikichi et al.	381/371
D448,750 S	10/2001	Weikel et al.	
D491,163 S *	6/2004	Green	D14/205
D512,708 S *	12/2005	Harris et al.	D14/205
D541,255 S *	4/2007	Taylor et al.	D14/205
D573,581 S *	7/2008	Gondo et al.	D14/205
D581,394 S *	11/2008	Lee	D14/205
D585,871 S *	2/2009	Lee	D14/205
D593,995 S	6/2009	Shimizu	
D594,847 S	6/2009	Suzuki	
D603,370 S	11/2009	Suzuki	
D616,865 S	6/2010	Marchand et al.	
D633,896 S *	3/2011	Kondo et al.	D14/205
D637,579 S *	5/2011	Hamaura et al.	D14/205
D639,776 S *	6/2011	Arimoto	D14/205
D642,554 S *	8/2011	Schaal et al.	D14/205
D652,017 S	1/2012	Groves et al.	
D652,406 S	1/2012	Lee et al.	
D657,776 S	4/2012	Lee et al.	

(Continued)

Related U.S. Application Data

- (63) Continuation of application No. 29/403,735, filed on Oct. 10, 2011, now Pat. No. Des. 674,372.
- (51) **LOC (9) Cl.** **14-01**
- (52) **U.S. Cl.**
USPC **D14/205**
- (58) **Field of Classification Search**
USPC D14/205
See application file for complete search history.

Primary Examiner — Paula Greene

(74) *Attorney, Agent, or Firm* — TraskBritt, P.C.

(57) **CLAIM**

The ornamental designs for a headphone, as shown and described.

DESCRIPTION

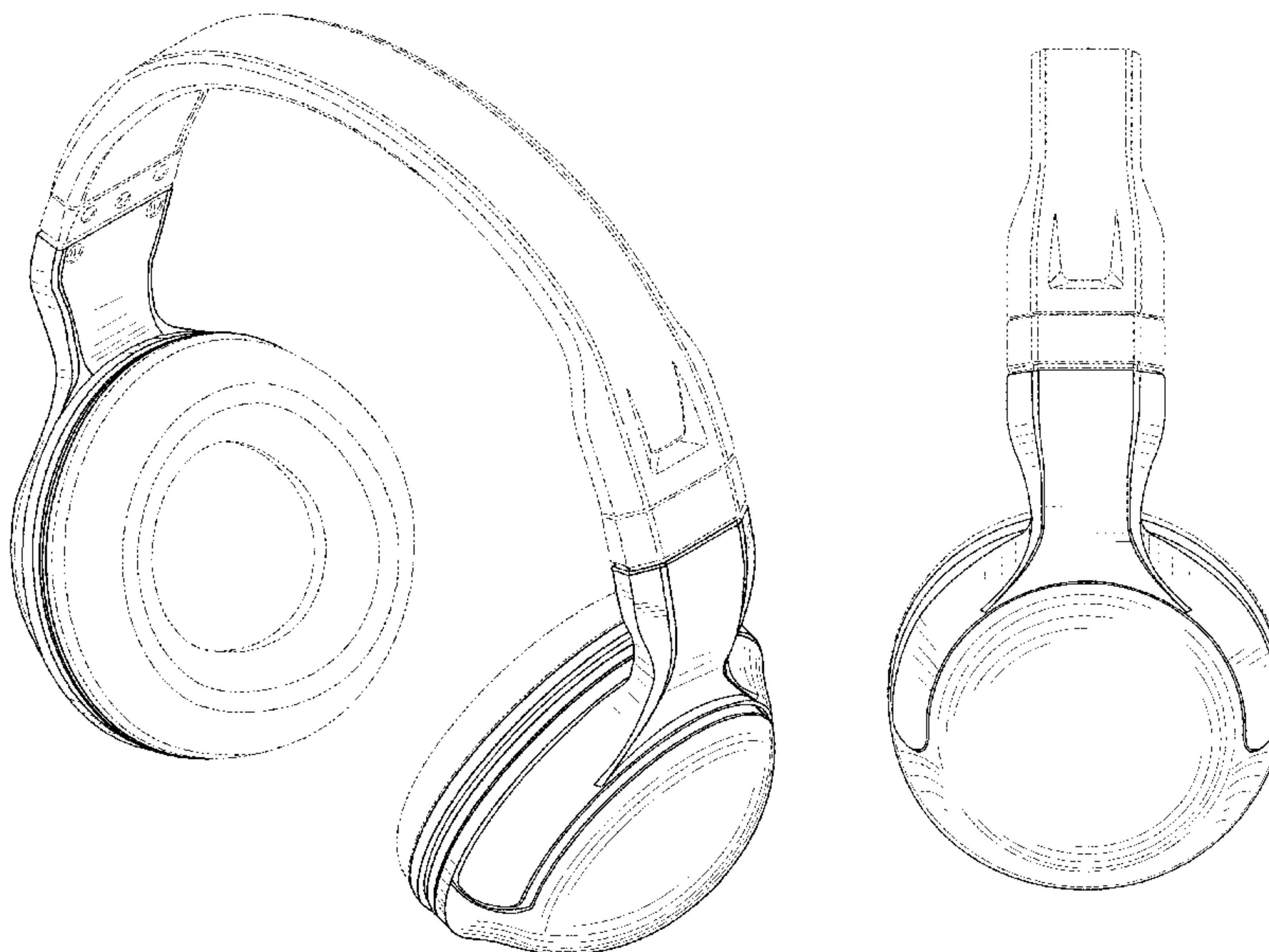
FIG. 1 is a perspective view of an embodiment of a headphone;
 FIG. 2 is a top view of the headphone shown in FIG. 1;
 FIG. 3 is a bottom view of the headphone shown in FIG. 1;
 FIG. 4 is a right side view of the headphone shown in FIG. 1;
 FIG. 5 is a left side view of the headphone shown in FIG. 1;
 FIG. 6 is a front view of the headphone shown in FIG. 1; and,
 FIG. 7 is a rear view of the headphone shown in FIG. 1.
 The broken lines form no part of the claimed design.

1 Claim, 6 Drawing Sheets

(56) **References Cited**

U.S. PATENT DOCUMENTS

3,073,410 A *	1/1963	Gongoll et al.	2/209
D229,833 S *	1/1974	Becker	D14/205
4,459,707 A *	7/1984	Stallings	2/209
D336,646 S *	6/1993	Yamazaki et al.	D14/205
D337,115 S *	7/1993	Yamazaki et al.	D14/205
D353,817 S *	12/1994	Wada	D14/205
D377,021 S *	12/1996	Isono	D14/205
D386,181 S	11/1997	Fisher	
5,793,878 A	8/1998	Chang	



US D683,717 S

Page 2

U.S. PATENT DOCUMENTS

D658,158 S 4/2012 Suzuki
D662,080 S * 6/2012 Carr et al. D14/205 * cited by examiner
D674,372 S * 1/2013 Kelly et al. D14/205



FIG. 1

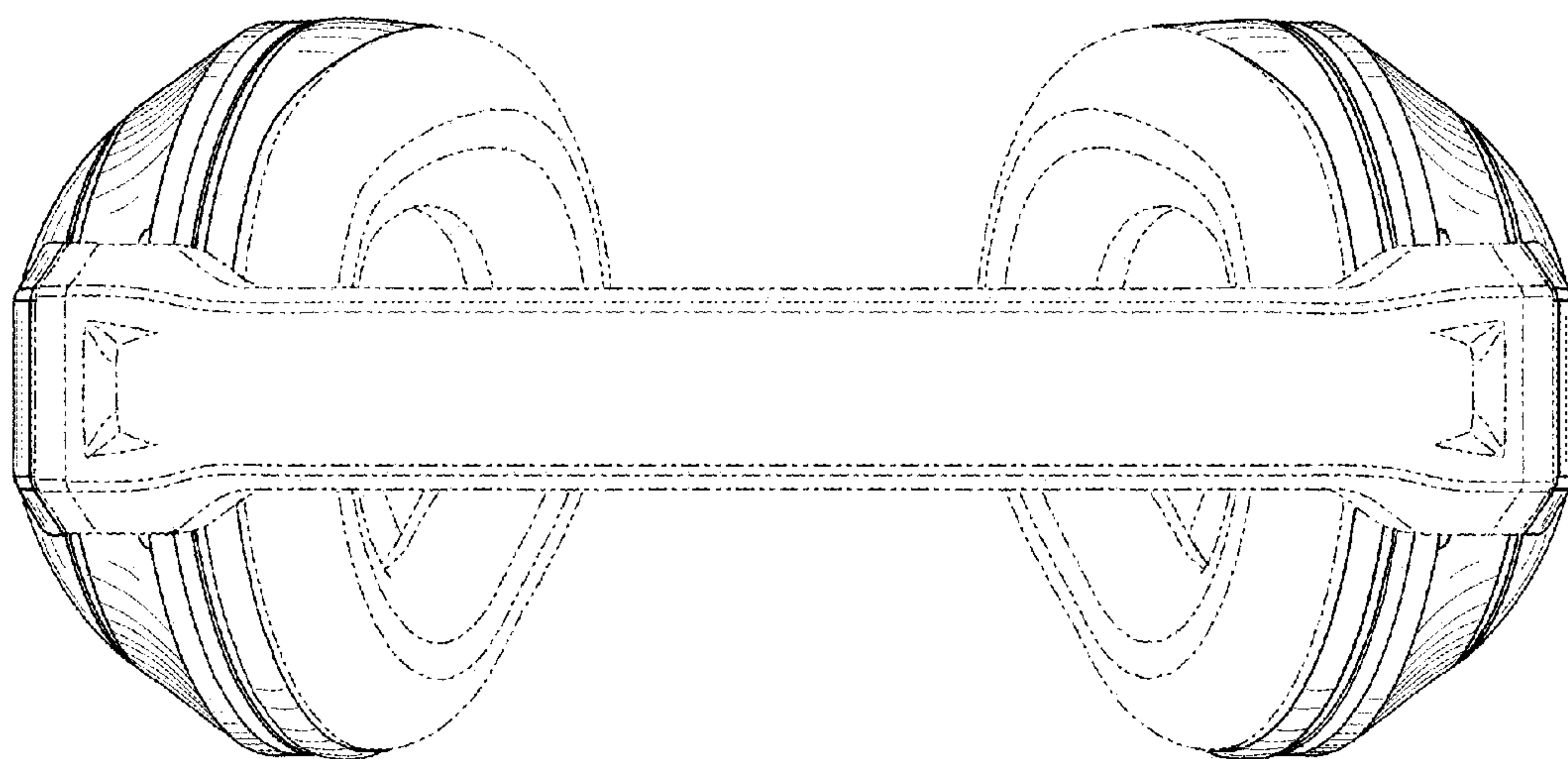


FIG. 2

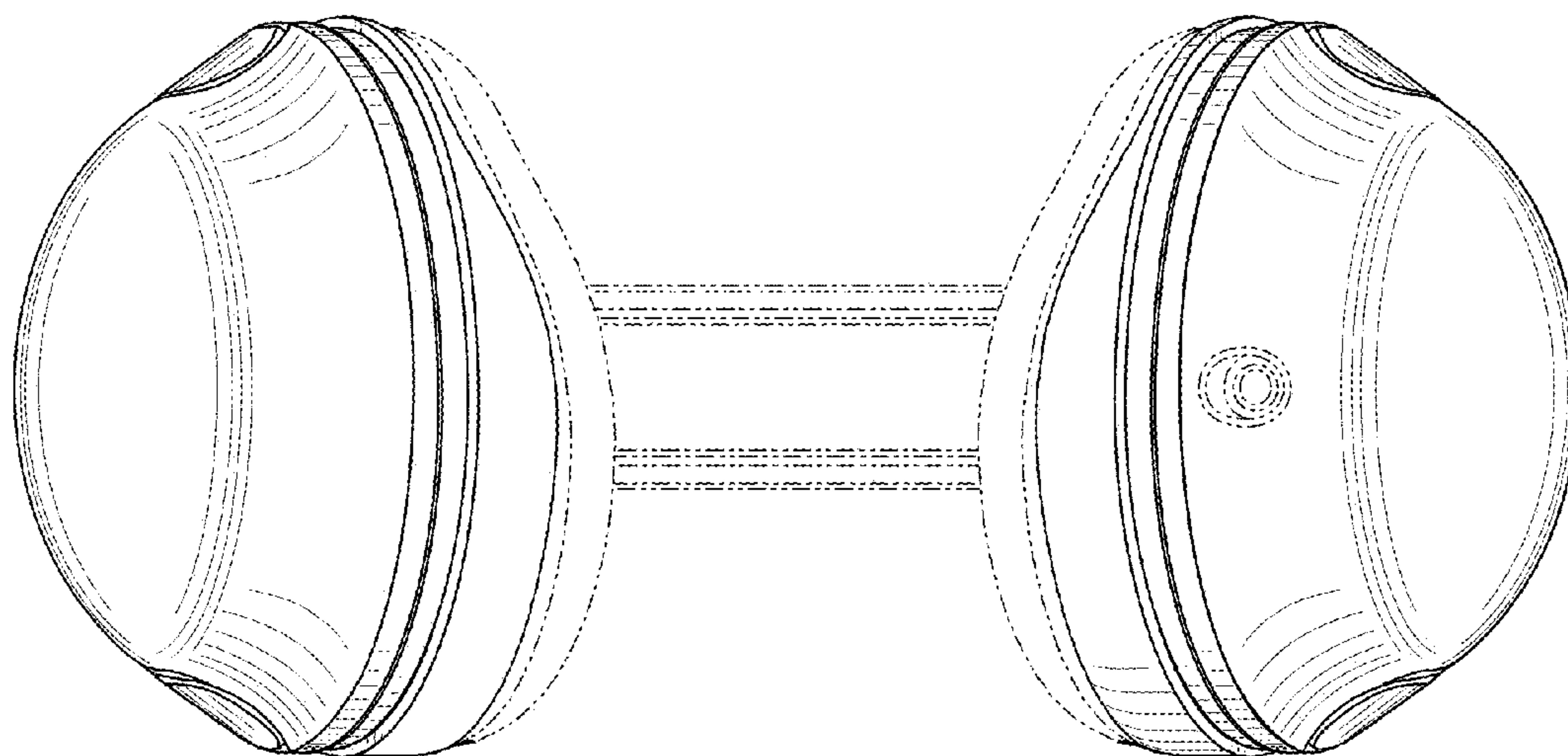


FIG. 3

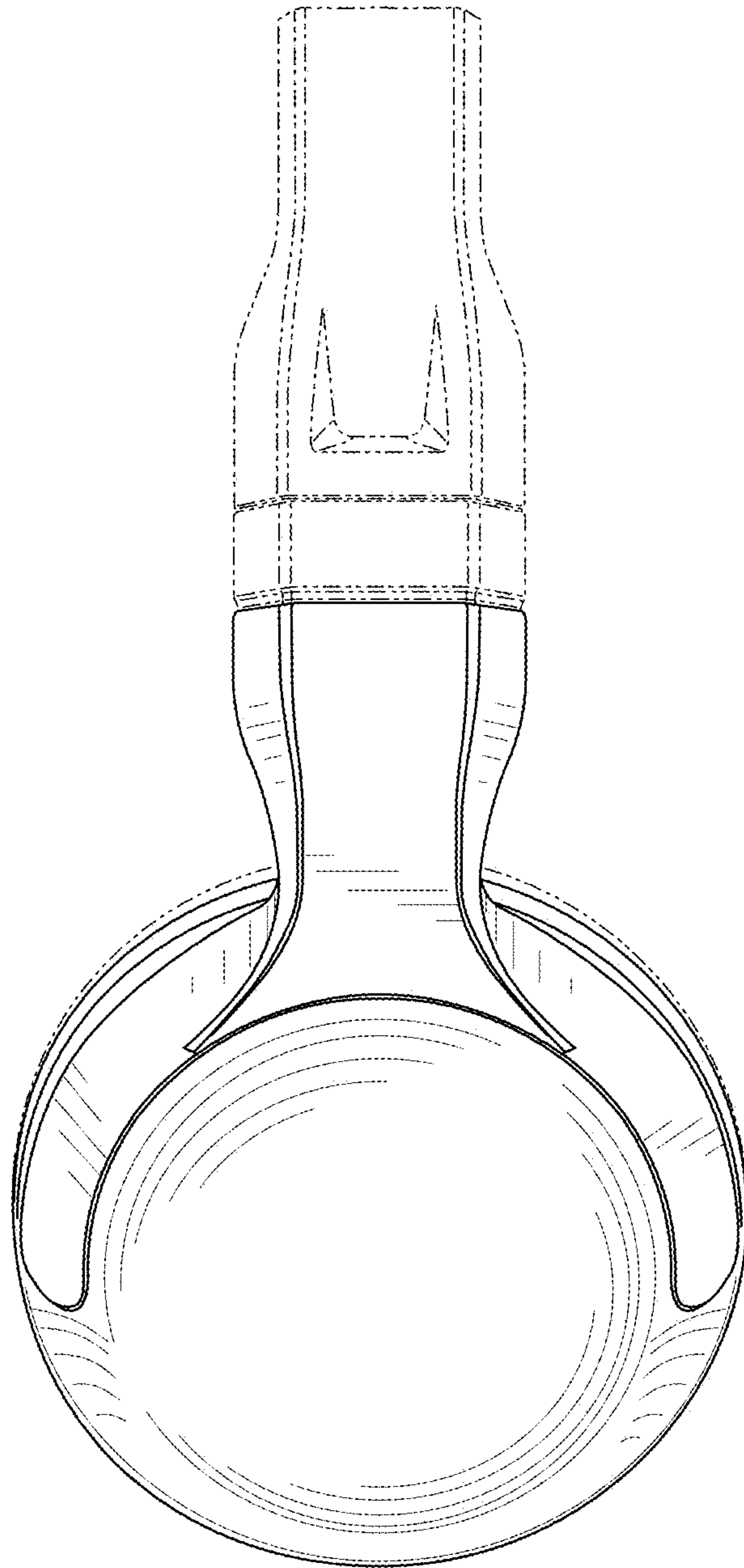


FIG. 4

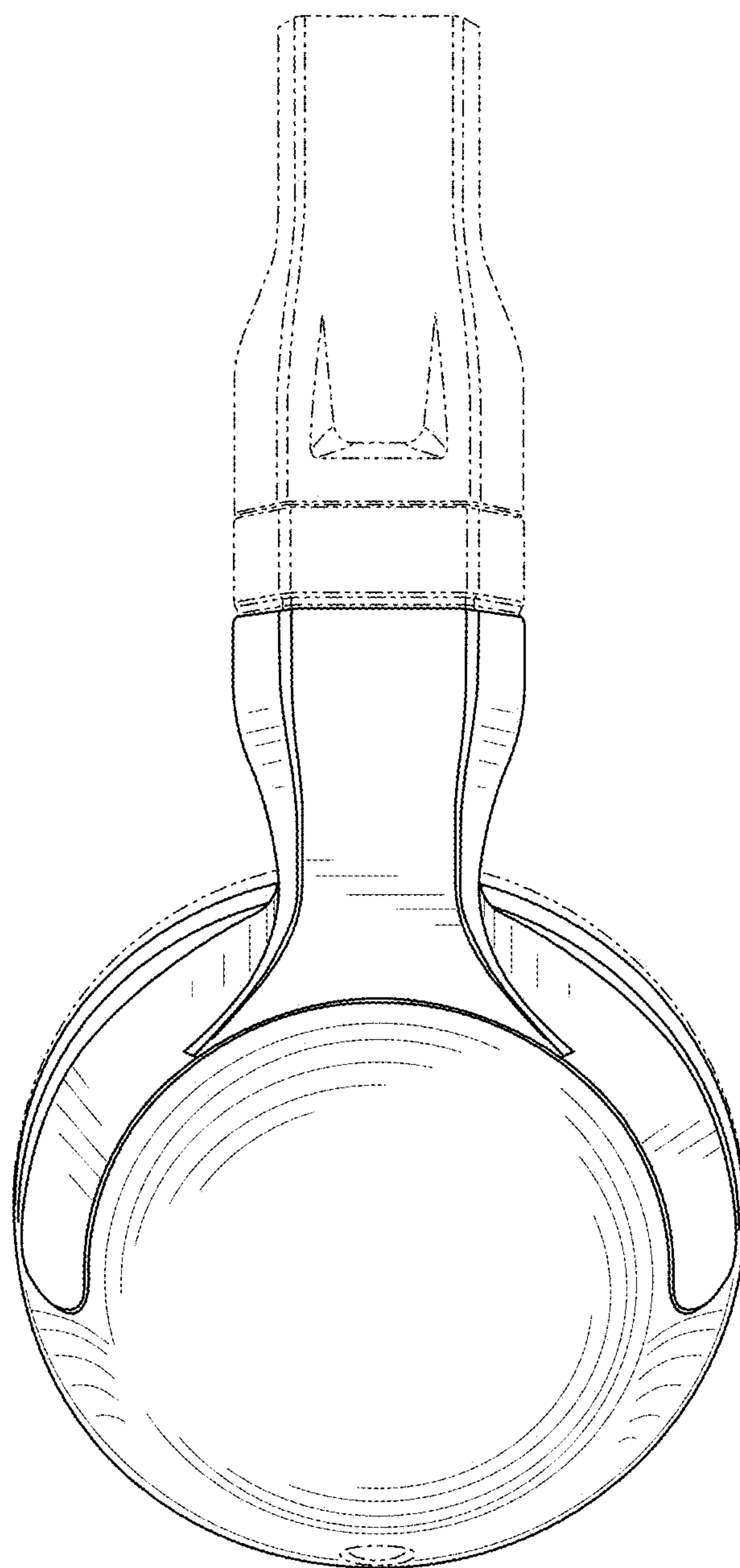


FIG. 5



FIG. 6



FIG. 7