



US00D683716S

(12) **United States Design Patent**
Hansson et al.

(10) **Patent No.:** **US D683,716 S**
(45) **Date of Patent:** **** Jun. 4, 2013**

(54) **EARCUP**

(75) Inventors: **Olof Hansson**, Värnamo (SE); **Johan Håkansson**, Växjö (SE); **Tobias Good**, Västra Frölunda (SE); **Johan Martin Sallander**, Jönköping (SE)

(73) Assignee: **3M Innovative Properties Company**, St. Paul, MN (US)

(**) **Term:** **14 Years**

(21) **Appl. No.:** **29/412,148**

(22) **Filed:** **Jan. 31, 2012**

(30) **Foreign Application Priority Data**

Aug. 3, 2011 (EM) 1287783

(51) **LOC (9) Cl.** **14-01**

(52) **U.S. Cl.**
USPC **D14/205**

(58) **Field of Classification Search**
USPC D14/205, 206, 223; 181/129, 130, 181/135; 379/430, 431; 381/380, 381, 374; D20/22; D29/112, 122, 108; 455/90.3, 575.1; 128/864, 866, 867; 2/15, 53, 174; 604/294, 604/304; D24/189; D21/479; 434/81; 40/124.07, 124.01

See application file for complete search history.

(56) **References Cited**

U.S. PATENT DOCUMENTS

1,388,561 A * 8/1921 Grote 206/388
2,343,287 A * 3/1944 Elsaesser 215/394
D197,773 S * 3/1964 Ugartechea D14/249

3,916,447 A * 11/1975 Thompson 2/46
D313,092 S * 12/1990 Nilsson D29/112
5,068,923 A * 12/1991 Sjoqvist 2/209
D337,115 S * 7/1993 Yamazaki et al. D14/205
D380,785 S * 7/1997 Francis D21/386
D444,140 S * 6/2001 Ishibashi D14/192
D459,033 S * 6/2002 Dix et al. D29/112
D459,034 S * 6/2002 Dix et al. D29/112
D468,063 S * 12/2002 Nilsson D29/112
7,424,125 B2 9/2008 Amae
7,489,795 B2 * 2/2009 Ito 381/381
7,640,598 B1 * 1/2010 Mallik 2/46
D638,586 S * 5/2011 Aaskov et al. D29/122
D661,283 S * 6/2012 Huang D14/223
D663,900 S * 7/2012 Karlsson et al. D29/112

* cited by examiner

Primary Examiner — Paula Greene

(57) **CLAIM**

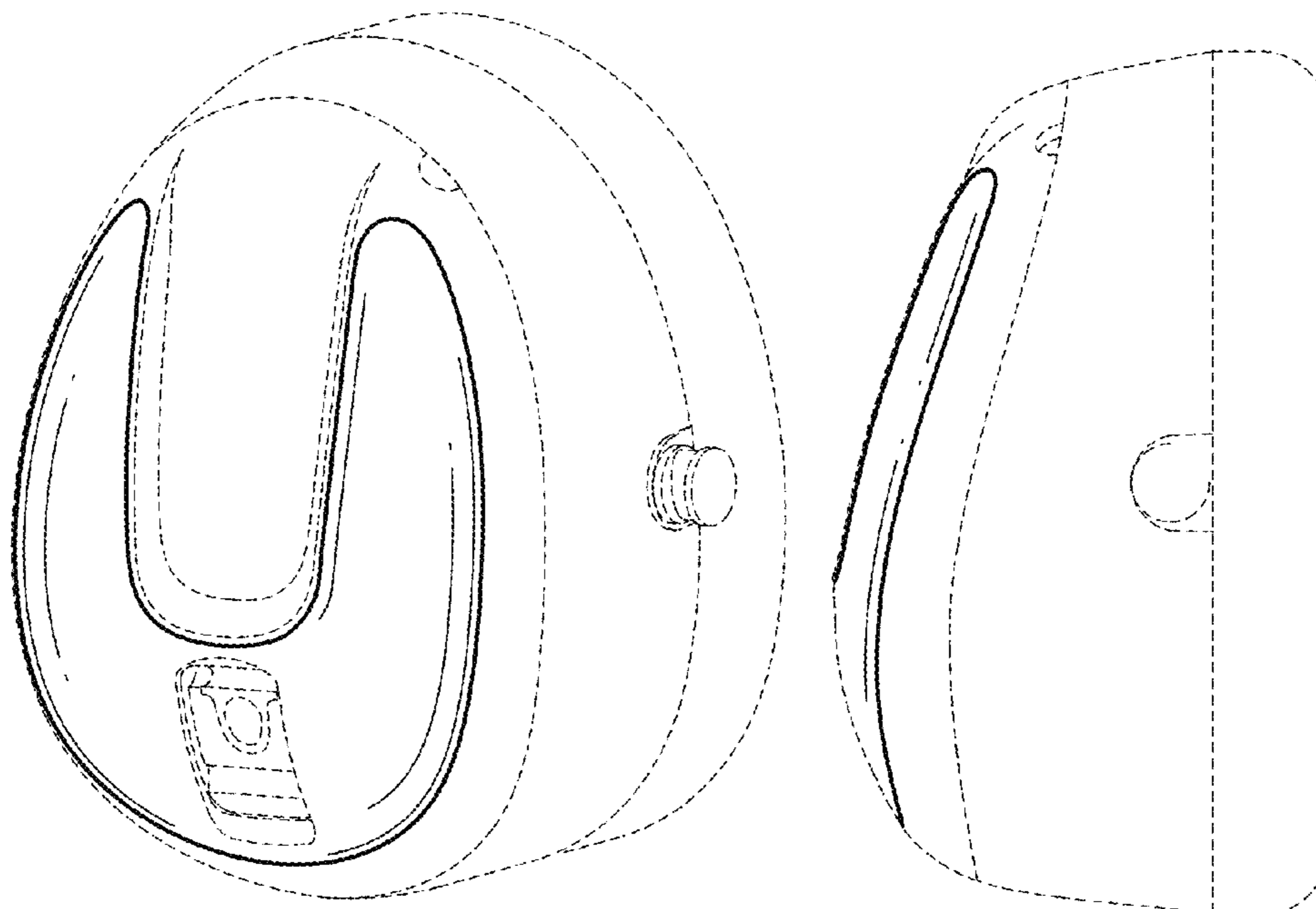
The ornamental design for an earcup, as shown and described.

DESCRIPTION

FIG. 1 is a perspective view, showing the new design for an earcup;
FIG. 2 is a front view thereof;
FIG. 3 is a right side view thereof;
FIG. 4 is a top view thereof;
FIG. 5 is a left side view thereof;
FIG. 6 is rear view thereof; and,
FIG. 7 is a bottom view thereof.

The broken line showing forms no part of the claimed design, and the shading is provided to illustrate contour only and is not an indication of texture, gloss, etc.

1 Claim, 2 Drawing Sheets



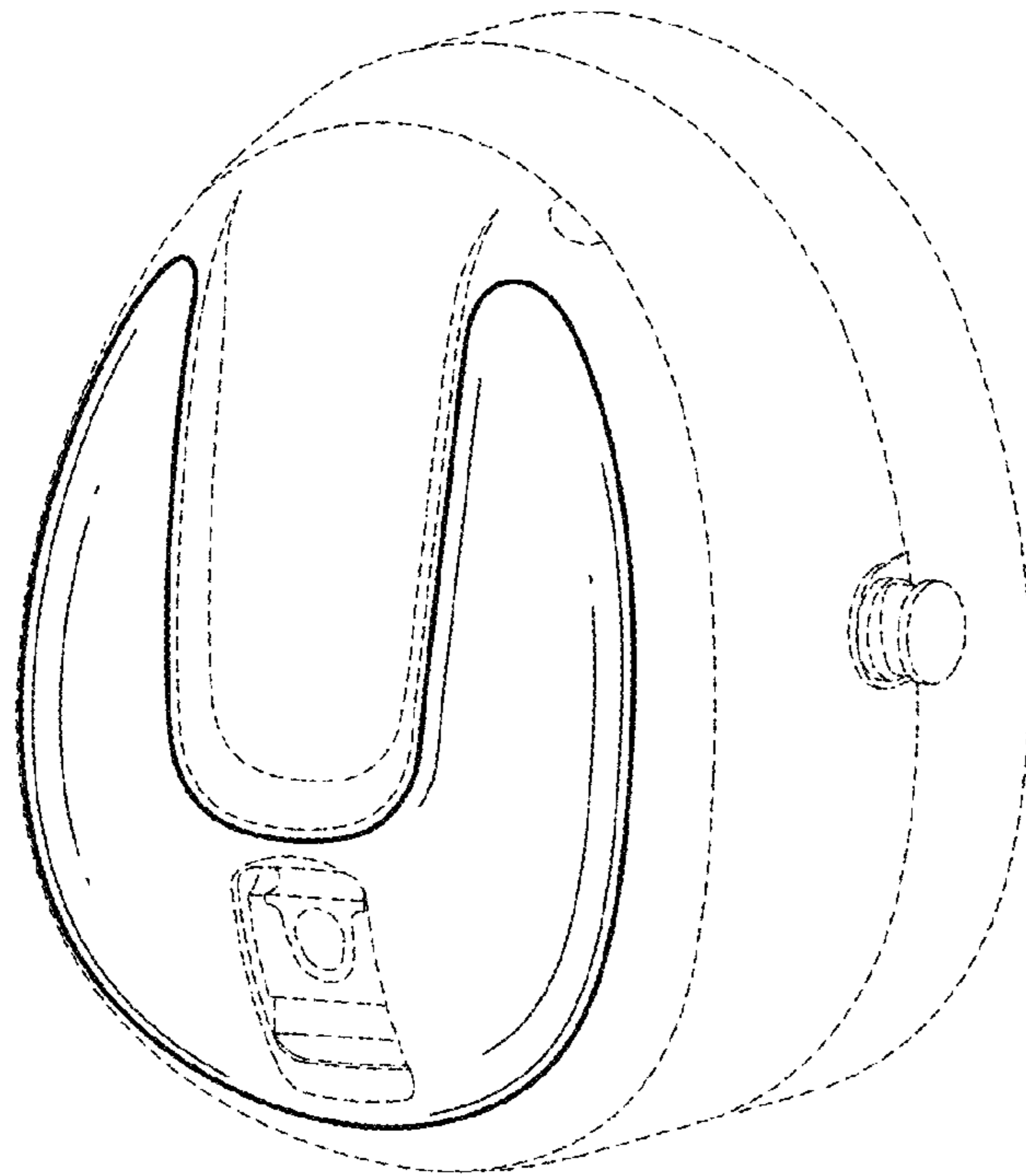


FIG. 1

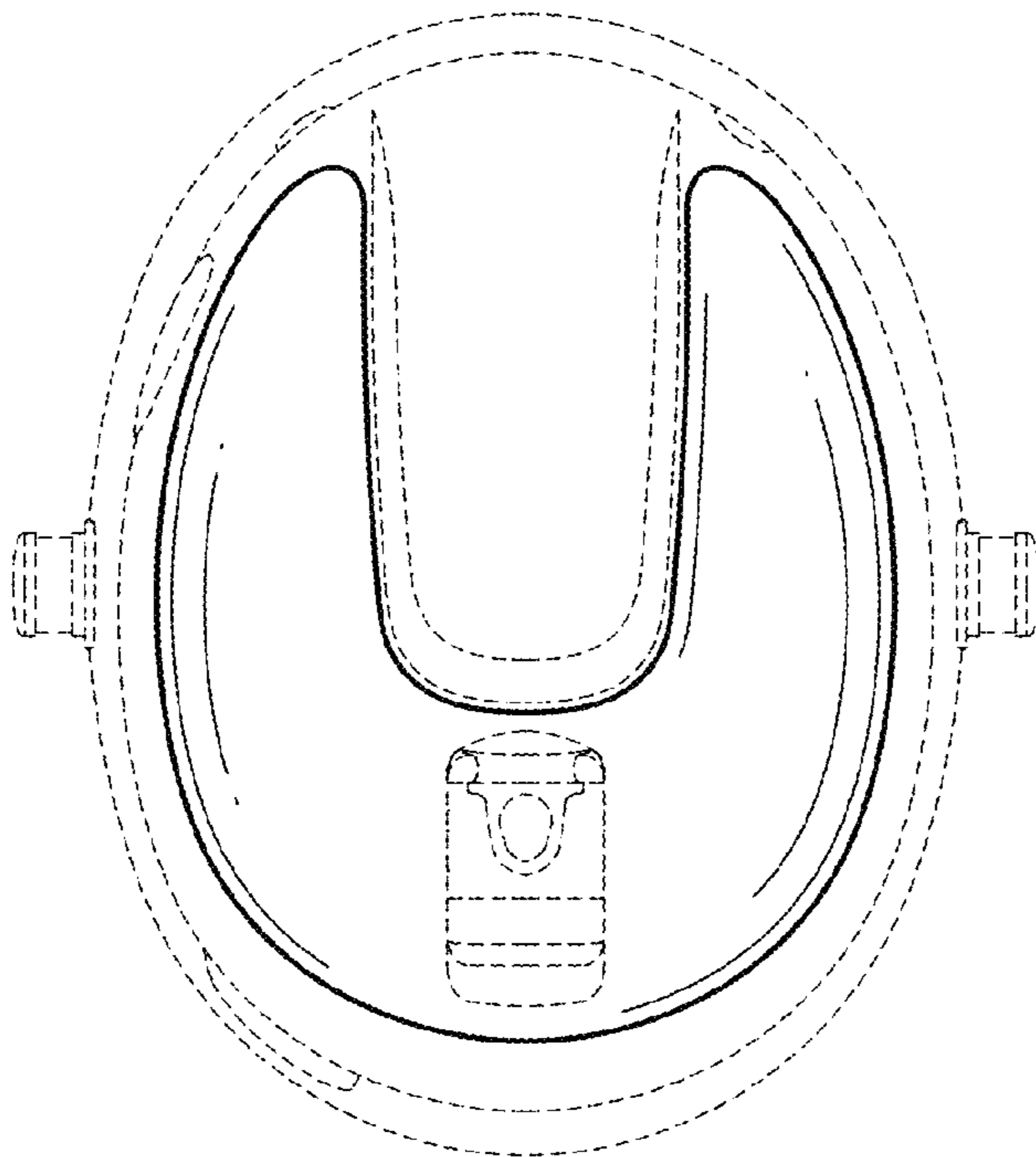


FIG. 2

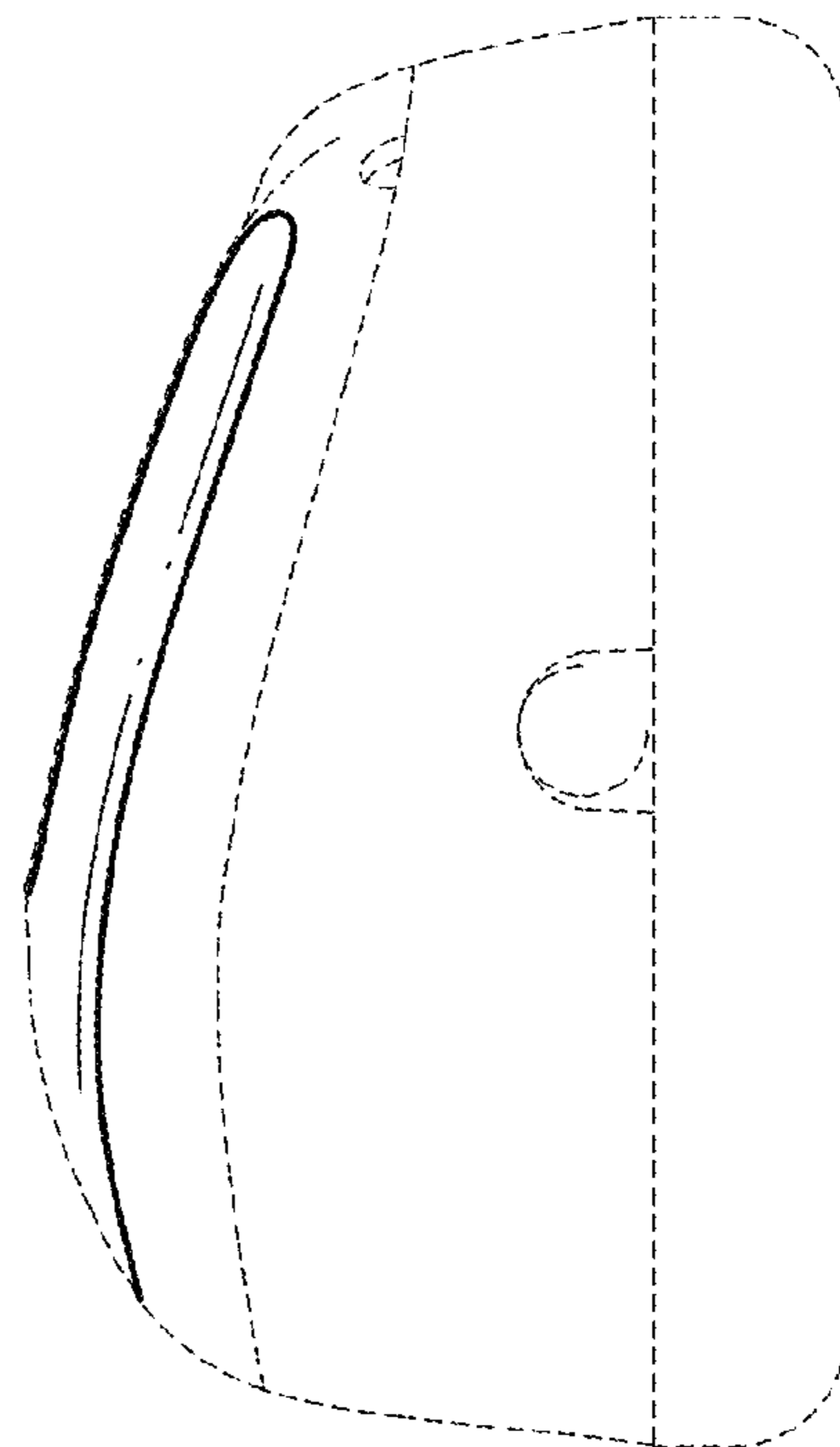


FIG. 3

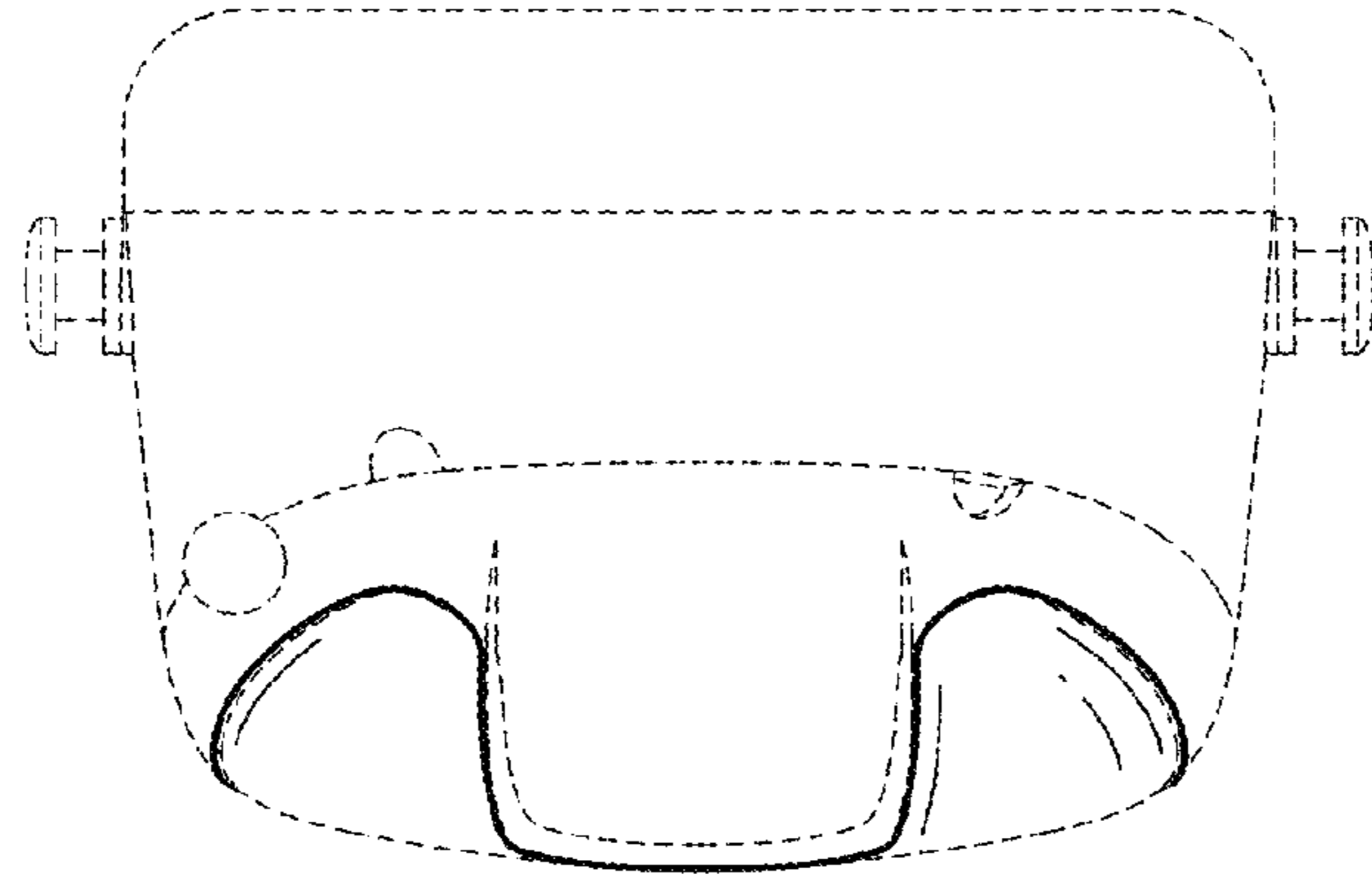


FIG. 4

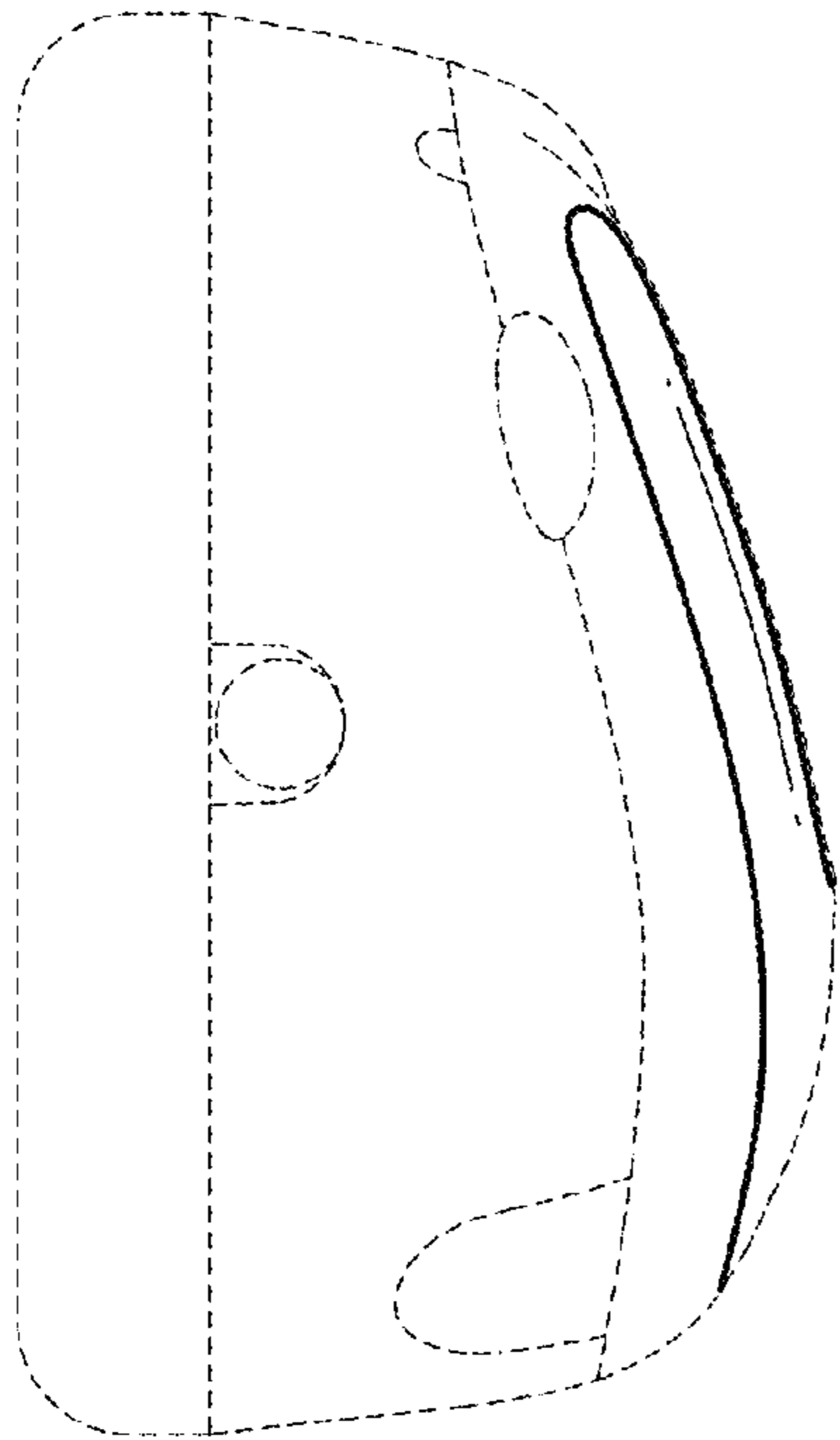


FIG. 5

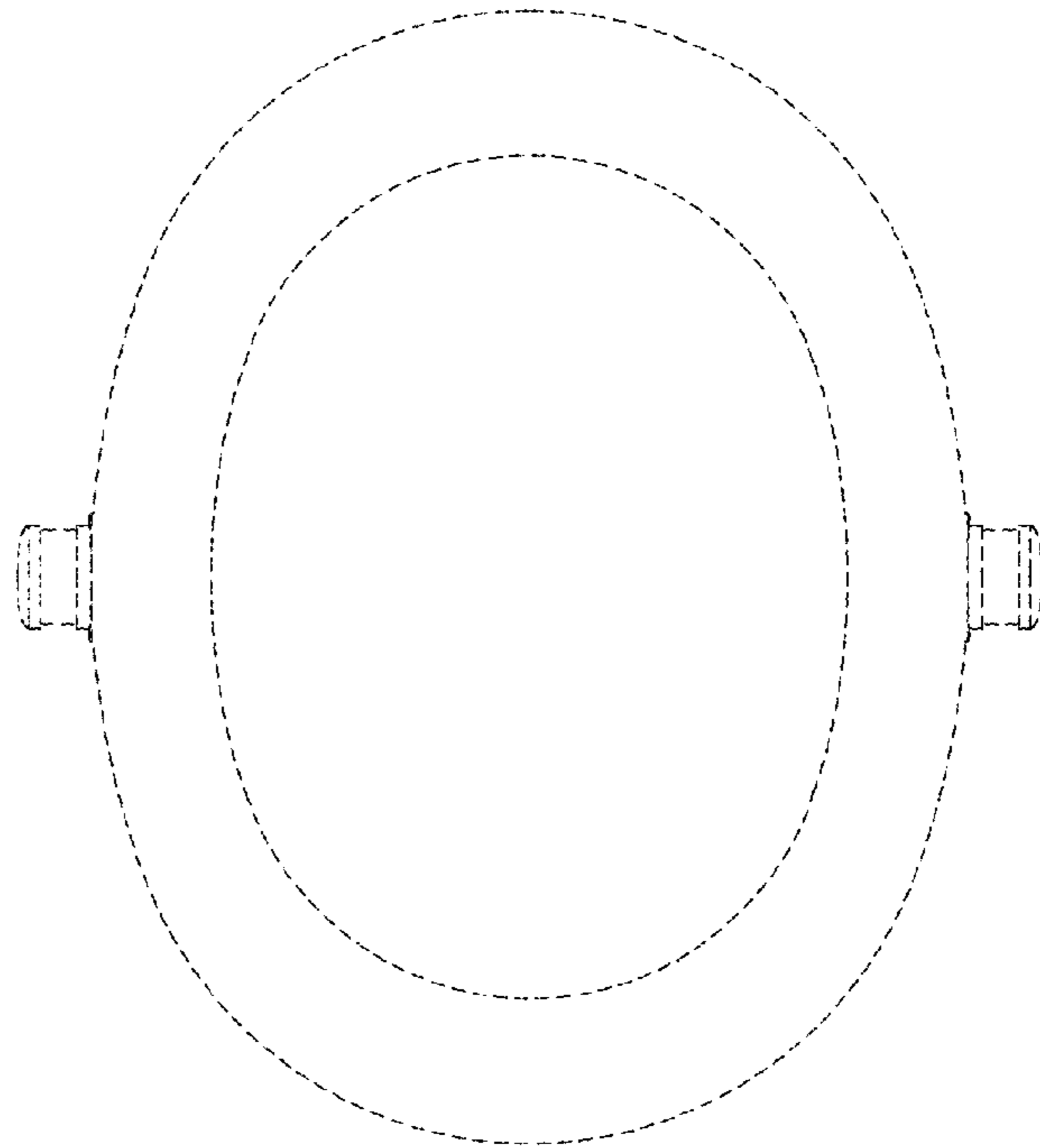


FIG. 6

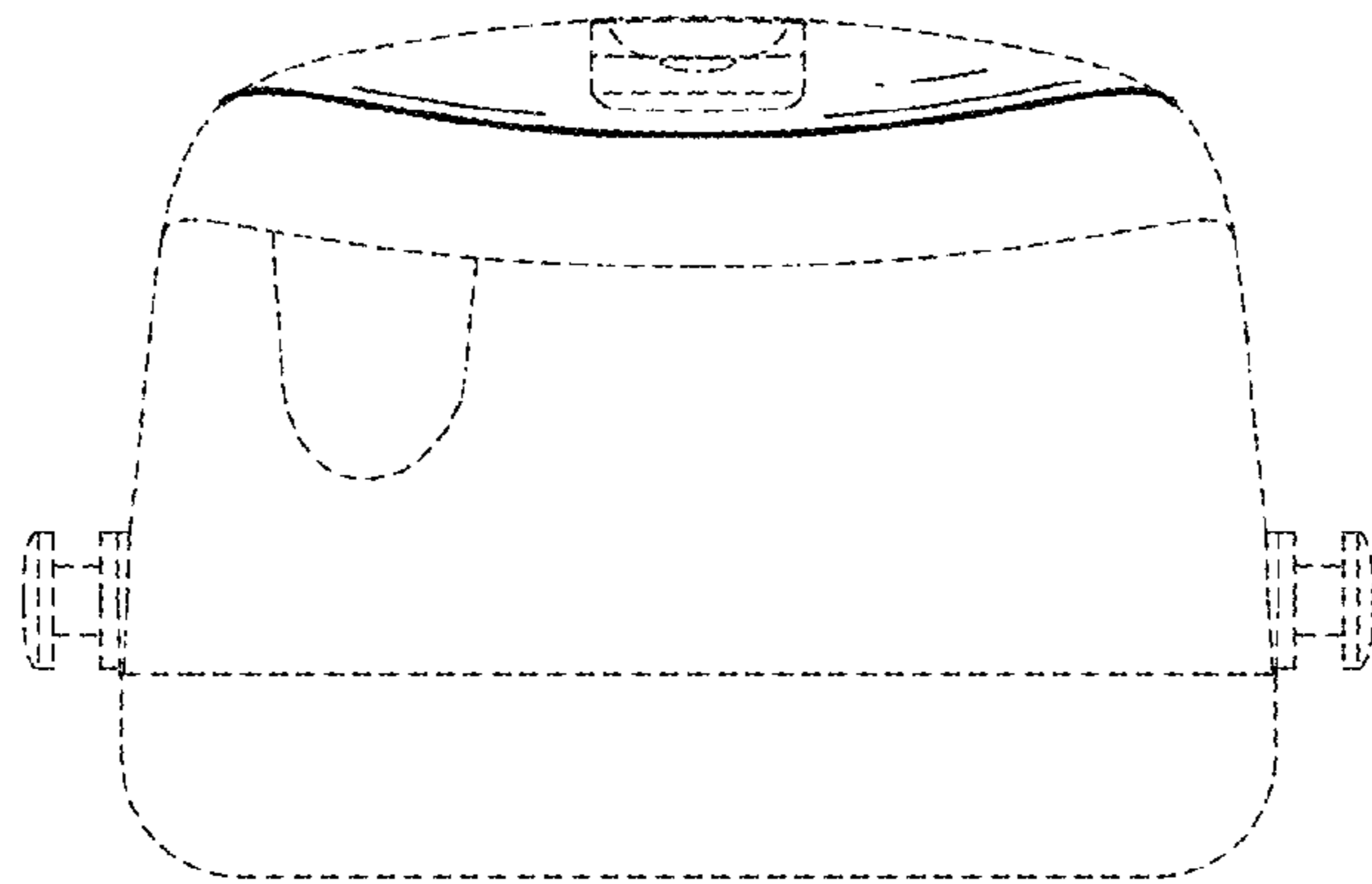


FIG. 7