



US00D683710S

(12) **United States Design Patent**
Jeon et al.

(10) **Patent No.:** **US D683,710 S**
(45) **Date of Patent:** **** Jun. 4, 2013**

(54) **TELEVISION RECEIVER**

(75) Inventors: **Seongahn Jeon**, Seoul (KR); **Sehdong Yoo**, Gyeonggi-do (KR)

(73) Assignee: **LG Electronics Inc.**, Seoul (KR)

(**) Term: **14 Years**

(21) Appl. No.: **29/429,656**

(22) Filed: **Aug. 15, 2012**

(30) **Foreign Application Priority Data**

Feb. 24, 2012 (KR) 30-2012-0008724

(51) **LOC (9) Cl.** **14-03**

(52) **U.S. Cl.**
USPC **D14/126**

(58) **Field of Classification Search**
USPC D14/125–134, 239, 371, 136, 374–377,
D14/440, 450, 448, 336, 342, 159; 312/7.2;
248/917–924, 465; 345/104, 133, 156, 168,
345/87, 173; 720/605, 669, 600, 655; 369/99,
369/197; 455/344, 347; D21/329, 515, 577,
D21/622, 333, 433, 448, 452, 450, 331; D6/477,
D6/479, 300; 273/148 B; 446/484, 175, 356;
D10/15, 26

See application file for complete search history.

(56) **References Cited**

U.S. PATENT DOCUMENTS

D626,924	S	*	11/2010	Miyaji	D14/126
D661,269	S	*	6/2012	Lee et al.	D14/126
D661,272	S	*	6/2012	Kim et al.	D14/126
D671,513	S	*	11/2012	Jang et al.	D14/126

* cited by examiner

Primary Examiner — Raphael Barkai

(74) *Attorney, Agent, or Firm* — Morgan, Lewis & Bockius LLP

(57) **CLAIM**

The ornamental design for a television receiver, as shown and described.

DESCRIPTION

FIG. 1 is a perspective view of a television receiver showing our new design;
FIG. 2 is a front view thereof;
FIG. 3 is a rear view thereof;
FIG. 4 is a left side view thereof;
FIG. 5 is a right side view thereof;
FIG. 6 is a top plan view thereof; and,
FIG. 7 is a bottom plan view thereof.

1 Claim, 6 Drawing Sheets

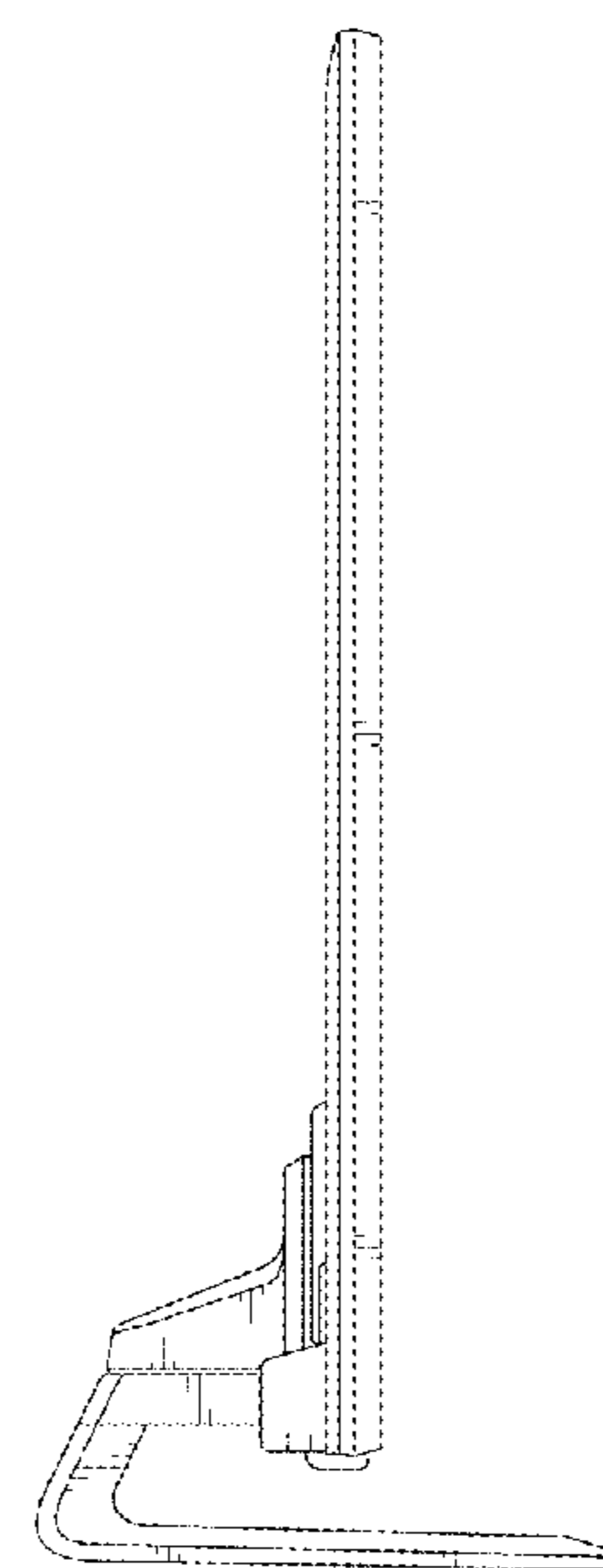
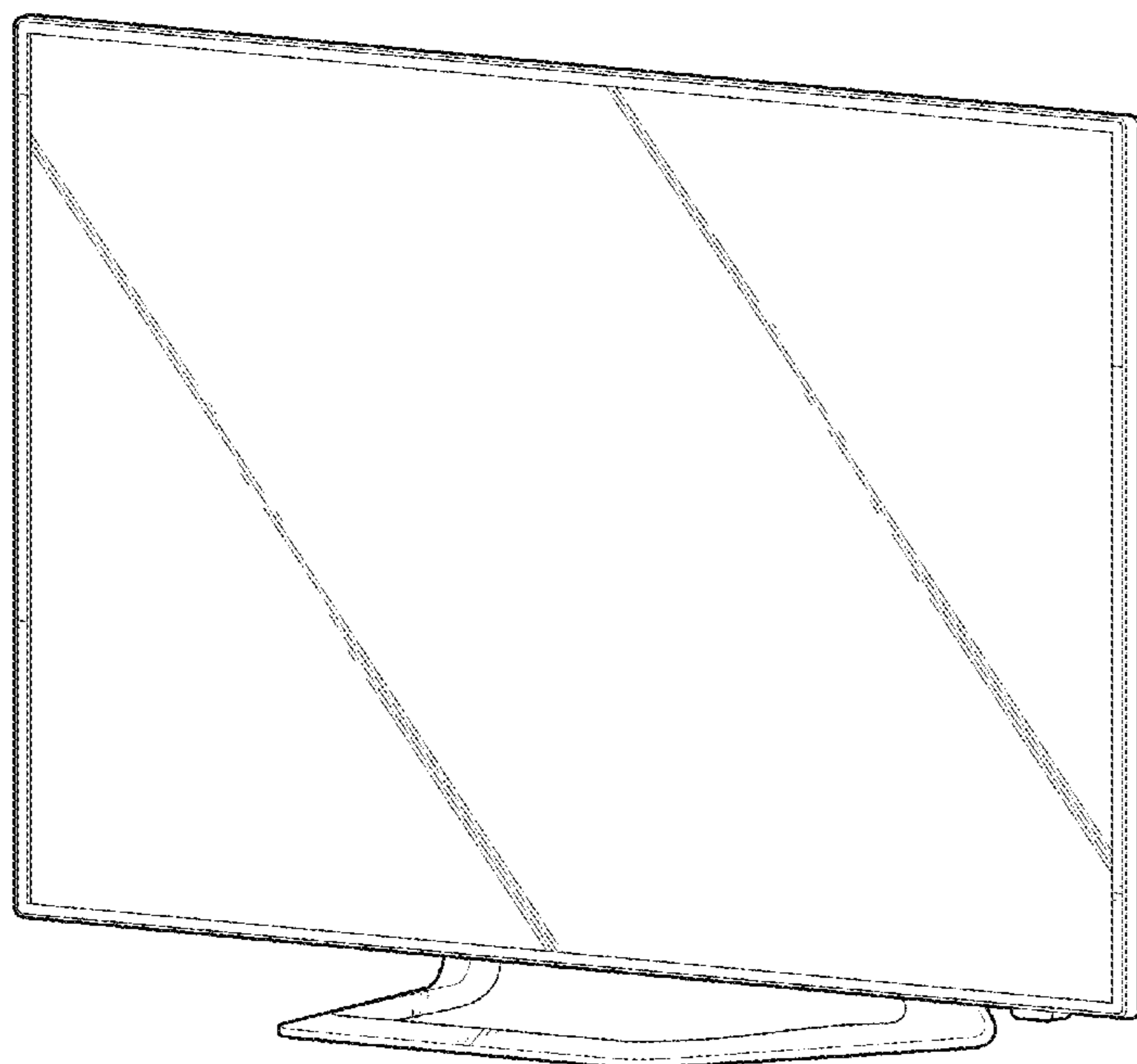


FIG. 1

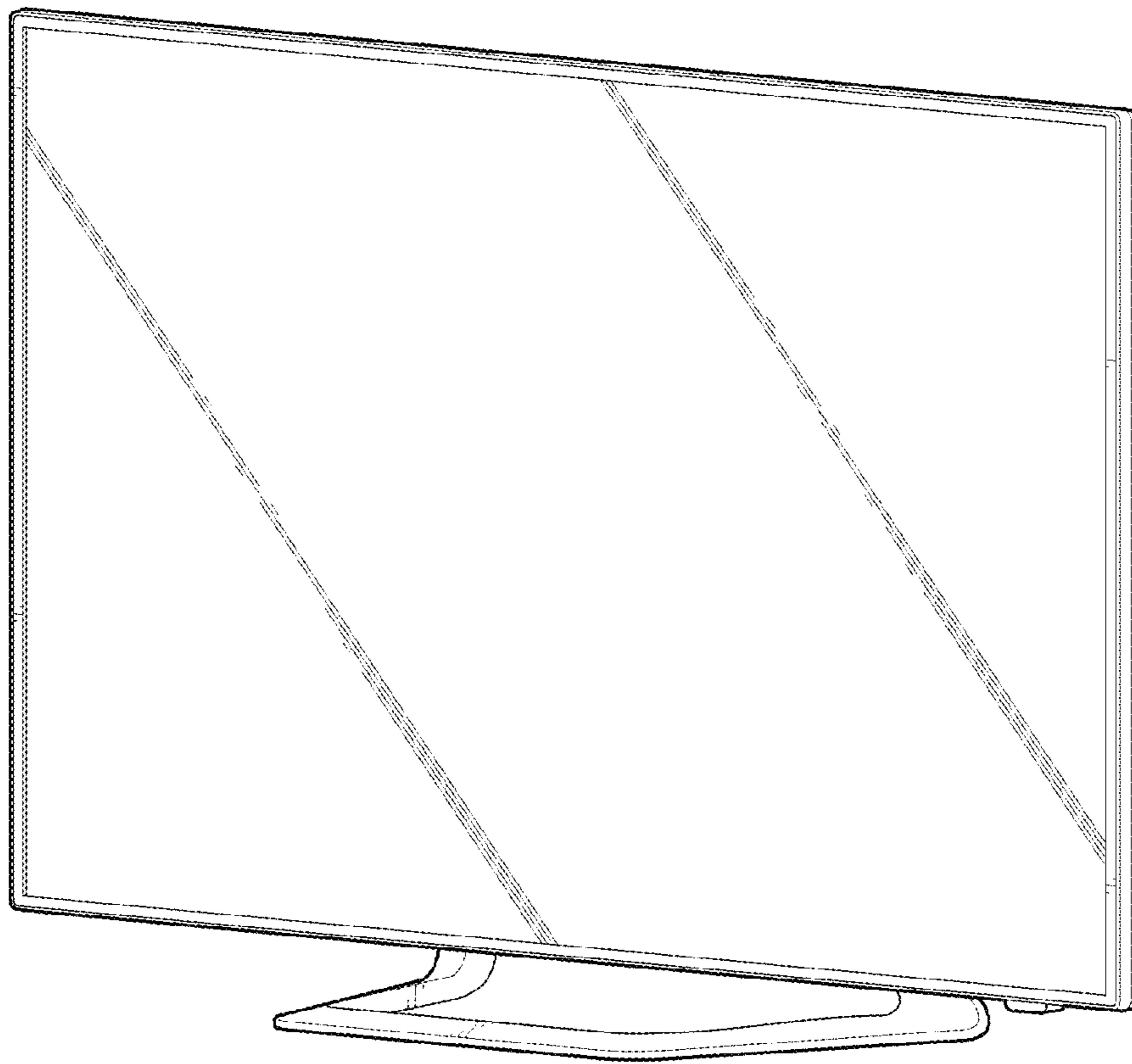


FIG. 2

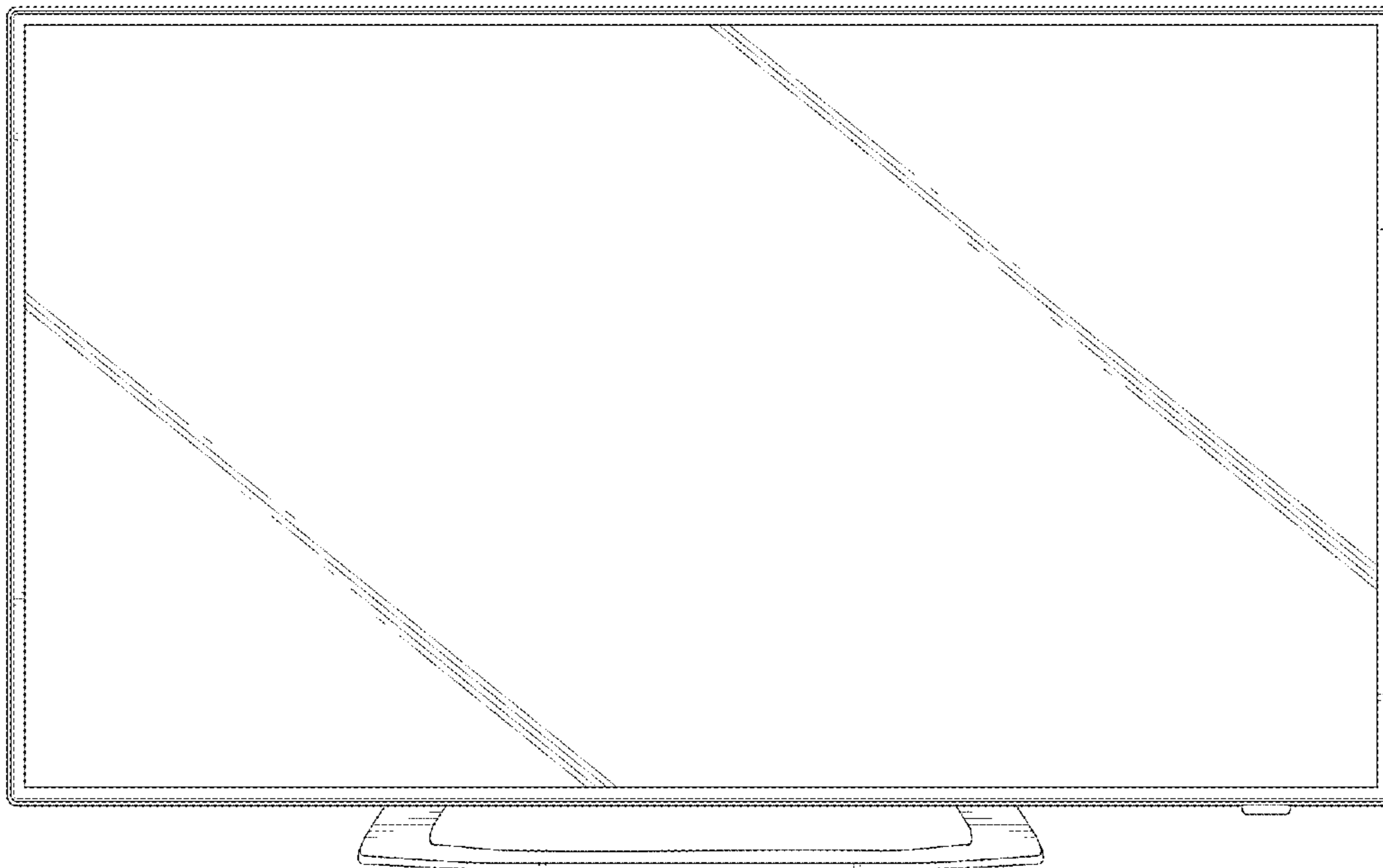


FIG. 3

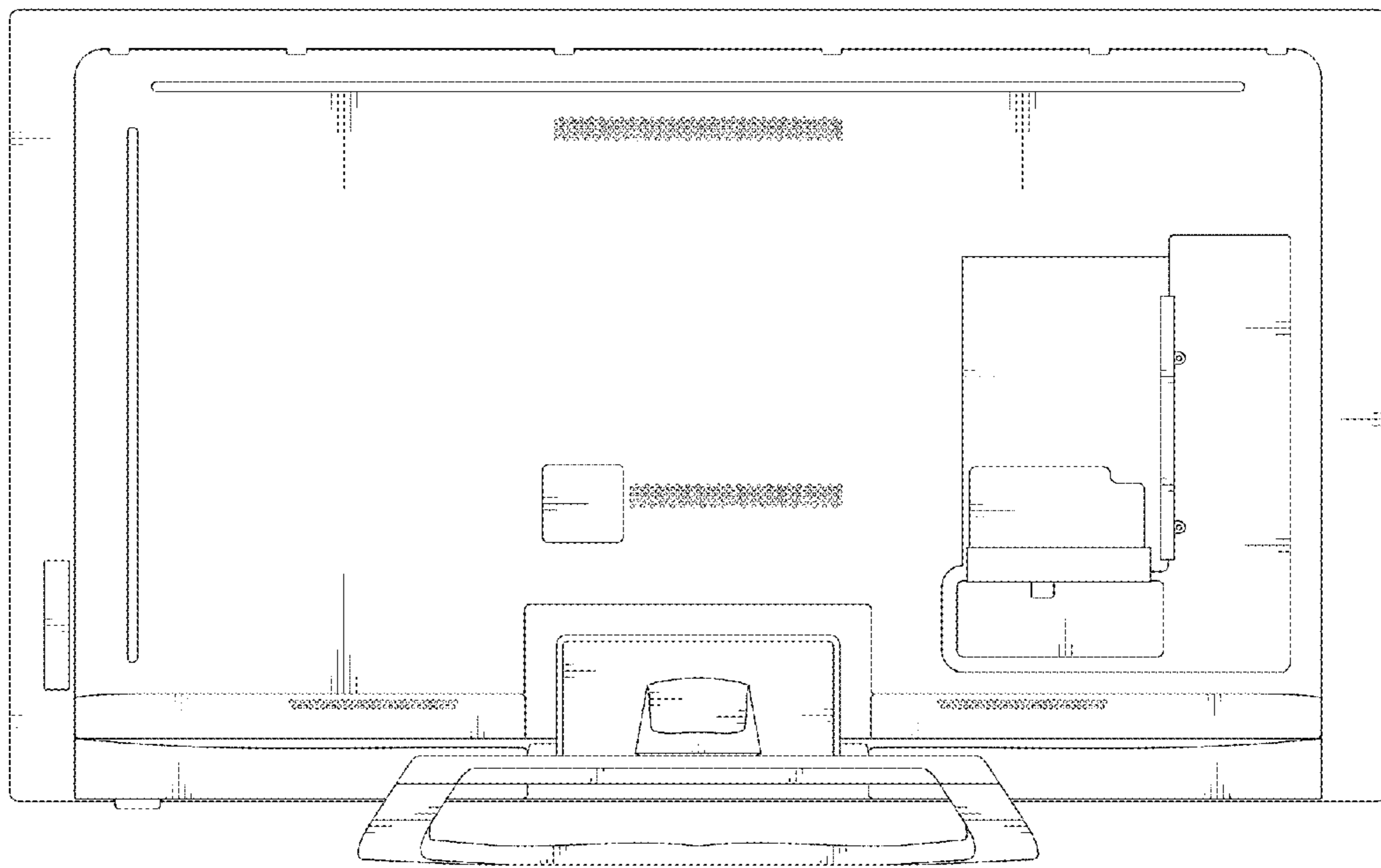


FIG. 4

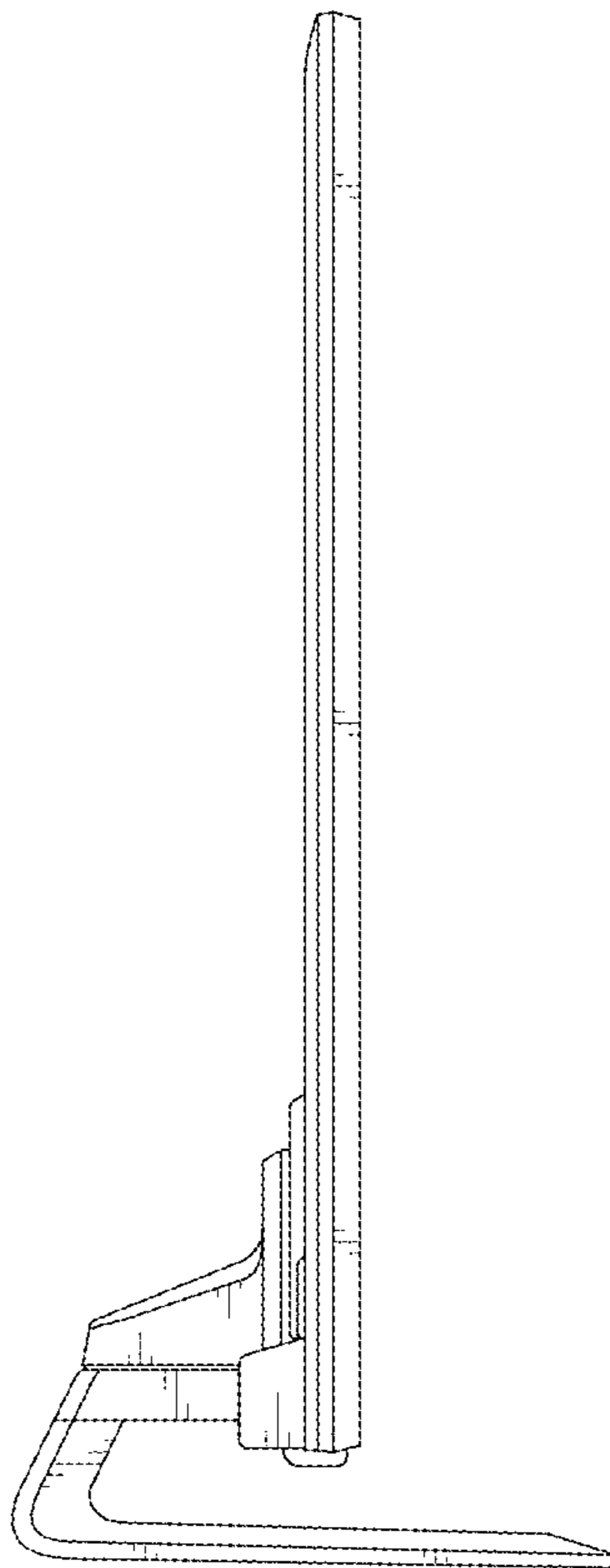


FIG. 5

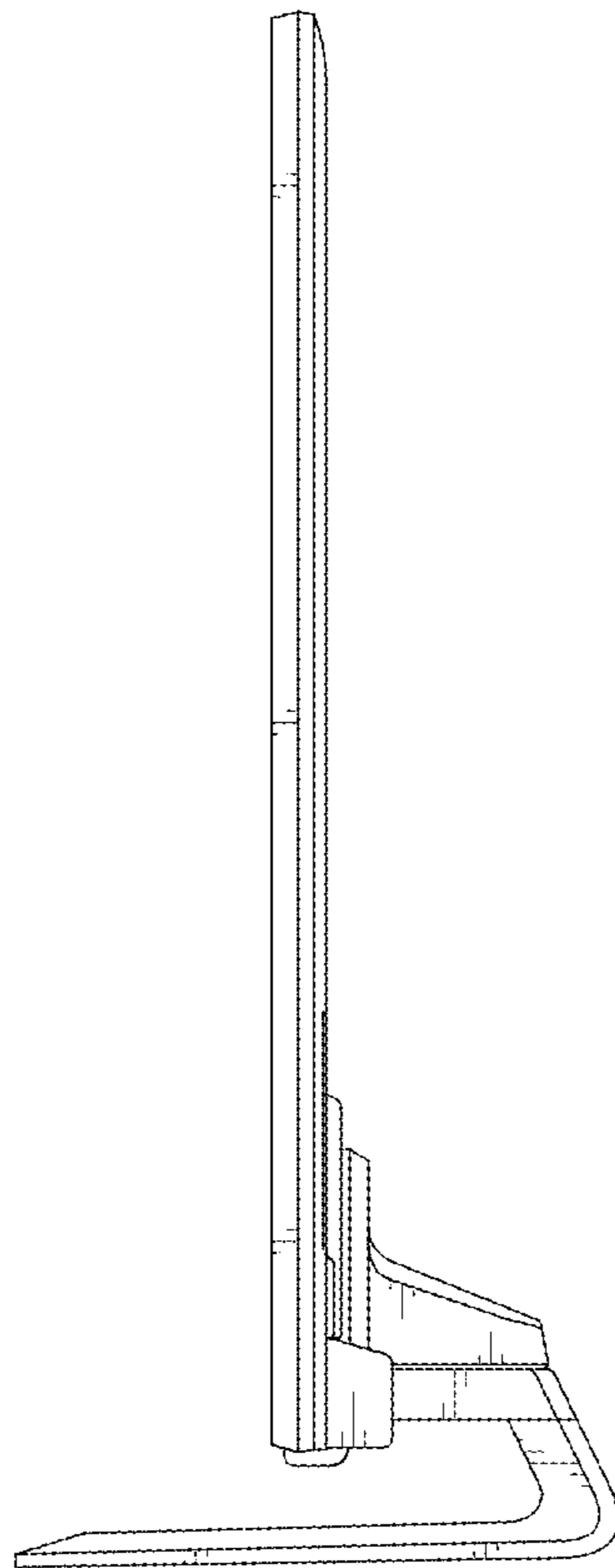


FIG. 6

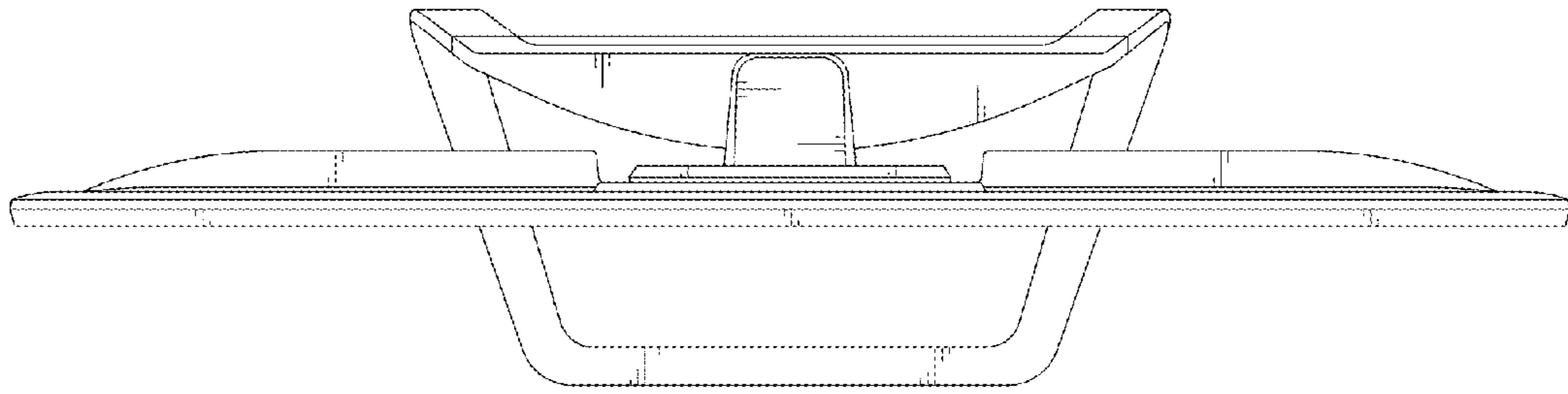


FIG. 7

