



US00D683705S

(12) **United States Design Patent**
Katagiyama et al.

(10) **Patent No.:** **US D683,705 S**
(45) **Date of Patent:** **** Jun. 4, 2013**

(54) **GUIDE PIN FOR OPTICAL CONNECTOR**

(75) Inventors: **Naoki Katagiyama**, Tokyo (JP); **Yuichi Koreeda**, Tokyo (JP); **Seiji Kojima**, Hitachi (JP); **Yoshinori Kurosawa**, Hitachinaka (JP); **Yoshikazu Namekawa**, Hitachi (JP)

(73) Assignee: **Japan Aviation Electronics Industry, Limited**, Tokyo (JP)

(**) Term: **14 Years**

(21) Appl. No.: **29/407,999**

(22) Filed: **Dec. 6, 2011**

(30) **Foreign Application Priority Data**

Jul. 11, 2011 (JP) 2011-15756

(51) **LOC (9) Cl.** **13-03**

(52) **U.S. Cl.**
USPC **D13/154**

(58) **Field of Classification Search**
USPC D13/120, 133, 146, 147, 154, 184,
D13/199; 439/839, 849-850, 852, 862, 870,
439/877, 884-885, 887-891
See application file for complete search history.

(56) **References Cited**

U.S. PATENT DOCUMENTS

4,274,697 A * 6/1981 Dodge et al. 439/455
4,995,836 A * 2/1991 Toramoto 439/675
D318,260 S * 7/1991 Lee D13/133

5,116,241 A * 5/1992 Sato 439/511
5,611,010 A 3/1997 Shiino et al.
6,450,697 B1 9/2002 Ngo
6,497,516 B1 12/2002 Toyooka et al.
6,811,436 B2 * 11/2004 Tabata 439/595
D556,691 S * 12/2007 Shiu D13/148
D585,031 S * 1/2009 Hung D13/154
D585,385 S * 1/2009 Chien et al. D13/154
D588,999 S * 3/2009 Ho et al. D13/154
D645,409 S * 9/2011 Lam D13/154
D668,619 S * 10/2012 Kajiura et al. D13/154
2004/0127108 A1 * 7/2004 Ferre Giro et al. 439/891
2011/0034066 A1 * 2/2011 Jazowski et al. 439/426

* cited by examiner

Primary Examiner — Thomas Johannes

(74) *Attorney, Agent, or Firm* — Cermak Nakajima LLP;
Tomoko Nakajima

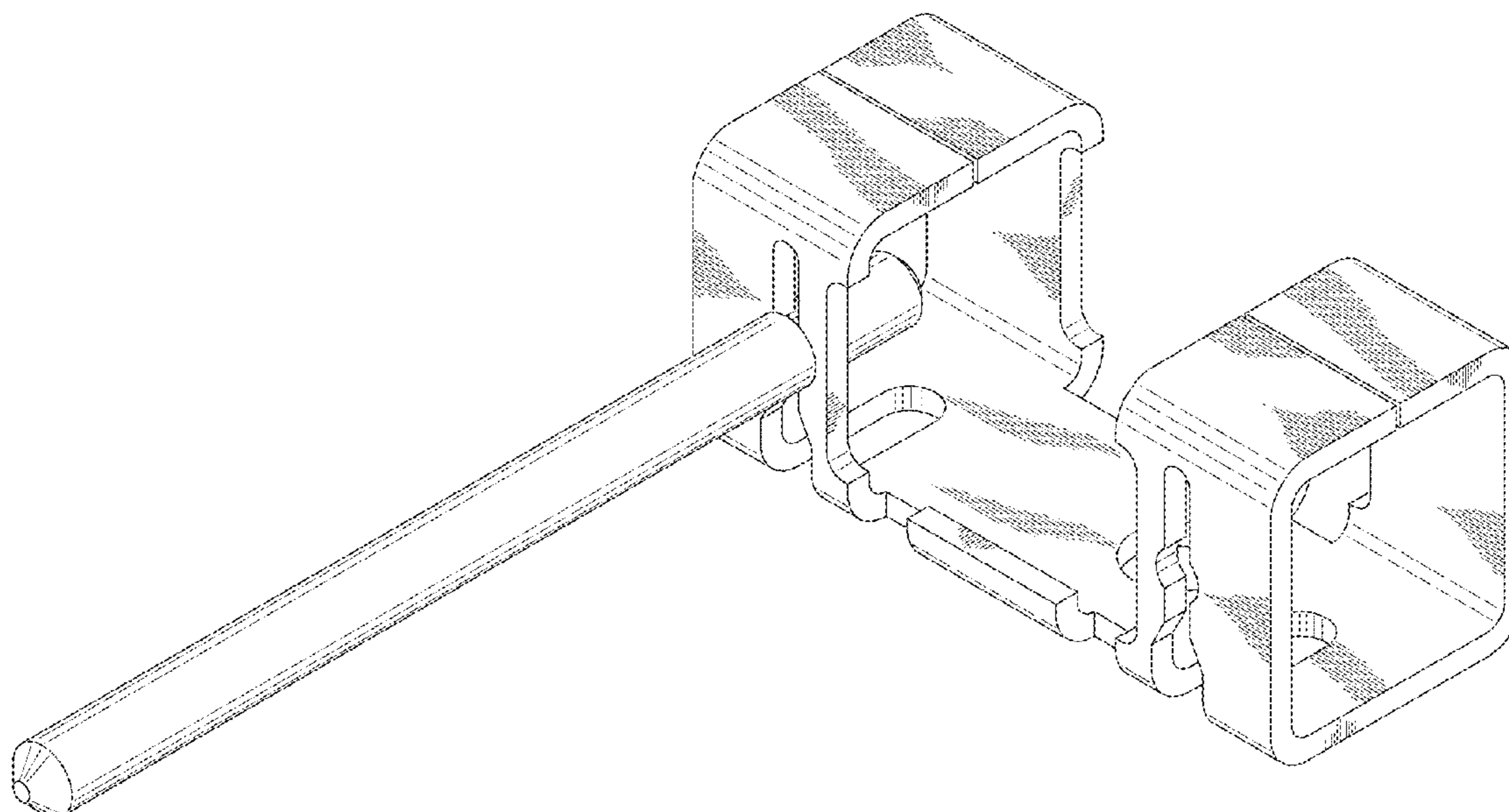
(57) **CLAIM**

The ornamental design for a guide pin for optical connector, as shown.

DESCRIPTION

FIG. 1 is a front elevational view of a guide pin for optical connector showing our new design;
FIG. 2 is a top plan view thereof;
FIG. 3 is a right side elevational view thereof;
FIG. 4 is a left side elevational view thereof;
FIG. 5 is a rear elevational view thereof;
FIG. 6 is a bottom plan view thereof;
FIG. 7 is a top perspective view thereof; and,
FIG. 8 is a bottom perspective view thereof.

1 Claim, 8 Drawing Sheets



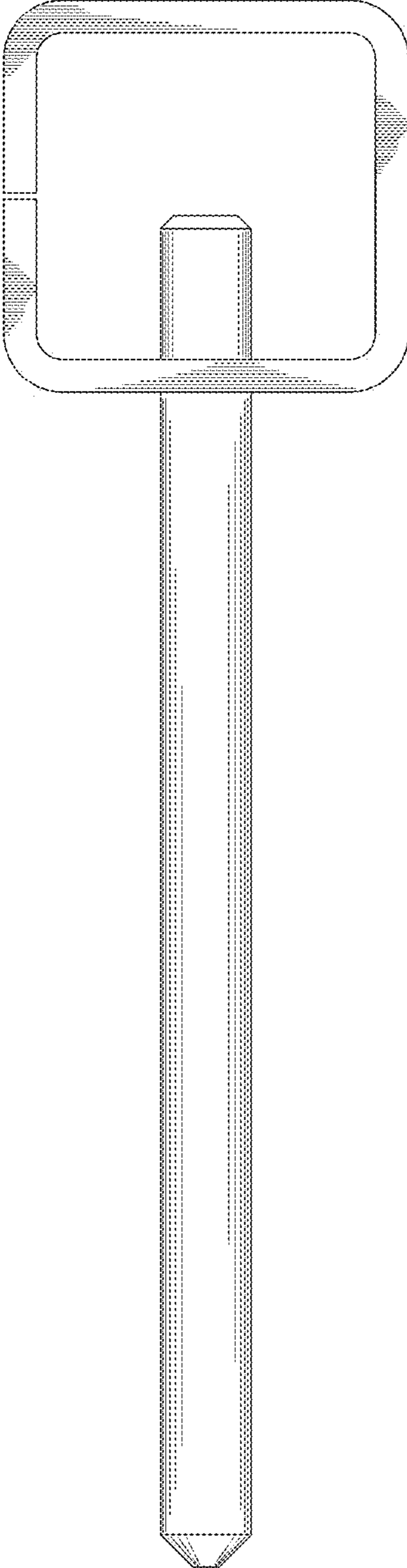


FIG. 1

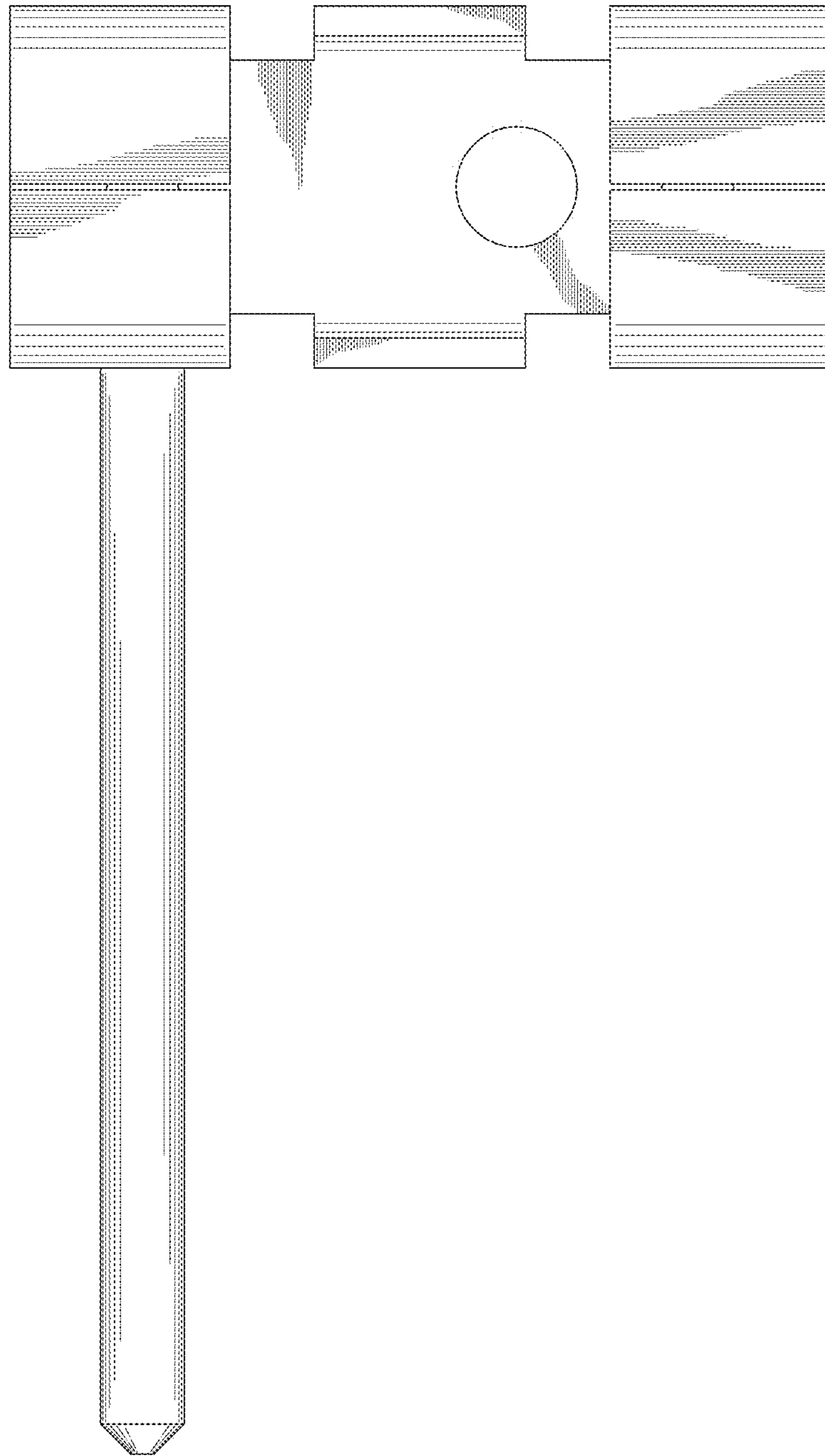


FIG.2

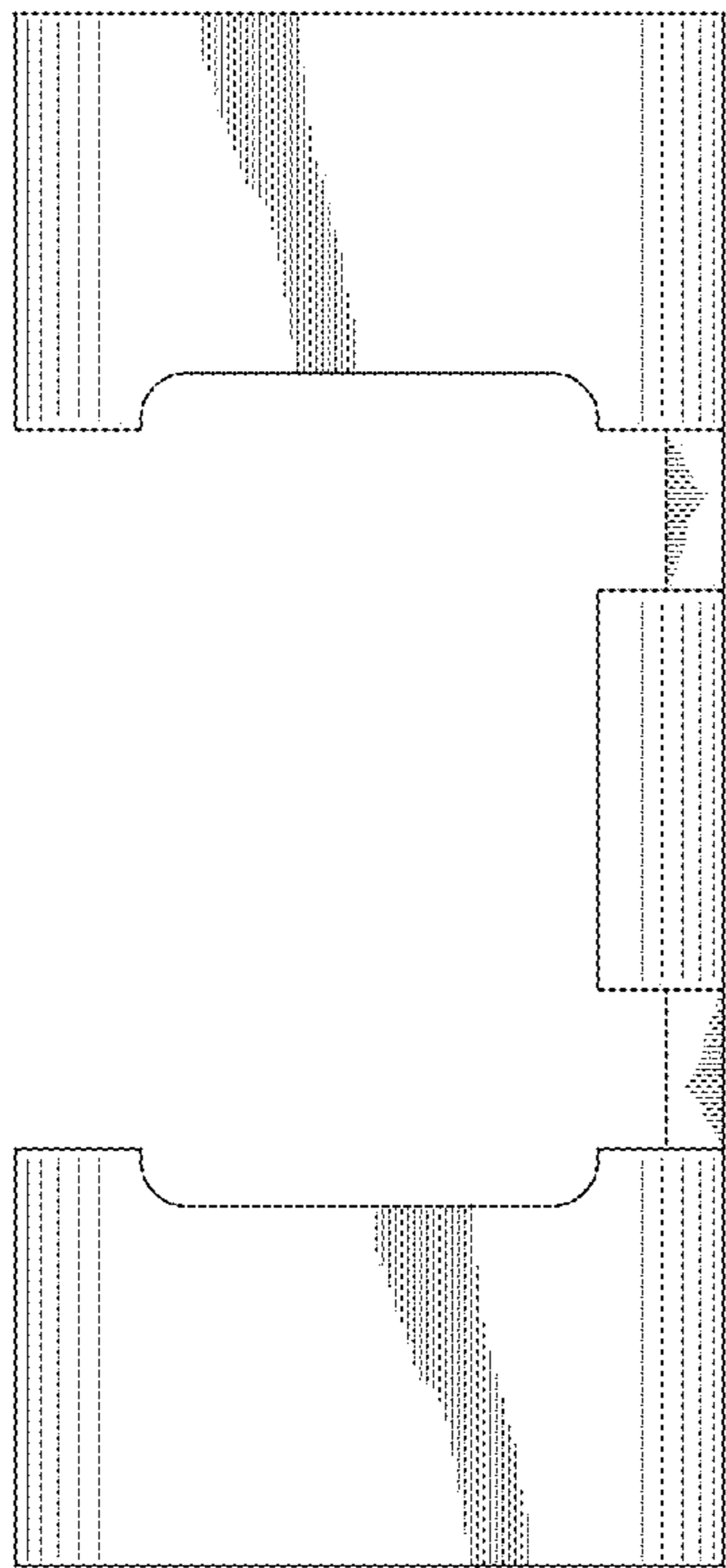


FIG.3

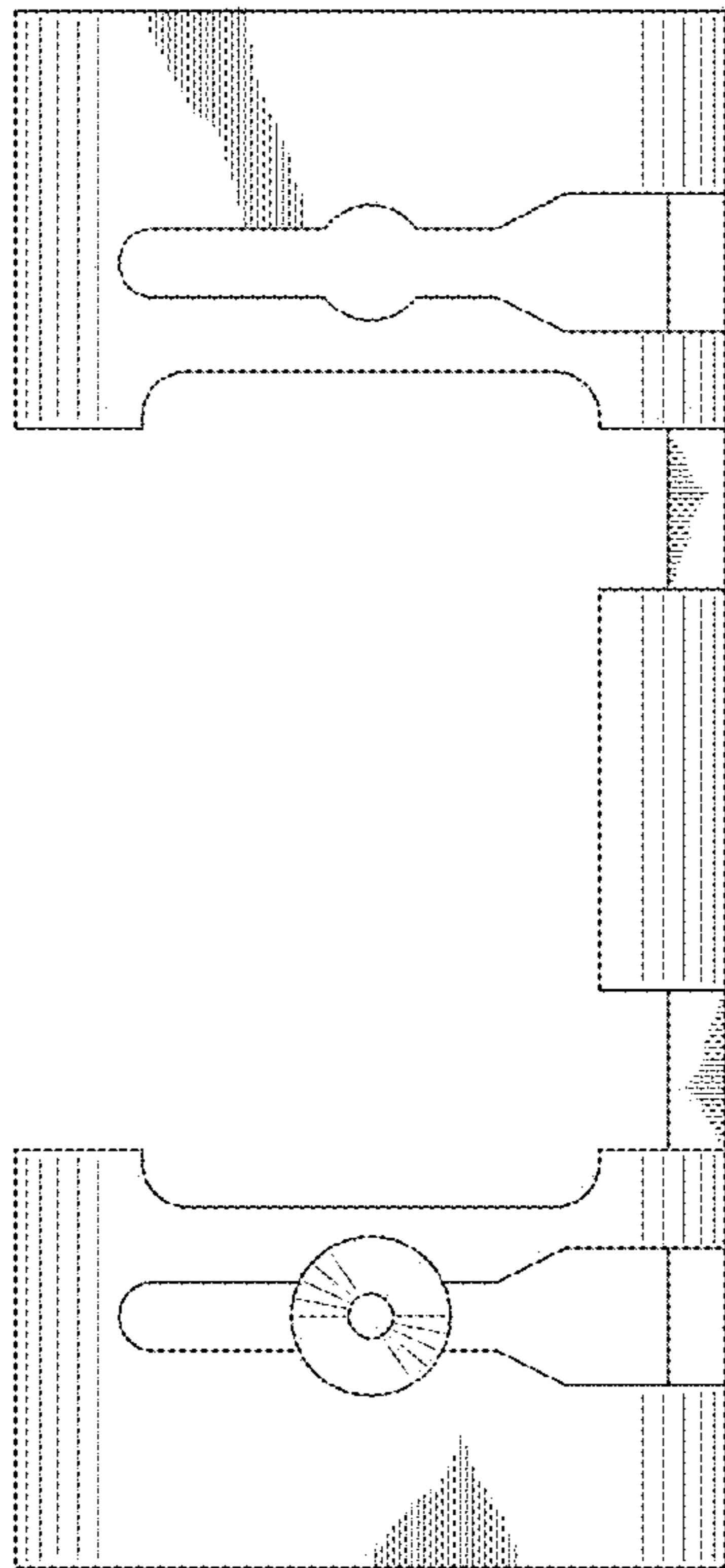


FIG.4

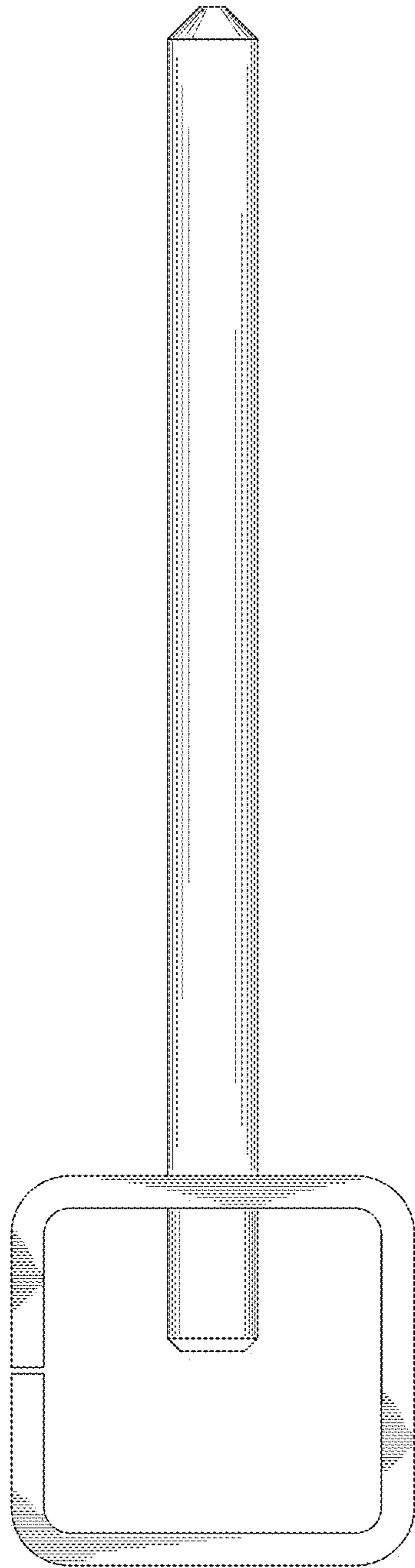


FIG.5

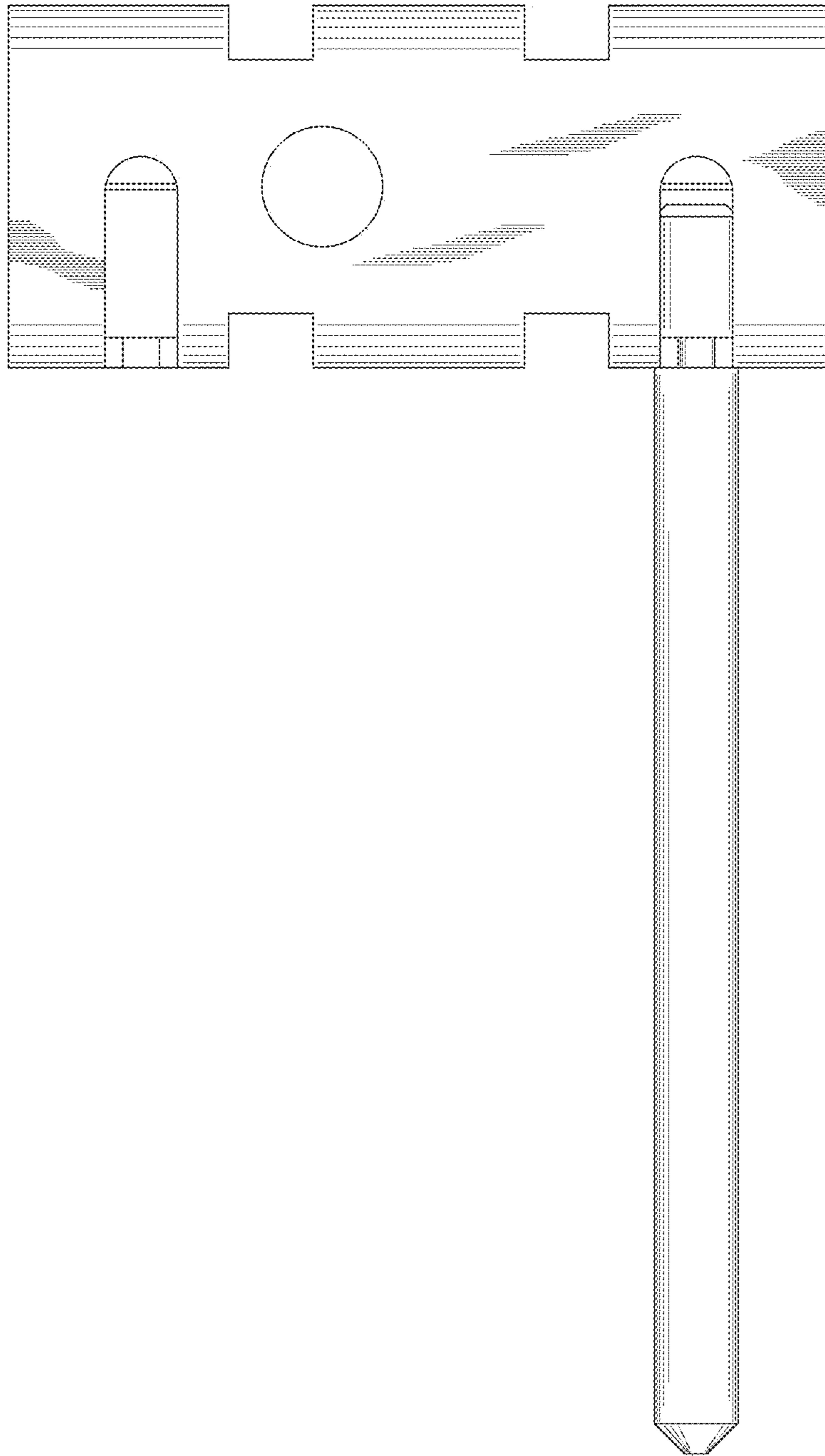


FIG. 6

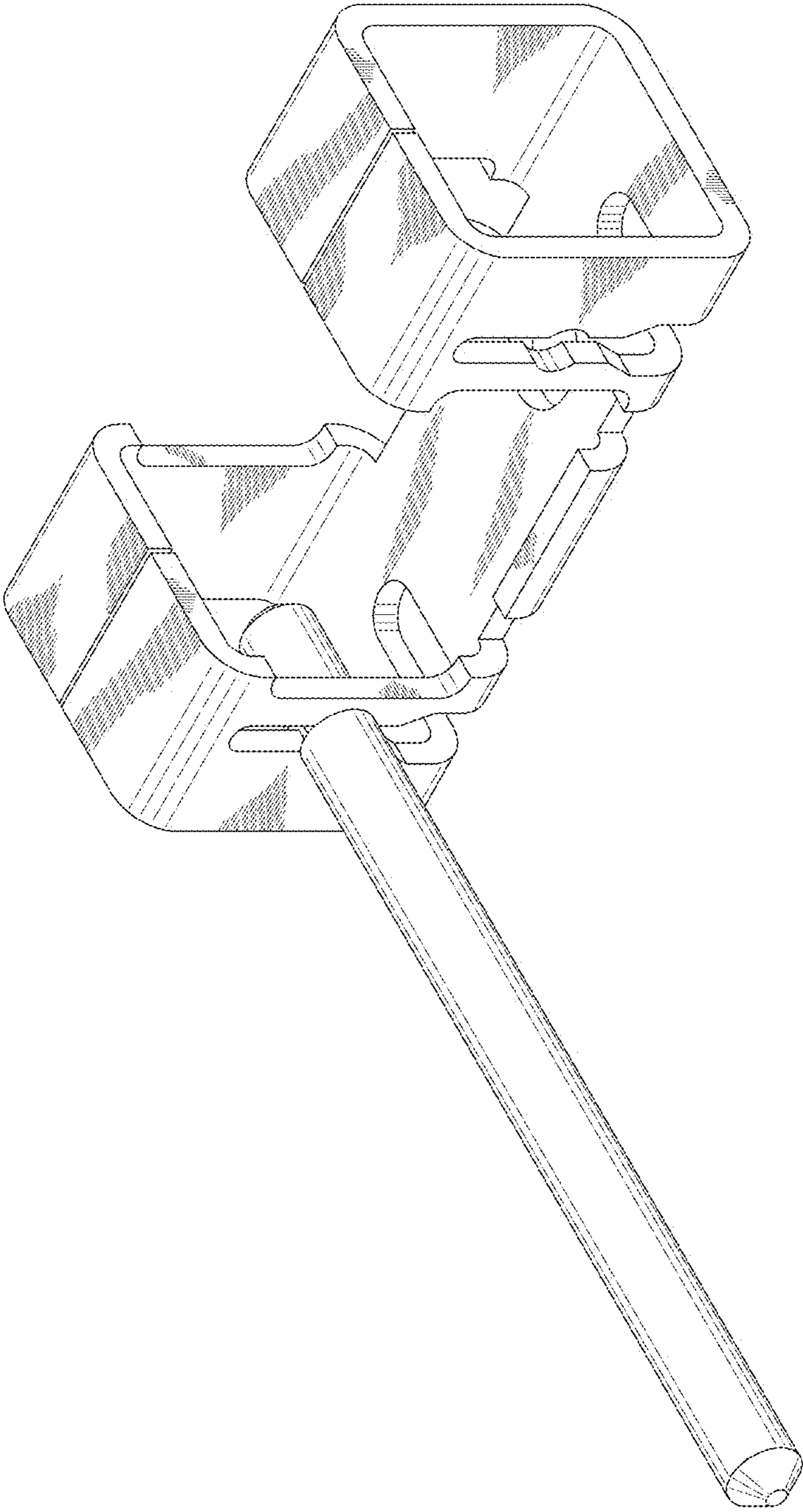


FIG.7

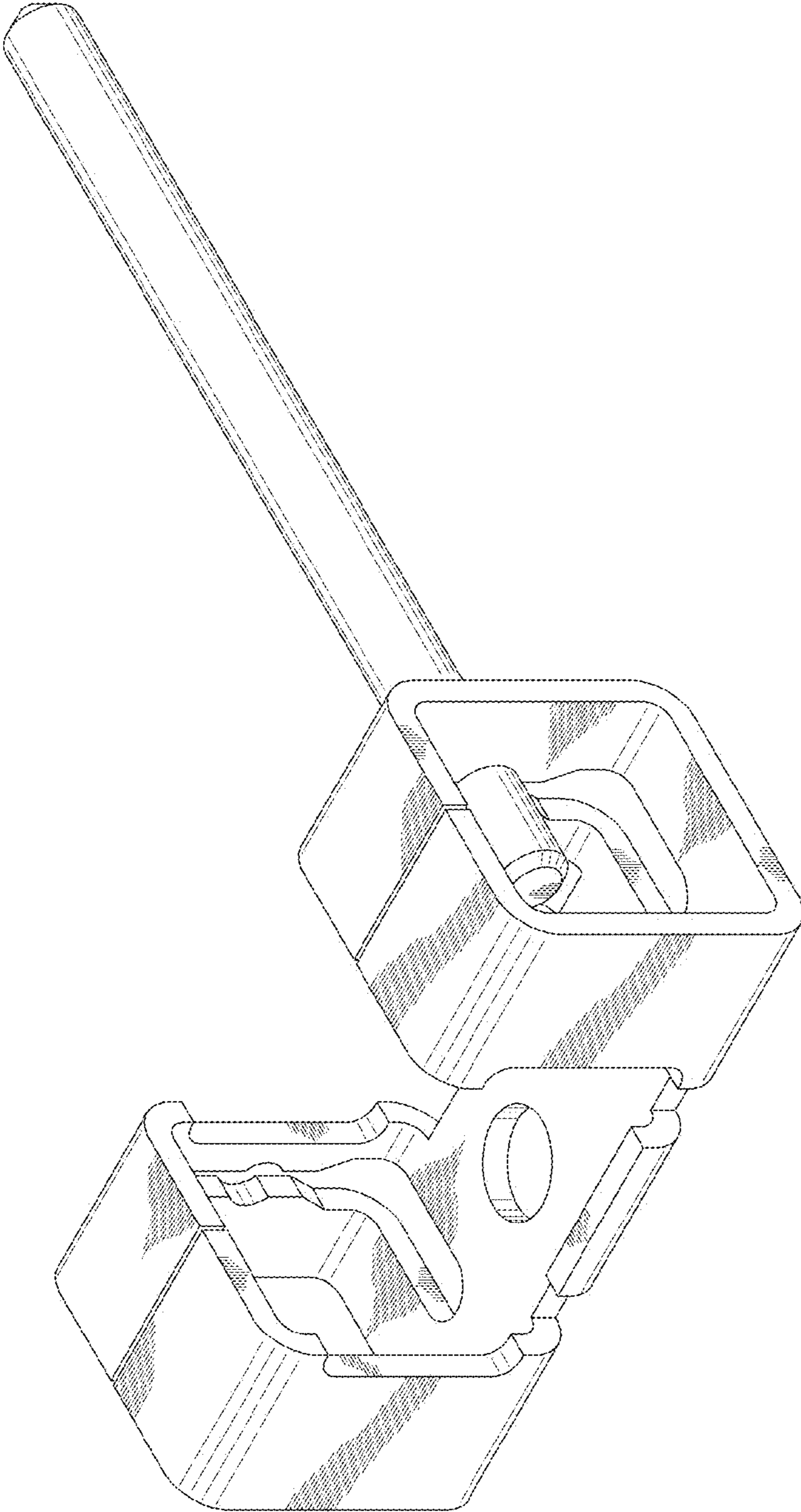


FIG.8