



US00D683704S

(12) **United States Design Patent**
Egan et al.

(10) **Patent No.:** **US D683,704 S**
(45) **Date of Patent:** **** Jun. 4, 2013**

(54) **WALL-MOUNTED DIGITAL TERMINAL ADAPTER**

(75) Inventors: **Chris Egan**, Parker, CO (US); **Brent Robert Smith**, North Vancouver (CA); **Tom Lambrecht**, Parker, CO (US); **Perfecto D. Martinez**, Castle Rock, CO (US); **Kee Cheol Lee**, Gyeonggi-Do (KR); **Jong Woong Park**, Seoul (KR)

(73) Assignee: **Evolution Digital, LLC**, Centennial, CO (US)

(**) Term: **14 Years**

(21) Appl. No.: **29/405,146**

(22) Filed: **Oct. 28, 2011**

(51) **LOC (9) Cl.** **13-03**

(52) **U.S. Cl.**
USPC **D13/151**

(58) **Field of Classification Search**
USPC D13/133, 146, 147, 151, 154, 158,
D13/184, 199; D14/125, 217, 230, 239, 299;
174/59; 333/100, 101, 206; 439/63, 579,
439/578, 581, 709

See application file for complete search history.

(56) **References Cited**

U.S. PATENT DOCUMENTS

3,845,454	A	10/1974	Hayward et al.	
3,943,447	A	3/1976	Shomo, III	
4,401,952	A	8/1983	Basawapatna	
4,443,815	A	4/1984	Hempell	
4,554,516	A	11/1985	Basawapatna	
5,331,412	A	7/1994	Farmer et al.	
5,384,428	A	1/1995	Luu	
5,534,941	A	7/1996	Sie et al.	
5,768,084	A	6/1998	Chaudhry et al.	
D396,691	S *	8/1998	Shen	D13/147
5,845,190	A	12/1998	Bushue et al.	

D404,713	S *	1/1999	Hsiang	D13/147
5,881,361	A	3/1999	Mannette et al.	
D409,985	S *	5/1999	Hsiang	D13/151
6,038,425	A	3/2000	Jeffrey	
D425,021	S *	5/2000	Ko	D13/123
6,108,331	A	8/2000	Thompson	
D434,374	S *	11/2000	Ko	D13/123
D436,919	S *	1/2001	Wakefield et al.	D13/110
D443,859	S *	6/2001	Hogan	D13/133
6,423,900	B1	7/2002	Soules	
6,567,981	B1	5/2003	Jeffrey	
6,598,231	B1	7/2003	Basawapatna et al.	
6,727,775	B2	4/2004	Basawapatna et al.	
D492,295	S *	6/2004	Glatt	D14/240

(Continued)

OTHER PUBLICATIONS

Cisco Digital Transport Adapter 50, Data Sheet, dated prior to Oct. 28, 2011, 3 pages.

(Continued)

Primary Examiner — Thomas Johannes

(74) *Attorney, Agent, or Firm* — John R. Ley

(57) **CLAIM**

The ornamental design for a wall-mounted digital terminal adapter, shown and described.

DESCRIPTION

FIG. 1 is a perspective view of the wall-mounted digital terminal adapter showing our new design from the front, bottom and left sides;

FIG. 2 is a perspective view thereof showing our new design from the rear, bottom and right sides;

FIG. 3 is a front side elevational view thereof;

FIG. 4 is a rear side elevational view thereof;

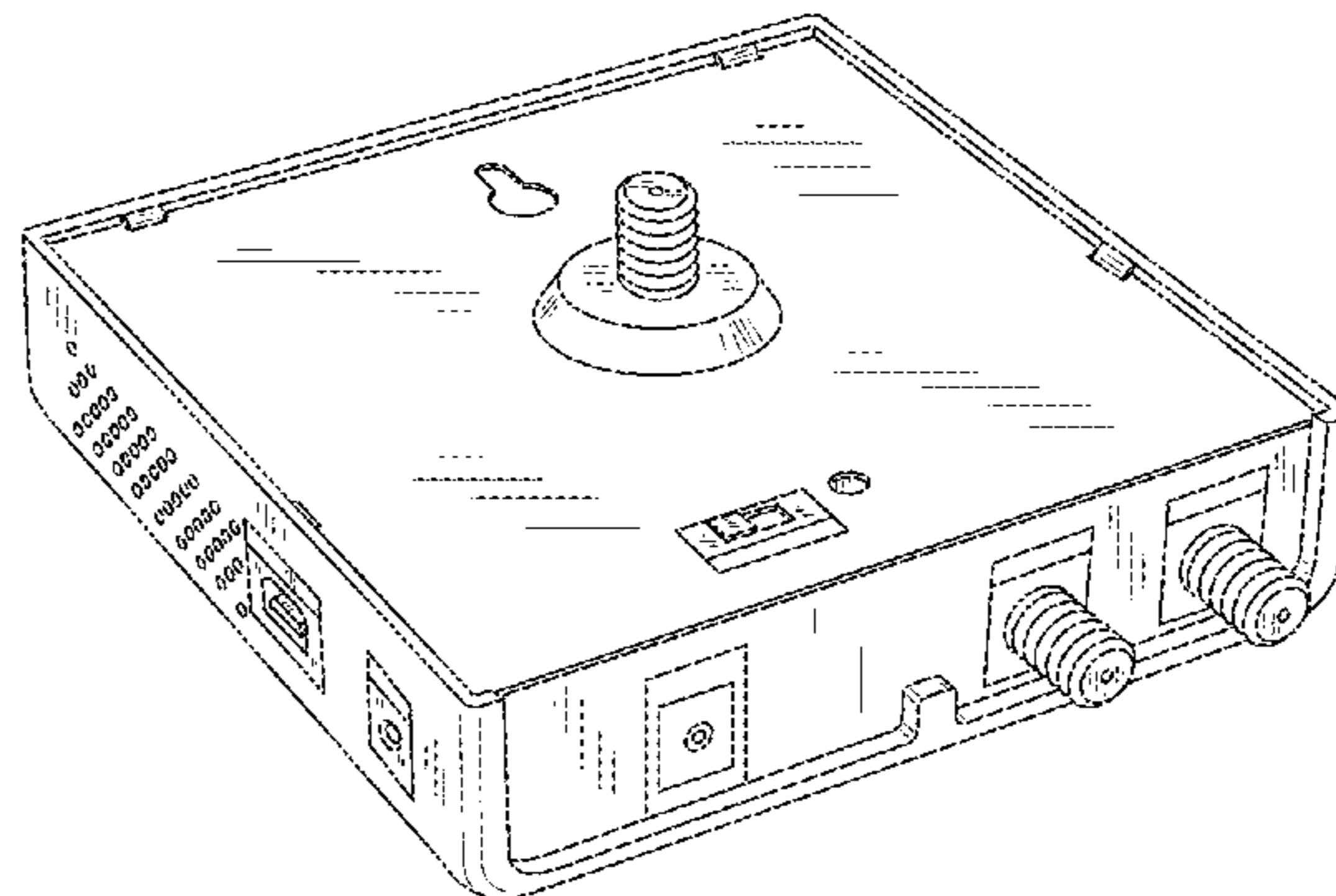
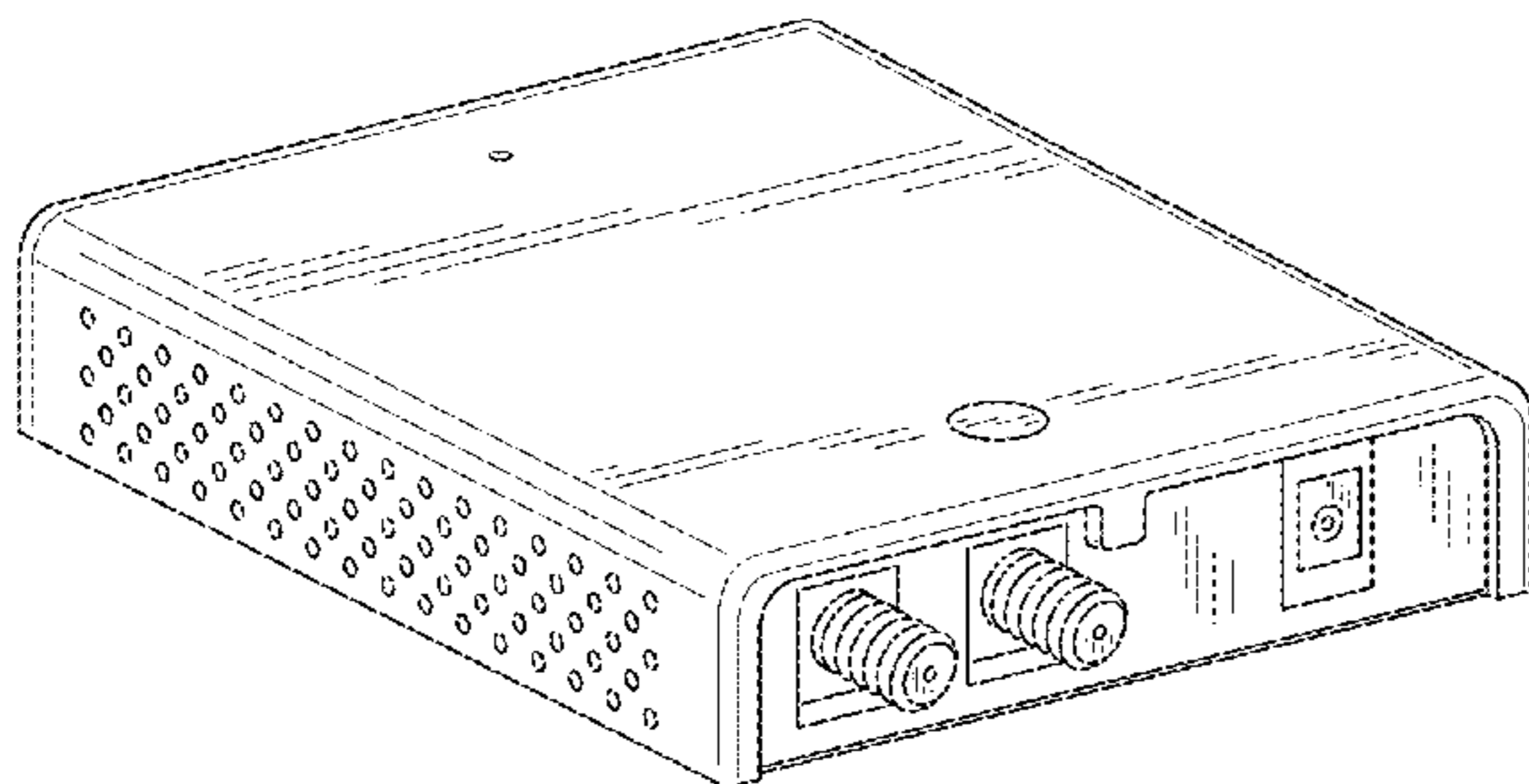
FIG. 5 is a top side plan view thereof;

FIG. 6 is a bottom side plan view thereof;

FIG. 7 is a right side elevational view thereof; and,

FIG. 8 is a left side elevational view thereof.

1 Claim, 6 Drawing Sheets



US D683,704 S

Page 2

U.S. PATENT DOCUMENTS

6,745,392 B1 6/2004 Basawapatna et al.
6,973,662 B1 12/2005 Sie et al.
6,983,480 B1 1/2006 Sie et al.
7,024,679 B1 4/2006 Sie et al.
7,027,431 B1 4/2006 Thompson
7,228,559 B1 6/2007 Sie et al.
7,240,359 B1 7/2007 Sie et al.
7,247,793 B2 7/2007 Hinkson et al.
7,322,860 B2 1/2008 Martich et al.
7,436,842 B2 10/2008 Binder
D579,871 S * 11/2008 Hsiau D13/133
7,453,895 B2 11/2008 Binder
7,563,131 B2 7/2009 Sullivan et al.
7,637,772 B2 12/2009 Wang
D607,413 S * 1/2010 Egan et al. D13/151
D607,414 S * 1/2010 Egan et al. D13/151
7,690,022 B2 3/2010 Basawapatna et al.
7,747,982 B1 6/2010 Sie et al.
D623,598 S * 9/2010 Kondo D13/151
7,860,084 B2 12/2010 Binder
7,873,058 B2 1/2011 Binder
7,873,062 B2 1/2011 Binder
7,881,462 B2 2/2011 Hazani et al.
7,889,720 B2 2/2011 Binder
D661,255 S * 6/2012 Kane D13/151
D671,490 S * 11/2012 Zaslavsky et al. D13/110

D671,491 S * 11/2012 Zaslavsky et al. D13/110
2002/0031224 A1 3/2002 Basawapatna et al.
2003/0099228 A1 5/2003 Alcock
2004/0060074 A1 3/2004 Basawapatna et al.
2004/0163124 A1 8/2004 Basawapatna et al.
2006/0075447 A1 4/2006 Arashin et al.
2007/0240193 A1 10/2007 Sie et al.
2008/0060040 A1 3/2008 Jeffery
2008/0274691 A1 11/2008 Shafer
2009/0013264 A1 1/2009 Basawapatna et al.
2009/0052144 A1 2/2009 Martich
2009/0221179 A1 9/2009 Citurs
2009/0247006 A1 10/2009 Thompson
2010/0173523 A1 7/2010 Magnezi et al.
2010/0261374 A1 10/2010 Hung
2010/0308948 A1 12/2010 Chapman et al.
2011/0028035 A1 2/2011 McAllister
2011/0091037 A1 4/2011 Pinder

OTHER PUBLICATIONS

Motorola DTA100, Digital Transport Adapter, dated prior to Oct. 28, 2011, 1 page.

Digital Television Adapter, Wikipedia, Jan. 17, 2011, 2 pages.

HDMI, High-Definition Multimedia Interface, Wikipedia, Sep. 17, 2011, 22 pages.

* cited by examiner

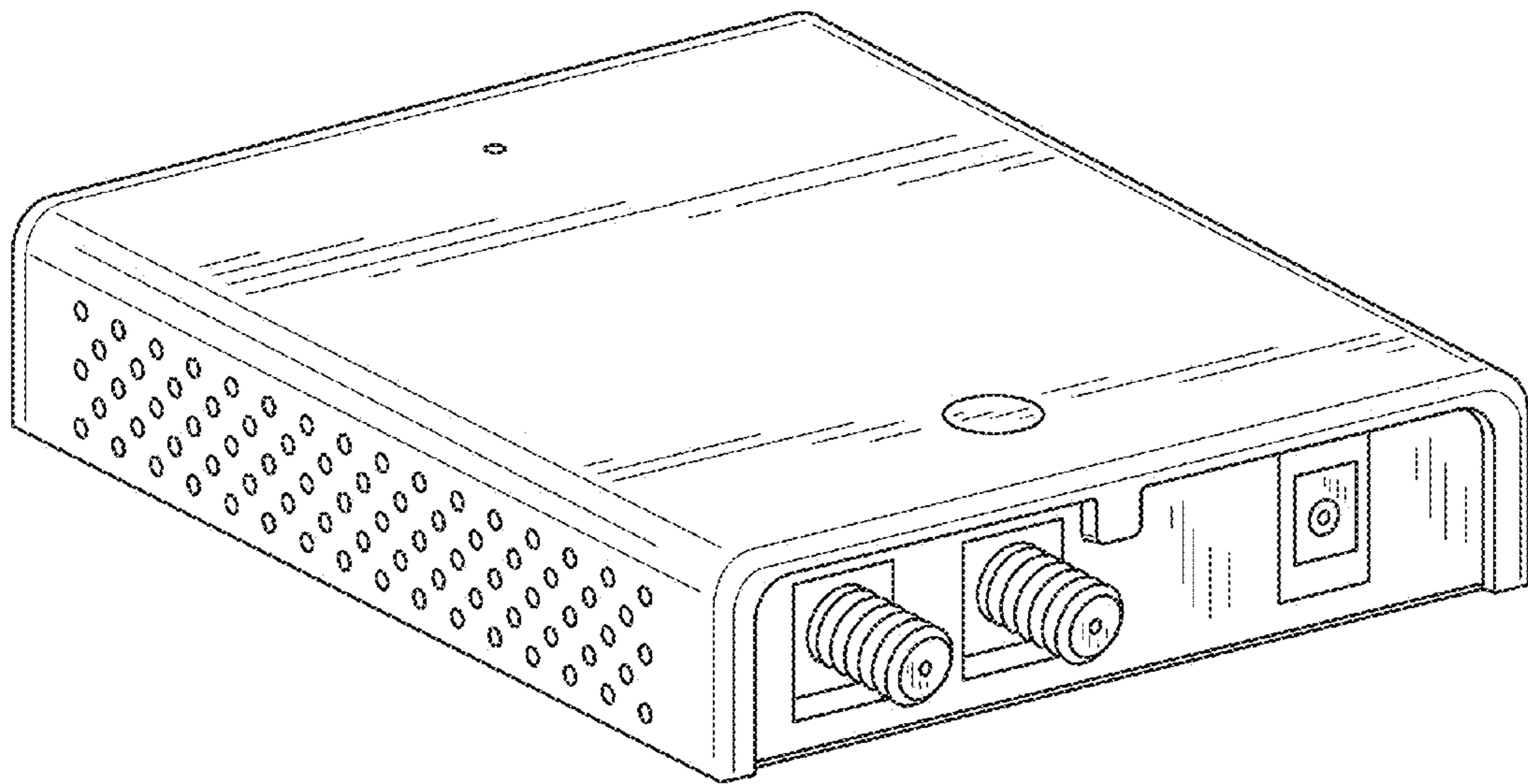


FIG.1

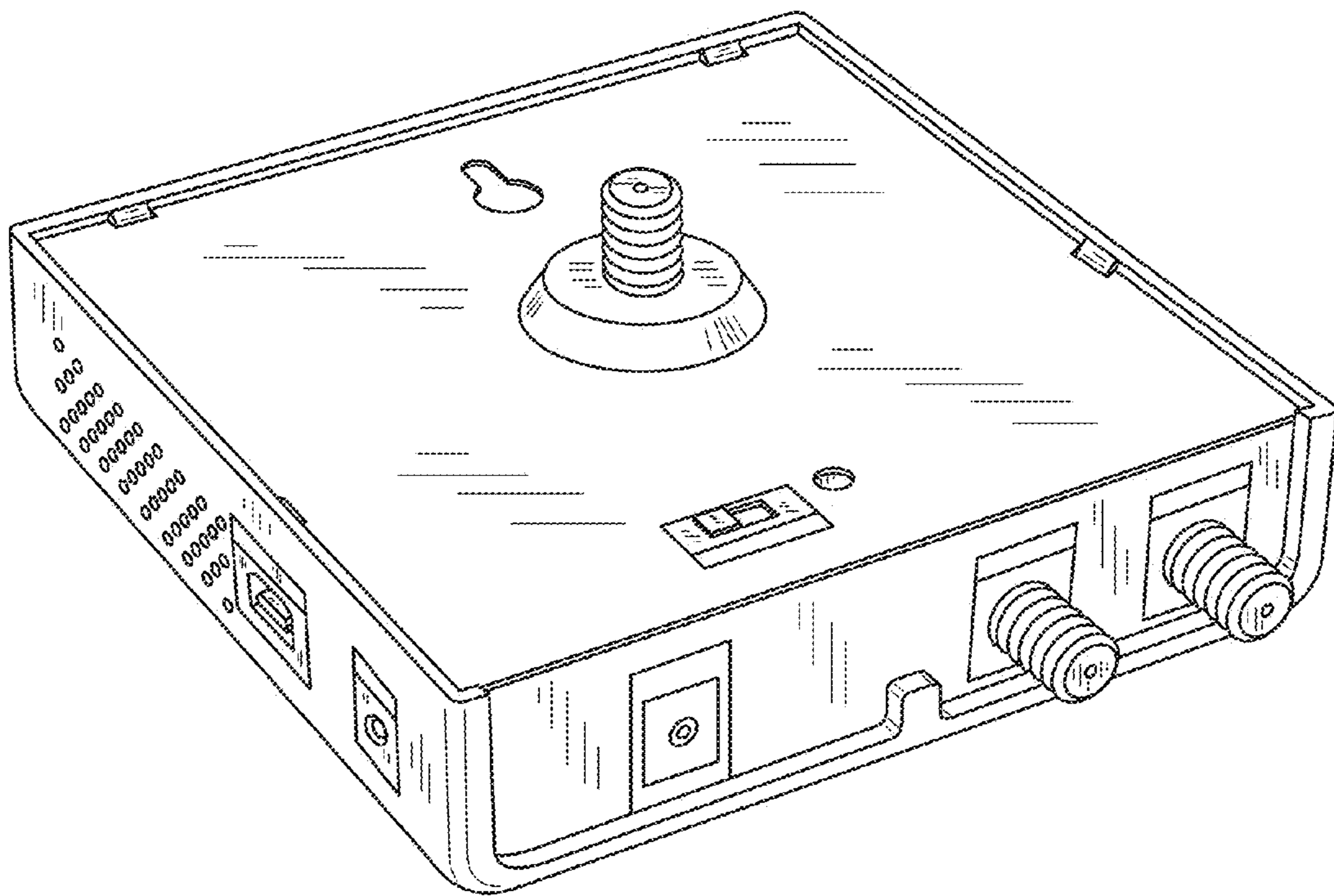


FIG.2

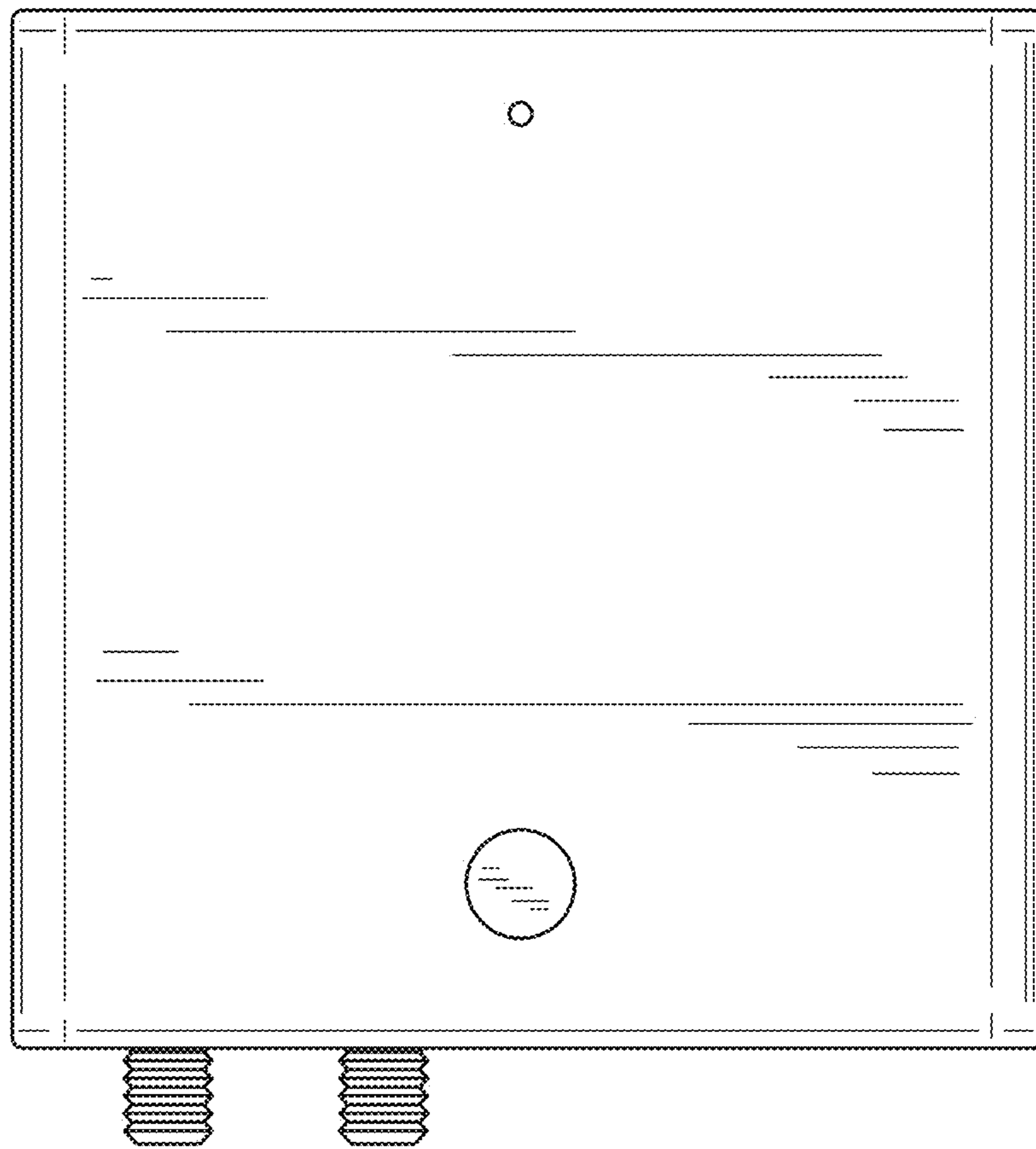


FIG. 3

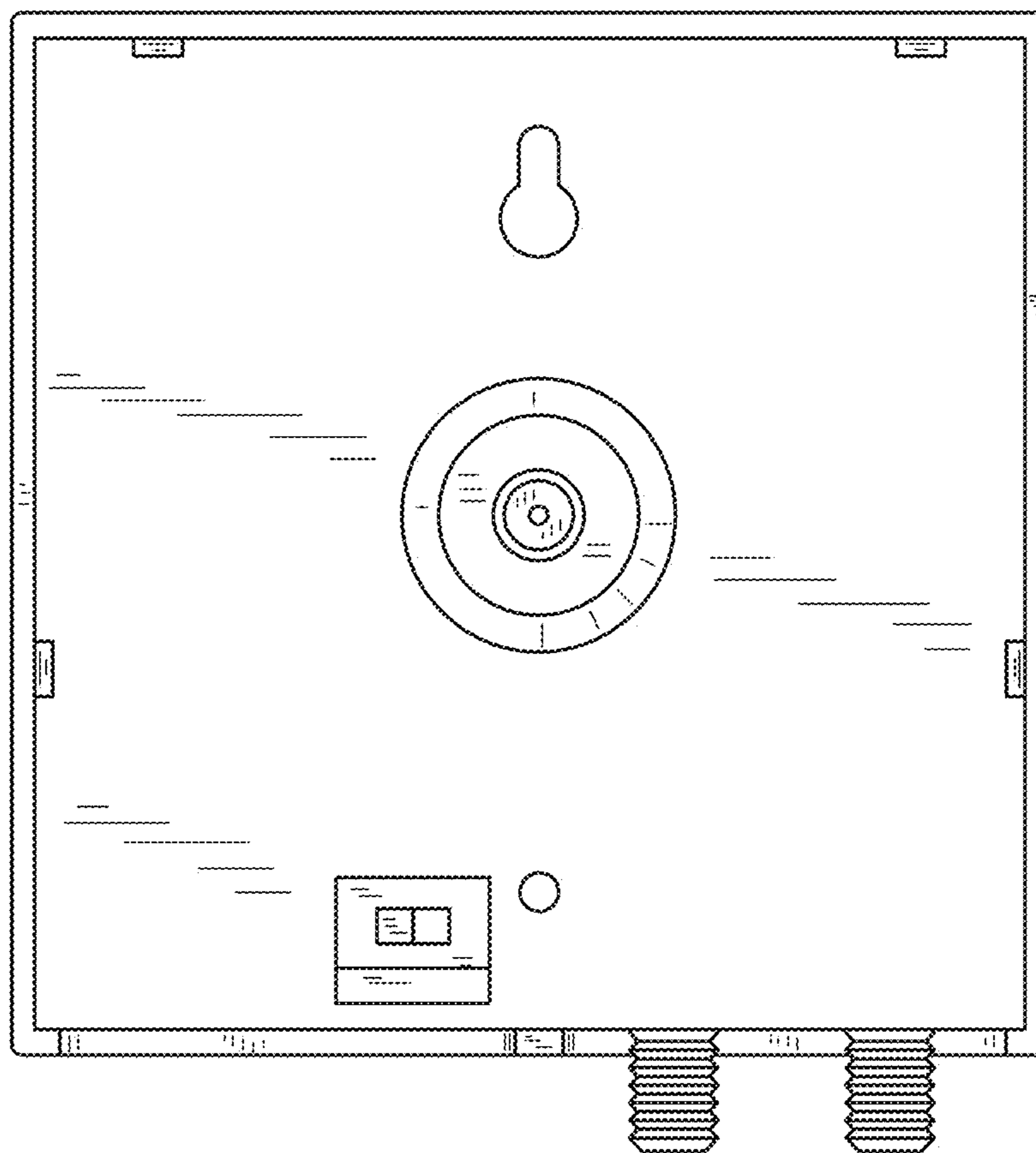


FIG.4

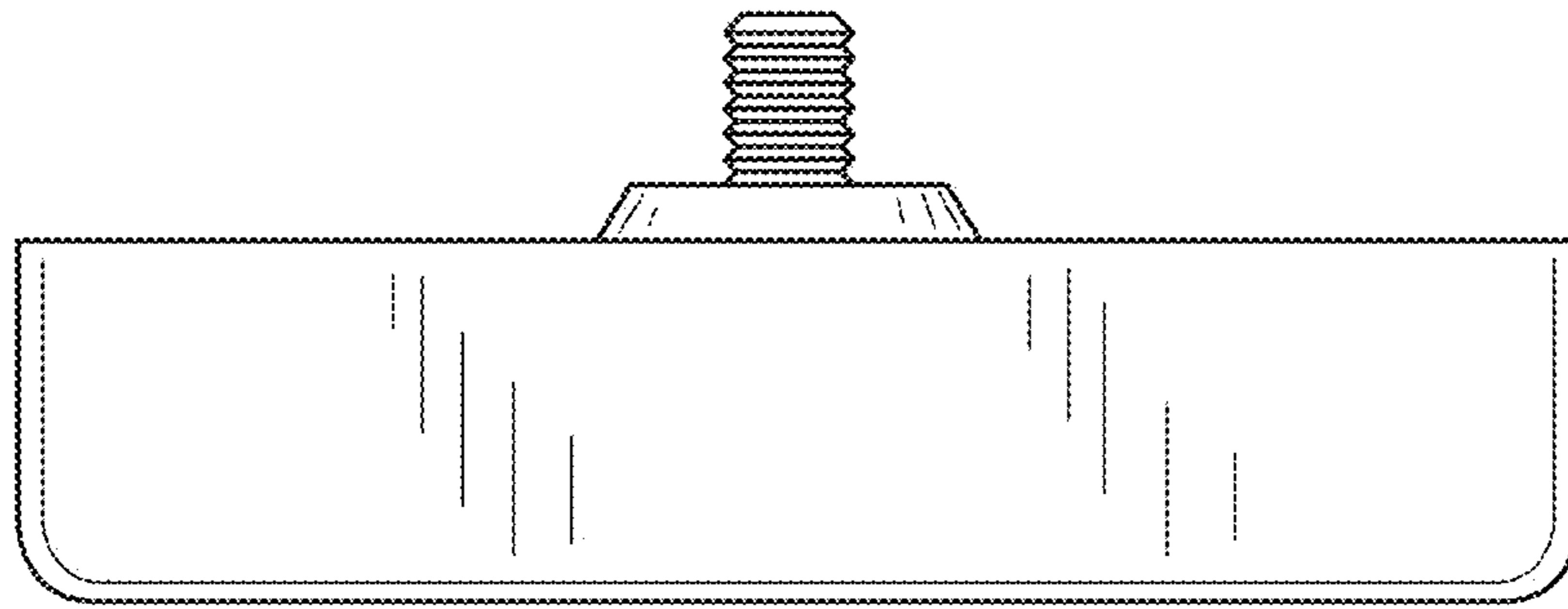


FIG. 5

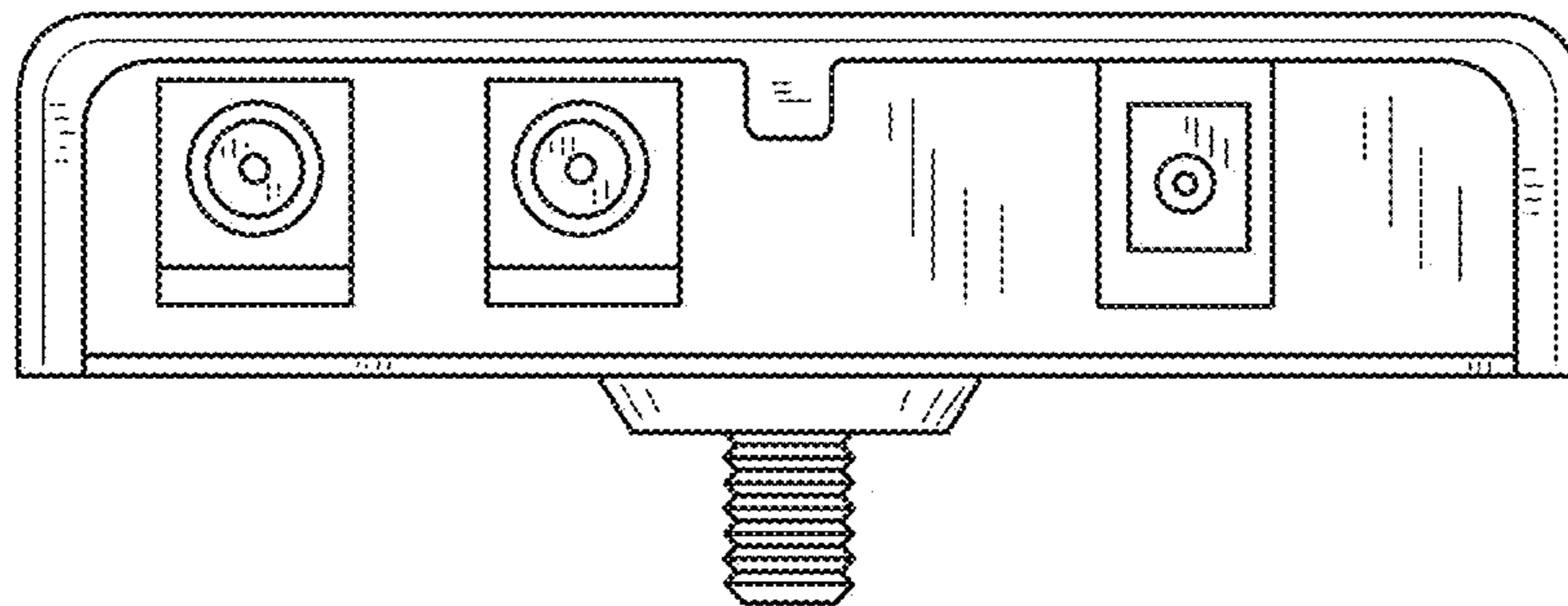


FIG. 6

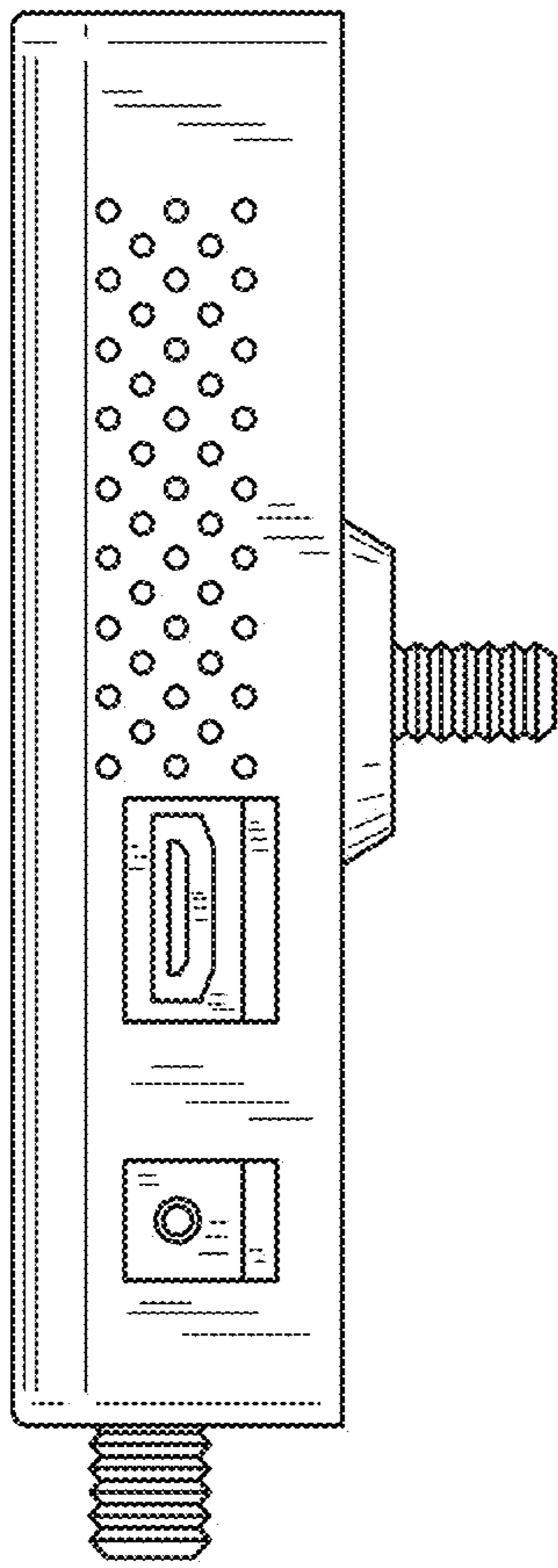


FIG. 7

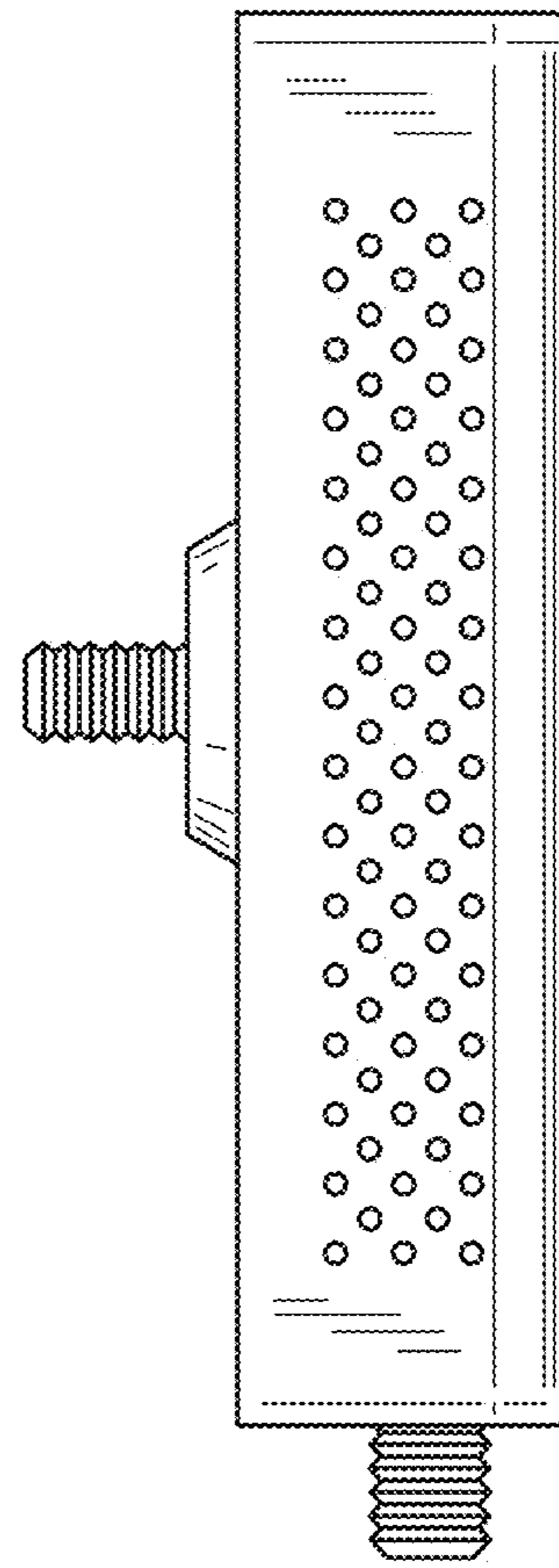


FIG. 8