



US00D683701S

(12) **United States Design Patent**
Svelnis et al.

(10) **Patent No.:** **US D683,701 S**
(45) **Date of Patent:** **** Jun. 4, 2013**

(54) **MID POWER PANEL RECEPTACLE**

(56) **References Cited**

(75) Inventors: **Christine M Svelnis**, Boylston, MA
(US); **Charles L York**, Townsend, MA
(US)

(73) Assignee: **Anderson Power Products, Inc.**,
Sterling, MA (US)

(**) Term: **14 Years**

(21) Appl. No.: **29/419,344**

(22) Filed: **Apr. 27, 2012**

(51) **LOC (9) Cl.** **13-03**

(52) **U.S. Cl.**
USPC **D13/133**

(58) **Field of Classification Search**
USPC D13/133, 123, 150, 151, 153, 154,
D13/156, 184, 199; 439/97, 98, 105, 108,
439/207, 208, 304, 310, 325, 338, 344, 345,
439/347, 350, 367, 370, 374, 527, 532, 533,
439/620.15, 894, 901, 903

See application file for complete search history.

U.S. PATENT DOCUMENTS

6,773,306 B2 *	8/2004	Plishner	439/620.15
7,395,166 B2 *	7/2008	Plishner	702/108
D581,364 S *	11/2008	Cummings et al.	D13/151
D613,246 S *	4/2010	Muecke et al.	D13/133
D627,733 S *	11/2010	Stütz	D13/147
D636,346 S *	4/2011	Svelnis et al.	D13/154
D662,892 S *	7/2012	Giefers et al.	D13/151

* cited by examiner

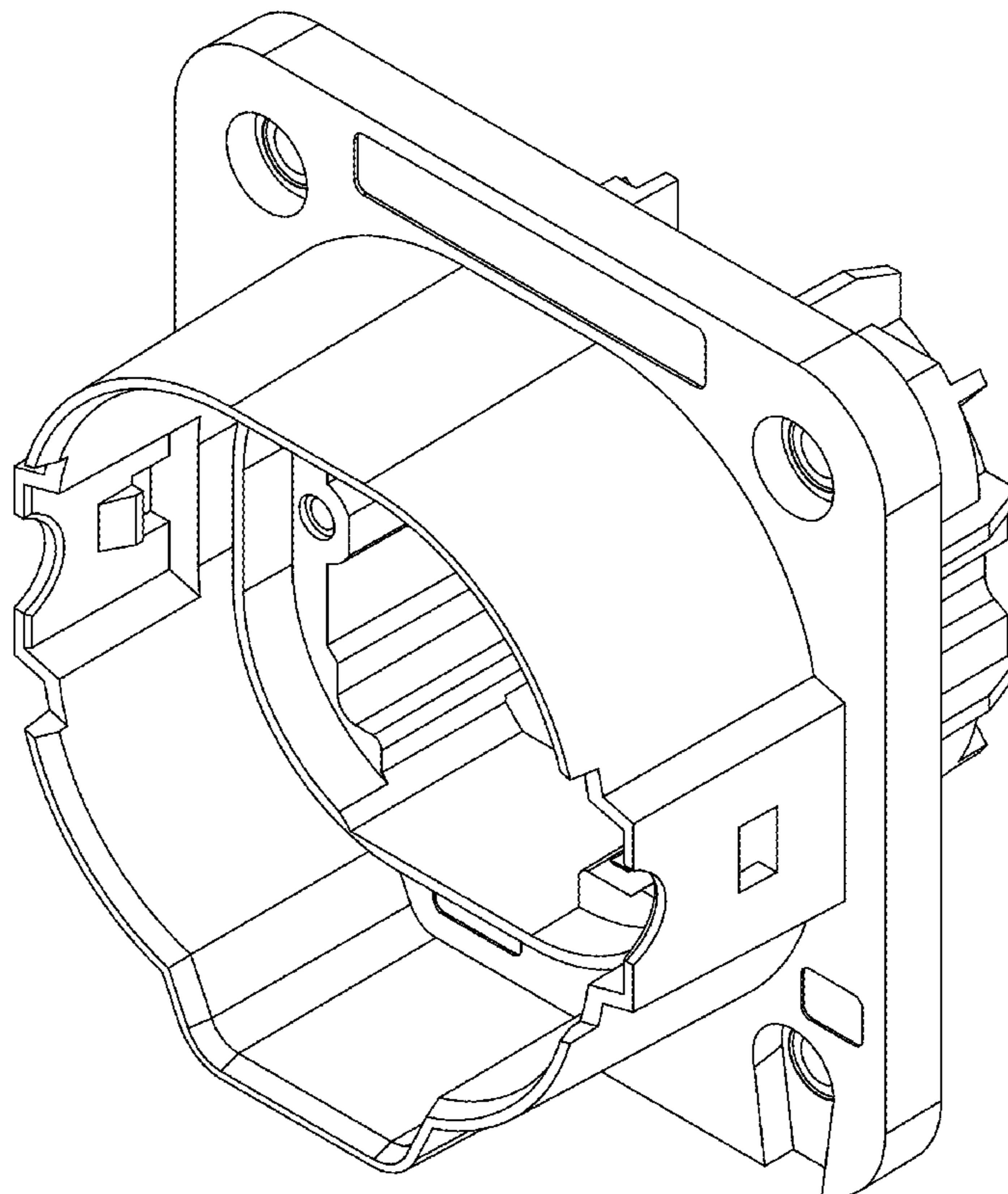
Primary Examiner — Derrick Holland
(74) *Attorney, Agent, or Firm* — Maine Cernota & Rardin

(57) **CLAIM**
The ornamental design for a mid power panel receptacle, as shown and described.

DESCRIPTION

FIG. 1 is a front elevation view of a mid power panel receptacle, showing our new design;
FIG. 2 is a right side elevation view thereof;
FIG. 3 is a left side elevation view thereof;
FIG. 4 is a top plan view thereof;
FIG. 5 is a bottom plan view thereof;
FIG. 6 is a back elevation view thereof;
FIG. 7 is a front, top and right side perspective view thereof;
and,
FIG. 8 is a back, bottom and left side perspective view thereof.

1 Claim, 8 Drawing Sheets



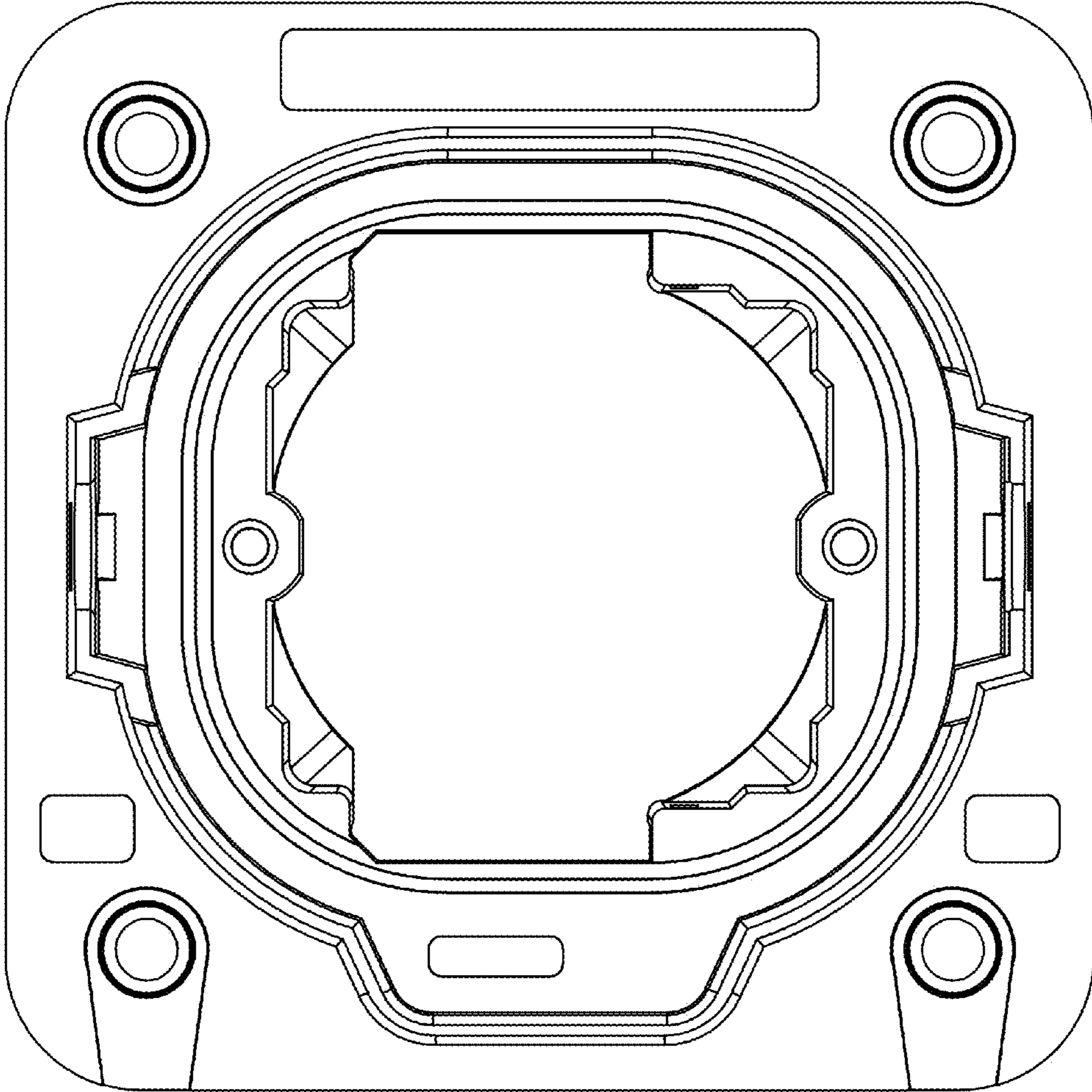


FIG. 1

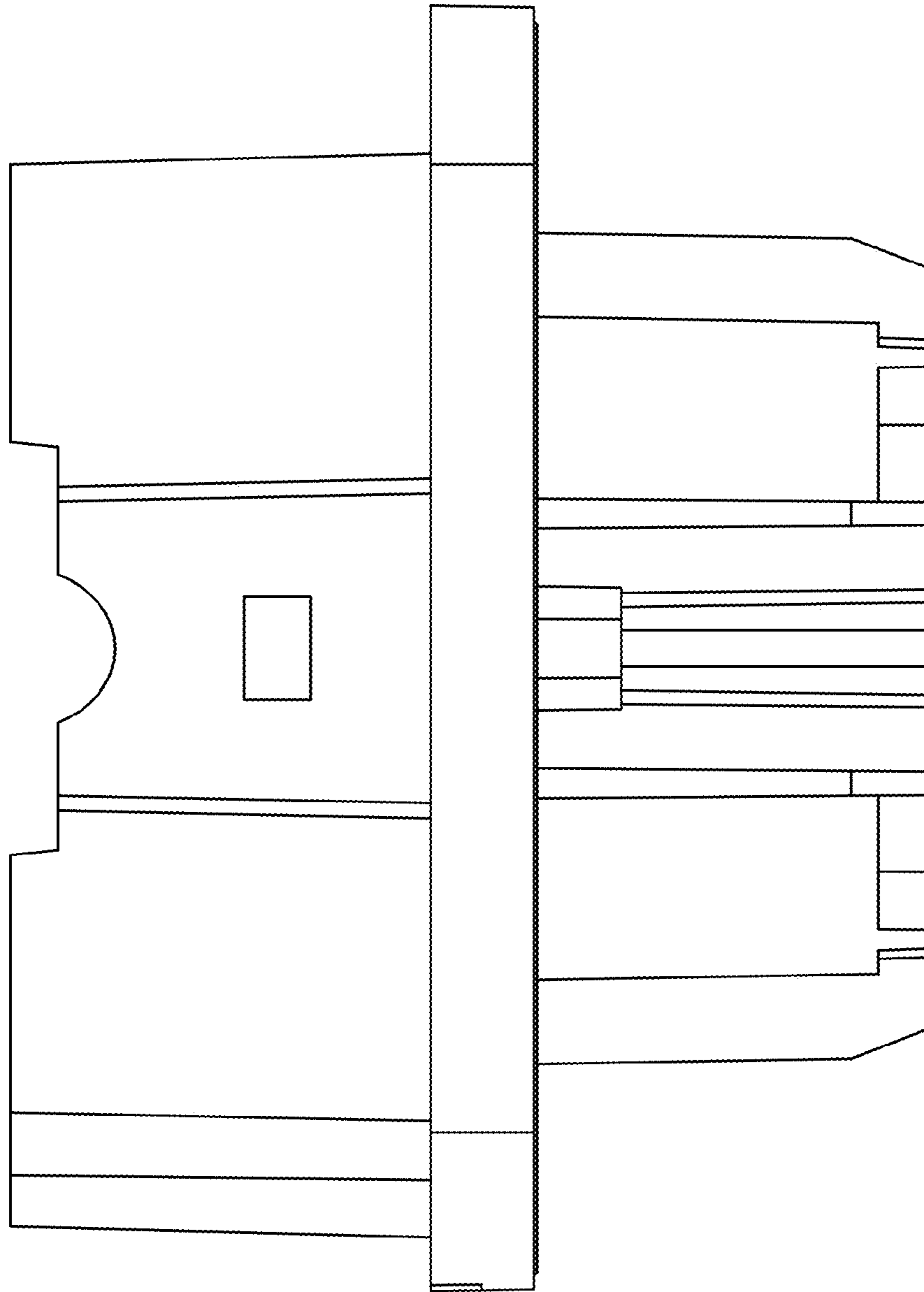


FIG. 2

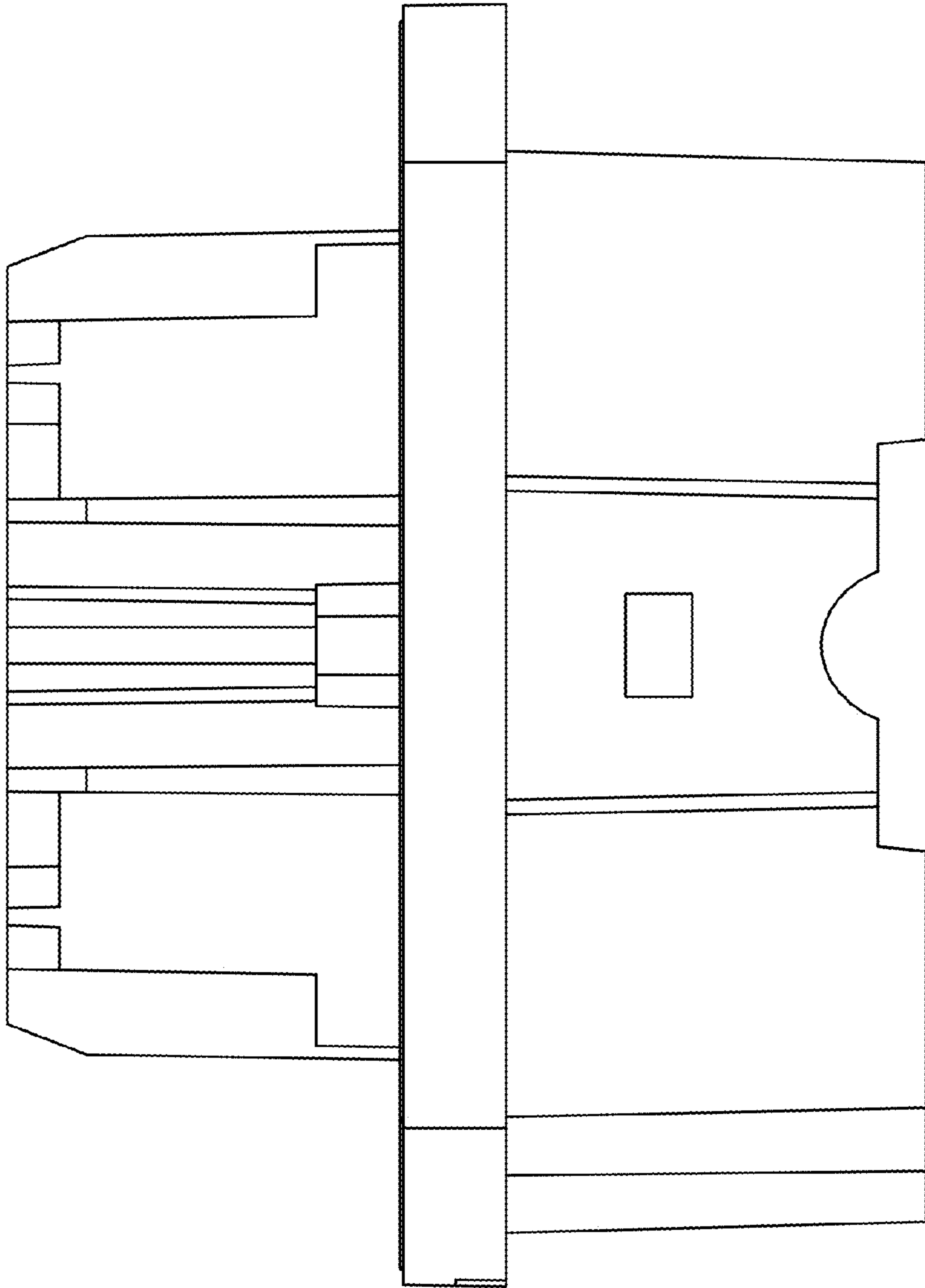


FIG. 3

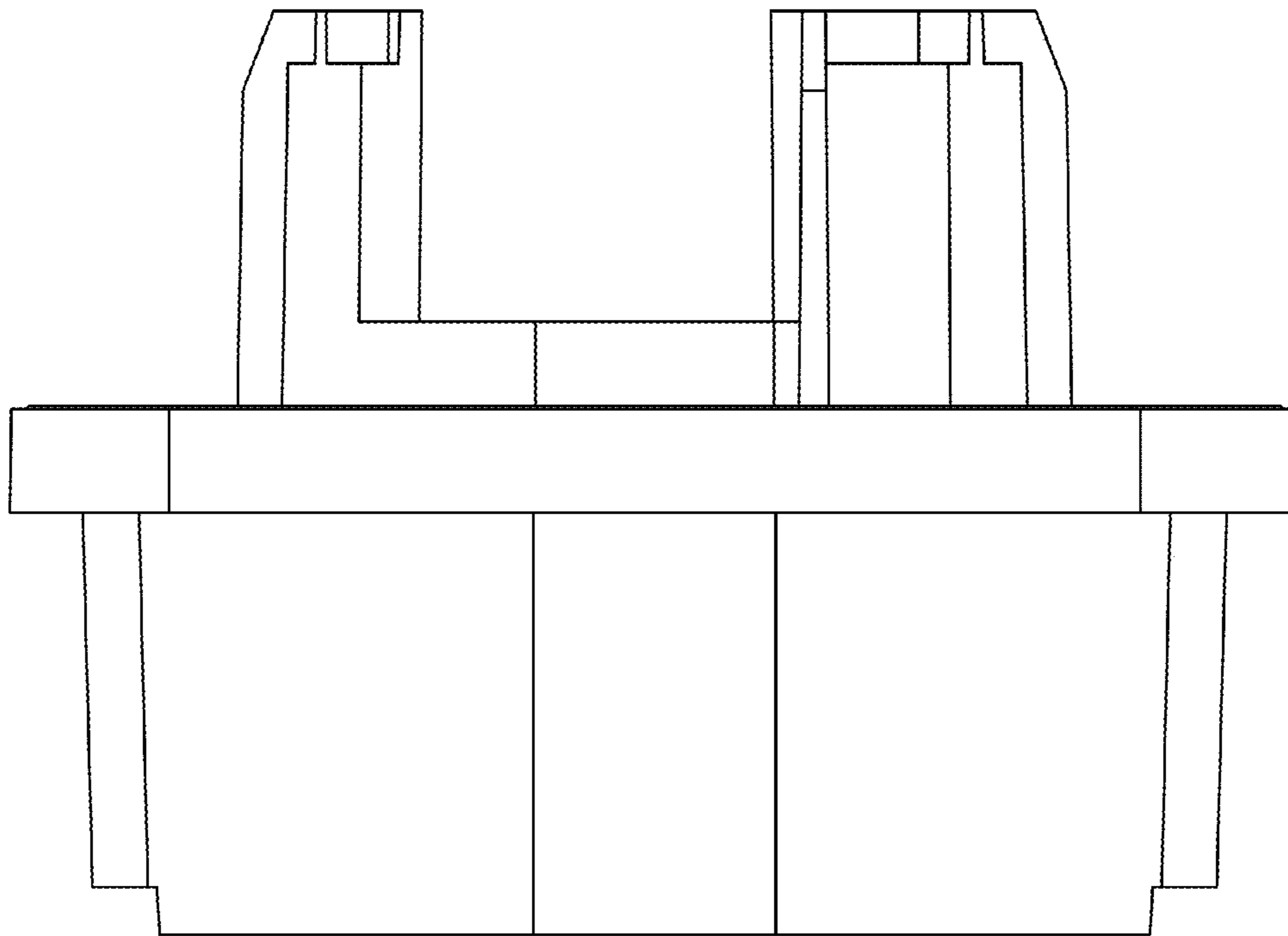


FIG. 4

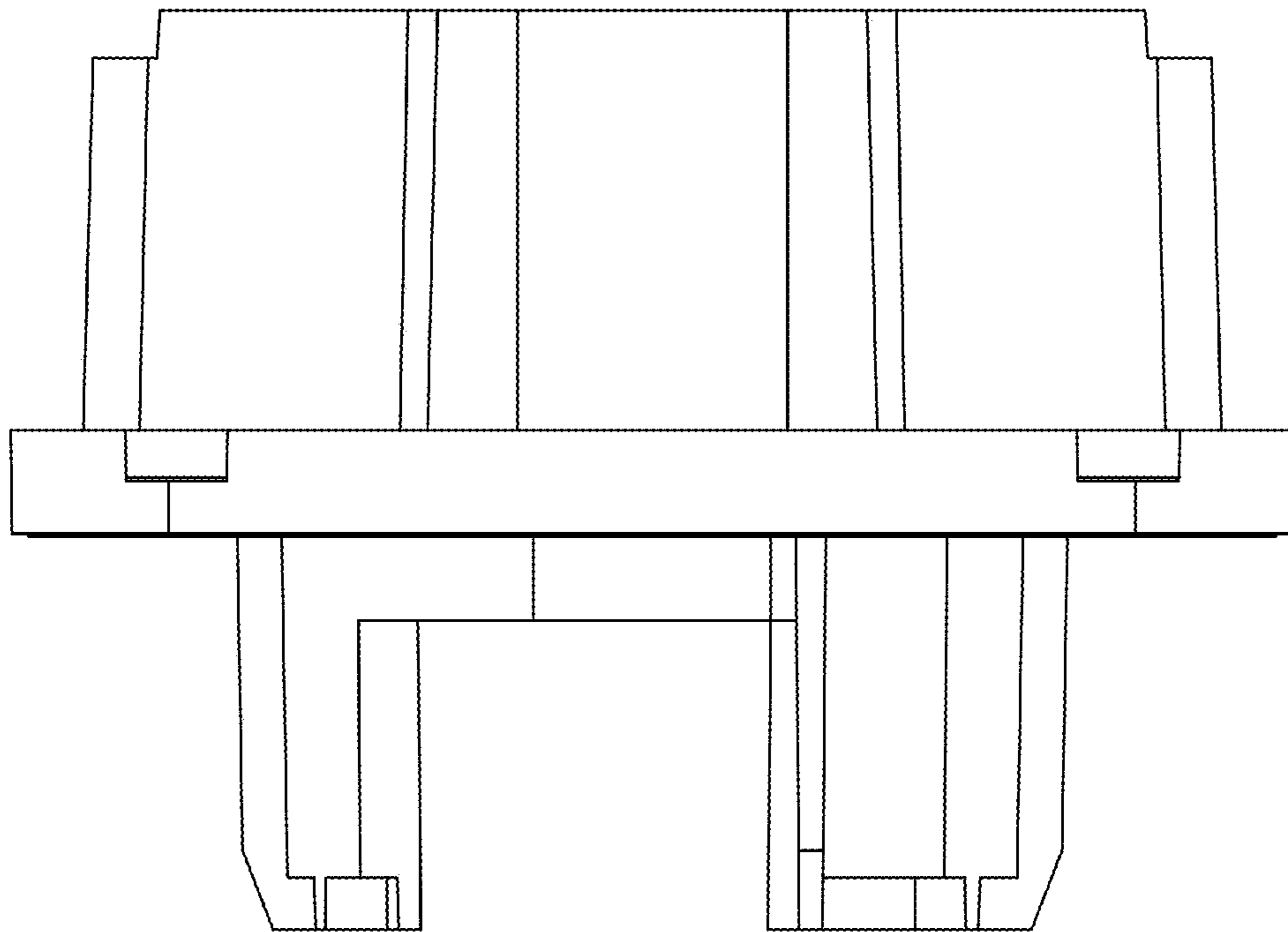


FIG. 5

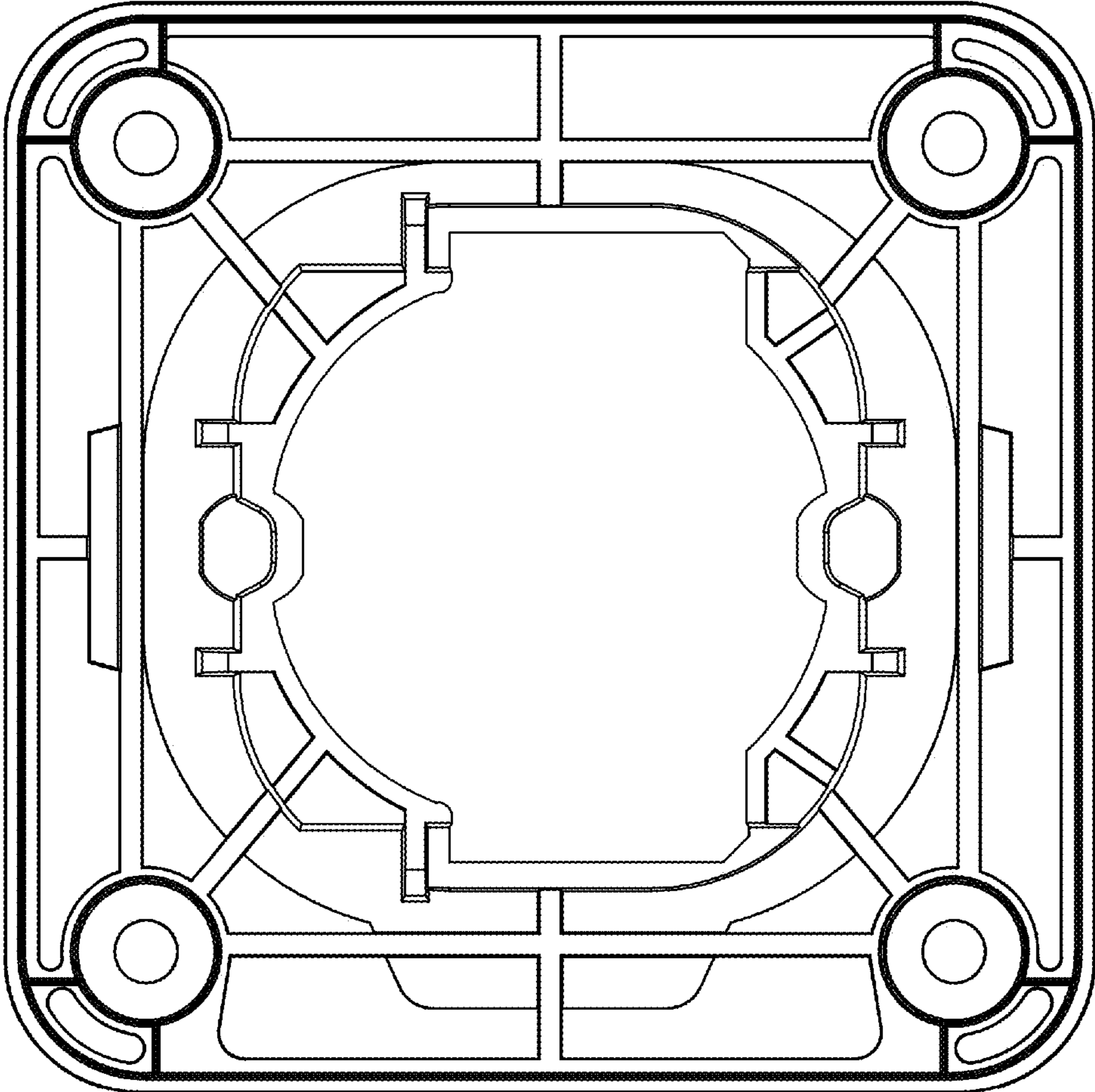


FIG. 6

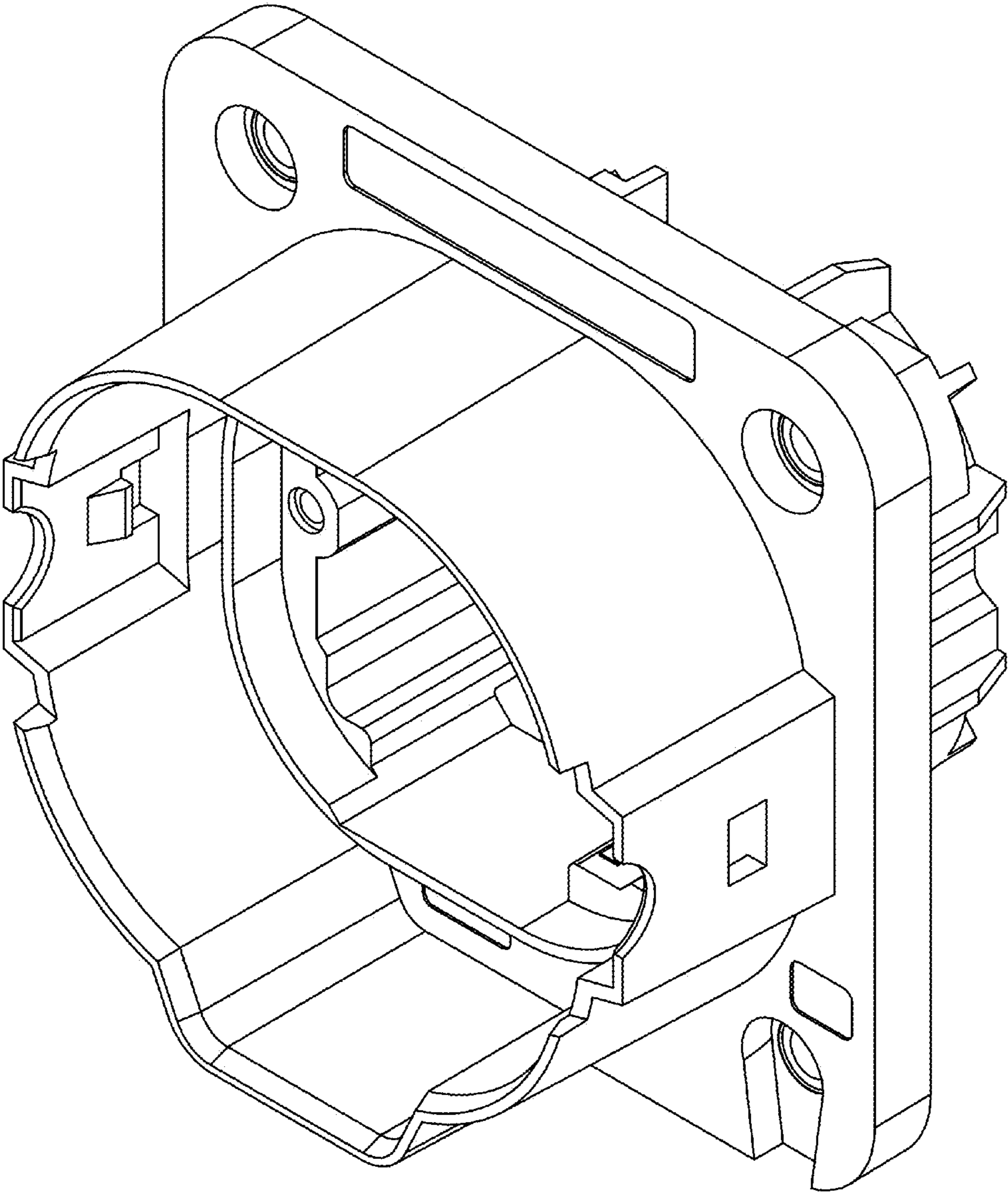


FIG. 7

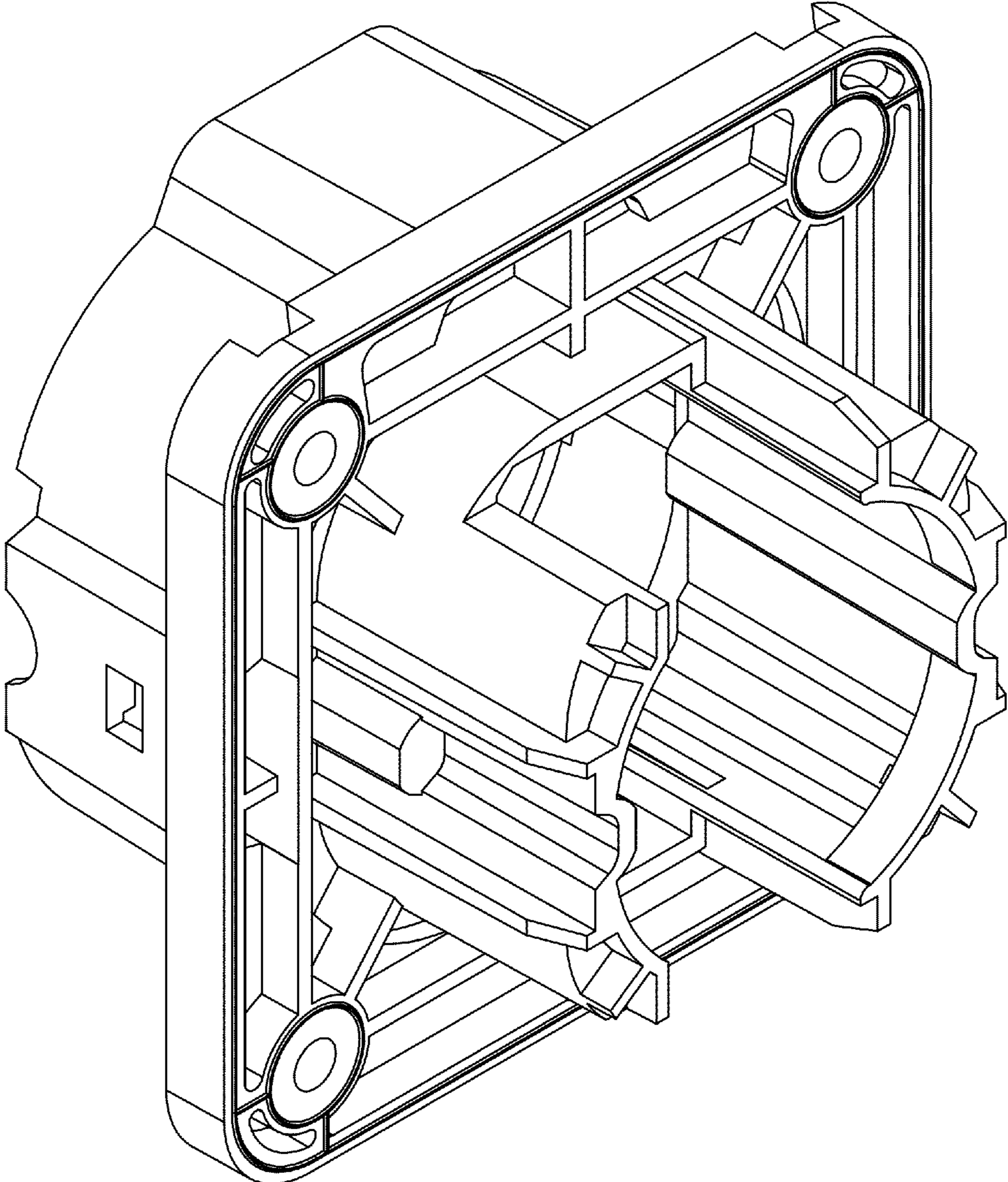


FIG. 8