



US00D683699S

(12) **United States Design Patent**
Damageux et al.

(10) **Patent No.:** **US D683,699 S**
(45) **Date of Patent:** **** Jun. 4, 2013**

(54) **WINDMILL SAIL**
(76) Inventors: **Sebastien Damageux, Lille (FR);**
Charles Sarrazin, Nice (FR)
(**) **Term: 14 Years**
(21) **Appl. No.: 29/411,960**
(22) **Filed: Jan. 27, 2012**
(51) **LOC (9) Cl. 13-01**
(52) **U.S. Cl.**
USPC D13/115
(58) **Field of Classification Search**
USPC D13/115, 101, 118, 199; D15/1,
D15/199; D21/458; 29/889.6, 889.7; 52/40,
52/745.09; 228/144, 173.6; 415/4.2, 4.4,
415/122.1, 191, 916; 416/24, 37, 38, 141,
416/142, 176, 177, 196 A, 197 A, 227 A,
416/227 R, 242
See application file for complete search history.

D305,419 S * 1/1990 Korneski D13/115
5,040,948 A 8/1991 Harburg
5,199,669 A 4/1993 Vogt et al.
D342,074 S 12/1993 Burns
6,957,946 B1 10/2005 Vander Kley
D610,542 S * 2/2010 Raisanen et al. D13/115
D641,699 S * 7/2011 Sayama et al. D13/115

* cited by examiner

Primary Examiner — Derrick Holland
(74) *Attorney, Agent, or Firm* — Blue Filament Law PLLC;
Avery N. Goldstein

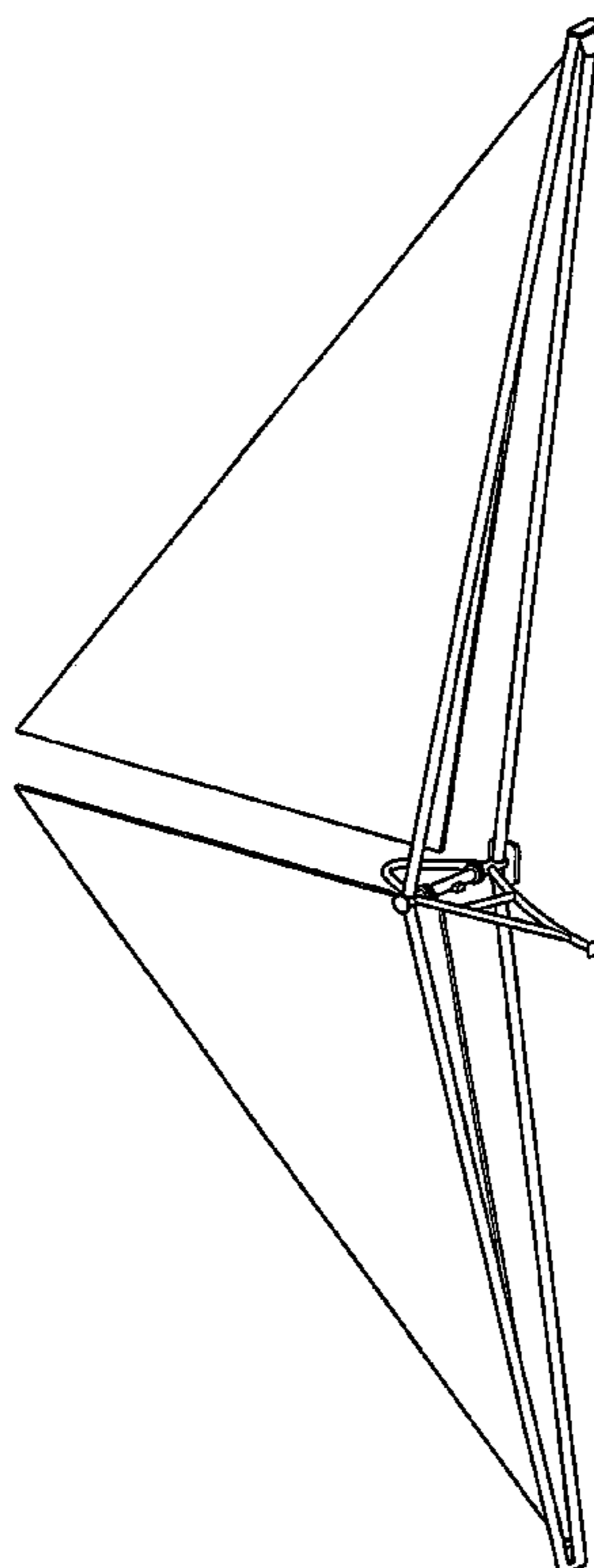
(57) **CLAIM**
The ornamental design for a windmill sail, as shown and described.

DESCRIPTION

FIG. 1 is a right side elevation view of a windmill sail showing our new design, the left side elevation view being a mirror image;
FIG. 2 is a first perspective view thereof;
FIG. 3 is a right side view thereof, in an alternate deployment state;
FIG. 4 is a left side view thereof, of that shown in FIG. 3;
FIG. 5 is a second perspective view thereof; and,
FIG. 6 is an enlarged plan view thereof.

(56) **References Cited**
U.S. PATENT DOCUMENTS
227,842 A 5/1880 Rudolph
2,015,777 A * 10/1935 Belding 416/132 R
4,066,911 A 1/1978 Sarchet
4,276,033 A 6/1981 Krovina
D275,010 S 8/1984 McLean
4,545,729 A 10/1985 Storm
D300,932 S 5/1989 Sikes

1 Claim, 3 Drawing Sheets



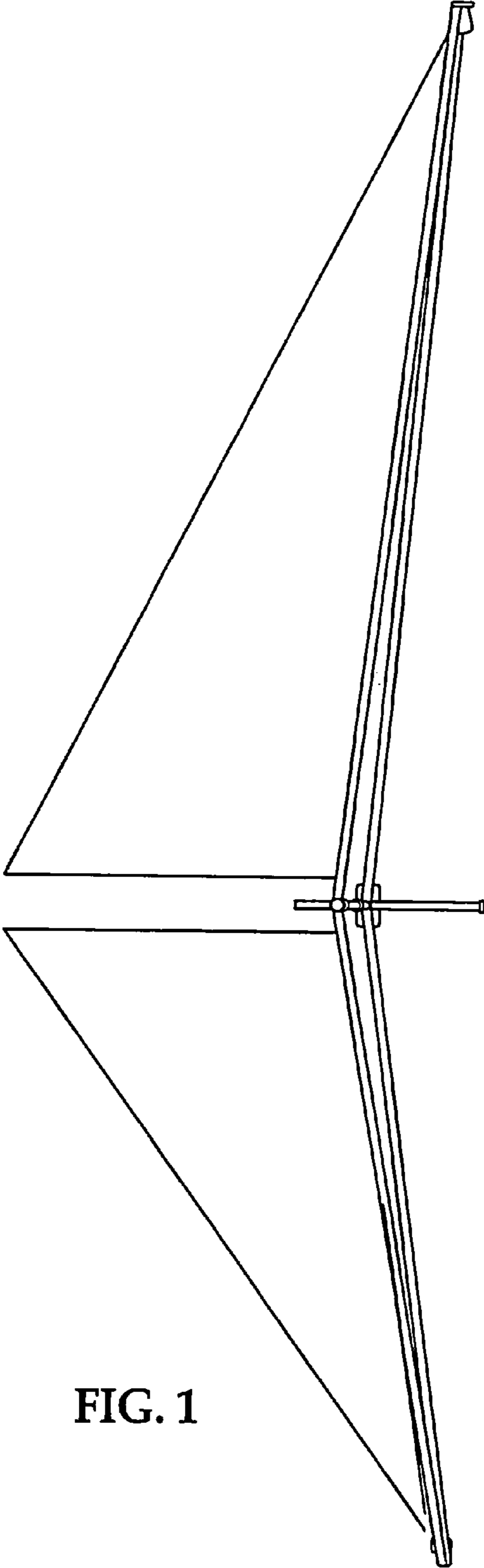


FIG. 1

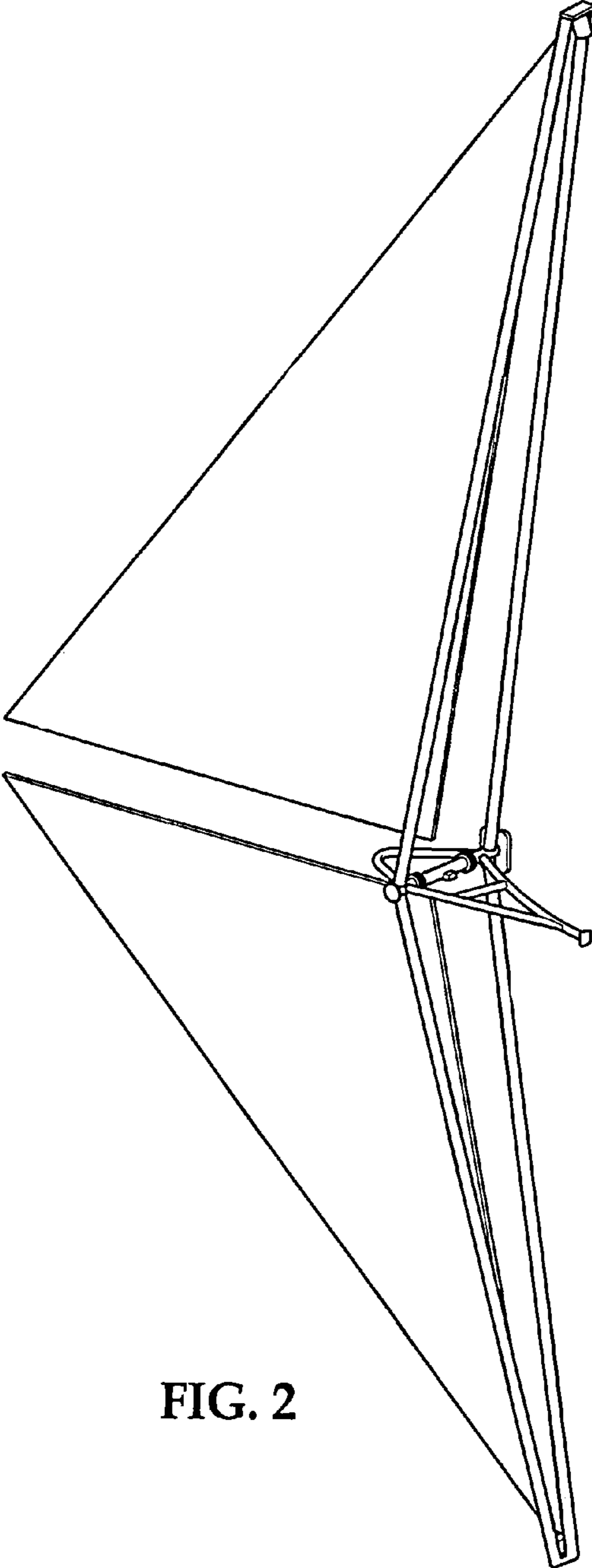


FIG. 2

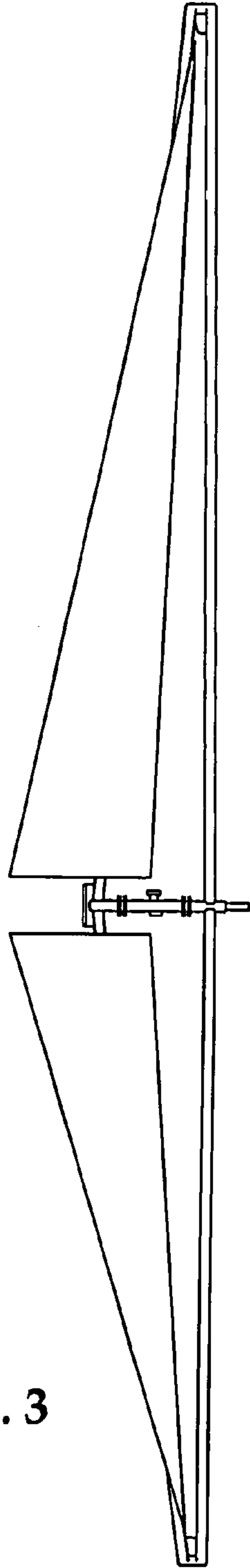


FIG. 3

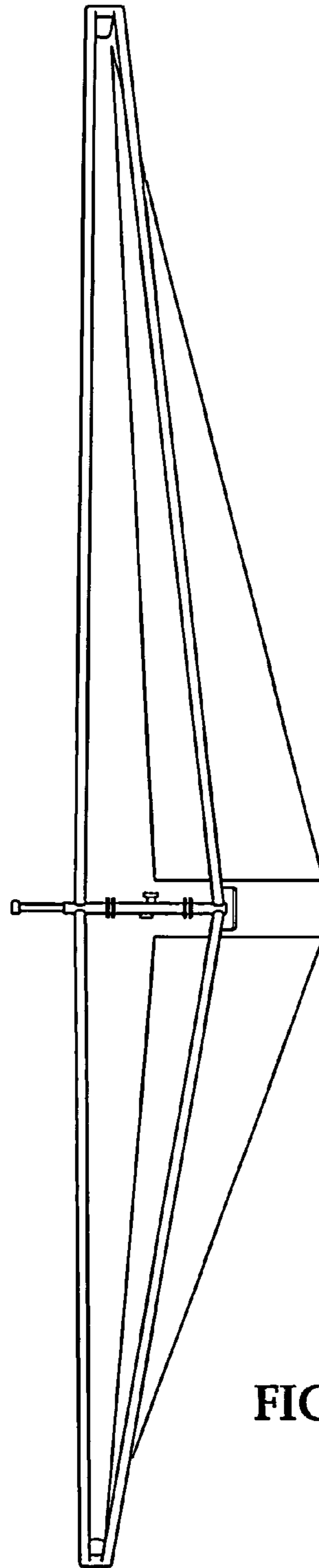


FIG. 4

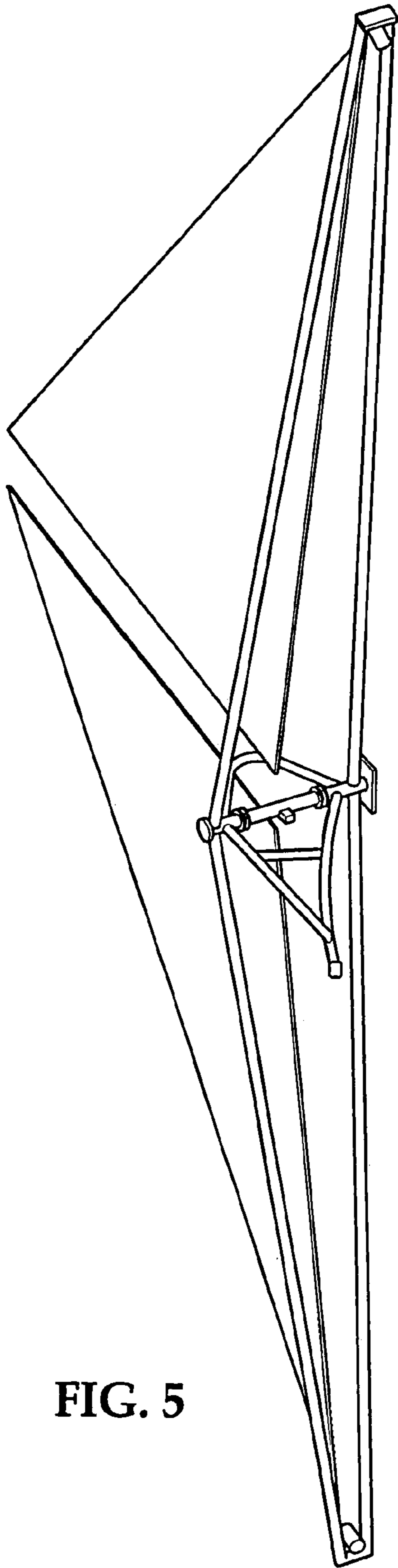


FIG. 5

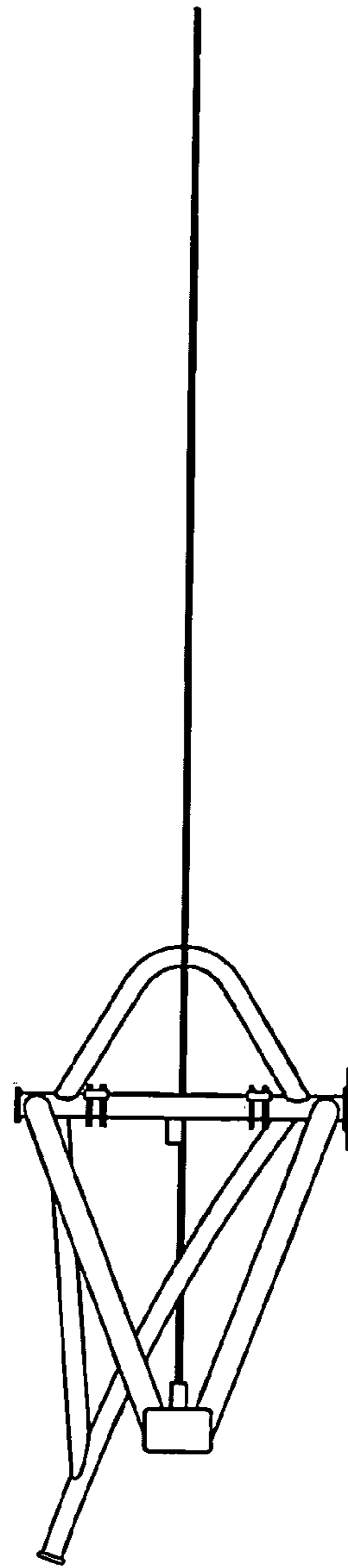


FIG. 6