



US00D683691S

(12) **United States Design Patent**
Rowsey

(10) **Patent No.:** **US D683,691 S**
(45) **Date of Patent:** **** Jun. 4, 2013**

(54) **INFLATABLE VEHICLE HEADREST CUSHION**

Primary Examiner — Katrina A Betton
(74) *Attorney, Agent, or Firm* — McHale & Slavin, P.A.

(76) Inventor: **Edward D. Rowsey**, Tequesta, FL (US)

(**) Term: **14 Years**

(57) **CLAIM**

The ornamental design for an inflatable vehicle headrest cushion, as shown and described.

(21) Appl. No.: **29/409,681**

(22) Filed: **Dec. 28, 2011**

(51) **LOC (9) Cl.** **12-16**

(52) **U.S. Cl.**
USPC **D12/416**

(58) **Field of Classification Search**
USPC D12/415, 416, 417, 418, 419; D3/319;
224/275; D6/611

See application file for complete search history.

DESCRIPTION

FIG. 1 is a front environmental view, illustrating an inflatable vehicle headrest cushion of the instant invention assembled to a headrest of a moving vehicle;

FIG. 2 is a rear environmental view, illustrating the inflatable vehicle headrest cushion assembled to a headrest of a moving vehicle;

FIG. 3 is a front perspective view of the inflatable vehicle headrest cushion;

FIG. 4 is a rear view thereof;

FIG. 5 is a top view thereof;

FIG. 6 is a bottom view thereof;

FIG. 7 is a left side view thereof; and,

FIG. 8 is a right side view thereof.

The breaks in the cord for the control mechanism in the drawing figures show no specific length.

The portions of the figures shown in broken lines illustrate unclaimed portions of the inflatable vehicle headrest cushion as well as environment and form no part of the claimed design.

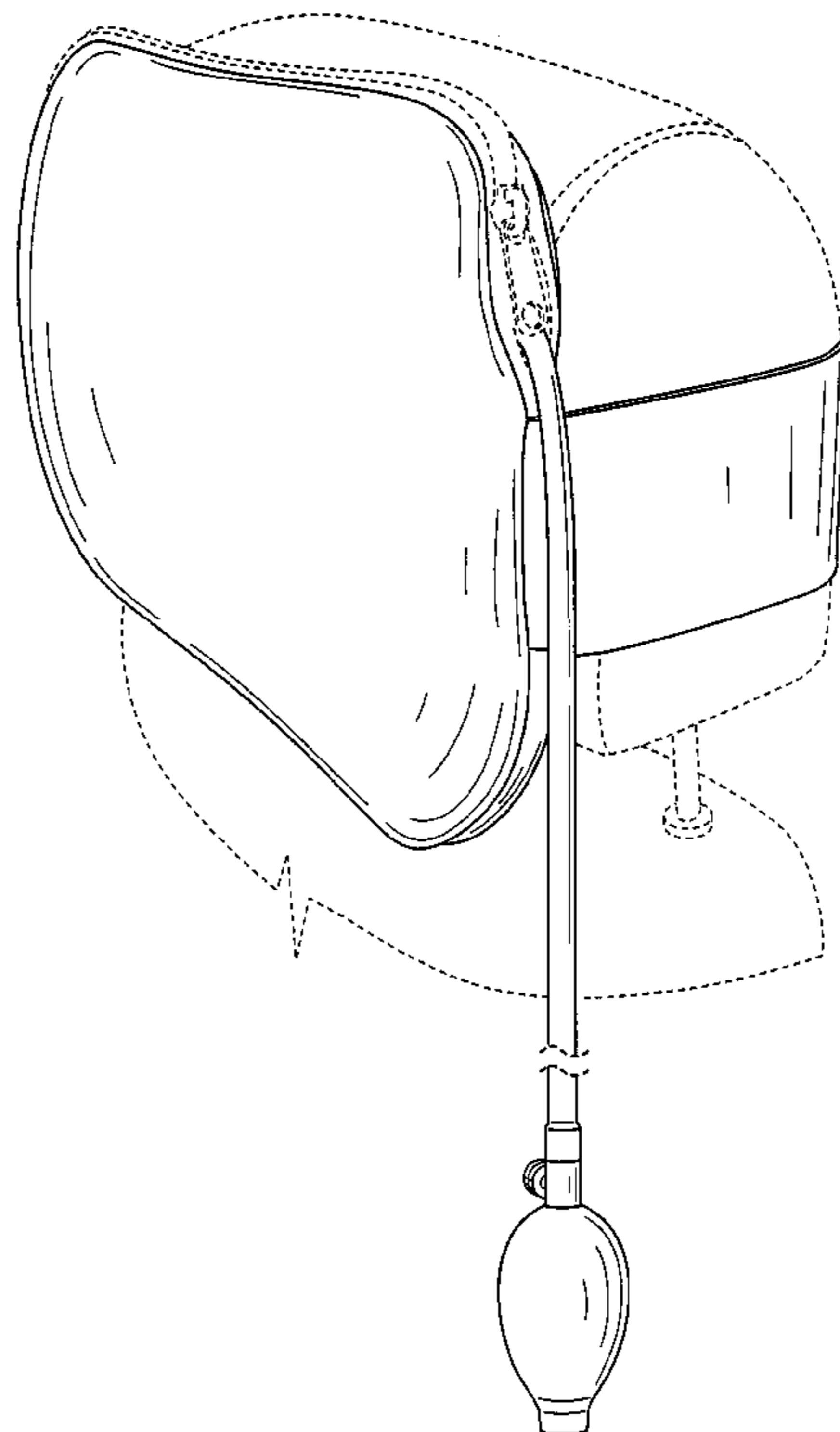
(56) **References Cited**

U.S. PATENT DOCUMENTS

| | | | | | | |
|----------|---|---|---------|----------------|-------|---------|
| D324,953 | S | * | 3/1992 | Swanner | | D12/416 |
| D412,311 | S | * | 7/1999 | Silvershein | | D12/416 |
| D419,520 | S | * | 1/2000 | Bergh | | D12/416 |
| D430,534 | S | * | 9/2000 | Golenz | | D12/416 |
| D432,075 | S | * | 10/2000 | Hassett et al. | | D12/416 |
| D441,341 | S | * | 5/2001 | Hassett et al. | | D12/416 |
| D451,882 | S | * | 12/2001 | Hassett et al. | | D12/416 |
| D477,563 | S | * | 7/2003 | Hassett | | D12/416 |
| D479,186 | S | * | 9/2003 | Hassett | | D12/416 |
| D492,140 | S | * | 6/2004 | Hassett | | D6/491 |
| D537,772 | S | * | 3/2007 | Martin | | D12/416 |
| D632,242 | S | * | 2/2011 | Currie | | D12/416 |
| D654,424 | S | * | 2/2012 | Vadala | | D12/416 |

* cited by examiner

1 Claim, 8 Drawing Sheets



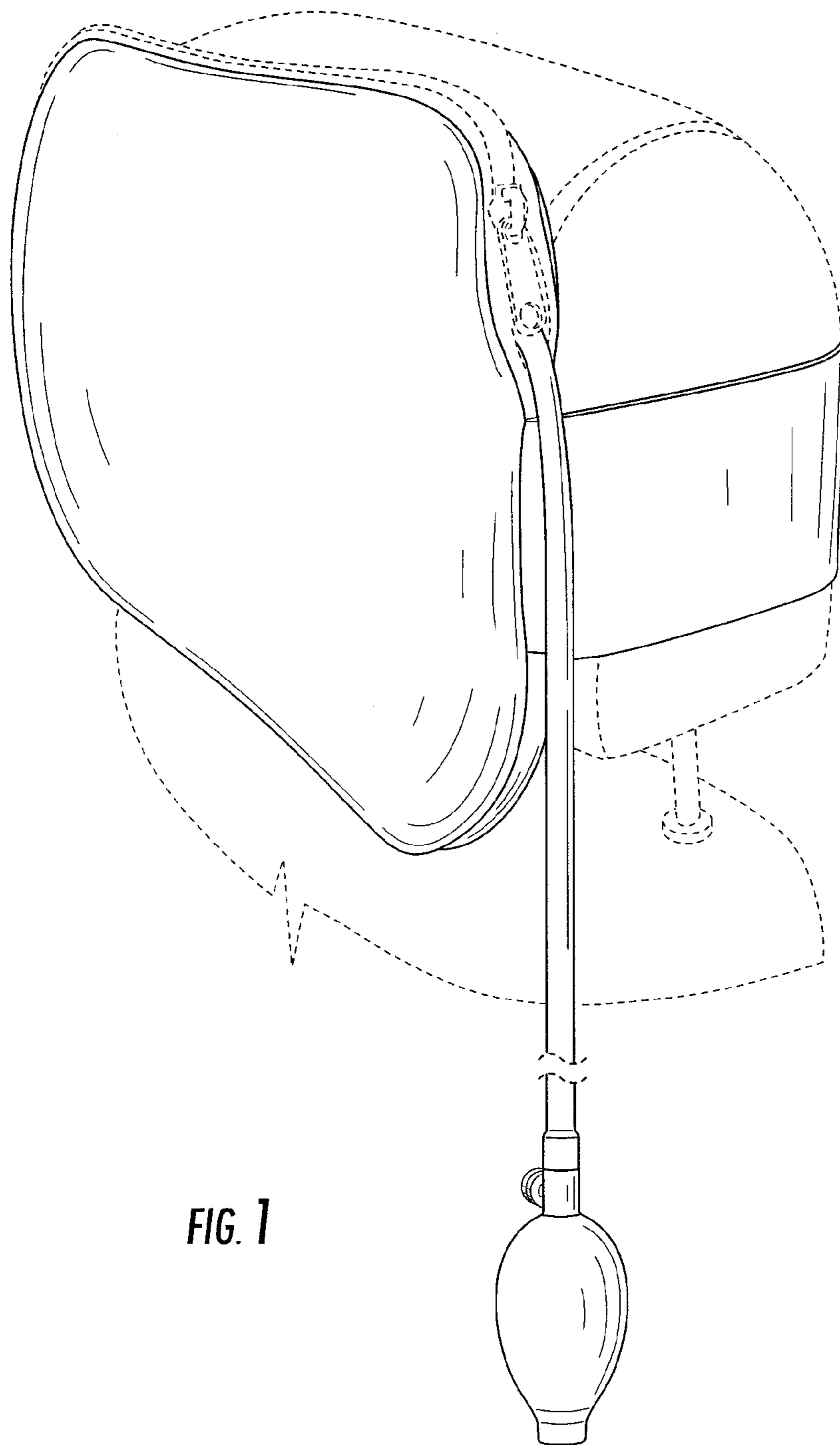


FIG. 1

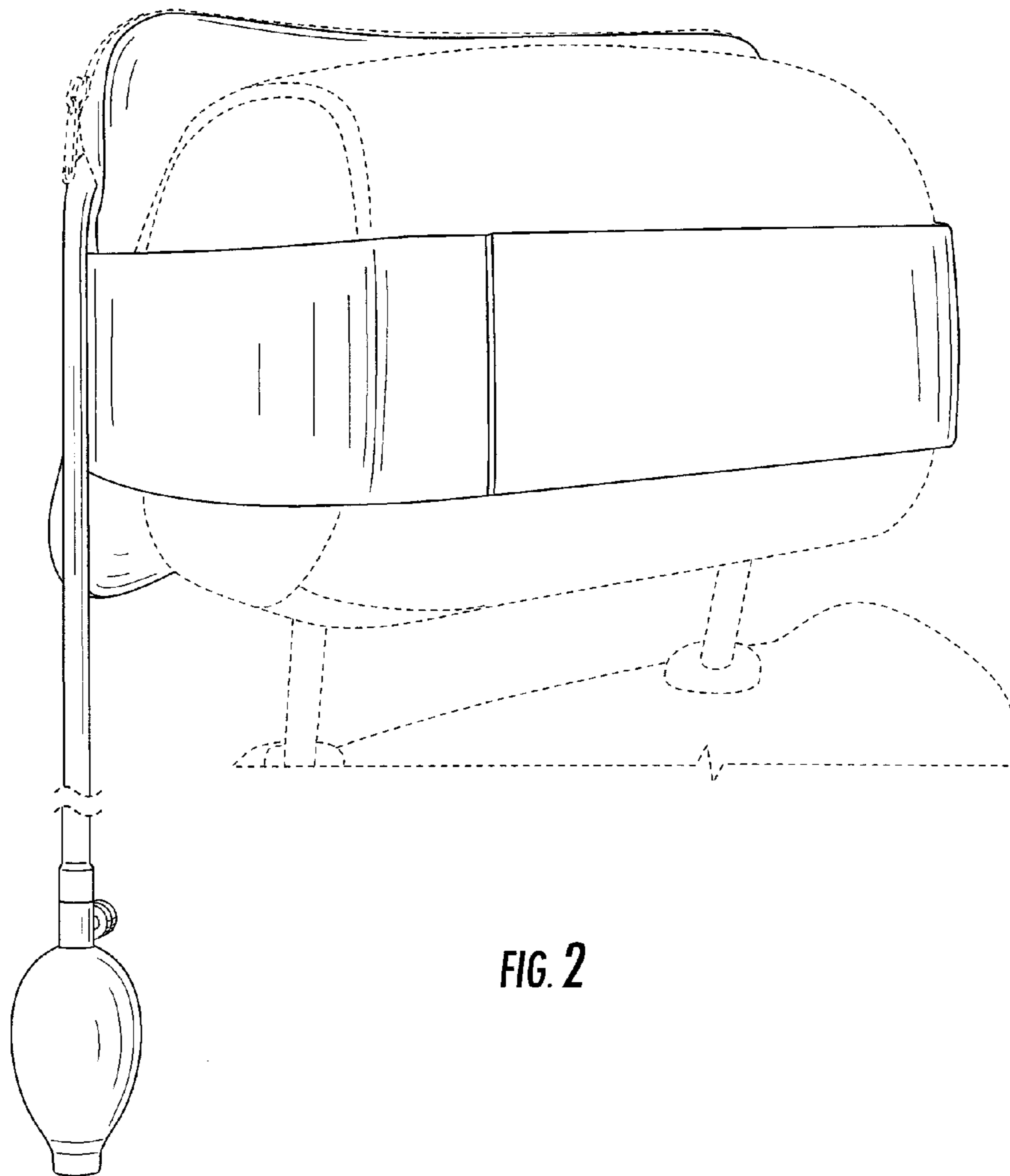


FIG. 2

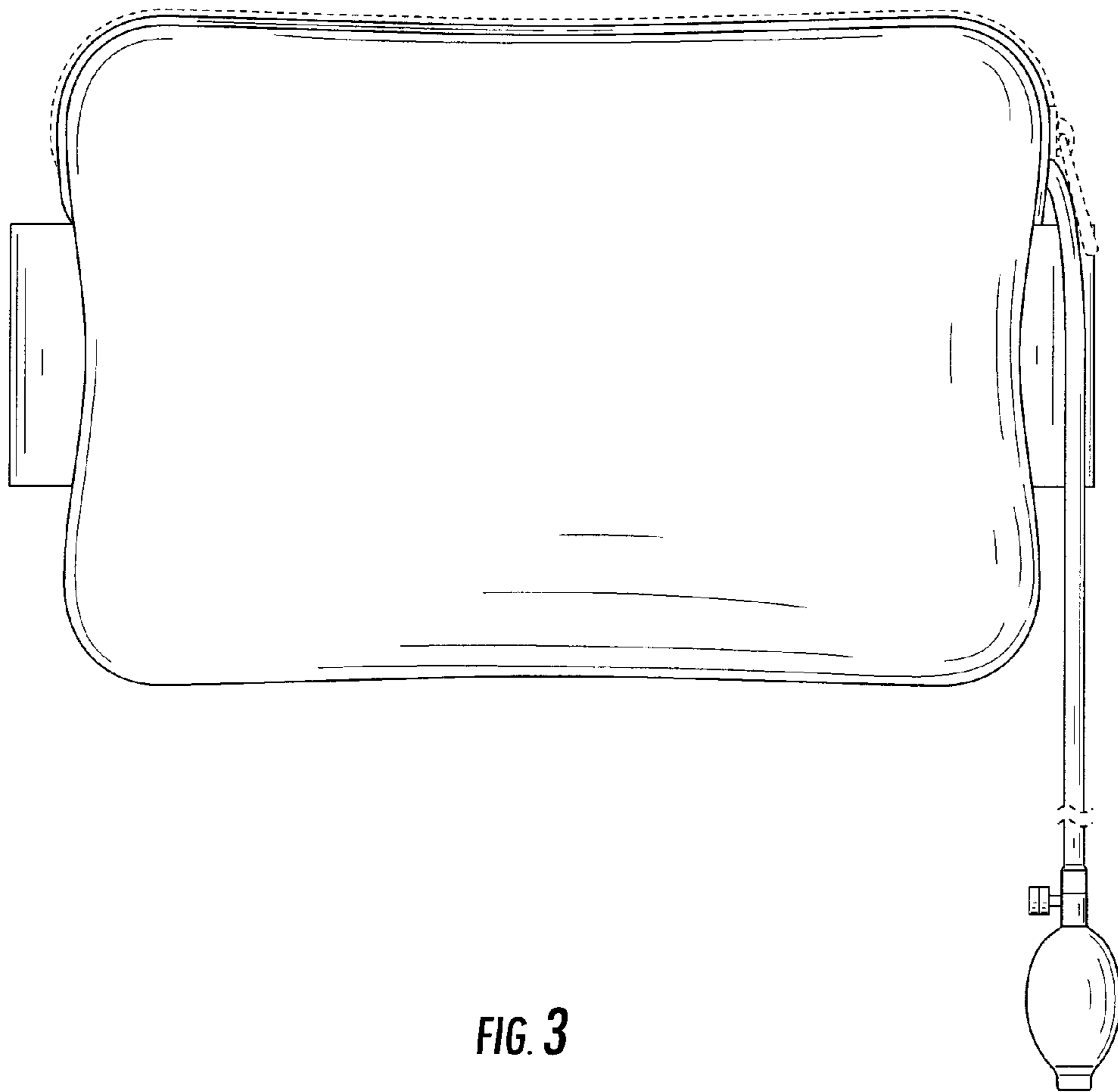


FIG. 3

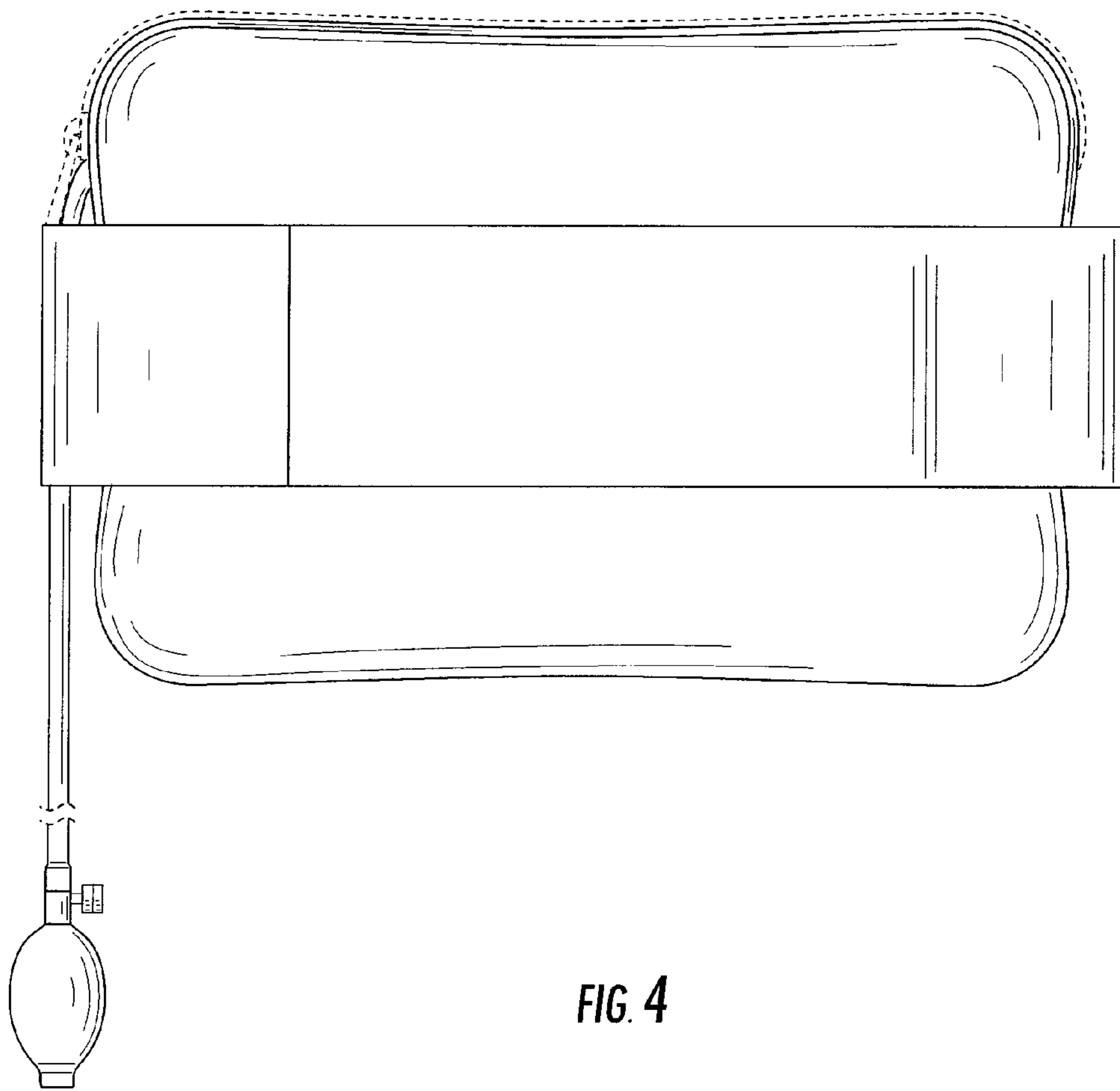


FIG. 4

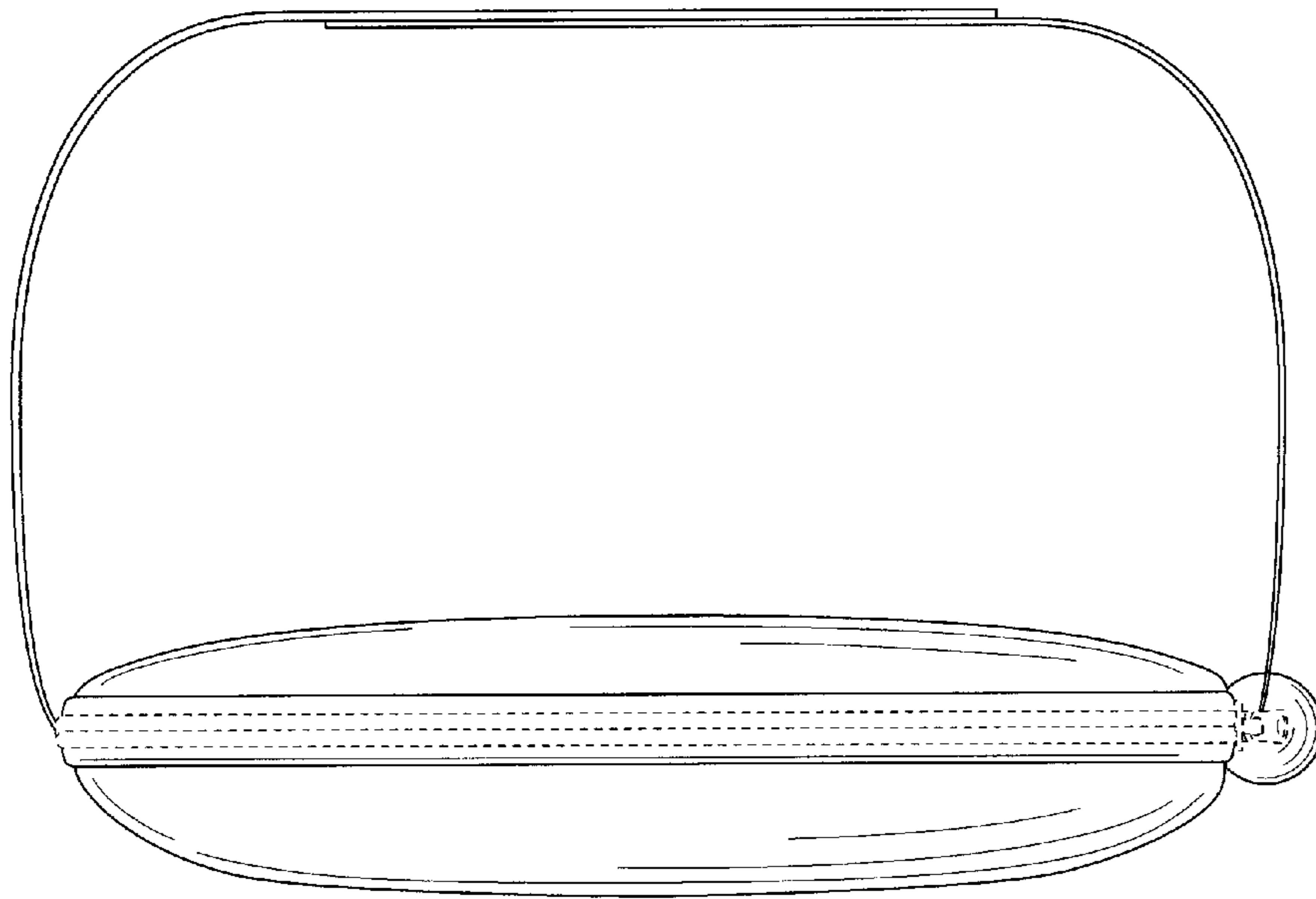


FIG. 5

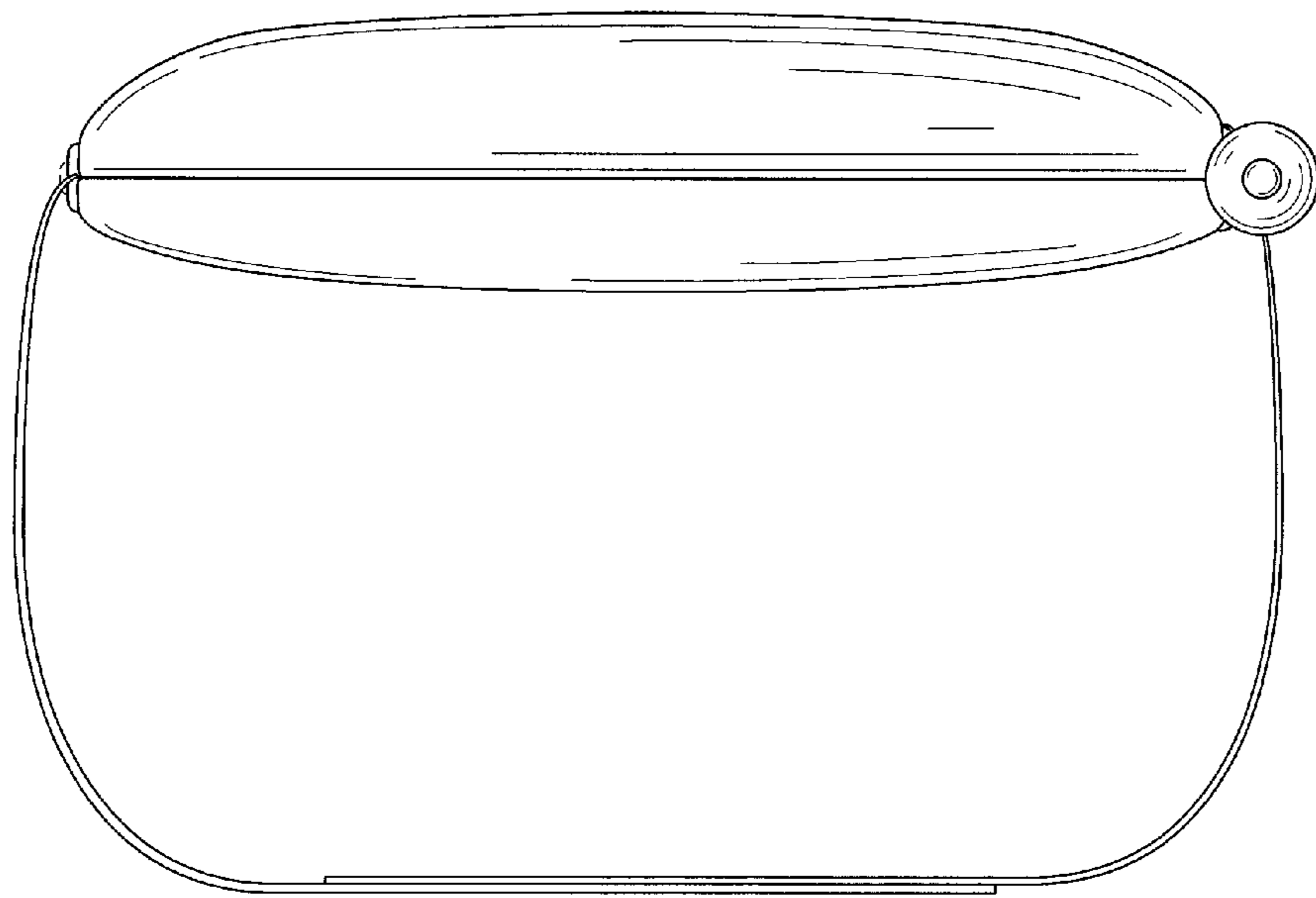


FIG. 6

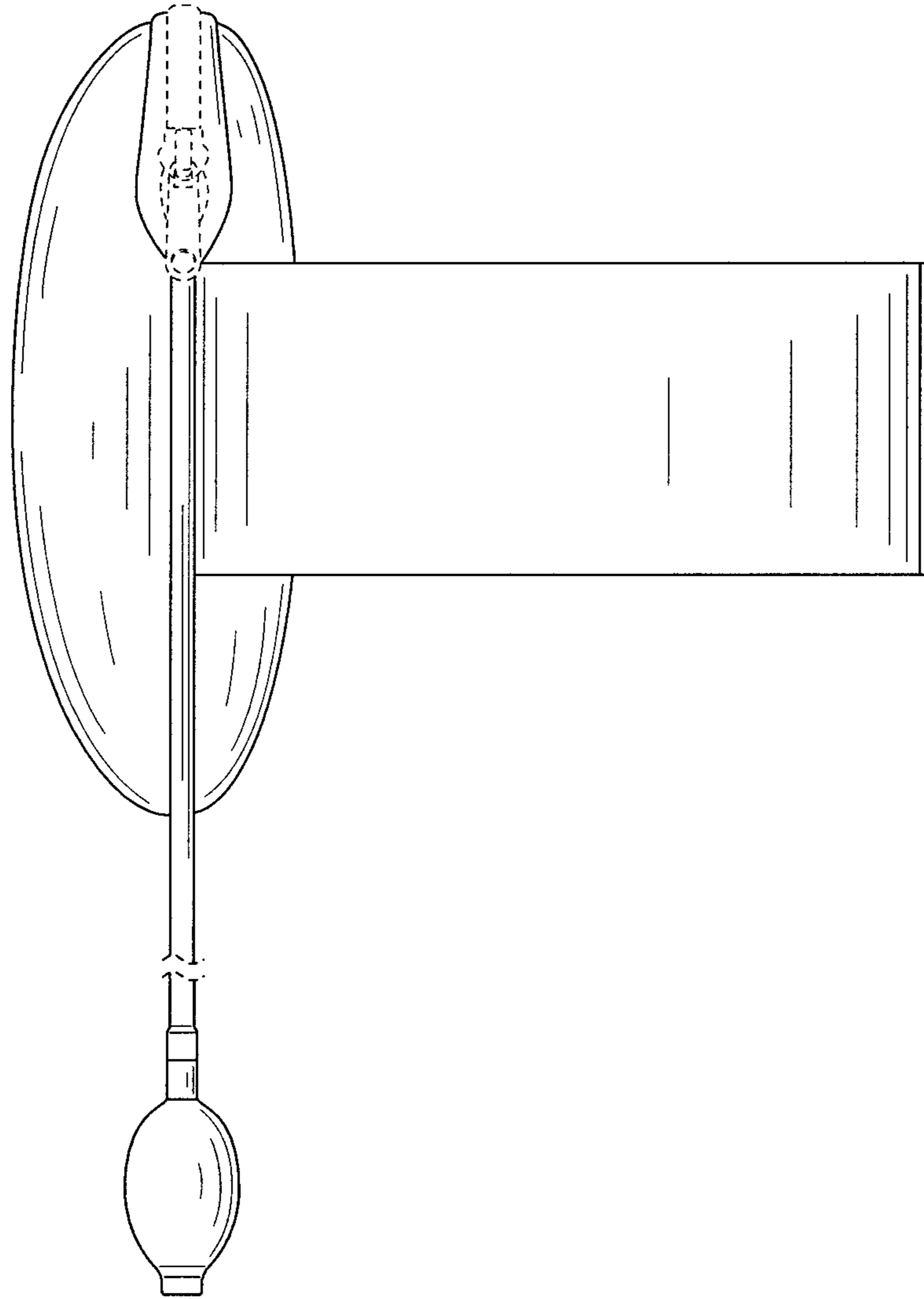


FIG. 7

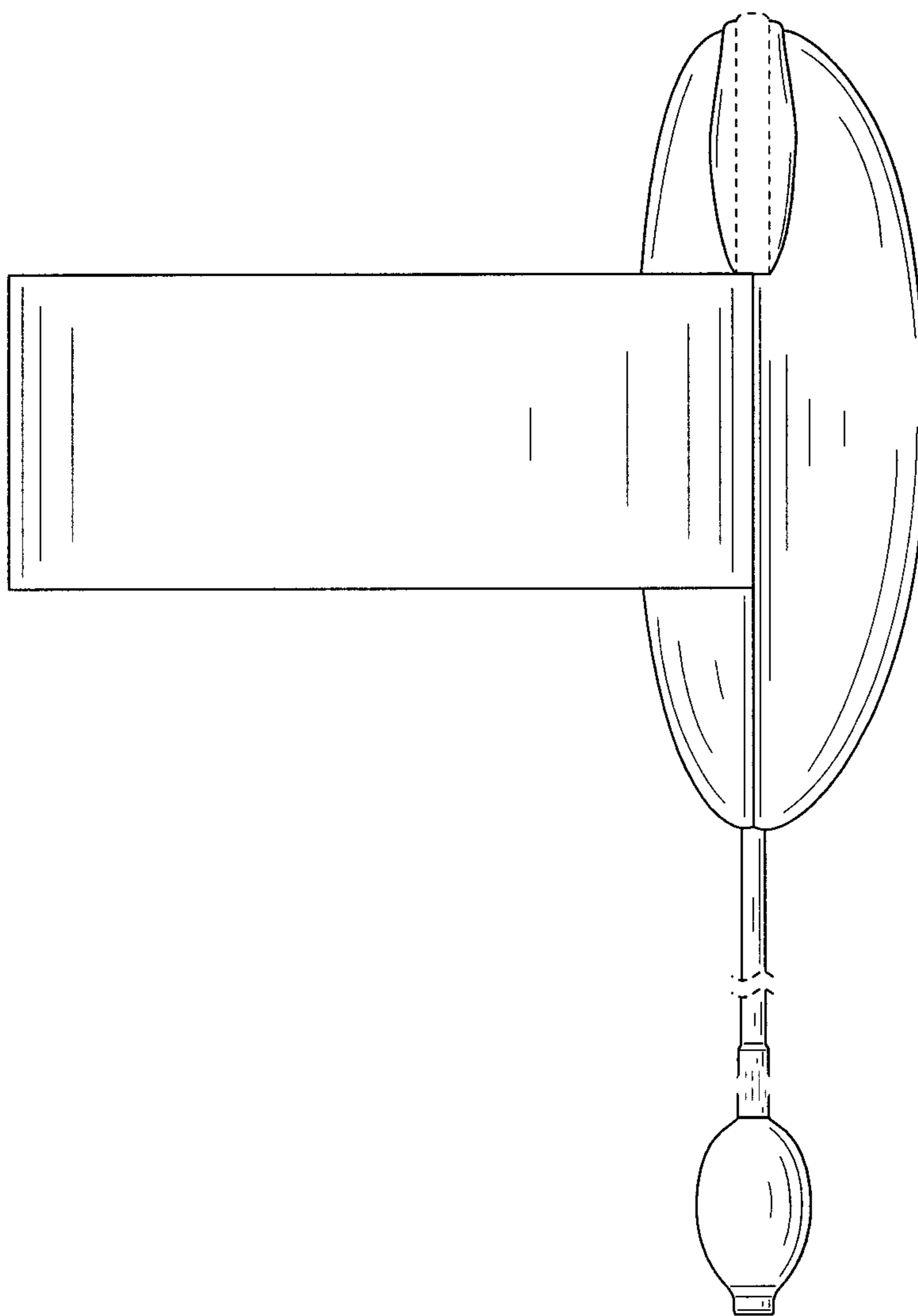


FIG. 8