



US00D683688S

(12) **United States Design Patent**  
**Alfonso**

(10) **Patent No.:** **US D683,688 S**  
(45) **Date of Patent:** **\*\* Jun. 4, 2013**

(54) **AUTOMOBILE WHEEL**

(71) Applicant: **Ernie R. Alfonso**, Pomona, CA (US)

(72) Inventor: **Ernie R. Alfonso**, Pomona, CA (US)

(73) Assignee: **Direct Wheel Inc.**, Pomona, CA (US)

(\*\*) Term: **14 Years**

(21) Appl. No.: **29/434,188**

(22) Filed: **Oct. 10, 2012**

(51) **LOC (9) Cl.** ..... **12-16**

(52) **U.S. Cl.**  
USPC ..... **D12/211**

(58) **Field of Classification Search**  
USPC ..... D12/204-213; 301/37.101, 64.101,  
301/65, 64.201

See application file for complete search history.

(56) **References Cited**

**U.S. PATENT DOCUMENTS**

D460,941 S *	7/2002	Muzzarelli .....	D12/211
D480,037 S *	9/2003	Takechi .....	D12/211
D497,869 S *	11/2004	Guevara .....	D12/211
D578,459 S *	10/2008	Hetrick .....	D12/211
D585,808 S *	2/2009	Hetrick .....	D12/211
D596,100 S *	7/2009	Aroney .....	D12/211

D604,222 S *	11/2009	Krisch .....	D12/211
D617,721 S *	6/2010	Zhao .....	D12/211
D622,200 S *	8/2010	Zhao .....	D12/211
D624,478 S *	9/2010	Zhao .....	D12/211
D631,815 S *	2/2011	Foose .....	D12/211
D638,772 S *	5/2011	Hans et al. ....	D12/211
D656,450 S *	3/2012	Zhao .....	D12/211

\* cited by examiner

*Primary Examiner* — Stacia Cadmus

(74) *Attorney, Agent, or Firm* — Adli Law Group P.C.

(57) **CLAIM**

The ornamental design for an automobile wheel, as shown and described.

**DESCRIPTION**

FIG. 1 is a front elevational view of an automobile wheel, showing my new design with 5 spokes;

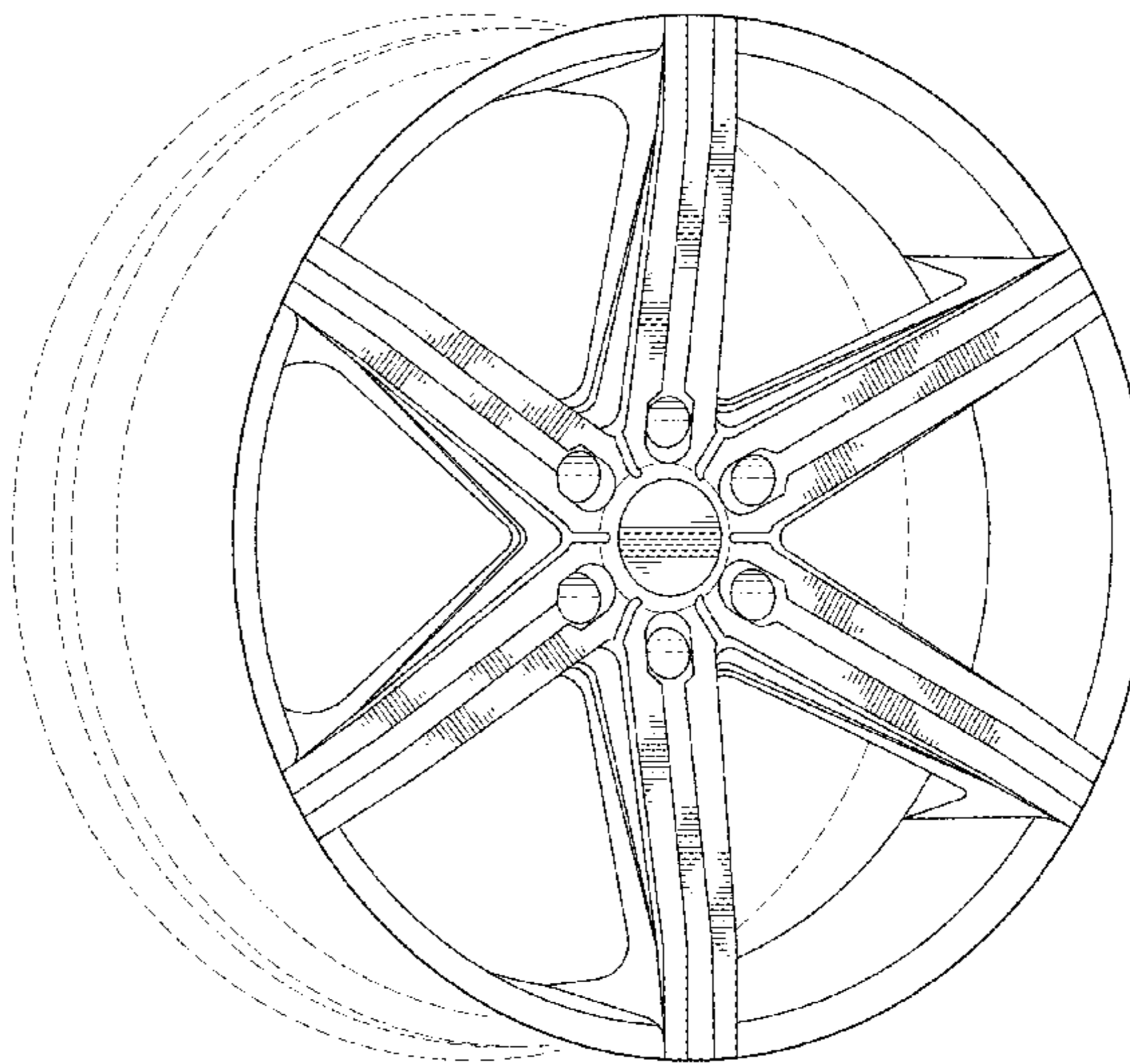
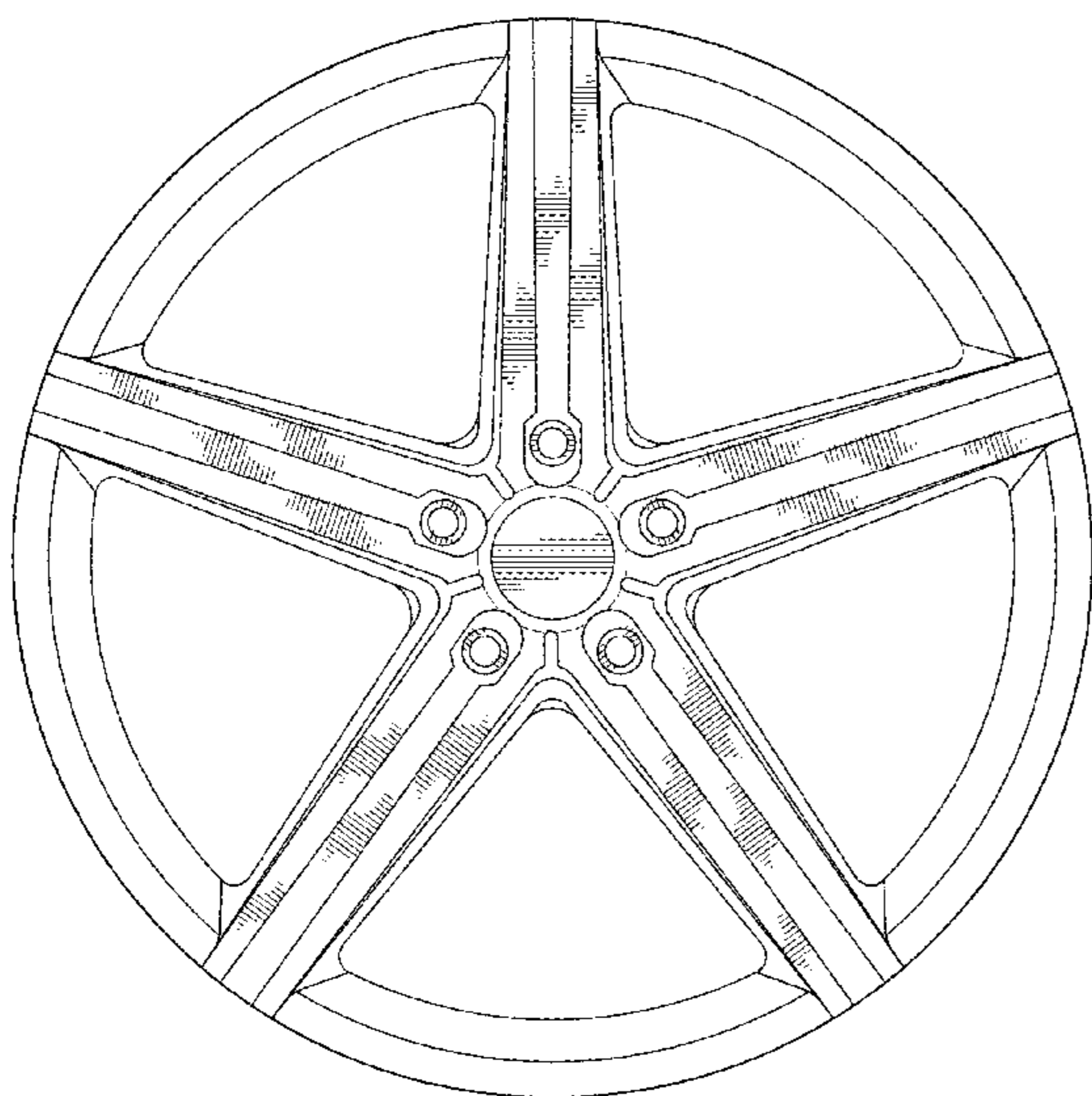
FIG. 2 is perspective view thereof;

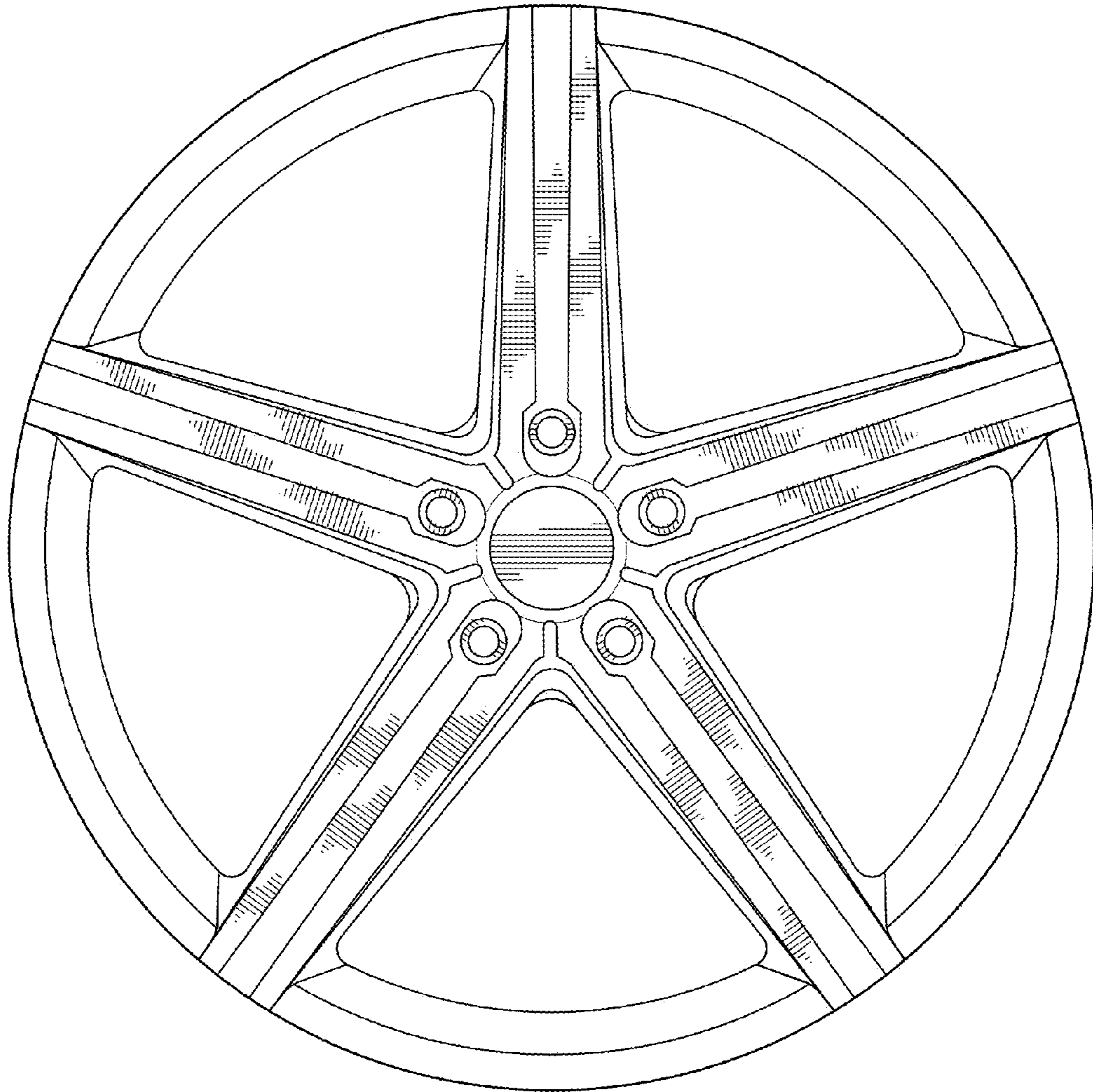
FIG. 3 is a front elevational view of a second embodiment of an automobile wheel, showing my new design with 6 spokes; and,

FIG. 4 is perspective view thereof.

The broken line showing of the rear of the rim is included for the purpose of illustrating environment and forms no part of the claimed design.

**1 Claim, 4 Drawing Sheets**





*FIG. 1*

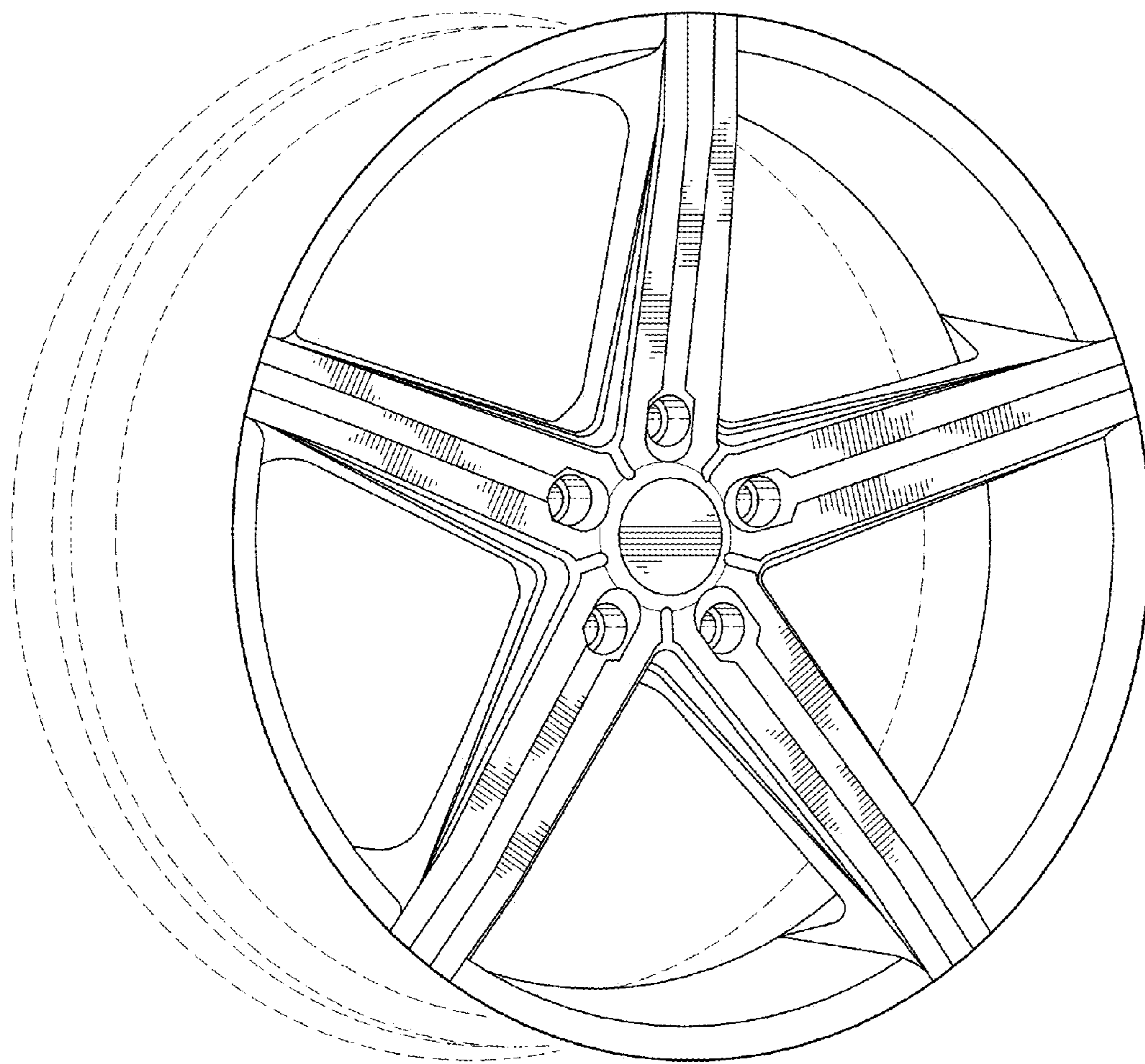
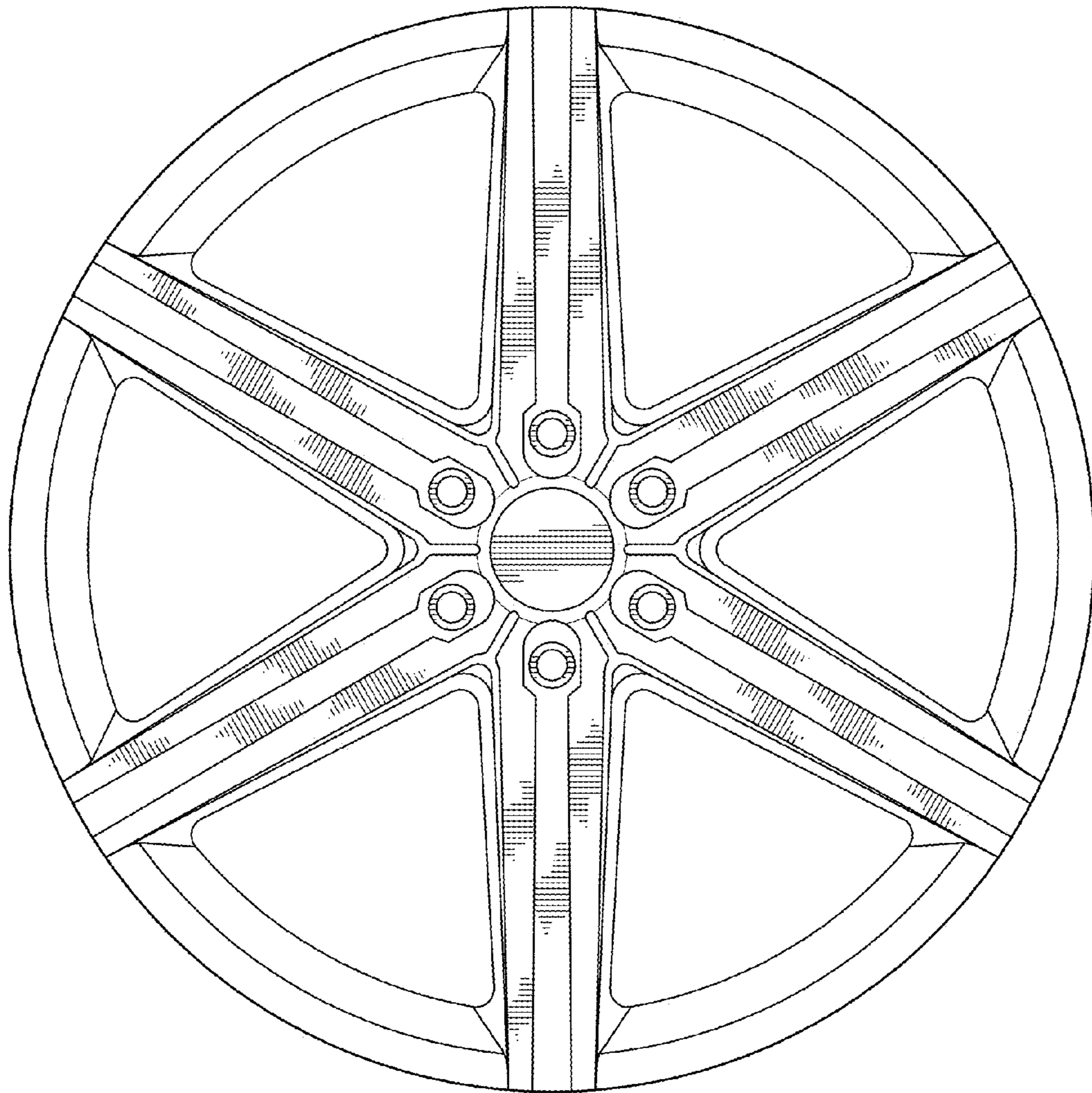


FIG. 2



*FIG. 3*

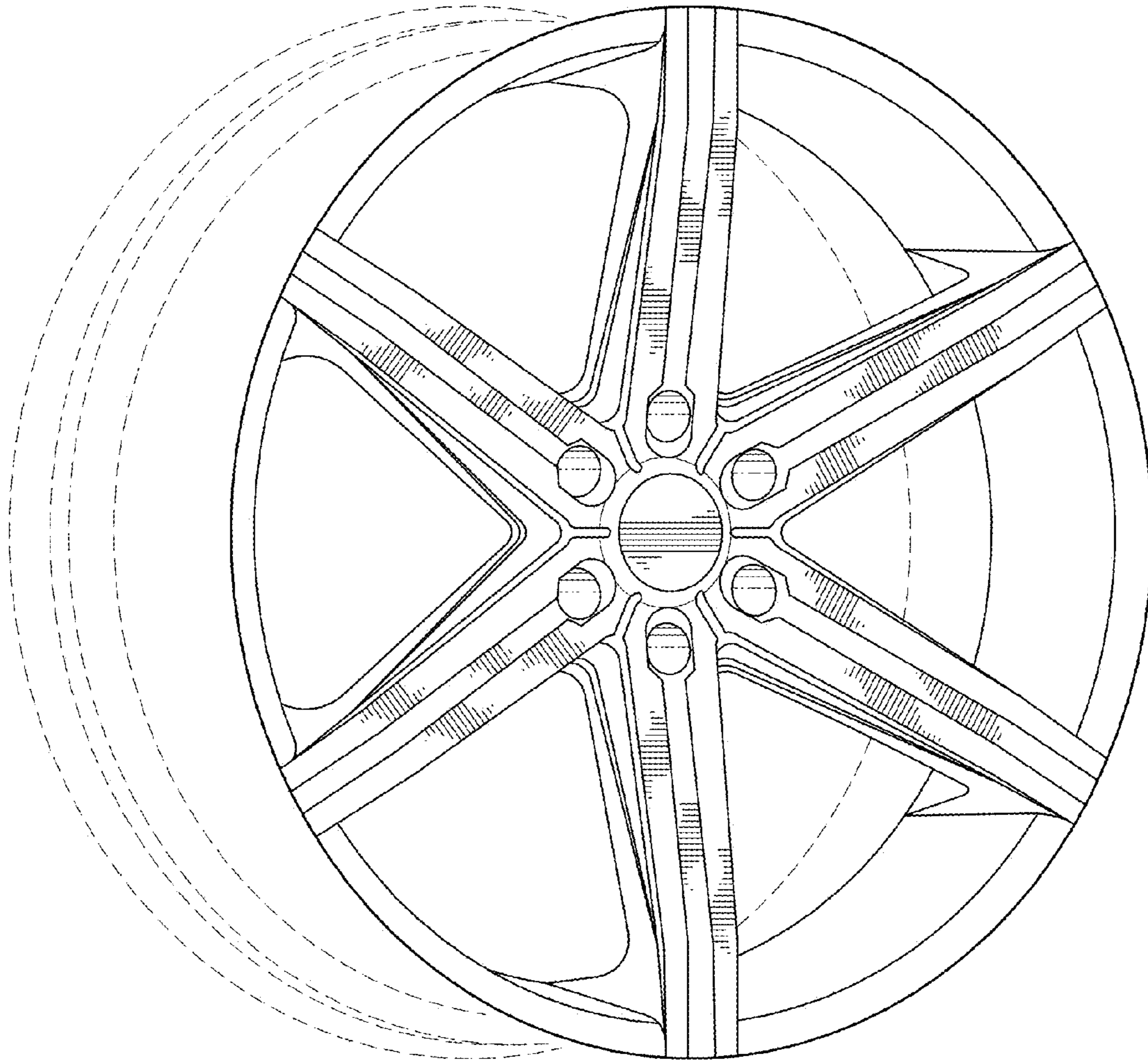


FIG. 4