



US00D683687S

(12) **United States Design Patent**  
**Alfonso**

(10) **Patent No.:** **US D683,687 S**

(45) **Date of Patent:** **\*\* Jun. 4, 2013**

(54) **AUTOMOBILE WHEEL**

(71) Applicant: **Ernie R. Alfonso**, Pomona, CA (US)

(72) Inventor: **Ernie R. Alfonso**, Pomona, CA (US)

(73) Assignee: **Direct Wheel Inc.**, Pomona, CA (US)

(\*\*) Term: **14 Years**

(21) Appl. No.: **29/434,171**

(22) Filed: **Oct. 10, 2012**

(51) **LOC (9) Cl.** ..... **12-16**

(52) **U.S. Cl.**  
USPC ..... **D12/211**

(58) **Field of Classification Search**  
USPC ..... D12/204-213; 301/37.101, 64.101,  
301/65, 64.201

See application file for complete search history.

(56) **References Cited**

**U.S. PATENT DOCUMENTS**

D451,067 S	*	11/2001	Frizzi	.....	D12/211
D493,404 S	*	7/2004	Baum	.....	D12/211
D500,726 S	*	1/2005	Hettler	.....	D12/211
D516,989 S	*	3/2006	Baum	.....	D12/211
D525,932 S	*	8/2006	Hettler	.....	D12/211
D548,162 S	*	8/2007	Baum	.....	D12/211
D548,166 S	*	8/2007	Young	.....	D12/211
D549,635 S	*	8/2007	Hernandez	.....	D12/211
D551,149 S	*	9/2007	Elmitt	.....	D12/211

D578,455 S	*	10/2008	Pfeiffer	.....	D12/211
D584,210 S	*	1/2009	Baum	.....	D12/211
D615,917 S	*	5/2010	Zhao	.....	D12/211
D620,874 S	*	8/2010	Zhao	.....	D12/211
D622,201 S	*	8/2010	Zhao	.....	D12/211
D657,298 S	*	4/2012	Lee	.....	D12/211
D657,299 S	*	4/2012	Lee	.....	D12/211

\* cited by examiner

*Primary Examiner* — Stacia Cadmus

(74) *Attorney, Agent, or Firm* — Adli Law Group P.C.

(57) **CLAIM**

The ornamental design for an automobile wheel, as shown and described.

**DESCRIPTION**

FIG. 1 is a front elevational view of an automobile wheel, showing my new design with 10 spokes;

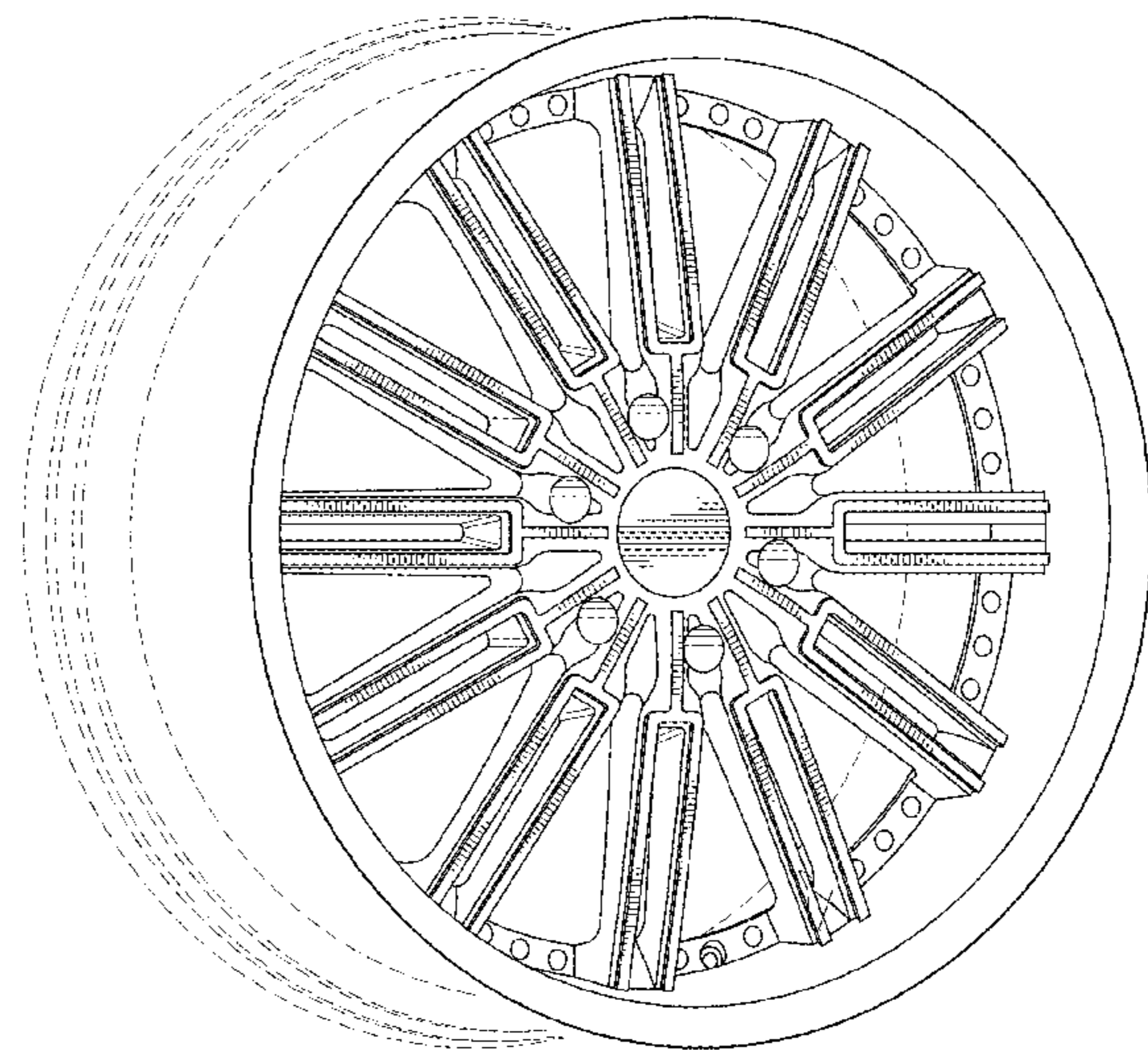
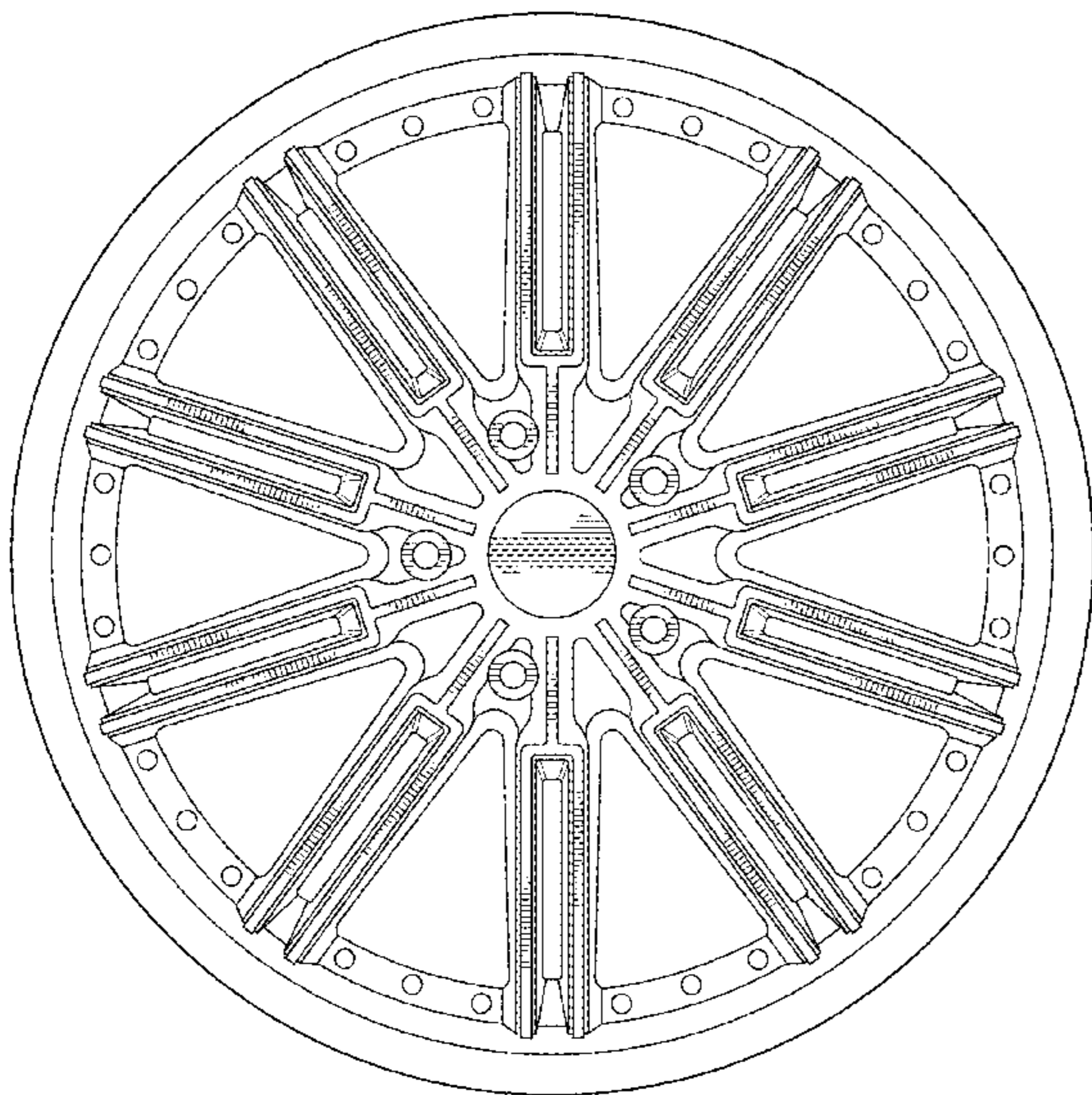
FIG. 2 is perspective view thereof;

FIG. 3 is a front elevational view of a second embodiment of an automobile wheel, showing my new design with 12 spokes; and,

FIG. 4 is perspective view thereof.

The broken line showing of the rear of the rim is included for the purpose of illustrating environment and forms no part of the claimed design.

**1 Claim, 4 Drawing Sheets**



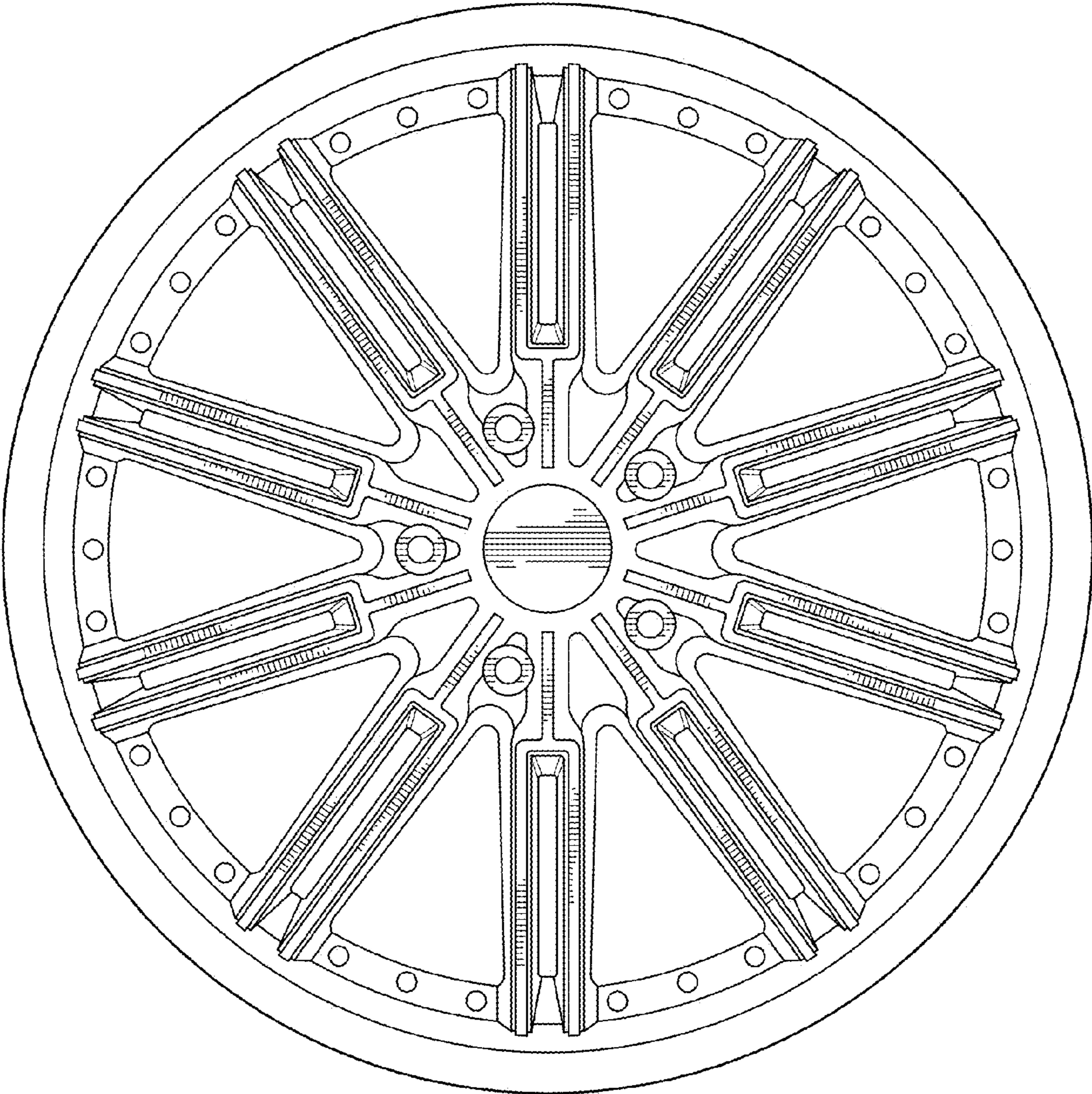
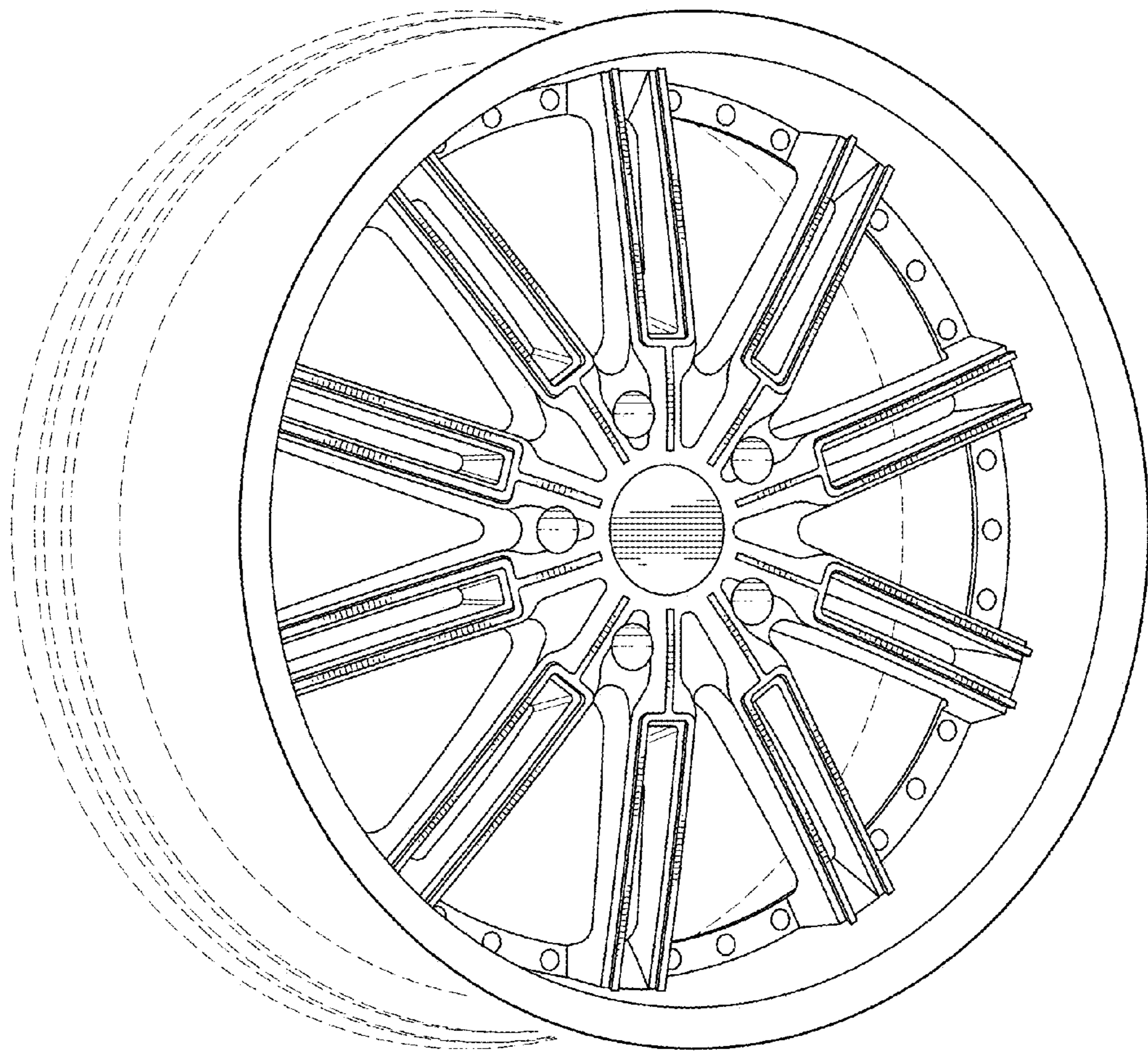


FIG. 1





*FIG. 2*

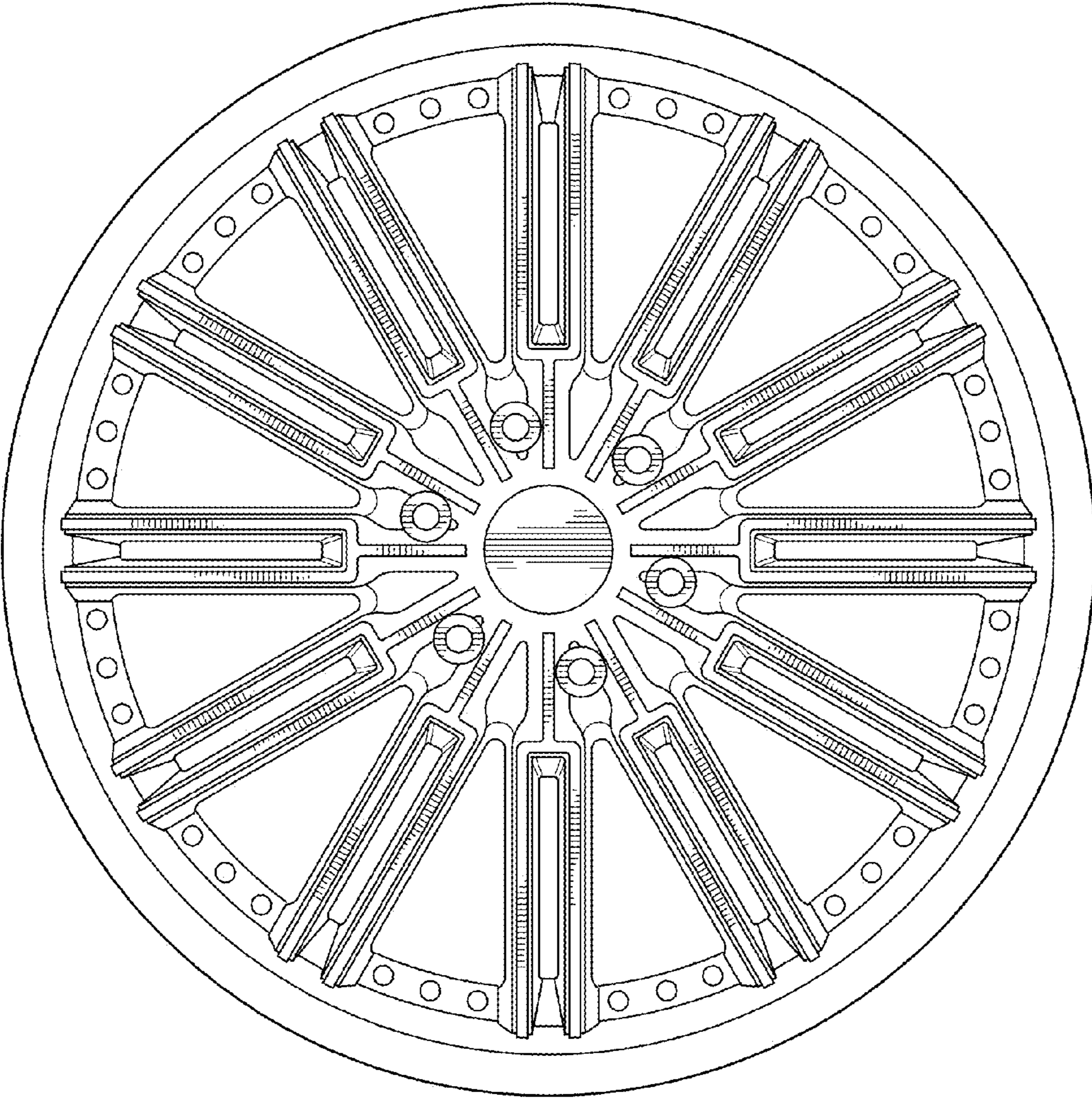


FIG. 3



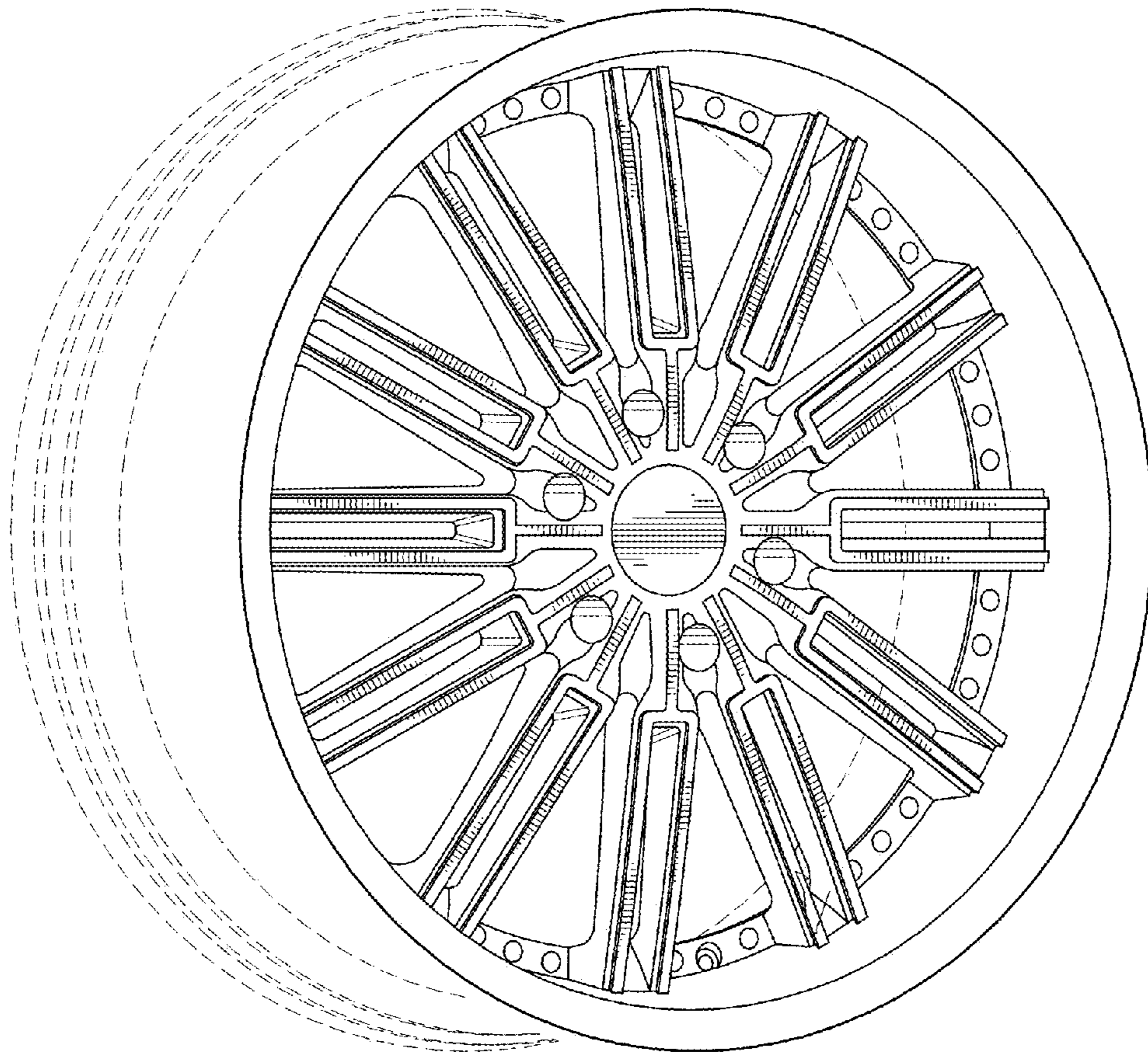


FIG. 4