



US00D683685S

(12) **United States Design Patent**
Pollmann

(10) **Patent No.:** **US D683,685 S**
(45) **Date of Patent:** **** Jun. 4, 2013**

(54) **WHEEL OR WHEEL COVER**
(75) **Inventor:** **Gert Pollmann, Boehmfeld (DE)**
(73) **Assignee:** **Bayerische Motoren Werke Aktiengesellschaft, Munich (DE)**

D620,870 S 8/2010 Powell
D628,136 S * 11/2010 Leclercq D12/211
D635,499 S * 4/2011 Nissl D12/211
D658,107 S * 4/2012 Pollmann et al. D12/211
D666,953 S * 9/2012 Pollmann D12/209
D670,636 S * 11/2012 Juergens et al. D12/211
D671,476 S * 11/2012 Pinel D12/209
D671,480 S * 11/2012 Cepkova D12/209
D671,481 S * 11/2012 Amezketta D12/211

(**) **Term:** **14 Years**

(21) **Appl. No.:** **29/417,652**

(22) **Filed:** **Apr. 6, 2012**

(30) **Foreign Application Priority Data**

Oct. 7, 2011 (DE) 402011005029

(51) **LOC (9) Cl.** **12-16**

(52) **U.S. Cl.**
USPC **D12/211**

(58) **Field of Classification Search**
USPC D12/204–213; 301/37.101, 64.101,
301/65, 64.201

See application file for complete search history.

(56) **References Cited**

U.S. PATENT DOCUMENTS

D402,951 S 12/1998 Wechner
D419,945 S * 2/2000 Hartanto D12/211
D568,800 S * 5/2008 Huet D12/211
D583,742 S * 12/2008 Juergens et al. D12/211
D593,022 S 5/2009 Forster et al.
D597,015 S * 7/2009 Juergens et al. D12/211
D612,787 S * 3/2010 Juergens et al. D12/209

FOREIGN PATENT DOCUMENTS

DE M9704929.8 11/1997
EM 000976881-0001 10/2008
EM 001636978-0008 11/2010
EM 001636978-0012 11/2010
EM 001636978-0018 11/2010

* cited by examiner

Primary Examiner — Stacia Cadmus

(74) *Attorney, Agent, or Firm* — Crowell & Moring LLP

(57) **CLAIM**

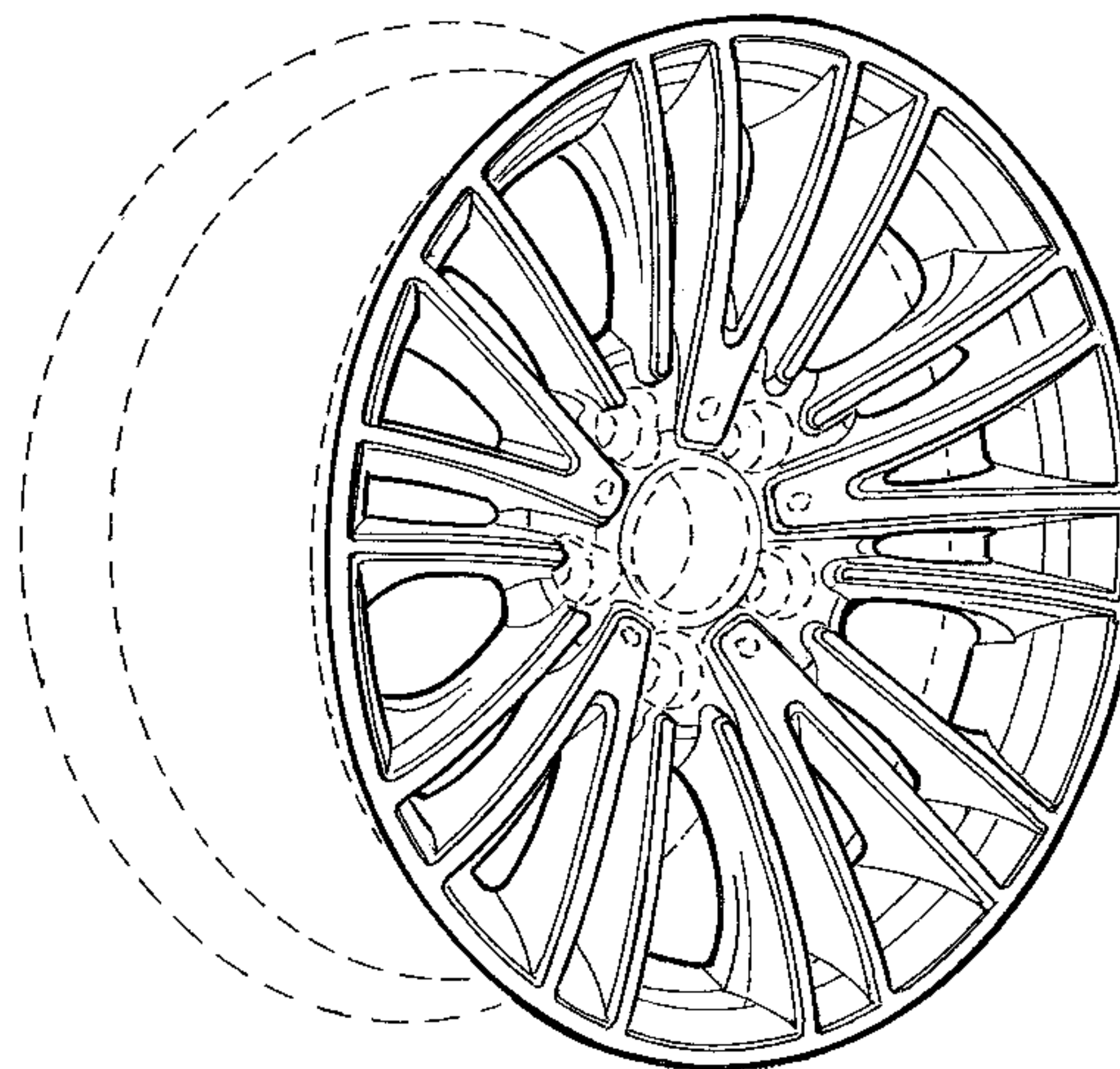
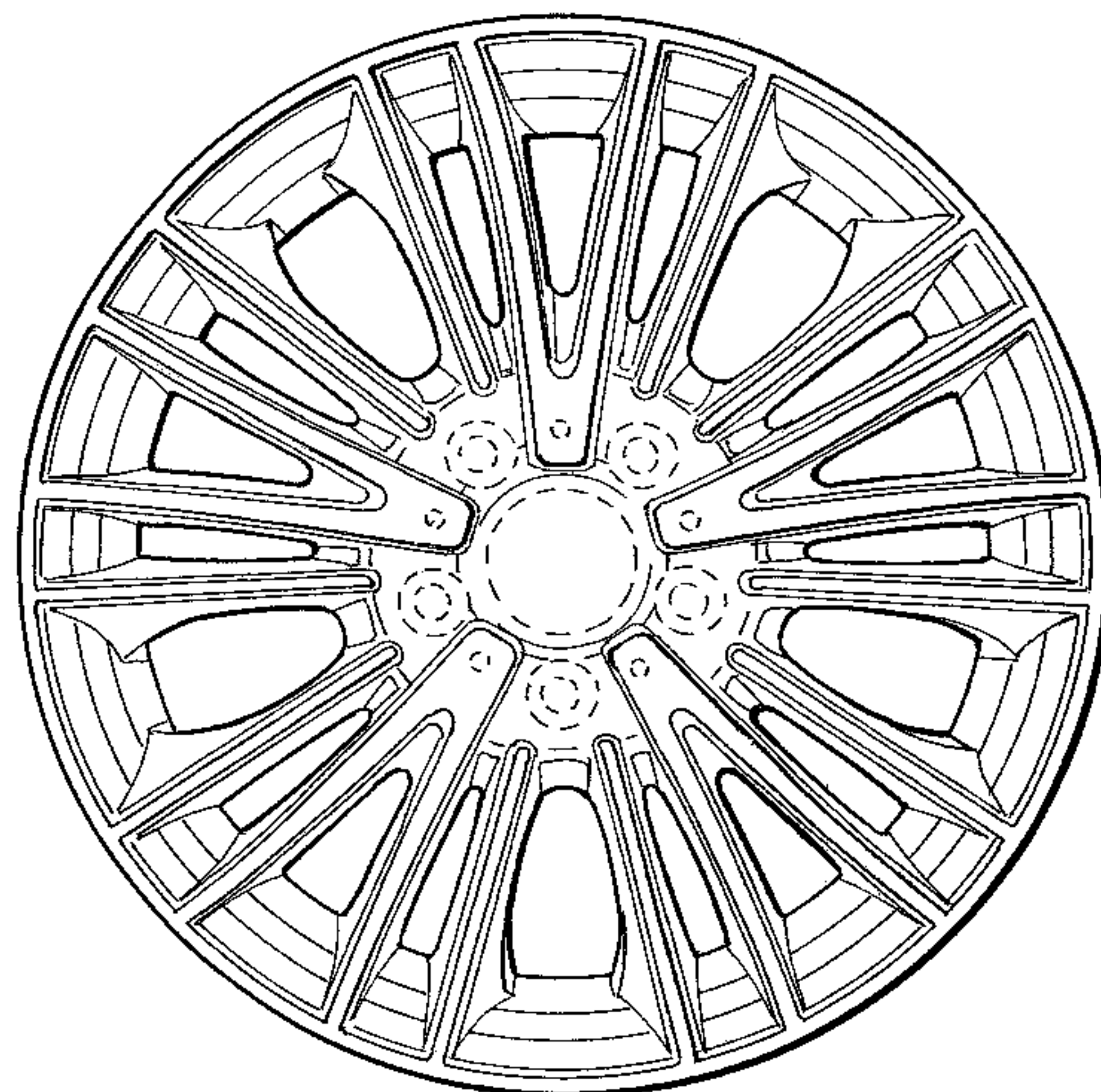
The ornamental design for a wheel or wheel cover, as shown and described.

DESCRIPTION

FIG. 1 is a front view of a wheel or wheel cover according to my design; and,
FIG. 2 is a perspective view thereof.

The broken line showing of the rear of the wheel and the bolt holes and center opening in the central hub area is included for the purpose of illustrating environment and forms no part of the claimed design.

1 Claim, 1 Drawing Sheet



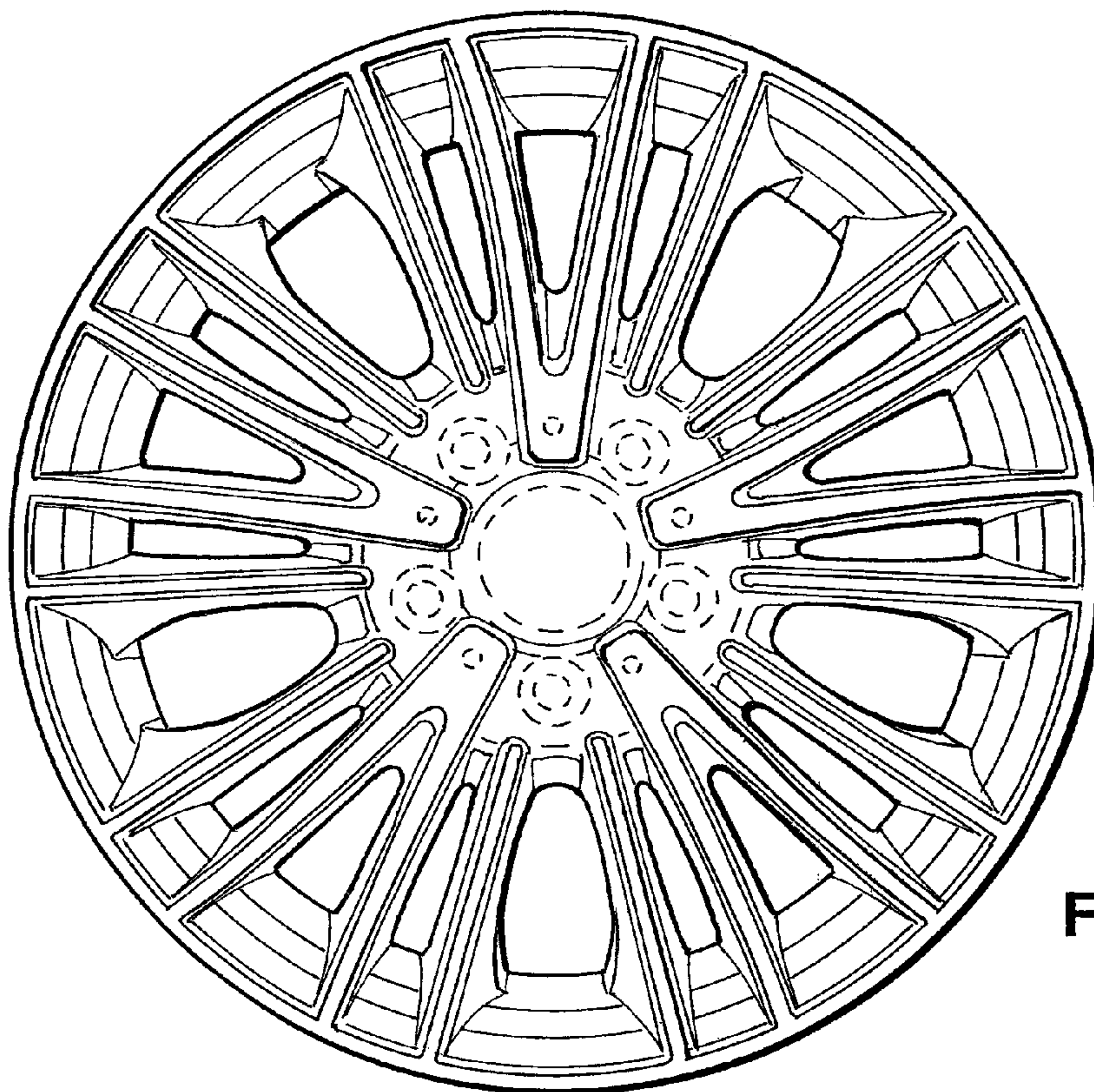


FIG. 1

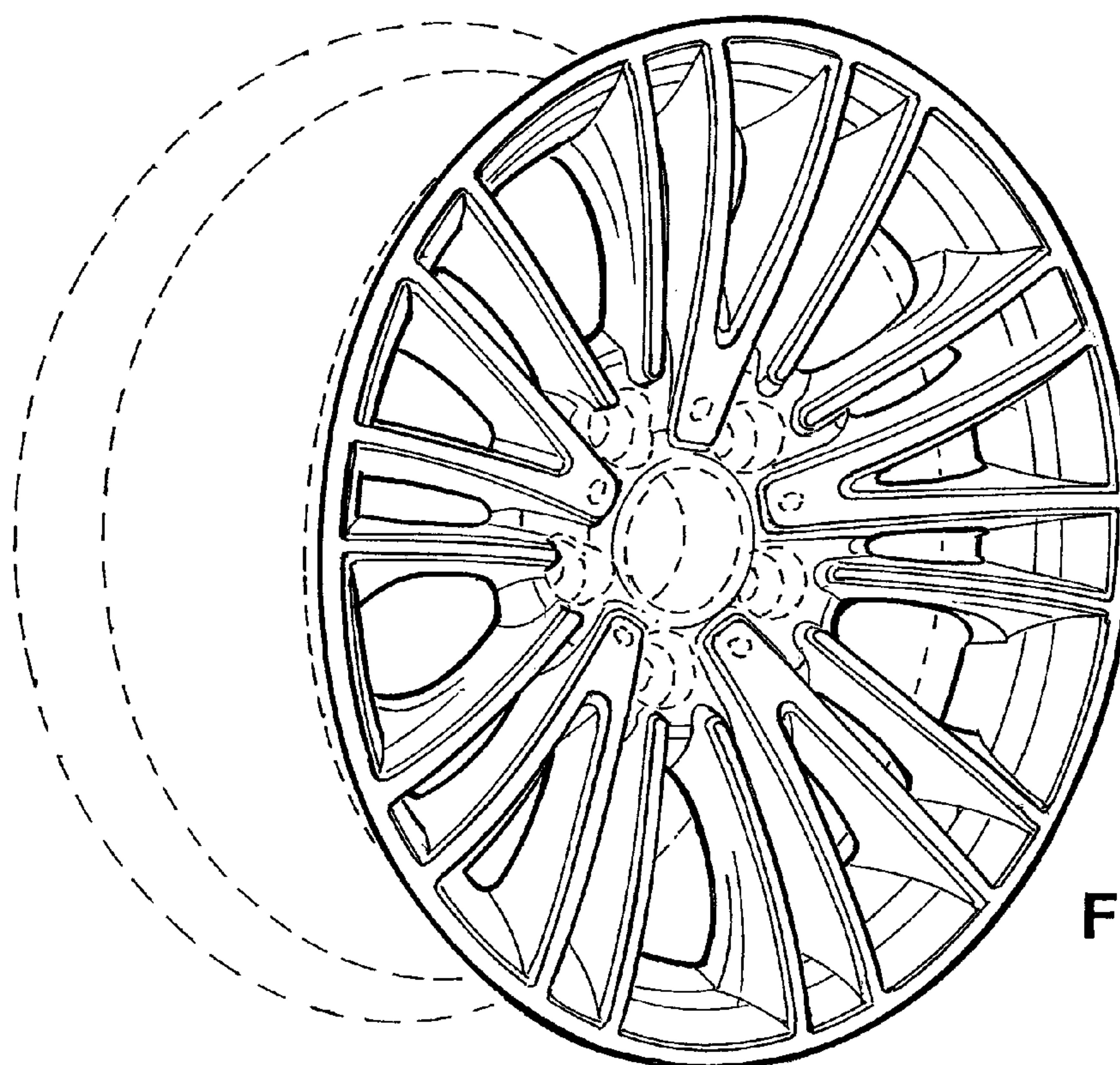


FIG. 2