



US00D683684S

(12) **United States Design Patent**  
**Campbell et al.**

(10) **Patent No.:** **US D683,684 S**

(45) **Date of Patent:** **\*\* Jun. 4, 2013**

(54) **VEHICLE WHEEL**

(71) Applicant: **Ford Global Technologies, LLC,**  
Dearborn, MI (US)

(72) Inventors: **Paul Campbell,** Essex (GB); **Jordan Bennett,** London (GB); **Wolfgang Gotschke,** Cologne (DE)

(73) Assignee: **Ford Motor Company,** Dearborn, MI (US)

(\*\*) Term: **14 Years**

(21) Appl. No.: **29/435,959**

(22) Filed: **Oct. 31, 2012**

(51) **LOC (9) Cl.** ..... **12-16**

(52) **U.S. Cl.**  
USPC ..... **D12/209**

(58) **Field of Classification Search**  
USPC ..... D12/204–213; 301/37.101, 64.101,  
301/65, 64.201

See application file for complete search history.

(56) **References Cited**

**U.S. PATENT DOCUMENTS**

D475,336 S *	6/2003	Larson .....	D12/209
D484,085 S *	12/2003	Tirado .....	D12/211
D491,873 S *	6/2004	Markefka .....	D12/211
D517,969 S *	3/2006	Brouillette et al. ....	D12/209
D526,265 S *	8/2006	Muzzarelli .....	D12/209
D530,259 S *	10/2006	Sands .....	D12/211
D579,397 S *	10/2008	Osborne .....	D12/211
D614,106 S *	4/2010	Junker .....	D12/209
D617,710 S *	6/2010	Ectors et al. ....	D12/209
D644,587 S *	9/2011	Gotschke .....	D12/209

\* cited by examiner

*Primary Examiner* — Stacia Cadmus

(74) *Attorney, Agent, or Firm* — Damian Porcari

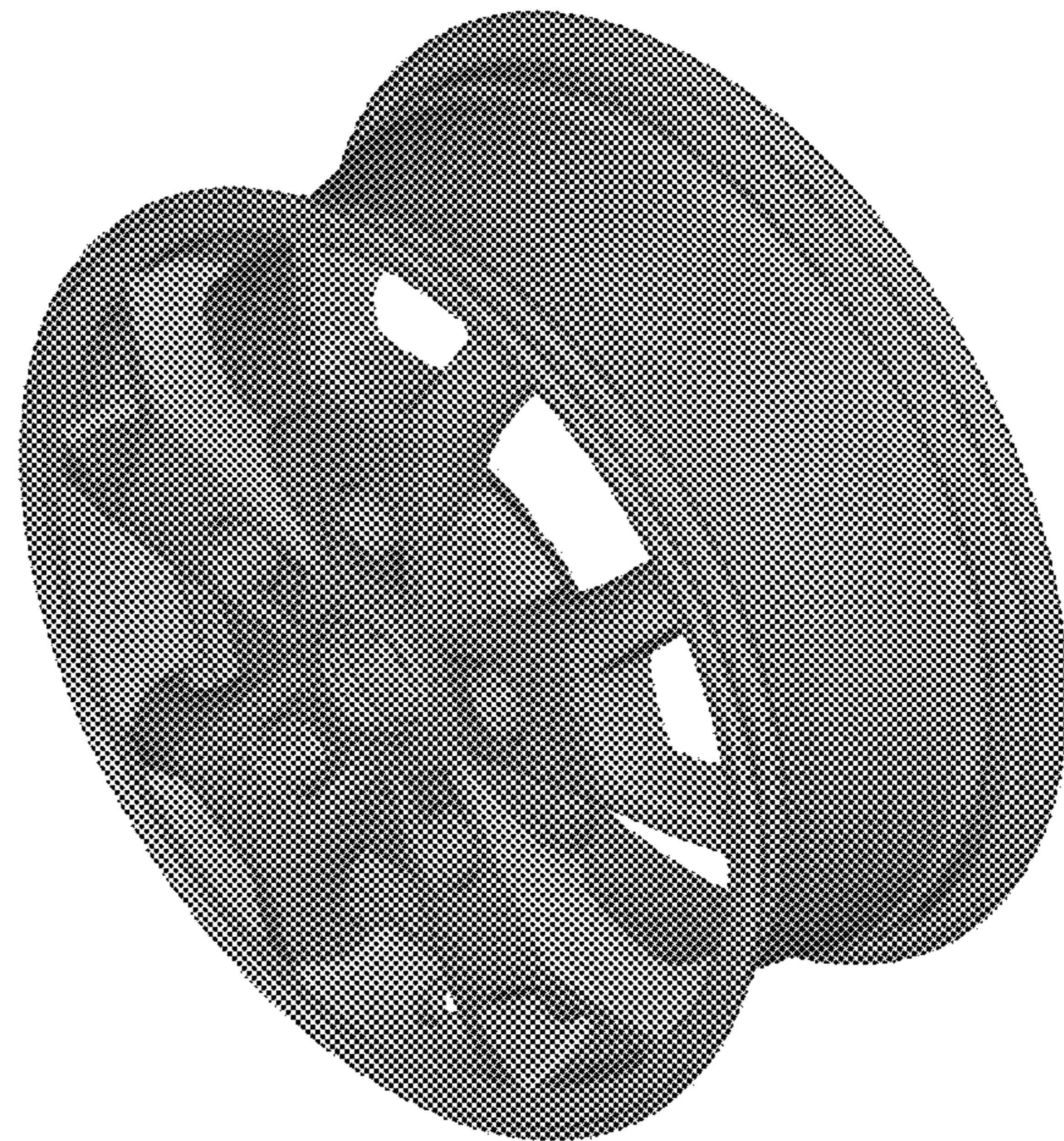
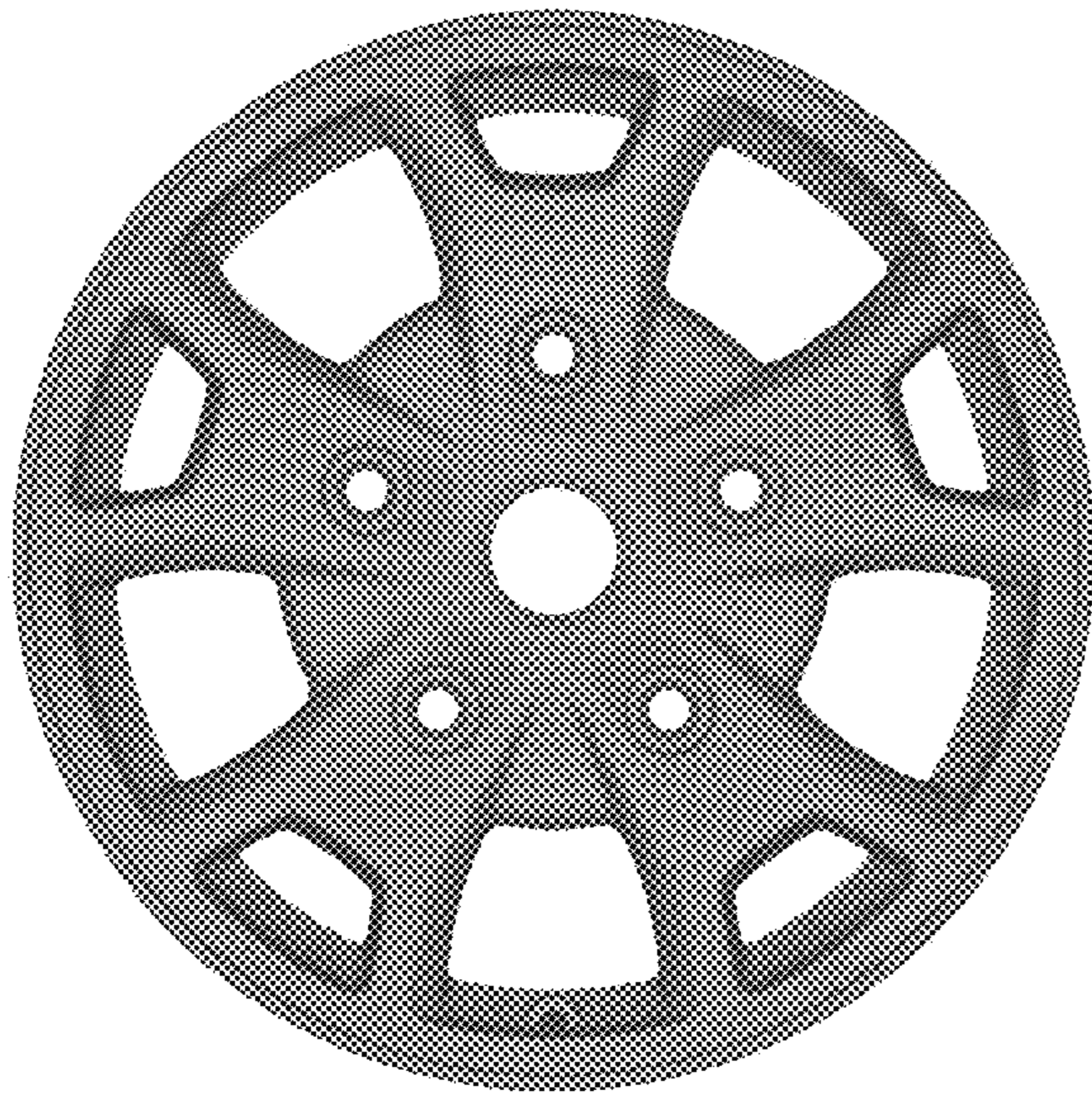
(57) **CLAIM**

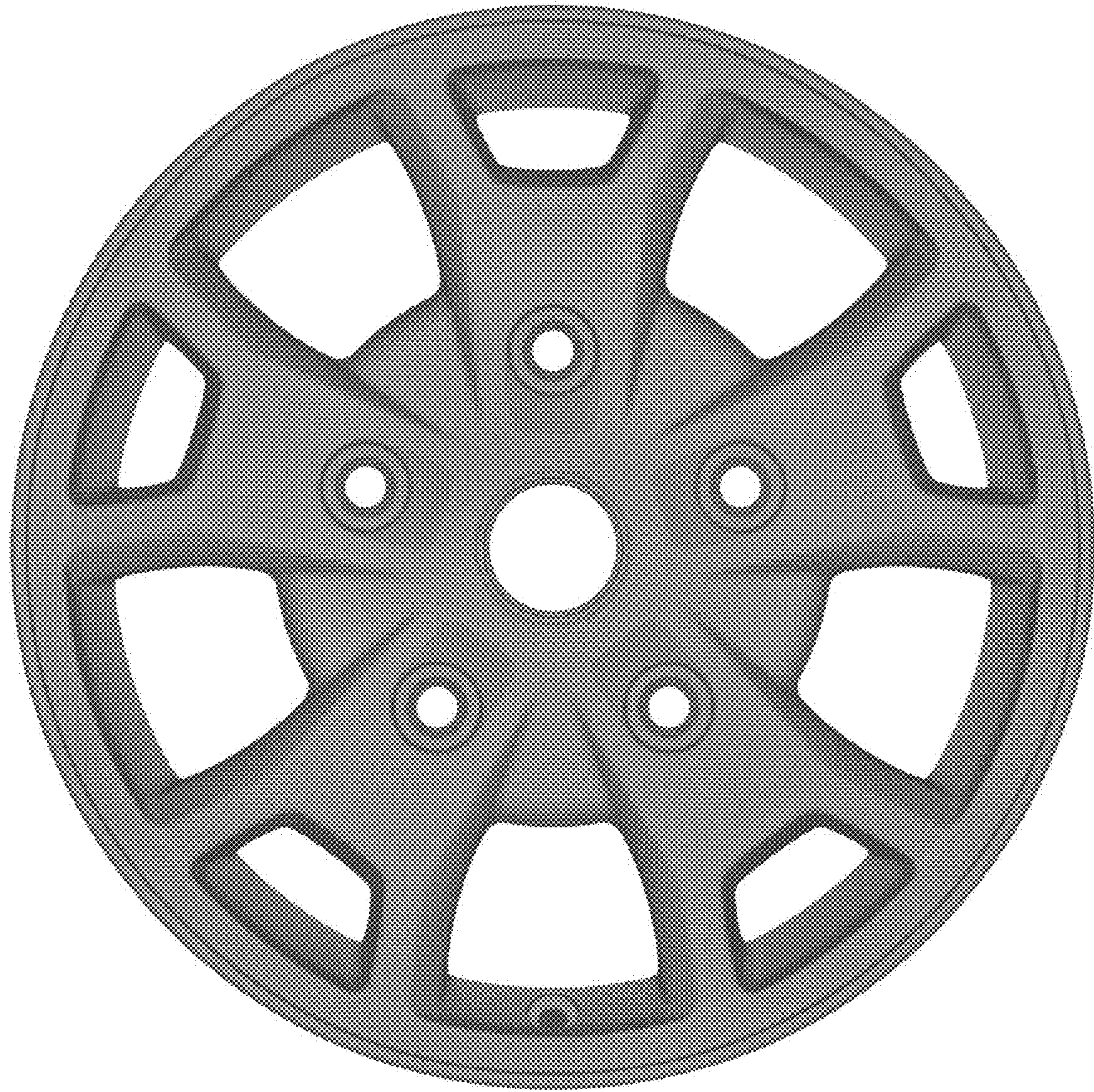
The ornamental design for a vehicle wheel, shown and described.

**DESCRIPTION**

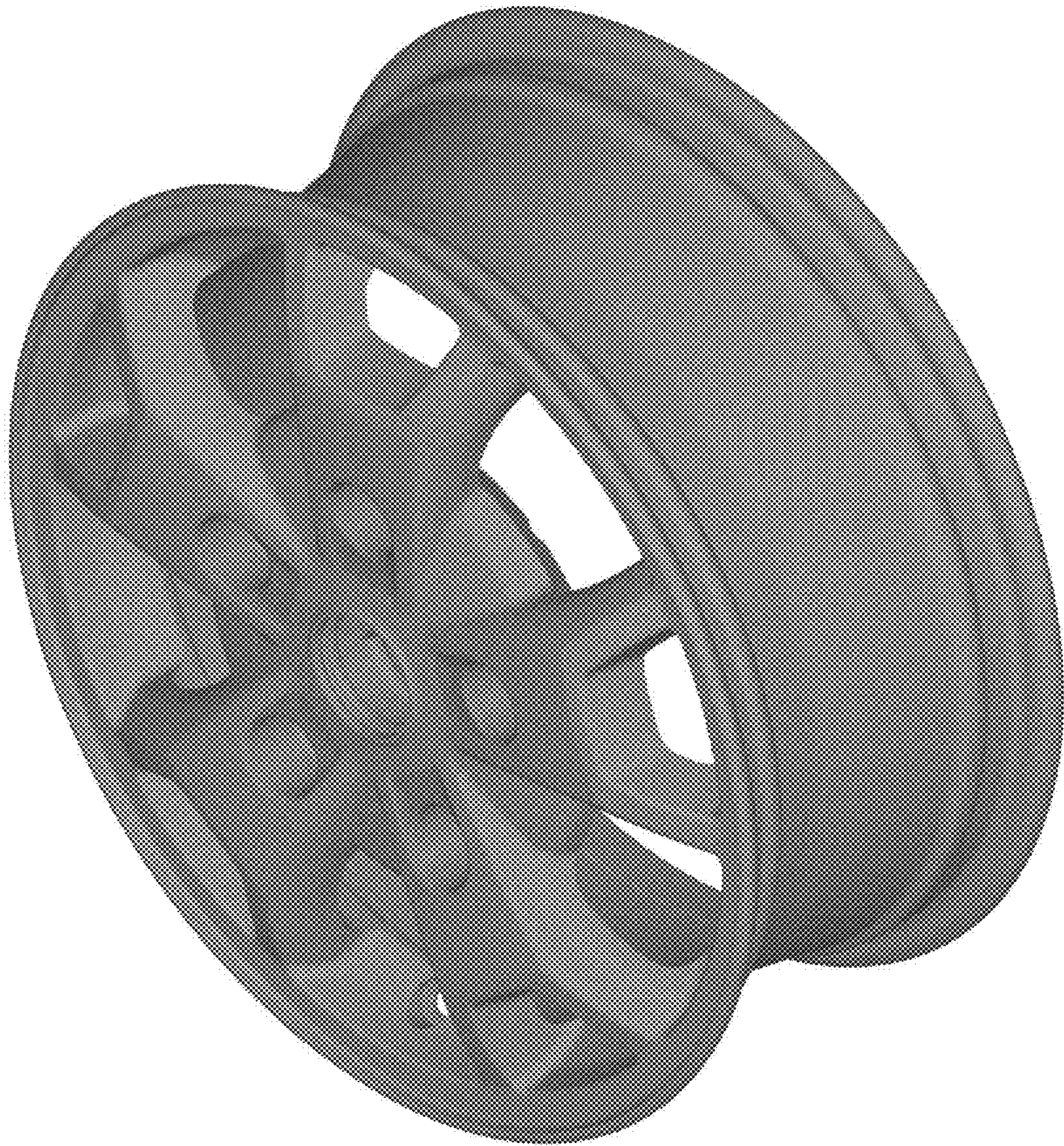
FIG. 1 is a front view of a vehicle wheel; and, FIG. 2 is a perspective view of the vehicle wheel.

**1 Claim, 2 Drawing Sheets**





*Figure 1*



*Figure 2*