



US00D683682S

(12) **United States Design Patent**
Alfonso

(10) **Patent No.:** **US D683,682 S**
(45) **Date of Patent:** **** Jun. 4, 2013**

- (54) **AUTOMOBILE WHEEL**
- (71) Applicant: **Ernie R. Alfonso**, Pomona, CA (US)
- (72) Inventor: **Ernie R. Alfonso**, Pomona, CA (US)
- (73) Assignee: **Direct Wheel Inc.**, Pomona, CA (US)
- (**) Term: **14 Years**
- (21) Appl. No.: **29/434,165**
- (22) Filed: **Oct. 10, 2012**
- (51) **LOC (9) Cl.** **12-16**
- (52) **U.S. Cl.**
USPC **D12/209**
- (58) **Field of Classification Search**
USPC D12/204-213; 301/37.101, 64.101,
301/65, 64.201
See application file for complete search history.

- D626,052 S * 10/2010 Majdandzic D12/209
- D654,006 S * 2/2012 Baum D12/209
- D654,843 S * 2/2012 Futschik et al. D12/211
- D658,102 S * 4/2012 Nissl D12/209
- D660,217 S * 5/2012 Nissl D12/209
- D660,763 S * 5/2012 Chan D12/209
- D663,668 S * 7/2012 Pollmann D12/209
- D666,954 S * 9/2012 Antoniadis et al. D12/209

* cited by examiner

Primary Examiner — Stacia Cadmus
(74) *Attorney, Agent, or Firm* — Adli Law Group P.C.

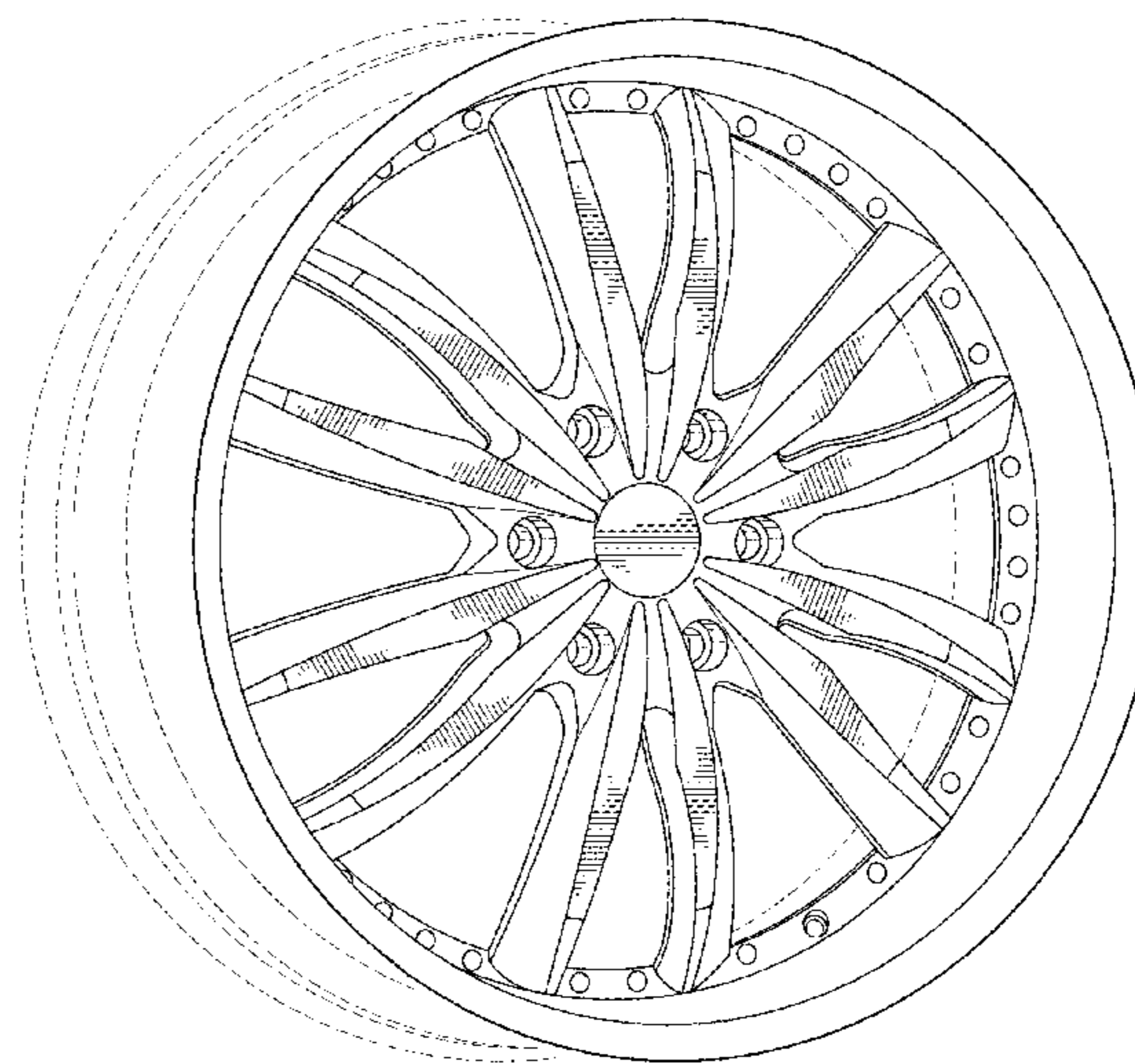
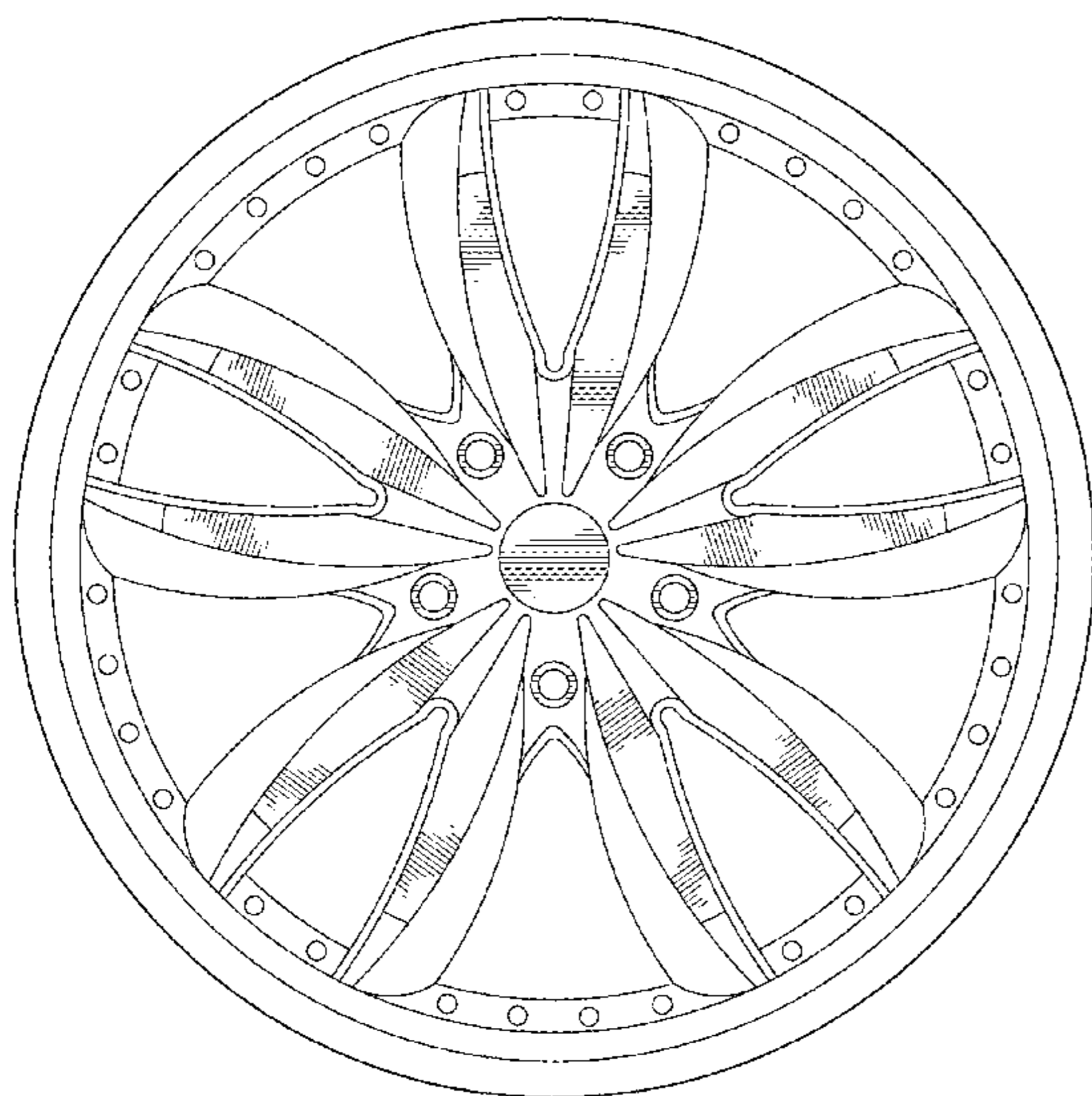
(57) **CLAIM**
The ornamental design for an automobile wheel, as shown and described.

DESCRIPTION

FIG. 1 is a front elevational view of an automobile wheel, showing my new design with 5 spokes;
FIG. 2 is perspective view thereof;
FIG. 3 is a front elevational view of a second embodiment of an automobile wheel, showing my new design with 6 spokes; and,
FIG. 4 is perspective view thereof.
The broken line showing of the rear of the rim is included for the purpose of illustrating environment and forms no part of the claimed design.

1 Claim, 4 Drawing Sheets

- (56) **References Cited**
U.S. PATENT DOCUMENTS
D466,849 S * 12/2002 Lee D12/209
D510,899 S * 10/2005 Noriega D12/209
D522,434 S * 6/2006 Langer D12/209
D580,842 S * 11/2008 Kim D12/211
D590,314 S * 4/2009 Hettler D12/209
D598,834 S * 8/2009 Juergens et al. D12/209



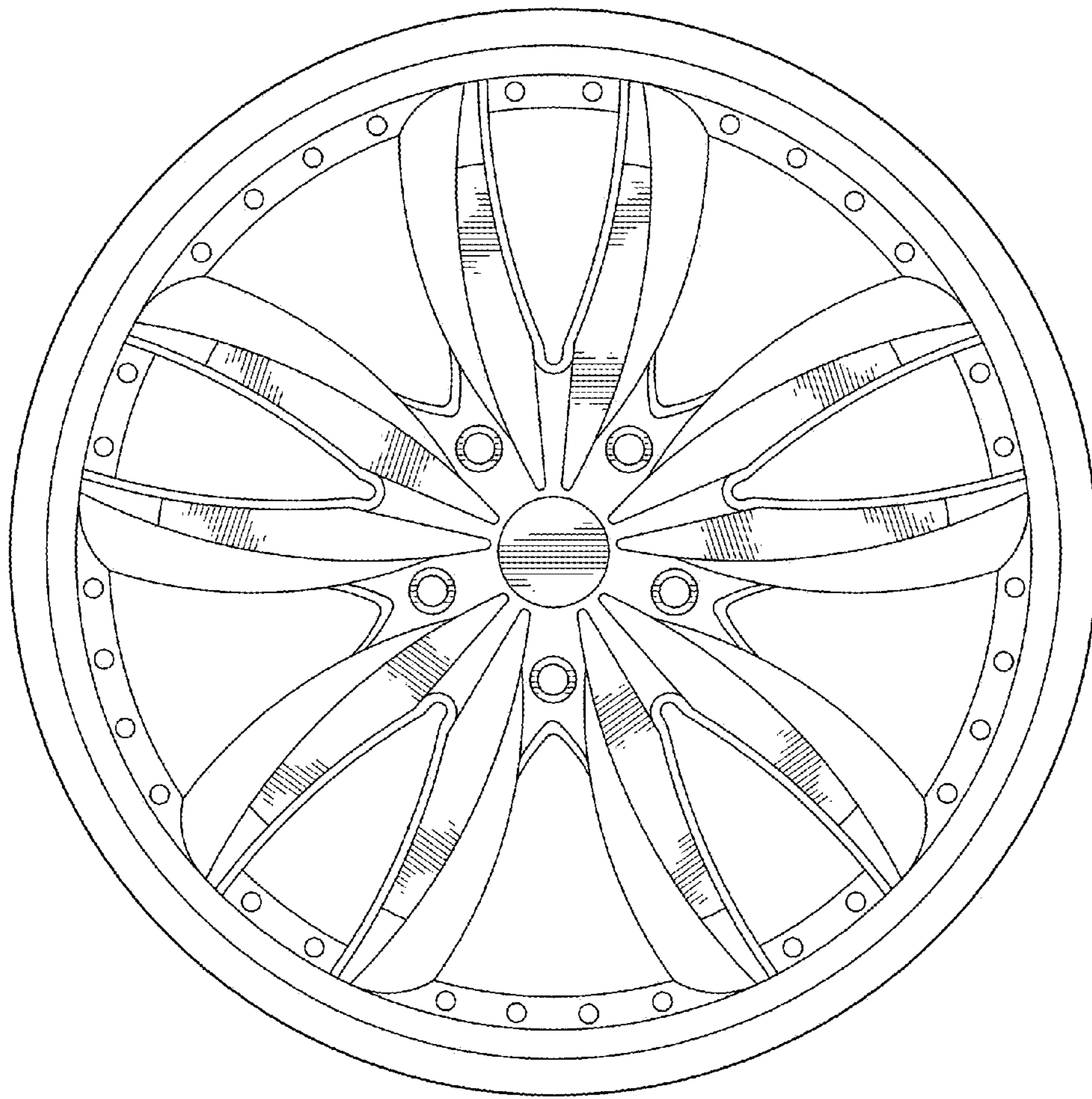


FIG. 1

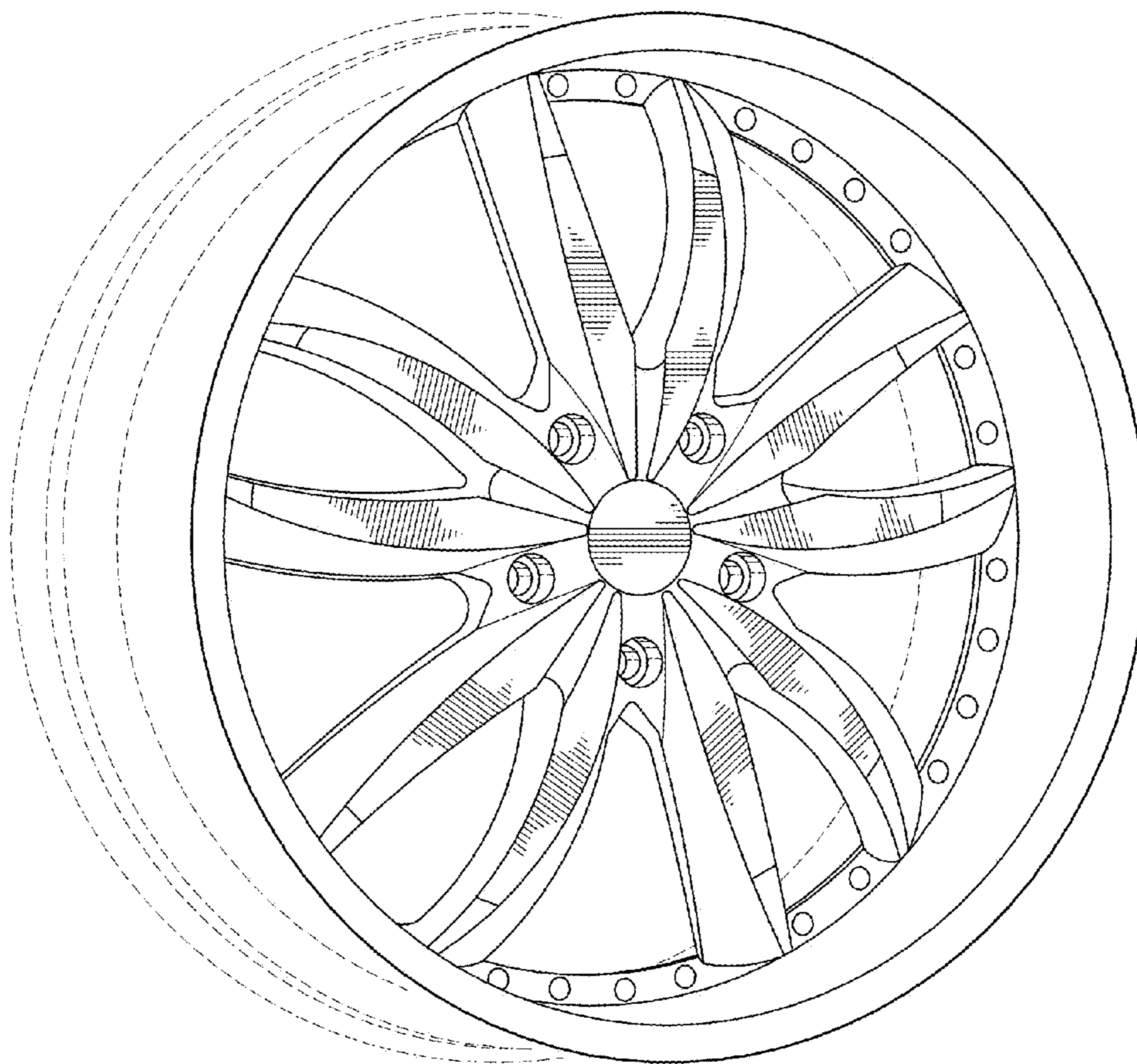


FIG. 2

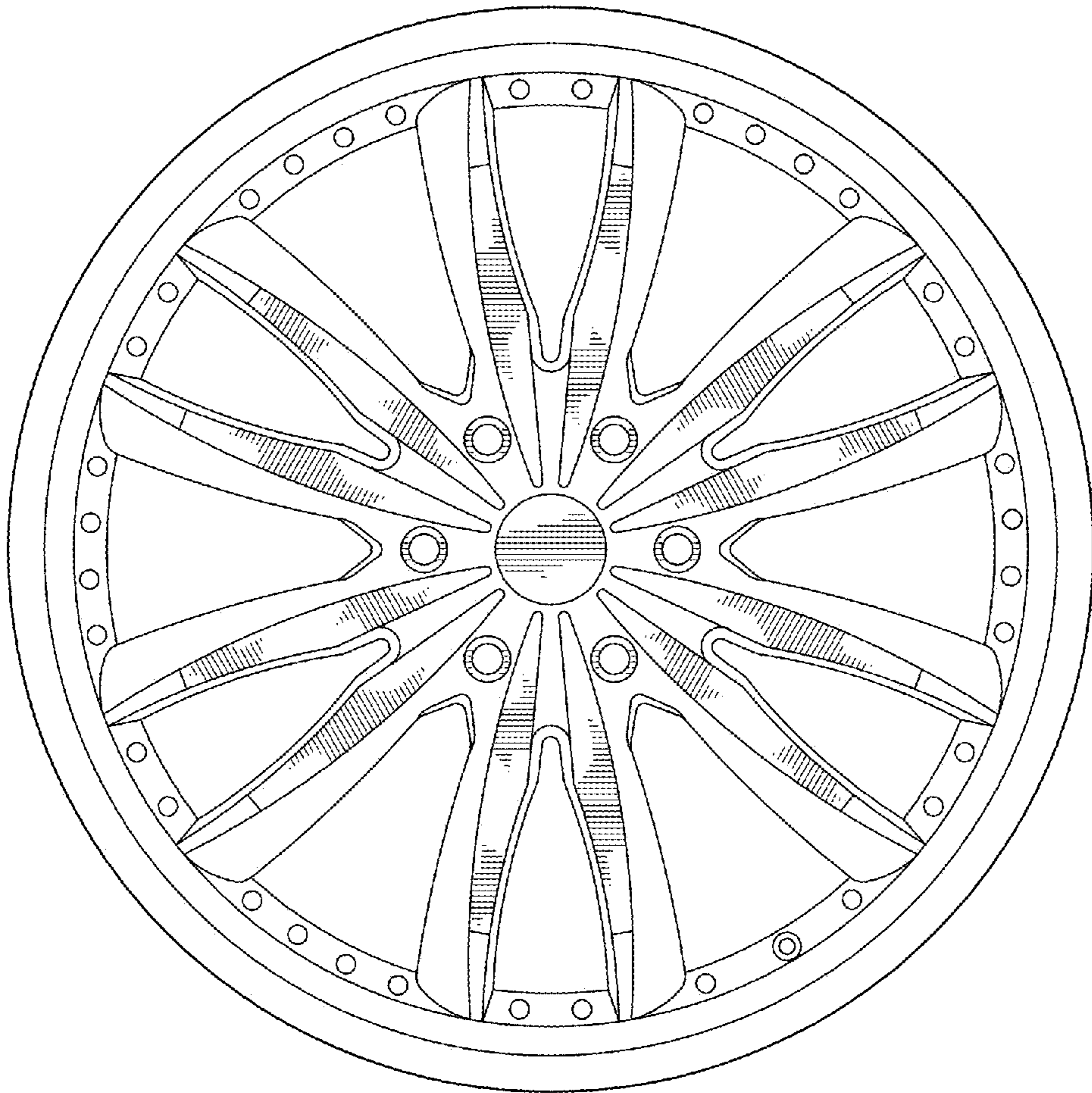


FIG. 3

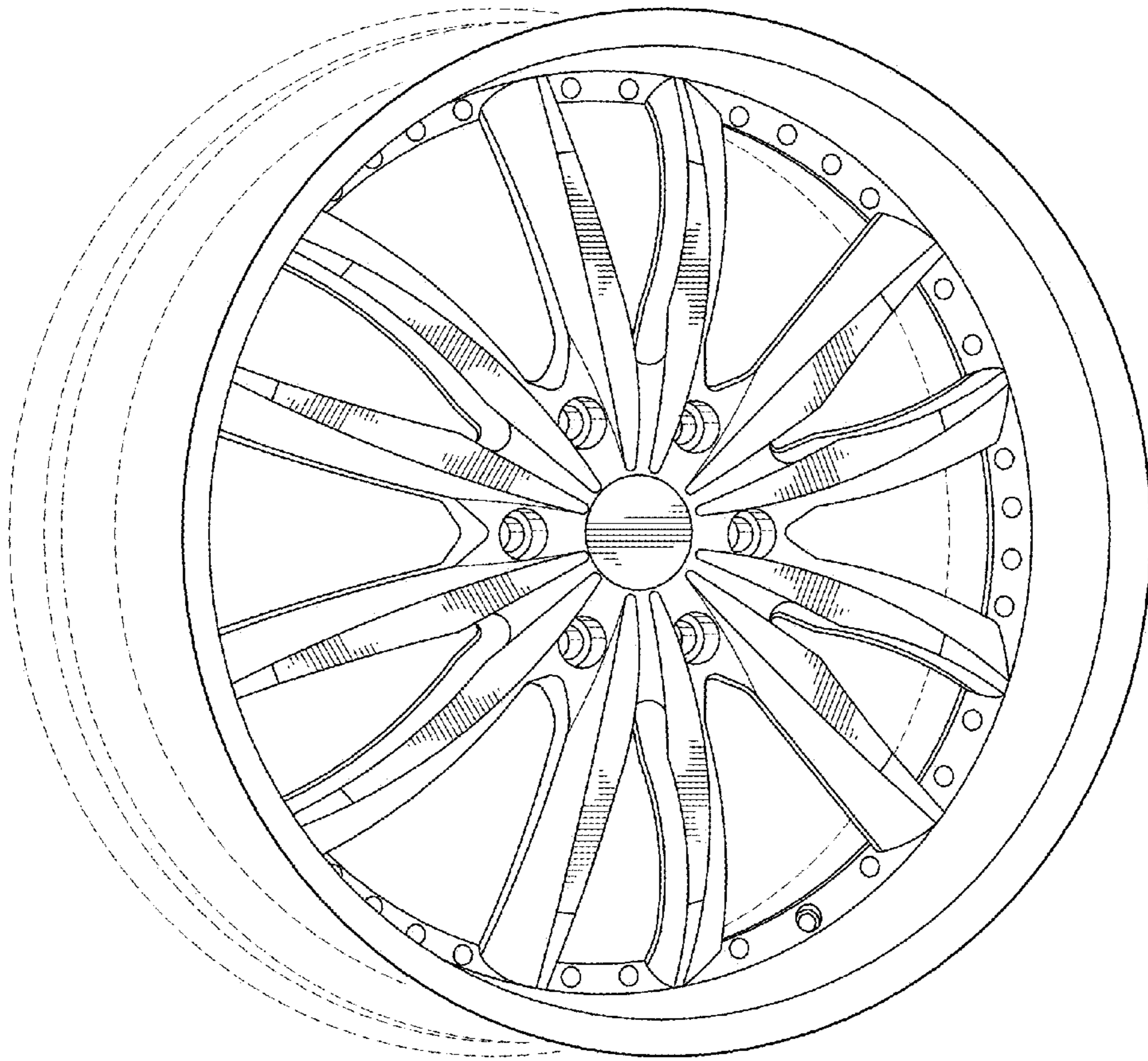


FIG. 4