



US00D683681S

(12) **United States Design Patent**
Juergens et al.

(10) **Patent No.:** **US D683,681 S**
(45) **Date of Patent:** **** Jun. 4, 2013**

(54) **WHEEL OR WHEEL COVER**
(75) Inventors: **Dirk Juergens, Munich (DE); Rainer Mueller, Munich (DE)**
(73) Assignee: **Bayerische Motoren Werke Aktiengesellschaft, Munich (DE)**

(**) **Term:** **14 Years**

(21) **Appl. No.:** **29/417,547**

(22) **Filed:** **Apr. 5, 2012**

(30) **Foreign Application Priority Data**

Oct. 6, 2011 (DE) 402011006237

(51) **LOC (9) Cl.** **12-16**

(52) **U.S. Cl.**
USPC **D12/209**

(58) **Field of Classification Search**
USPC D12/204-213; 301/37.101, 64.101,
301/65, 64.201

See application file for complete search history.

(56) **References Cited**

U.S. PATENT DOCUMENTS

D390,822 S * 2/1998 Neeper D12/209
D396,444 S * 7/1998 Neeper D12/209
D399,811 S * 10/1998 Echazabal D12/209
D400,154 S * 10/1998 Noriega D12/209
D405,043 S * 2/1999 Moreno D12/209
D419,943 S * 2/2000 Roesianto D12/209
D430,842 S * 9/2000 Chinellato D12/209
D435,004 S * 12/2000 Noriega D12/209

D486,772 S 2/2004 Warming
D525,184 S 7/2006 Huet
D567,167 S 4/2008 Forster
D593,476 S 6/2009 Juergens et al.
D594,800 S * 6/2009 Blasi D12/209
D612,788 S * 3/2010 Junker D12/209
D617,249 S 6/2010 Juergens et al.
D669,833 S * 10/2012 Pollmann D12/209
D671,475 S * 11/2012 Juergens et al. D12/209

FOREIGN PATENT DOCUMENTS

DE 40202745.0 7/2002
EM 000422795-0004 12/2005
EM 000735758-0006 7/2007
EM 000997572-0003 10/2008
EM 001598277-0003 1/2010
EM 001772922-0017 10/2010

* cited by examiner

Primary Examiner — Stacia Cadmus

(74) *Attorney, Agent, or Firm* — Crowell & Moring LLP

(57) **CLAIM**

The ornamental design for a wheel or wheel cover, as shown and described.

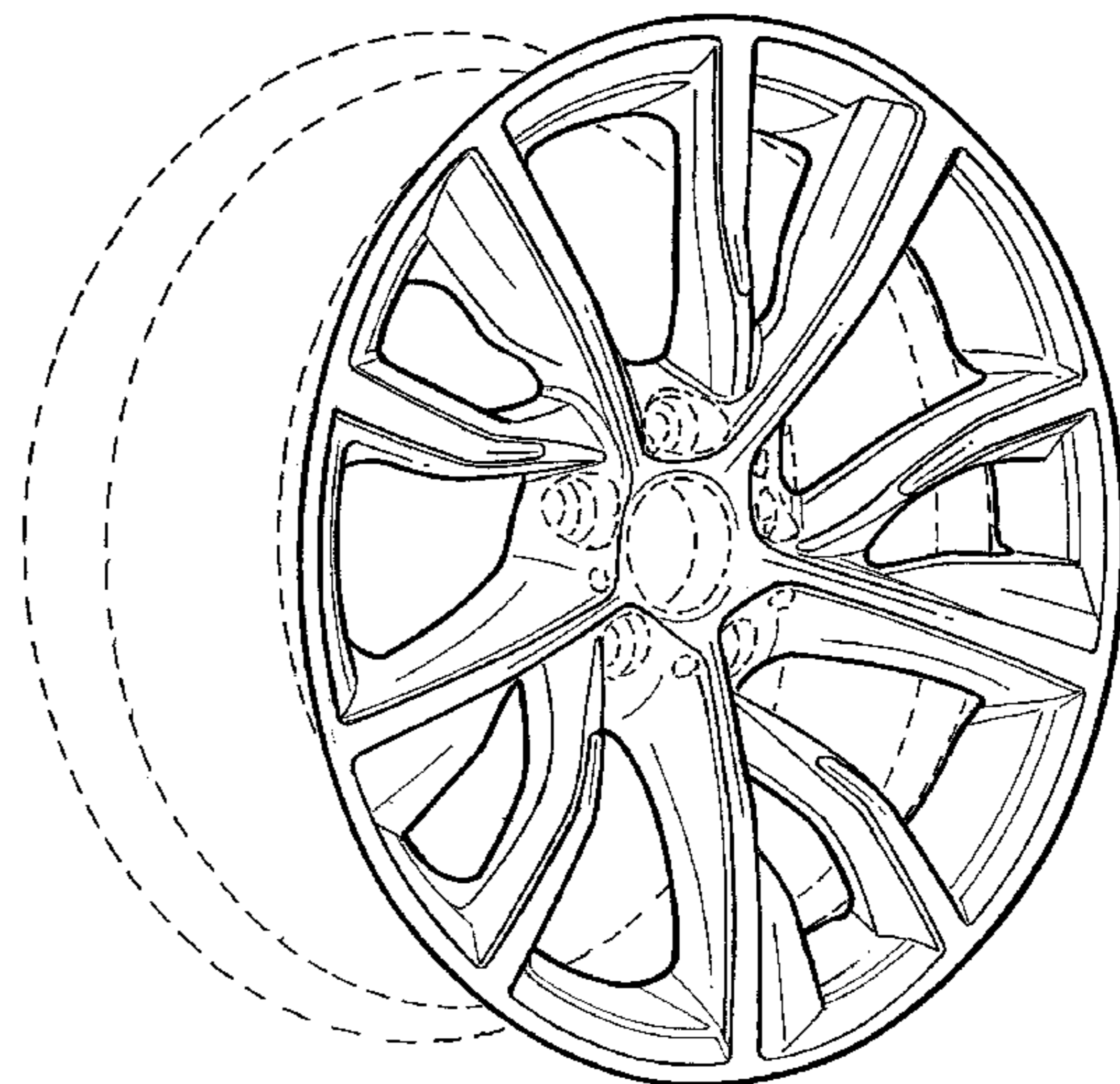
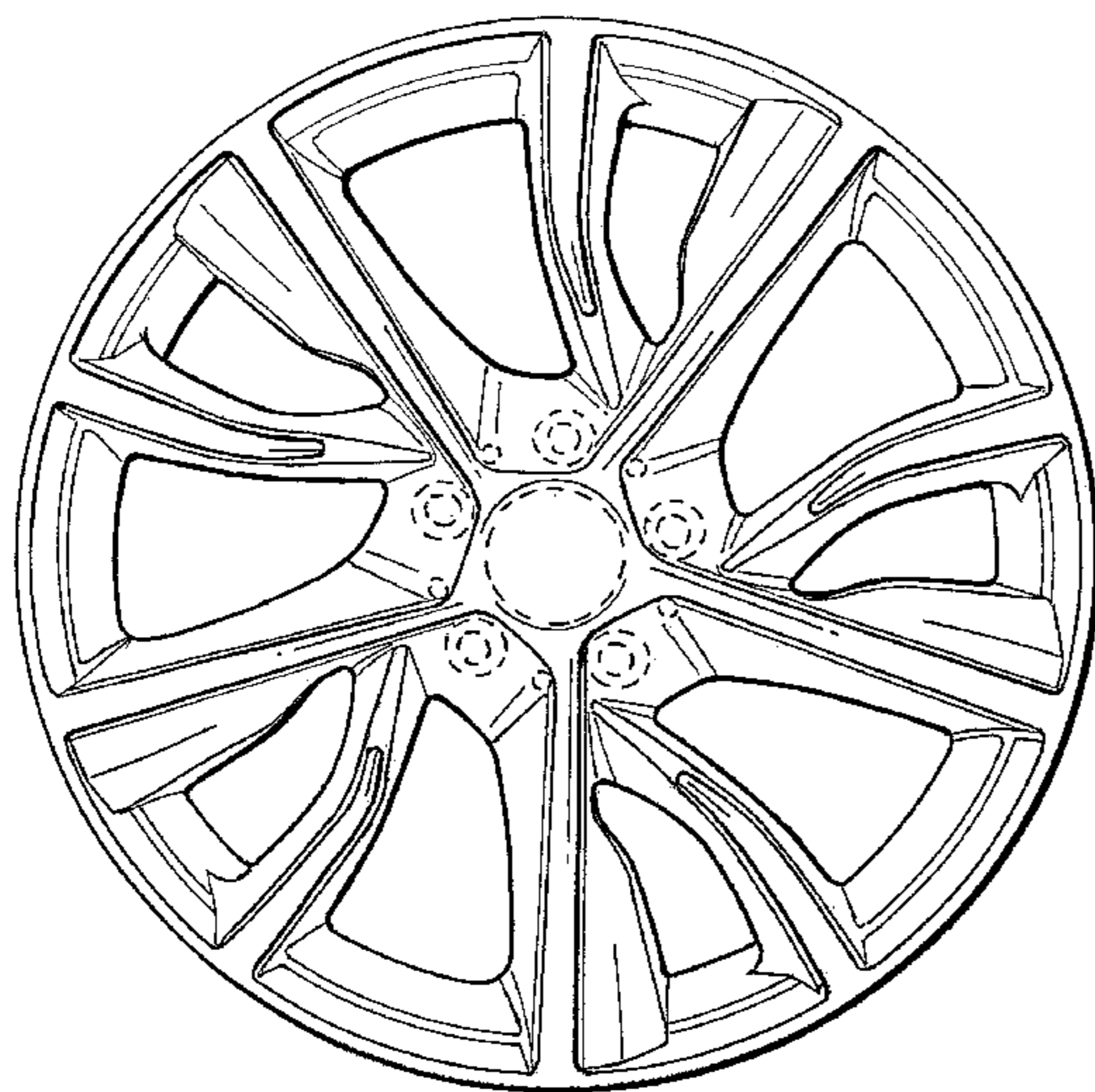
DESCRIPTION

FIG. 1 is a front view of a wheel or wheel cover according to our design; and,

FIG. 2 is a perspective view thereof.

The broken line showing of the rear of the wheel and the bolt holes and center opening in the central hub area is included for the purpose of illustrating environment and forms no part of the claimed design.

1 Claim, 1 Drawing Sheet



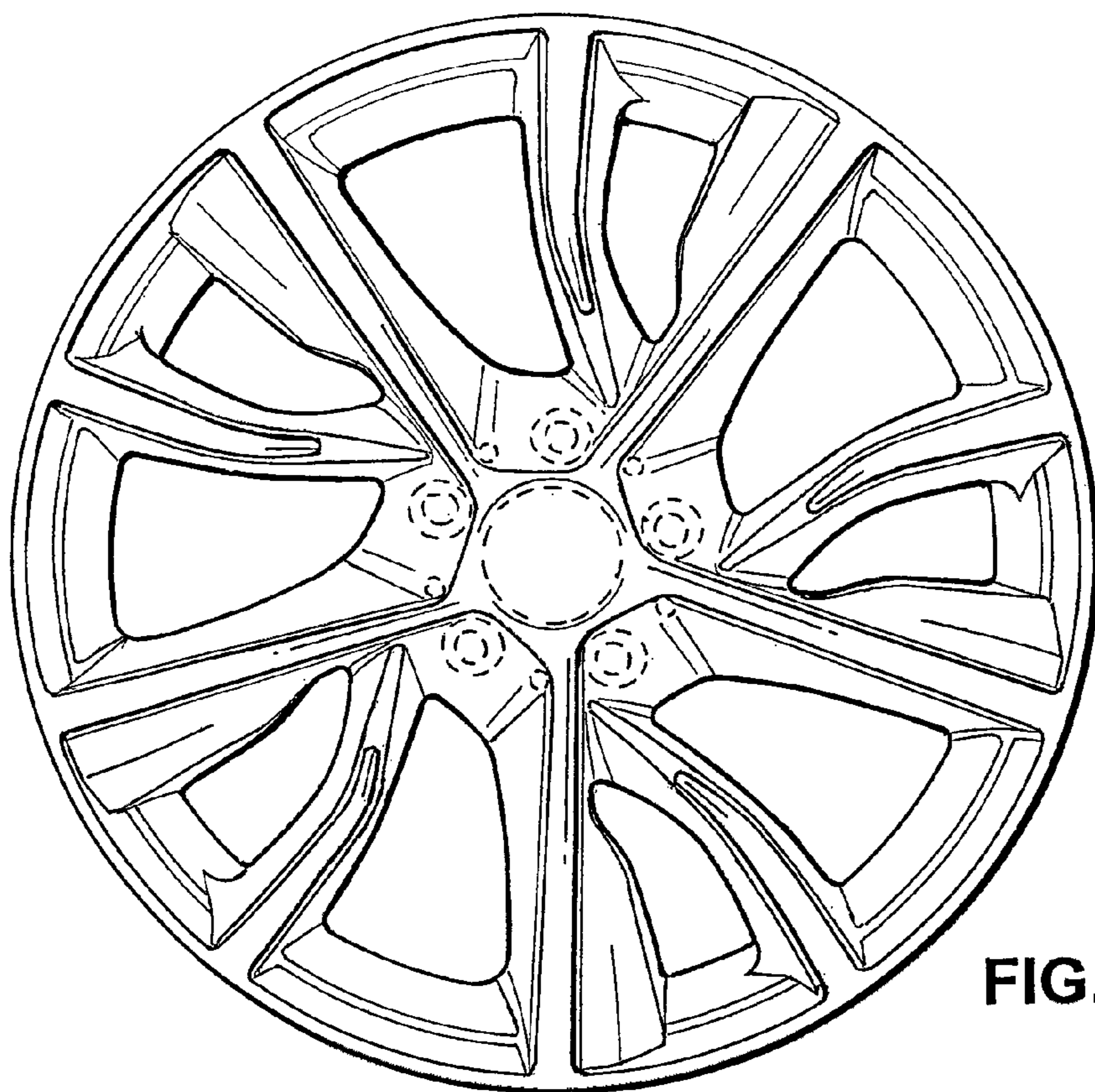


FIG. 1

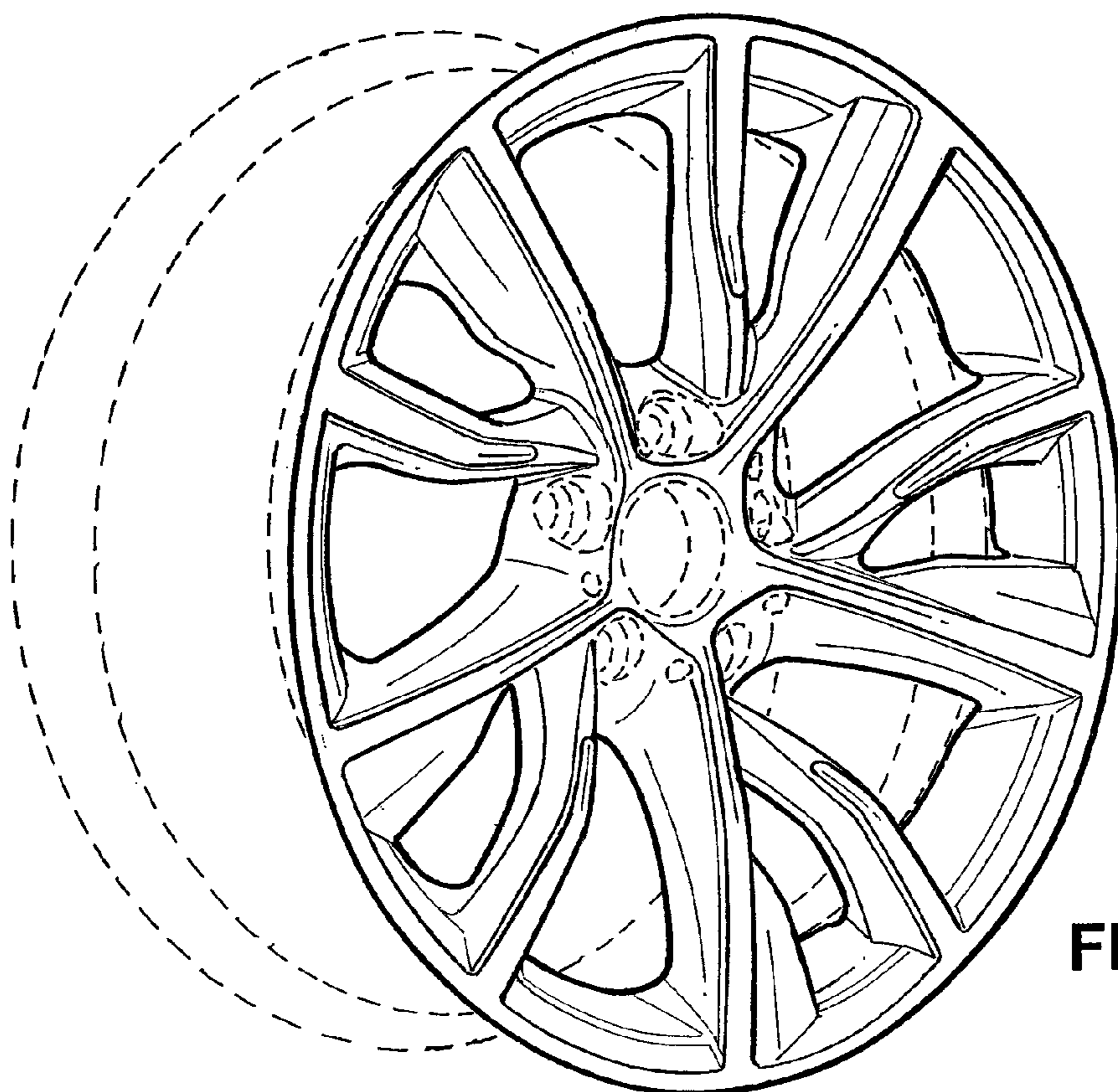


FIG. 2