



US00D683679S

(12) **United States Design Patent**
Platto et al.

(10) **Patent No.:** **US D683,679 S**
(45) **Date of Patent:** **** Jun. 4, 2013**

(54) **VEHICLE FENDER**

(75) Inventors: **Gordon M. Platto**, Troy, MI (US); **Earl Clyde Lucas**, Brentwood (GB); **Rick Howard**, Brighton, MI (US); **Dong Park**, Royal Oak, MI (US)

(73) Assignee: **Ford Motor Company**, Dearborn, MI (US)

(**) Term: **14 Years**

(21) Appl. No.: **29/411,615**

(22) Filed: **Jan. 24, 2012**

(51) **LOC (9) Cl.** **12-16**

(52) **U.S. Cl.**
USPC **D12/184**

(58) **Field of Classification Search**
USPC D12/184, 196, 90-92, 181; 280/152.1, 280/847-849, 851; 296/181.1, 181.5
See application file for complete search history.

(56) **References Cited**

U.S. PATENT DOCUMENTS

D561,667 S 2/2008 Platto
D607,798 S * 1/2010 Weil D12/184

D620,407 S * 7/2010 Froehlich D12/184
D629,344 S * 12/2010 Komuro D12/181
D659,616 S * 5/2012 Matsumoto et al. D12/184
D669,829 S * 10/2012 Iwao et al. D12/184
D671,871 S * 12/2012 Ohkoshi D12/184
D672,295 S * 12/2012 Yamada et al. D12/184

* cited by examiner

Primary Examiner — Melody Brown

(74) *Attorney, Agent, or Firm* — Damian Porcari

(57) **CLAIM**

The ornamental design for a vehicle fender, as shown and described.

DESCRIPTION

FIG. 1 is a left side elevational view of a left vehicle fender (the right vehicle fender being a mirror image and is not shown);

FIG. 2 is a right side elevational view of the vehicle fender;

FIG. 3 is a front elevational view of the vehicle fender;

FIG. 4 is a rear elevational view of the vehicle fender;

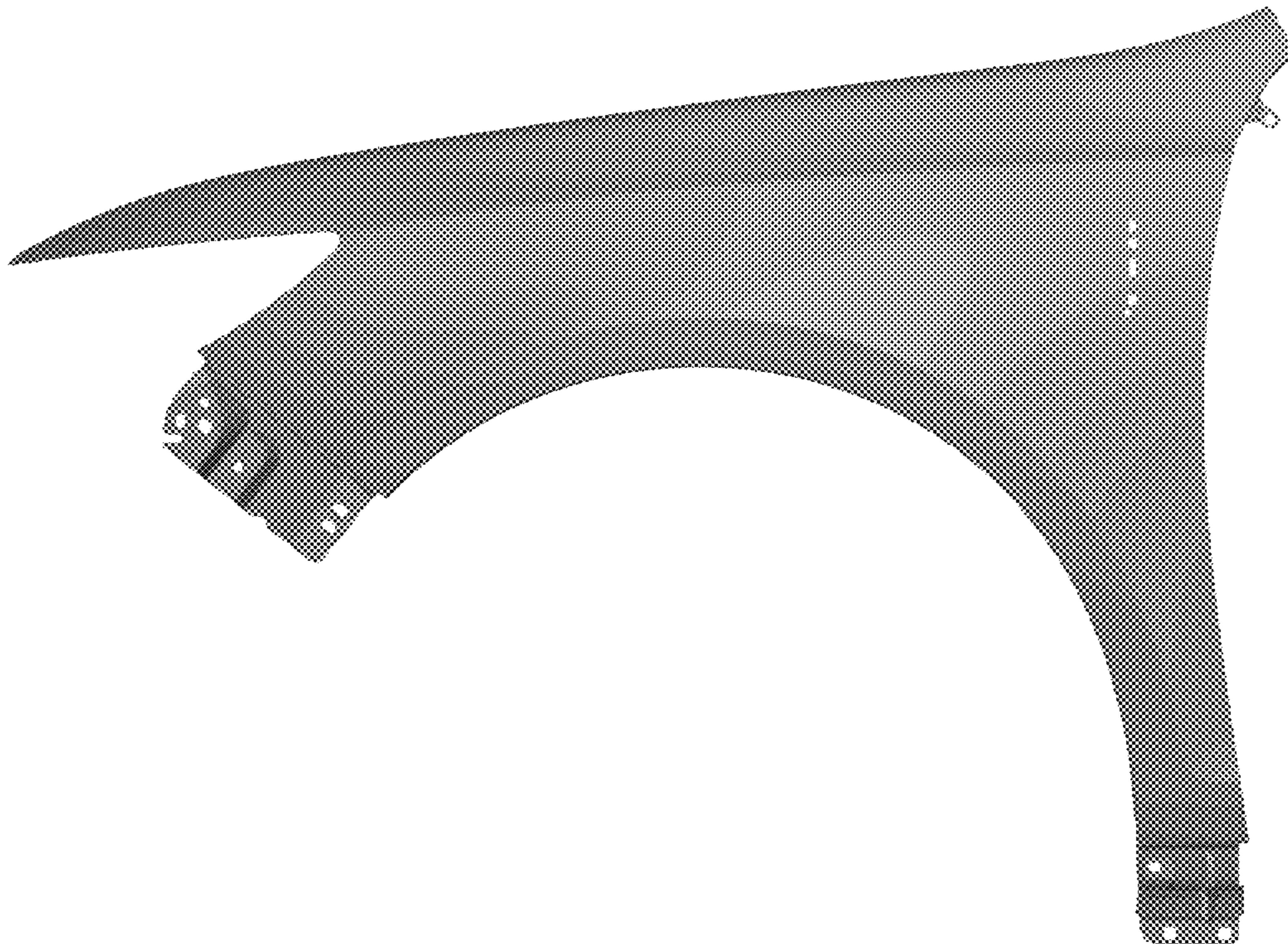
FIG. 5 is a top plan view of the vehicle fender;

FIG. 6 is a bottom plan view of the vehicle fender;

FIG. 7 is a perspective view of the vehicle fender; and,

FIG. 8 is another perspective view of the vehicle fender.

1 Claim, 8 Drawing Sheets



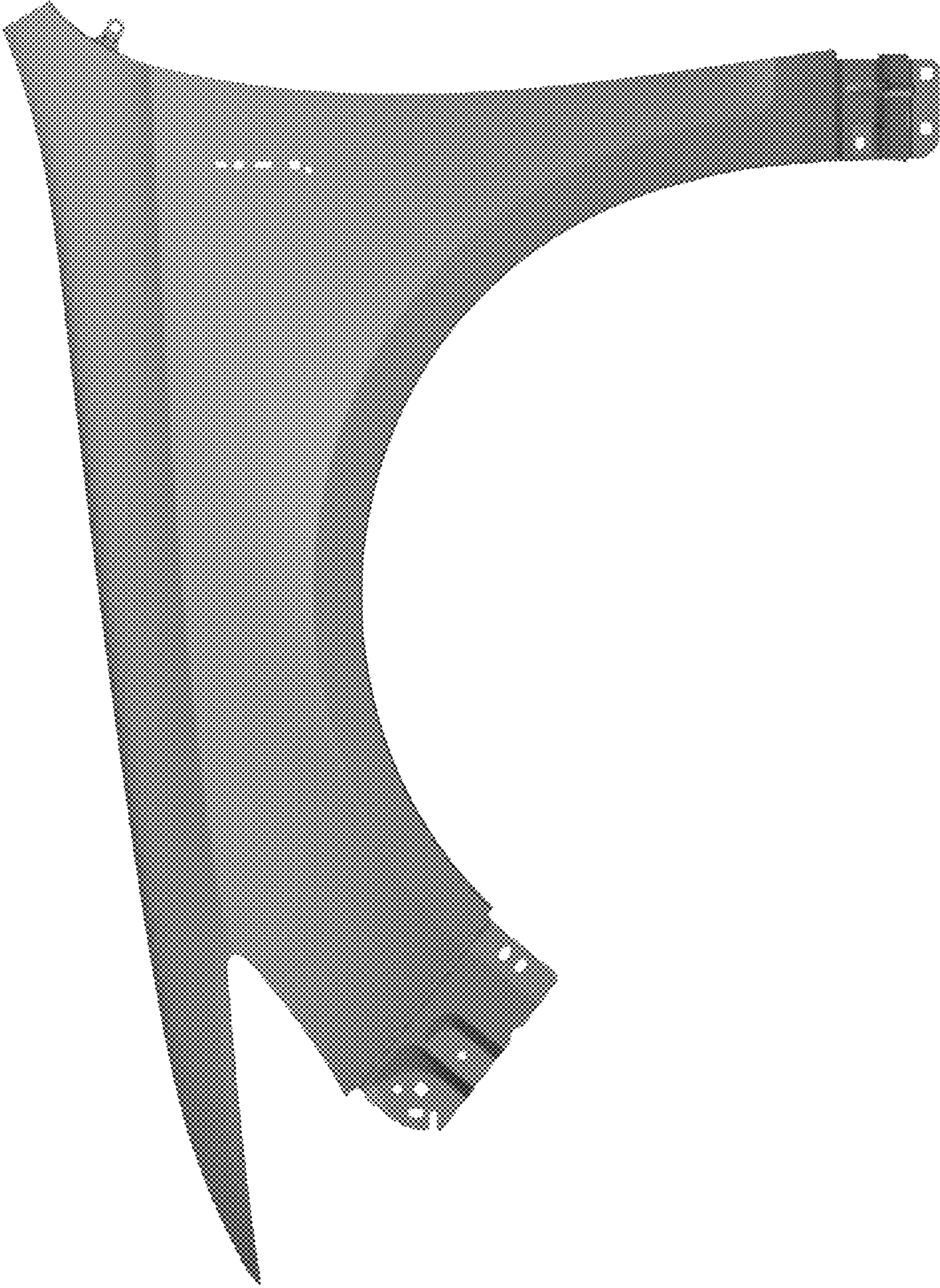


Figure 1

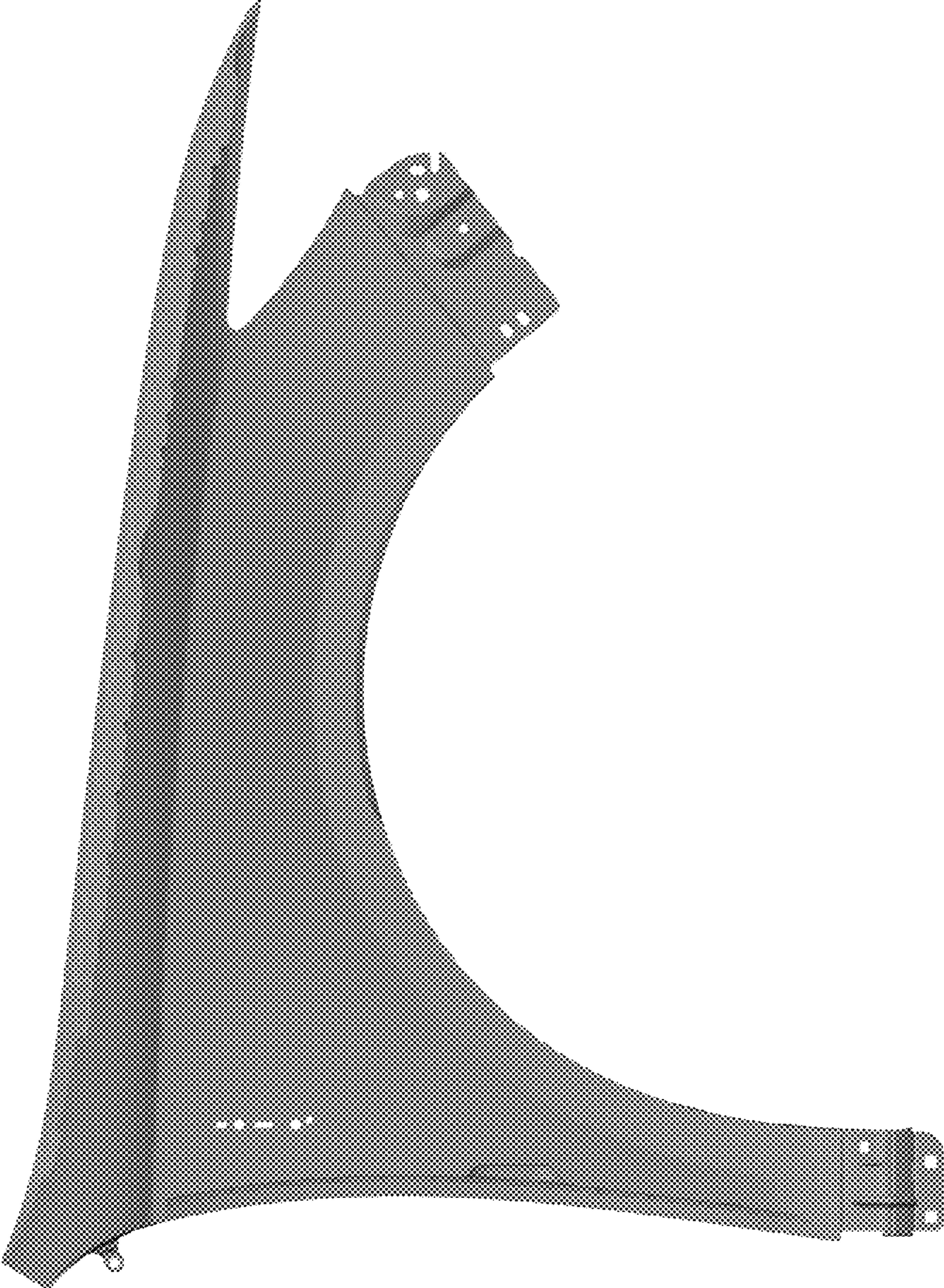
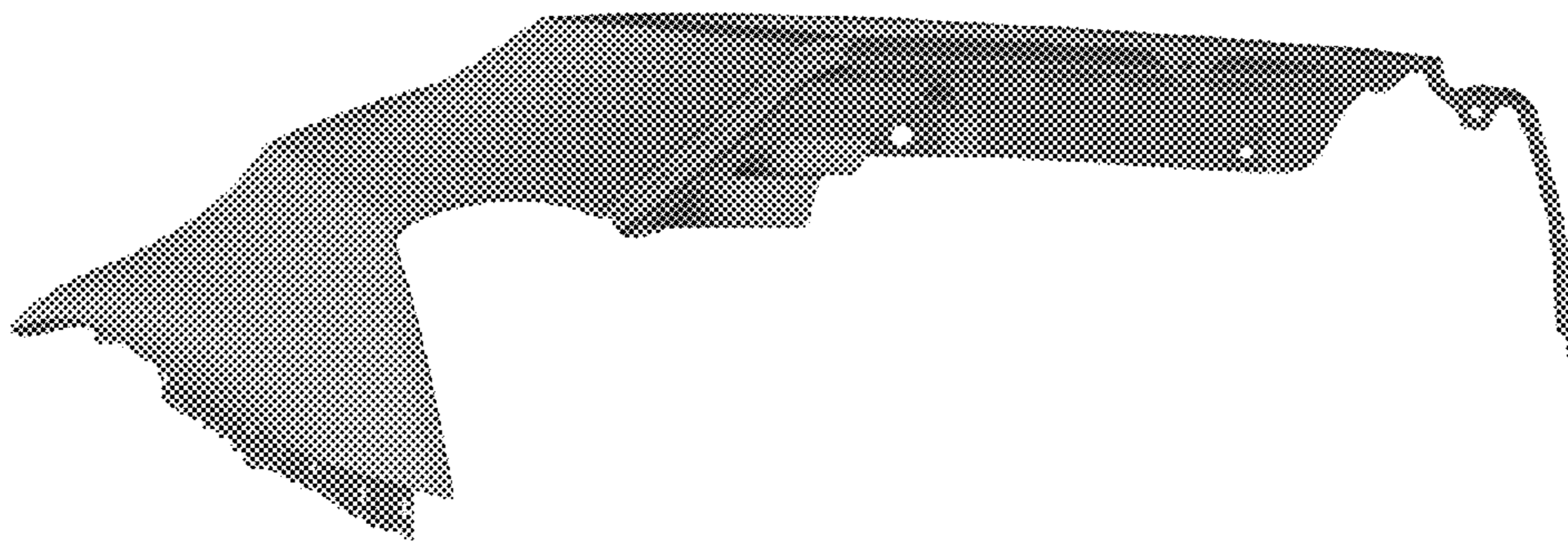


Figure 2

Figure 3



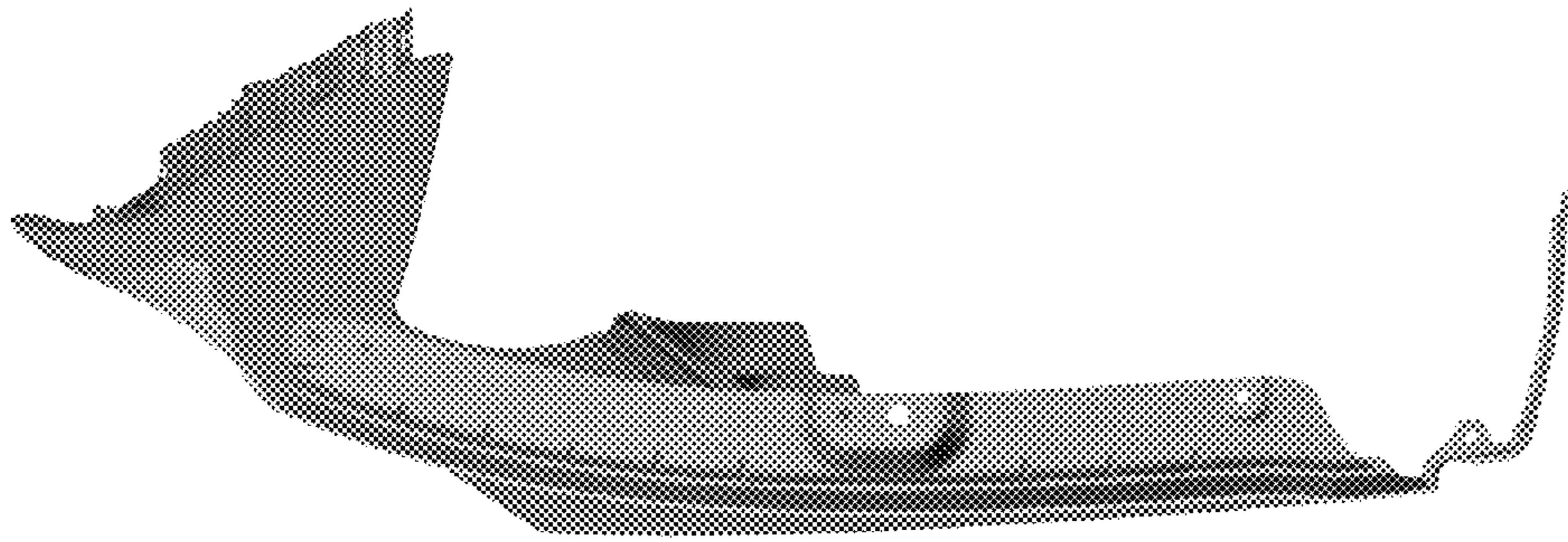


Figure 4

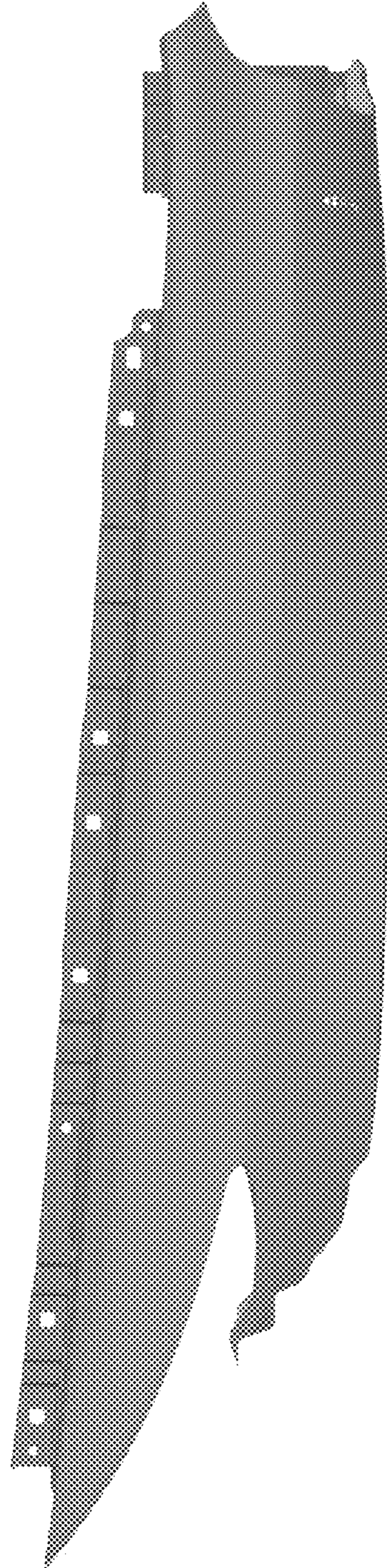


Figure 5

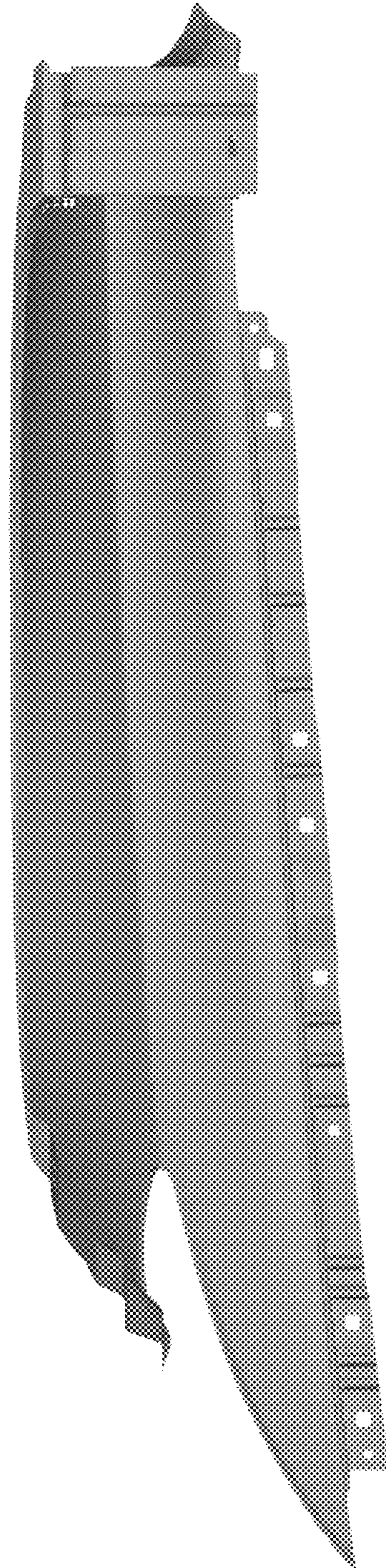


Figure 6

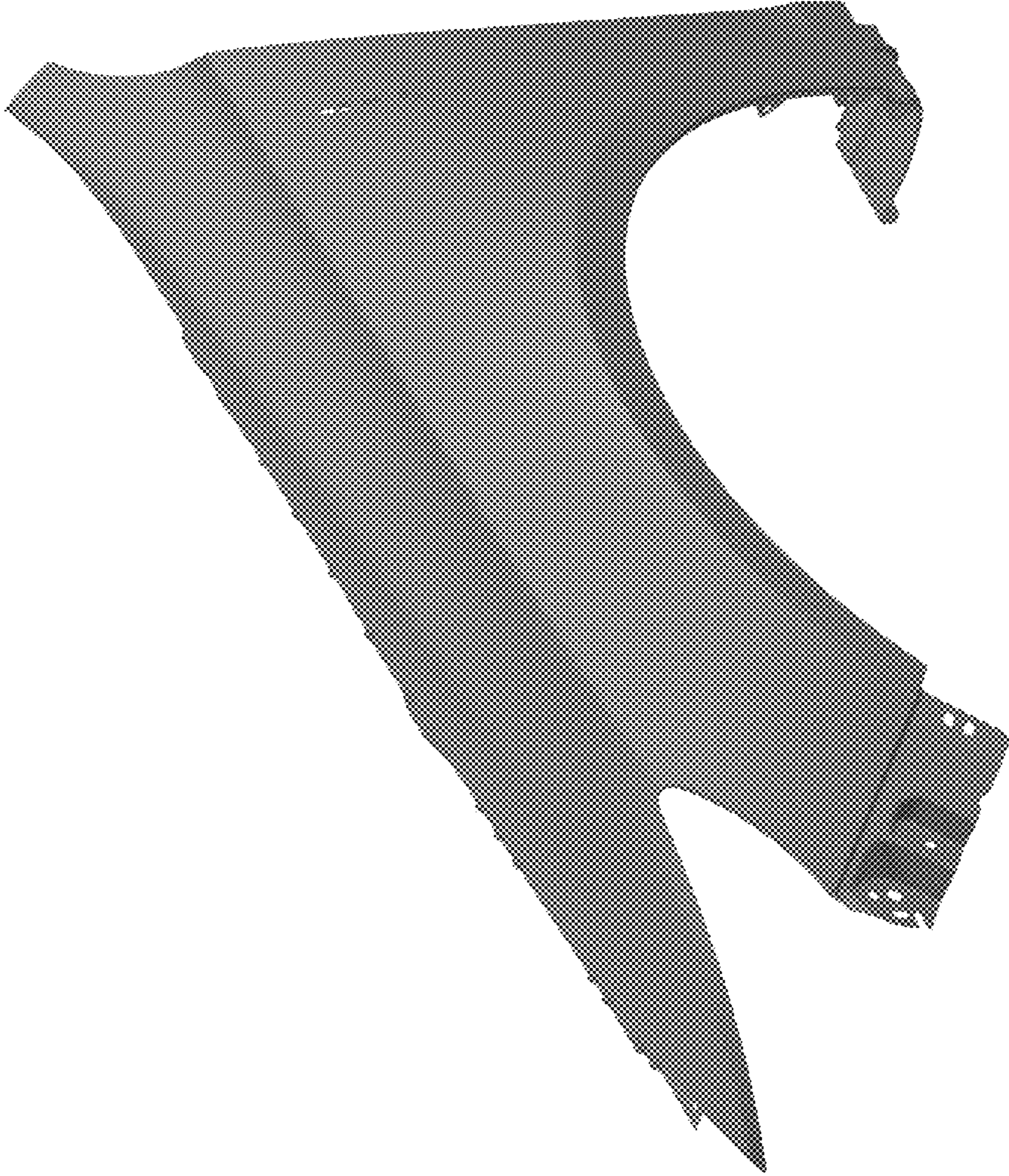


Figure 7

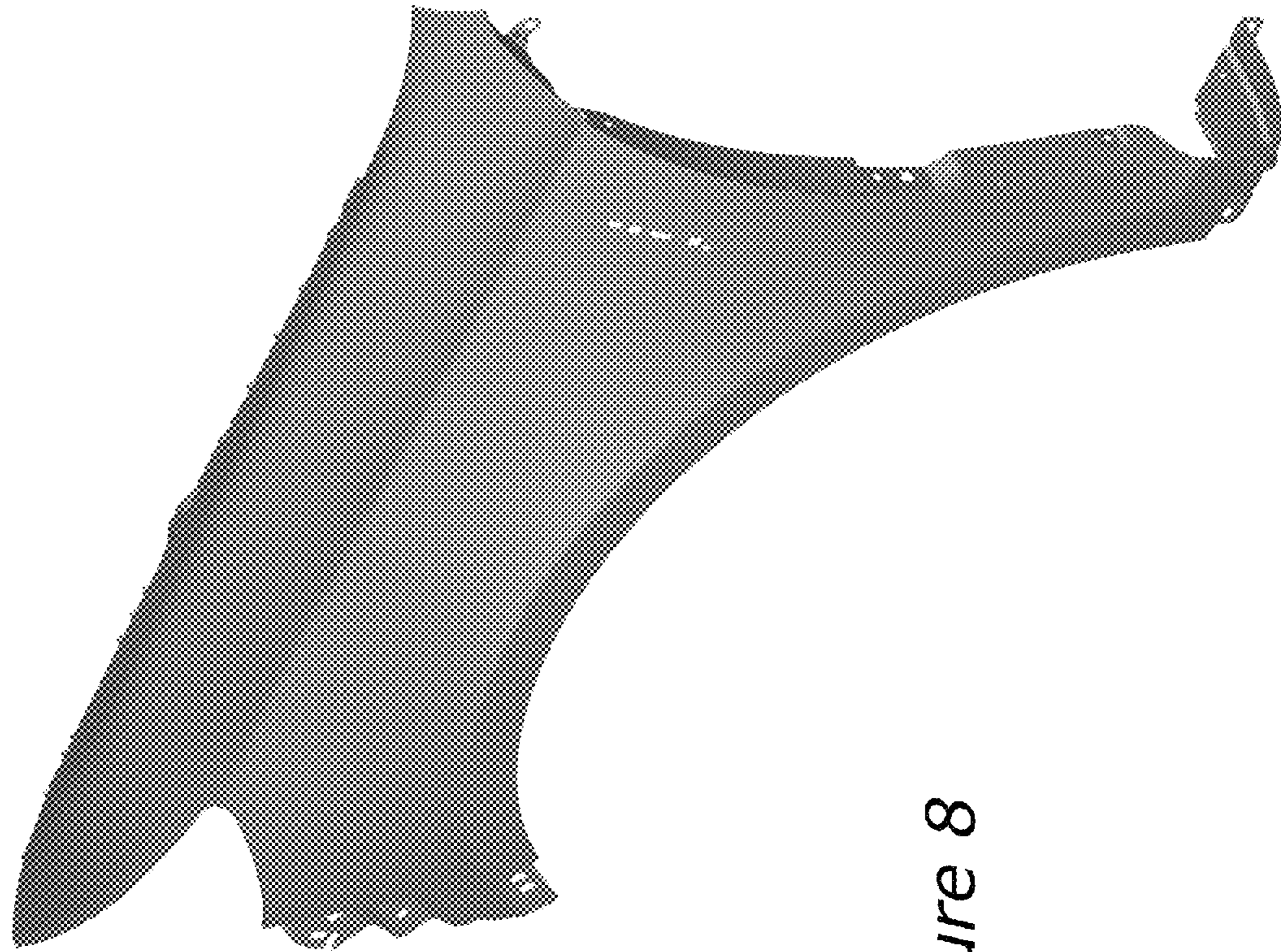


Figure 8