



US00D683677S

(12) **United States Design Patent**
Varga

(10) **Patent No.:** **US D683,677 S**

(45) **Date of Patent:** **** Jun. 4, 2013**

(54) **SPOILER FOR A MOTOR VEHICLE**

(75) Inventor: **Peter Varga**, Pforzheim (DE)

(73) Assignee: **Dr. Ing. h.c. F. Porsche**
Aktiengesellschaft, Stuttgart (DE)

(**) Term: **14 Years**

(21) Appl. No.: **29/399,954**

(22) Filed: **Aug. 22, 2011**

(30) **Foreign Application Priority Data**

Feb. 24, 2011 (DE) 402011002502

(51) **LOC (9) Cl.** **12-08**

(52) **U.S. Cl.**
USPC **D12/181**

(58) **Field of Classification Search**
USPC ... D12/181, 191, 196, 400, 190, 88; 280/727,
280/770, 848; 296/180.1-180.5, 91; 180/903
See application file for complete search history.

(56) **References Cited**

U.S. PATENT DOCUMENTS

D409,963 S * 5/1999 Mobius et al. D12/181
D559,751 S * 1/2008 Djordjevic D12/181

D573,070 S * 7/2008 Akasawa et al. D12/181
D606,918 S * 12/2009 Larson D12/181
D620,854 S * 8/2010 Akasawa et al. D12/181
D625,232 S * 10/2010 Borkert D12/181
D638,337 S * 5/2011 Francisco D12/181
D669,005 S * 10/2012 Varga D12/181

* cited by examiner

Primary Examiner — Katrina A Betton

(74) *Attorney, Agent, or Firm* — RatnerPrestia

(57) **CLAIM**

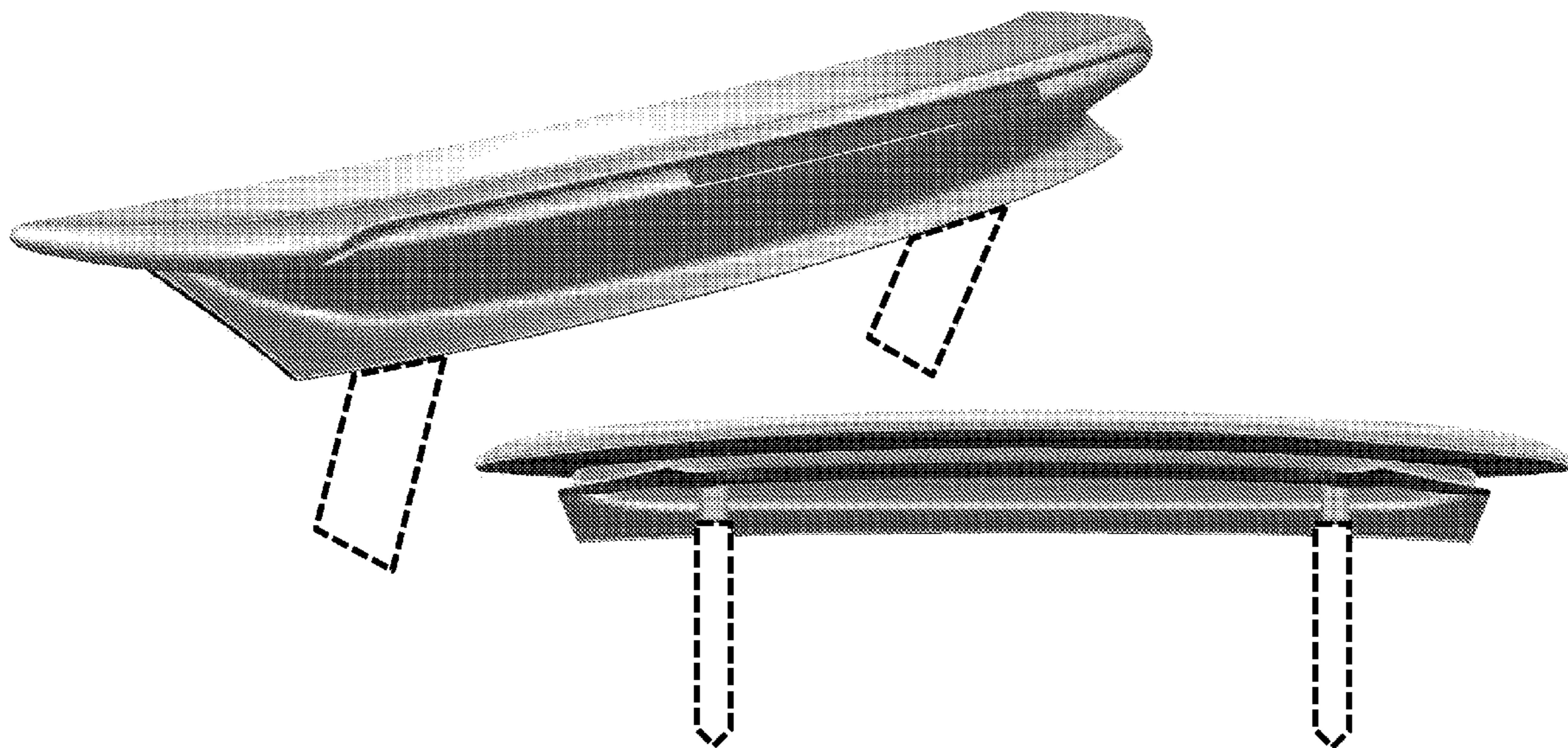
The ornamental design for a spoiler for a motor vehicle, as shown and described.

DESCRIPTION

FIG. 1 is a perspective view of a spoiler for a motor vehicle;
FIG. 2 is a front elevation view of the spoiler;
FIG. 3 is a rear elevation view of the spoiler;
FIG. 4 is an elevation view from the left side of the spoiler;
FIG. 5 is an elevation view from the right side of the spoiler;
FIG. 6 is a top plan view of the spoiler; and,
FIG. 7 is a bottom plan view of the spoiler.

The features of the spoiler that are encircled by broken lines are for illustration purposes only and form no part of the claimed design.

1 Claim, 5 Drawing Sheets



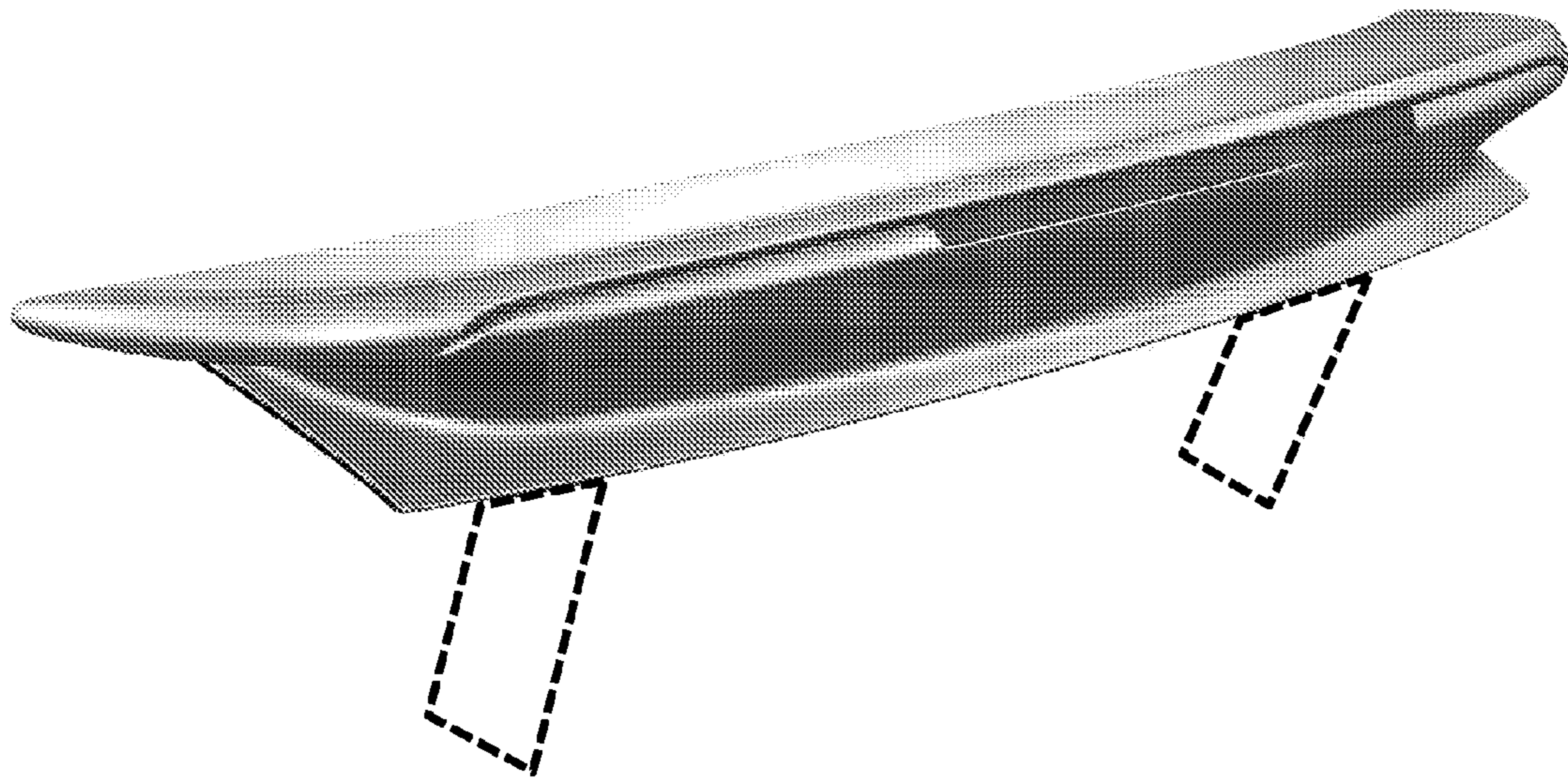


Figure 1

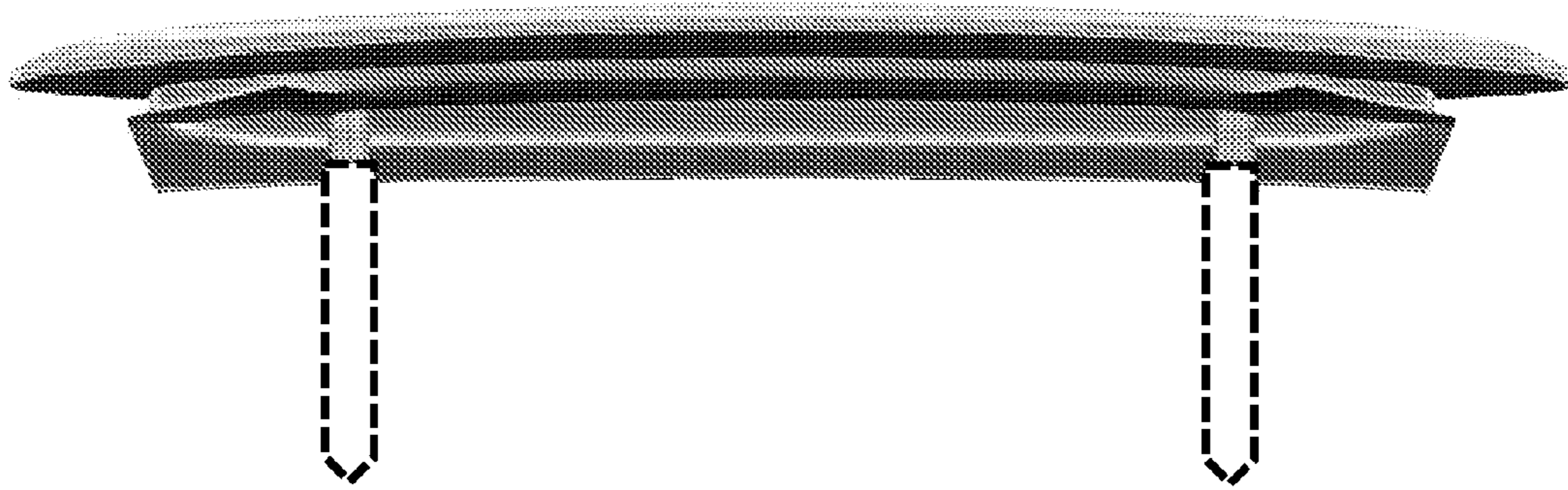


Figure 2

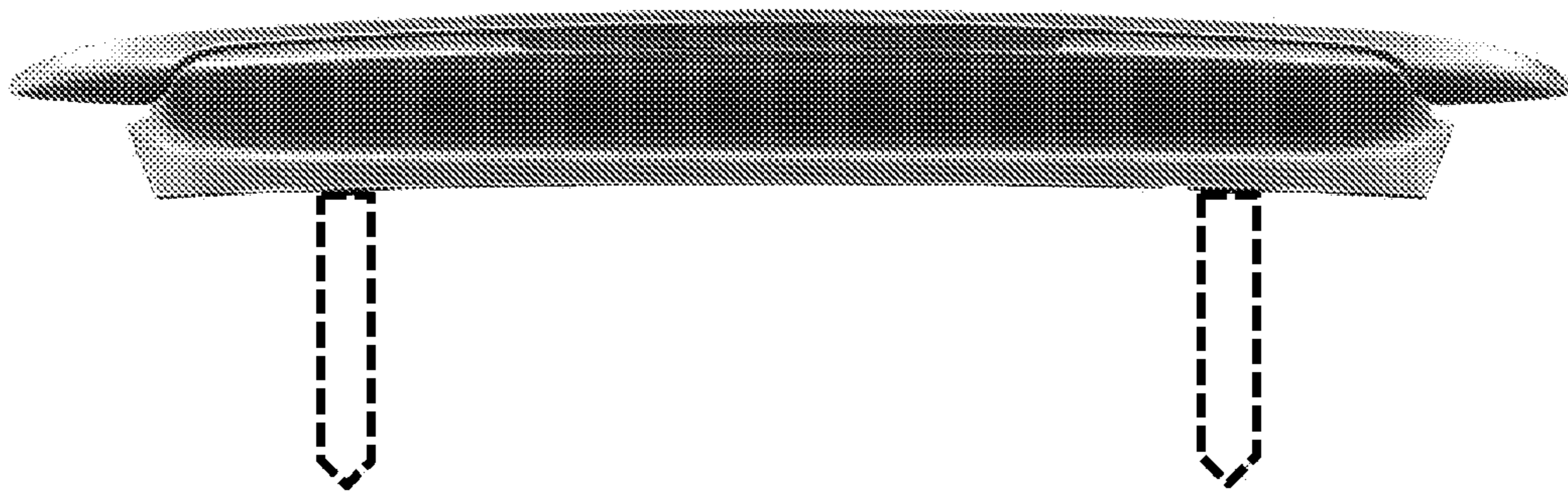


Figure 3

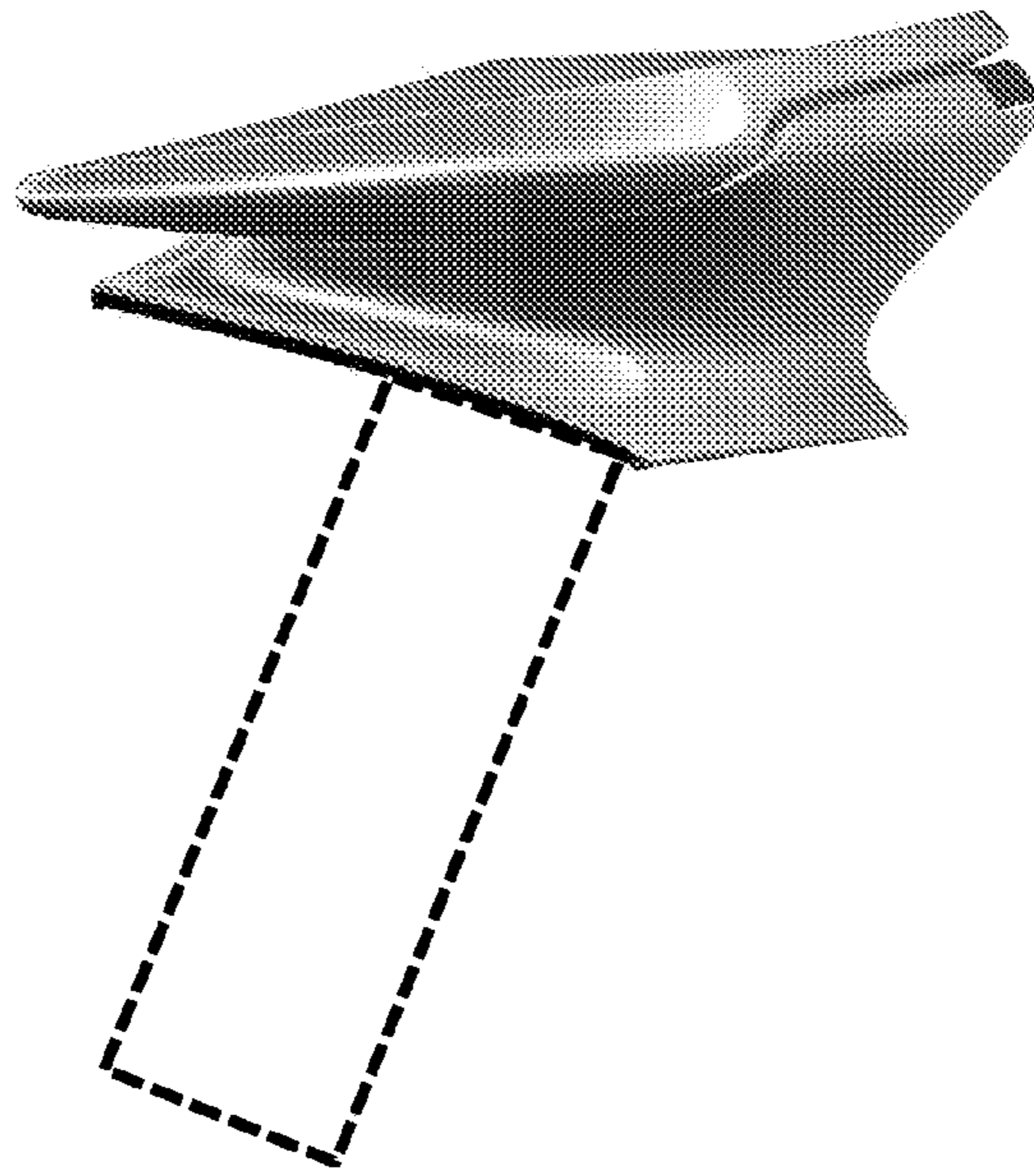


Figure 4

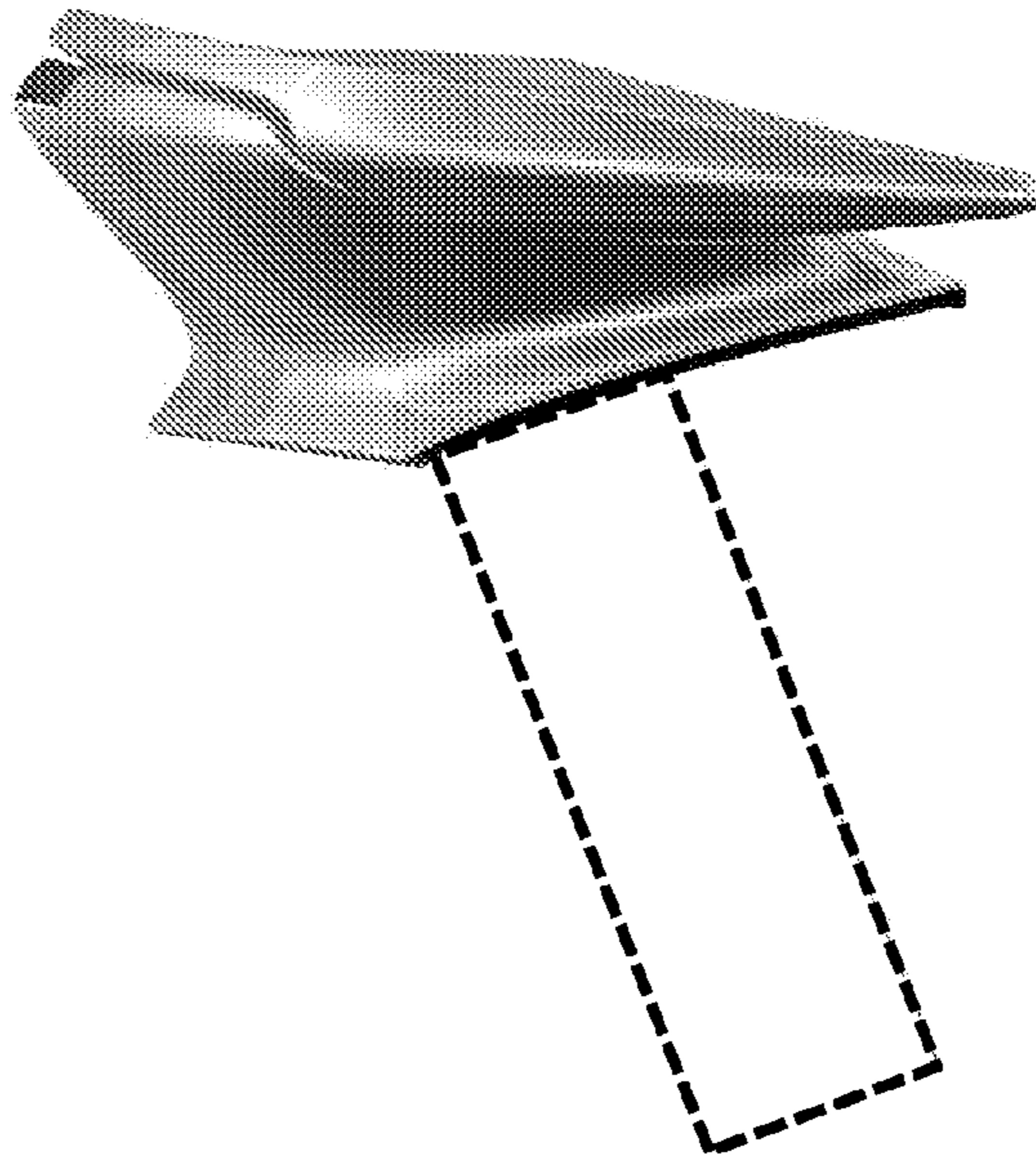


Figure 5

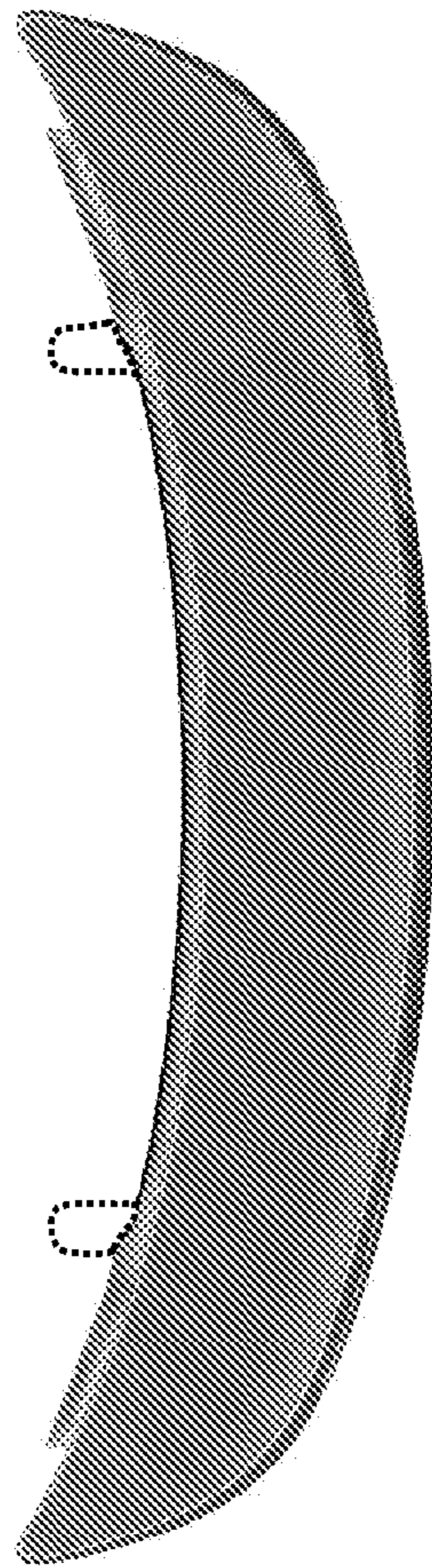


Figure 6

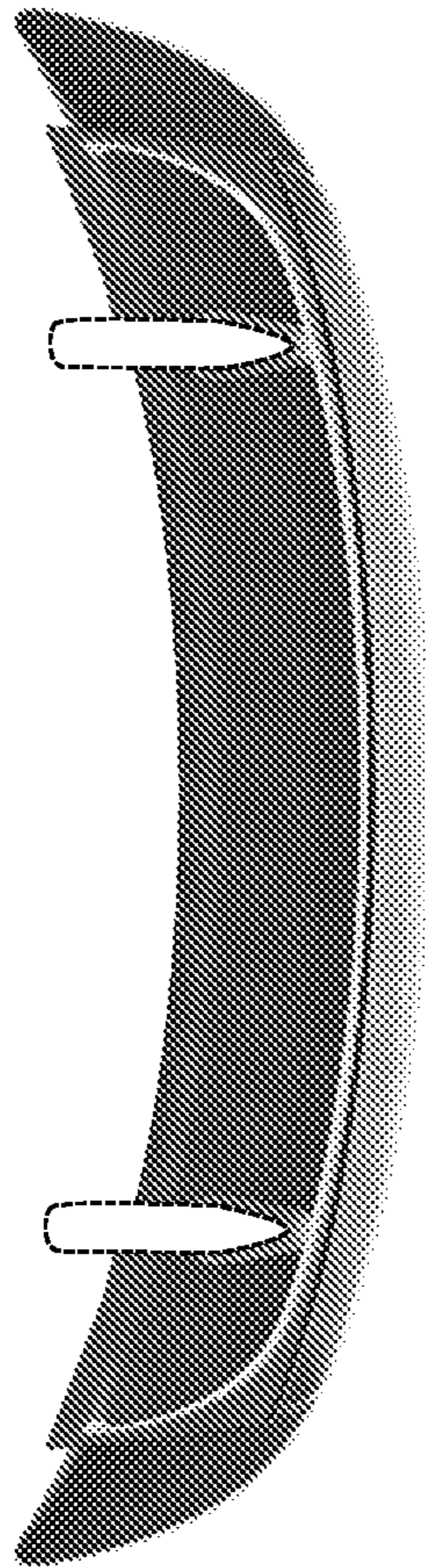


Figure 7