



US00D683668S

(12) **United States Design Patent**
Thurber

(10) **Patent No.:** **US D683,668 S**
(45) **Date of Patent:** **** Jun. 4, 2013**

(54) **VEHICLE GRILLE**

(56) **References Cited**

(75) **Inventor:** **Joshua L. Thurber**, New Baltimore, MI (US)

U.S. PATENT DOCUMENTS

(73) **Assignee:** **GM Global Technology Operations LLC**, Detroit, MI (US)

D536,284 S * 2/2007 Nakamura et al. D12/163
D558,102 S * 12/2007 Lau et al. D12/163
D580,308 S * 11/2008 Ebel et al. D12/163
D597,447 S * 8/2009 Folden D12/92
D615,458 S * 5/2010 Thompson et al. D12/92

(**) **Term:** **14 Years**

* cited by examiner

(21) **Appl. No.:** **29/413,171**

Primary Examiner — Melody Brown

(22) **Filed:** **Feb. 13, 2012**

(74) *Attorney, Agent, or Firm* — Parks IP Law LLC; Mickki D. Murray

(51) **LOC (9) Cl.** **12-16**

(57) **CLAIM**

The ornamental design for a vehicle grille, as shown and described.

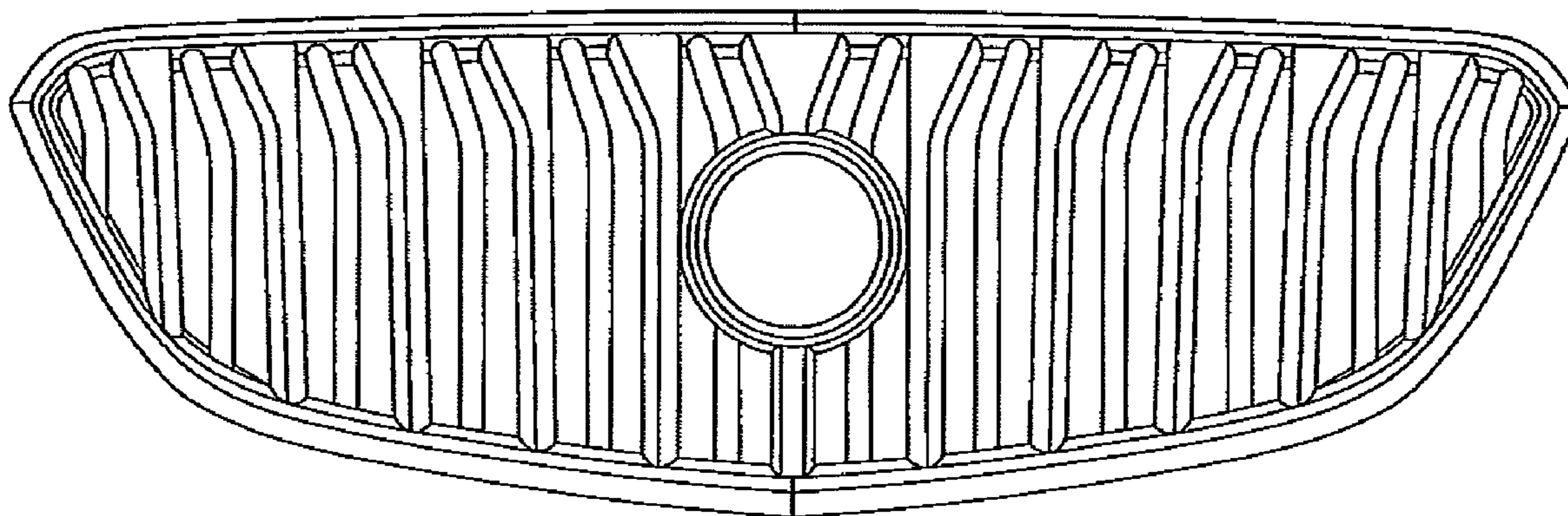
(52) **U.S. Cl.**
USPC **D12/163**

DESCRIPTION

(58) **Field of Classification Search**
USPC D12/163, 196, 171, 169, 216, 90-92,
D12/86; 180/68.1, 68.6; 296/193.11
See application file for complete search history.

FIG. 1 is a perspective view of the vehicle grille showing the new design;
FIG. 2 is a front view of the grille, thereof;
FIG. 3 is a side view of the grille, thereof; and,
FIG. 4 is a top plan view of the grille, thereof.

1 Claim, 1 Drawing Sheet



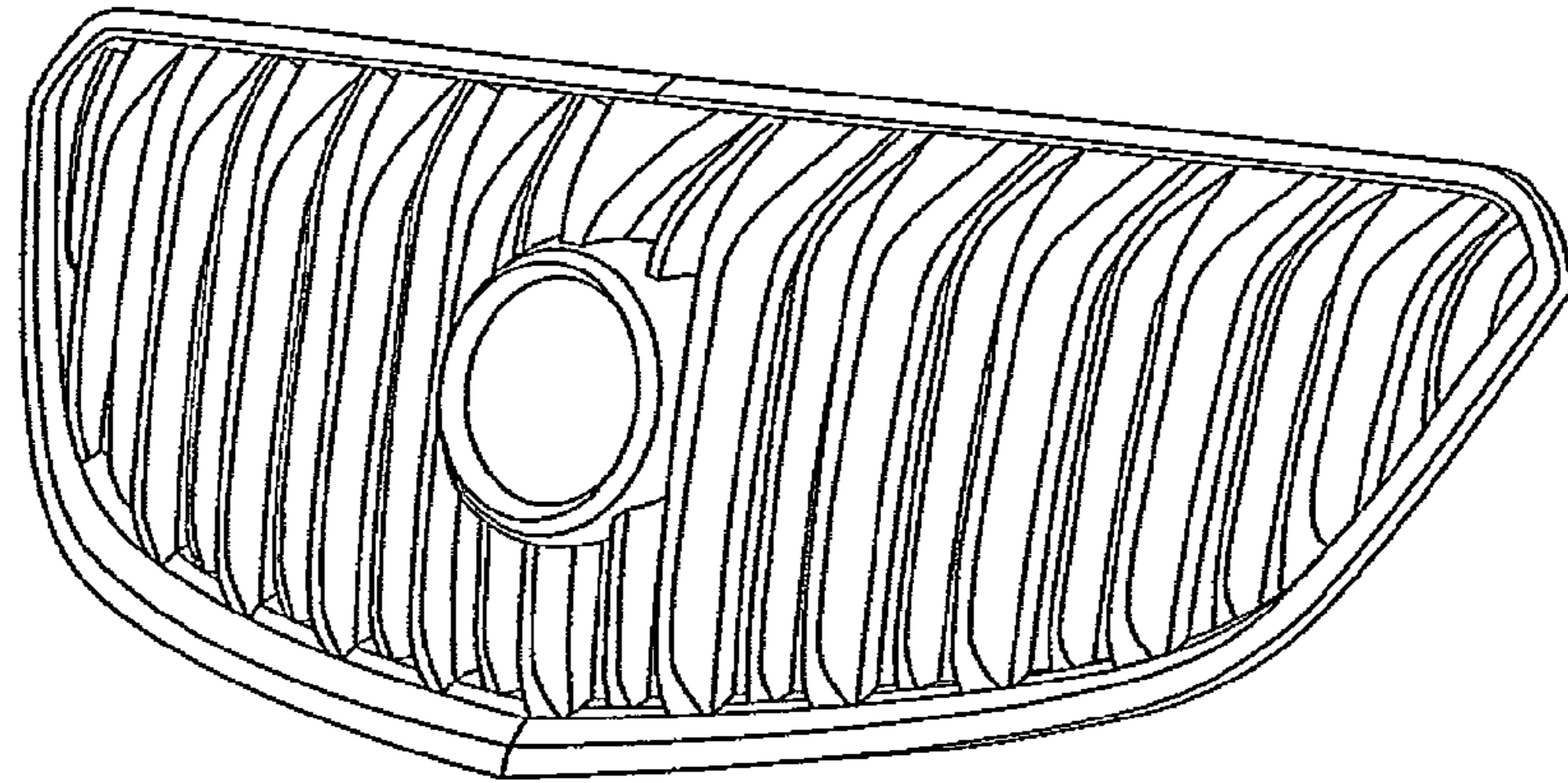


Fig-1

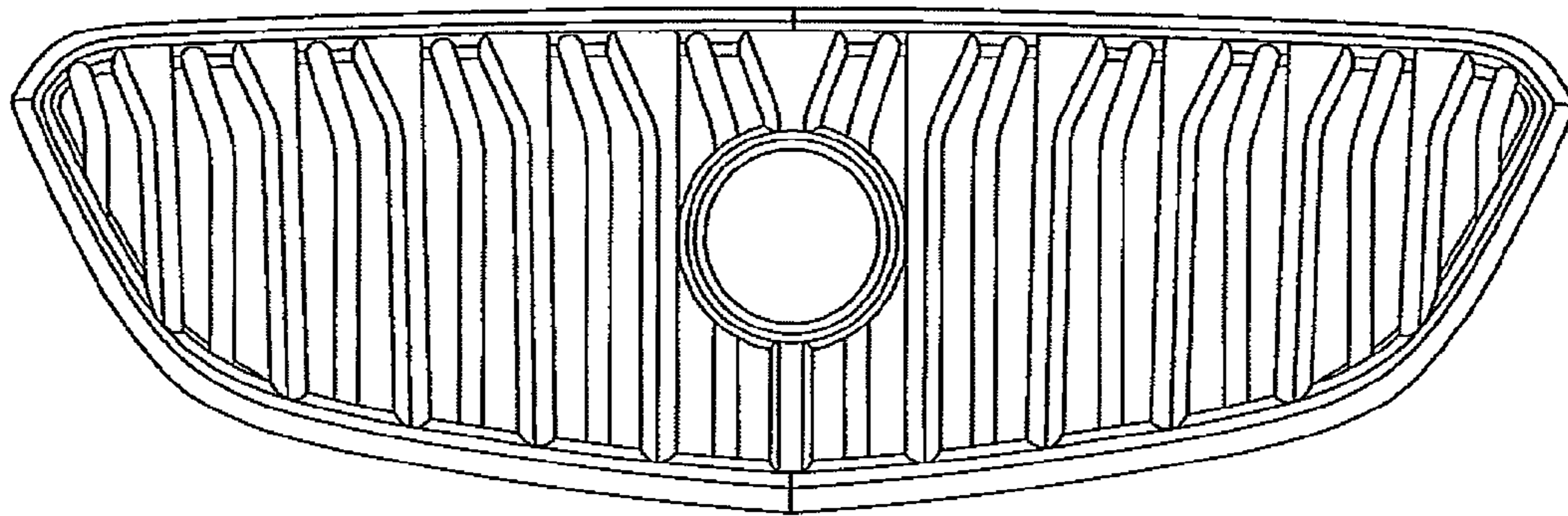


Fig-2

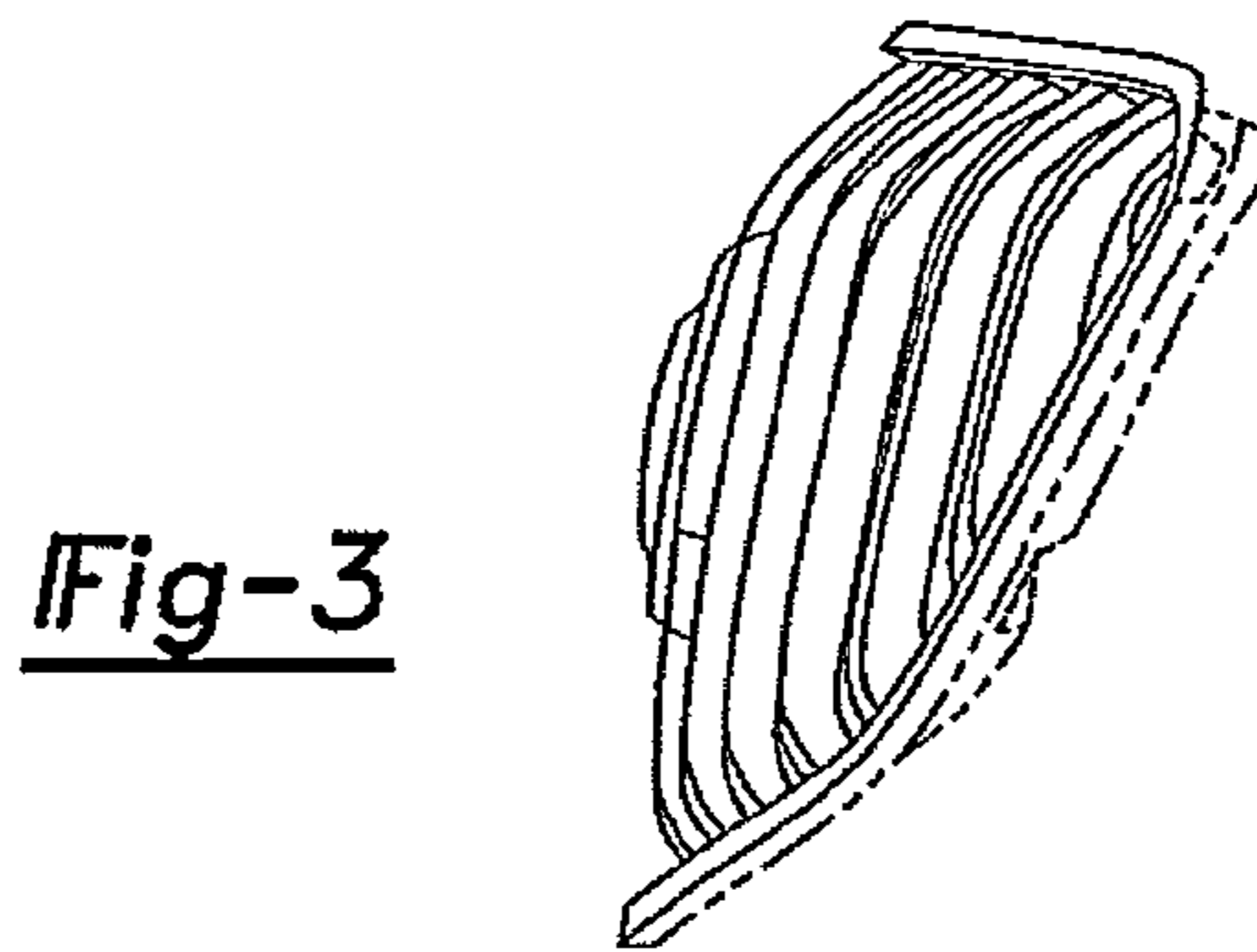


Fig-3

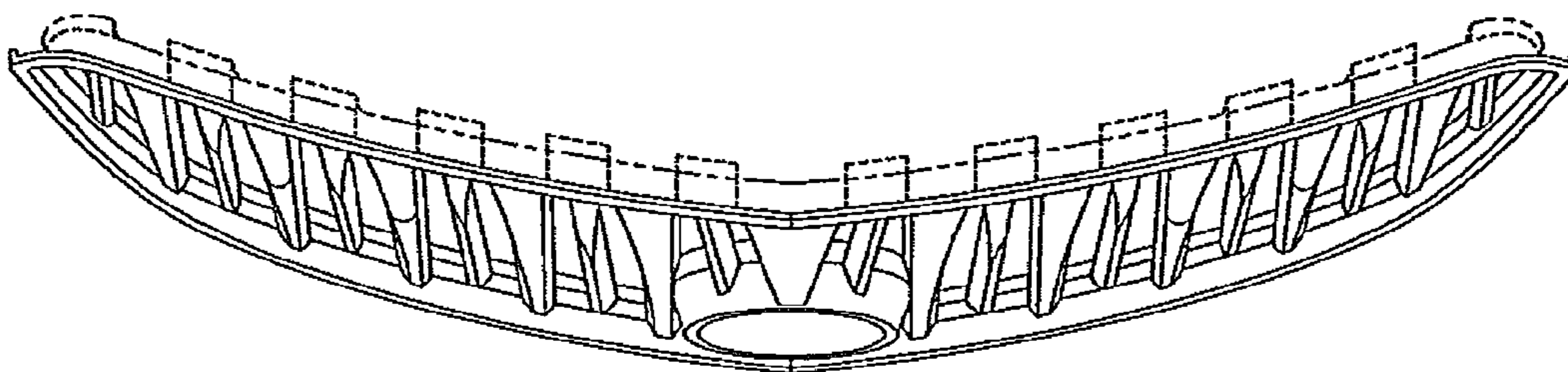


Fig-4