



US00D683666S

(12) **United States Design Patent**  
**Hemingway**

(10) **Patent No.:** **US D683,666 S**  
(45) **Date of Patent:** **\*\* Jun. 4, 2013**

(54) **MOTORCYCLE AIR CLEANER COVER**

(76) Inventor: **Phil Hemingway**, Sarasota, FL (US)

(\*\*) Term: **14 Years**

(21) Appl. No.: **29/414,586**

(22) Filed: **Feb. 29, 2012**

(51) **LOC (9) Cl.** ..... **12-11**

(52) **U.S. Cl.**

USPC ..... **D12/126**

(58) **Field of Classification Search**

USPC ..... D12/126, 110, 114; D15/1-5; 180/219,  
180/220; 280/288.4, 304.3; 123/195 C, 198 E,  
123/54.4, 56.1, 58.1, 542, 195 AC, 195 A,  
123/195 R; 55/337

See application file for complete search history.

(56) **References Cited**

**U.S. PATENT DOCUMENTS**

D294,264	S *	2/1988	Davidson et al.	.....	D15/3
4,846,860	A *	7/1989	Yu	.....	55/337
6,152,097	A *	11/2000	Sputhe	.....	123/195 R
6,382,169	B1 *	5/2002	Gausman	.....	123/195 R
D467,940	S *	12/2002	Kinsey et al.	.....	D15/5
6,758,299	B2 *	7/2004	Ito	.....	180/291
7,096,846	B1 *	8/2006	Dondlinger et al.	.....	123/196 R
7,134,407	B1 *	11/2006	Nelson	.....	123/54.4
D567,256	S *	4/2008	Hu	.....	D15/1
D600,599	S *	9/2009	Watanabe et al.	.....	D12/126

**OTHER PUBLICATIONS**

2009 J & P Cycles Parts & Accessories for your Harley-Davidson® Motorcycle, Twin Velocity™ Plus air cleaner on p. 447.\*

\* cited by examiner

*Primary Examiner* — Susan M Lee

*Assistant Examiner* — Linda G Brooks

(74) *Attorney, Agent, or Firm* — Adli Law Group P.C.

(57) **CLAIM**

The ornamental design for a motorcycle air cleaner cover, as shown and described.

**DESCRIPTION**

FIG. 1 is a side perspective view of my new design for a motorcycle air cleaner cover shown in position of use on a motorcycle;

FIG. 2 is an enlarged perspective view of my new motorcycle air cleaner cover;

FIG. 3 is an enlarged front elevational view thereof;

FIG. 4 is an enlarged rear elevational view thereof;

FIG. 5 is an enlarged left side elevational view thereof;

FIG. 6 is an enlarged right side elevational view thereof;

FIG. 7 is an enlarged top plan view thereof; and,

FIG. 8 is an enlarged bottom view thereof.

The broken lines showing the motorcycle in FIG. 1 and shapes in FIG. 4, are included for the purpose of illustrating environment and unclaimed structure respectively and form no part of the claimed design.

**1 Claim, 7 Drawing Sheets**

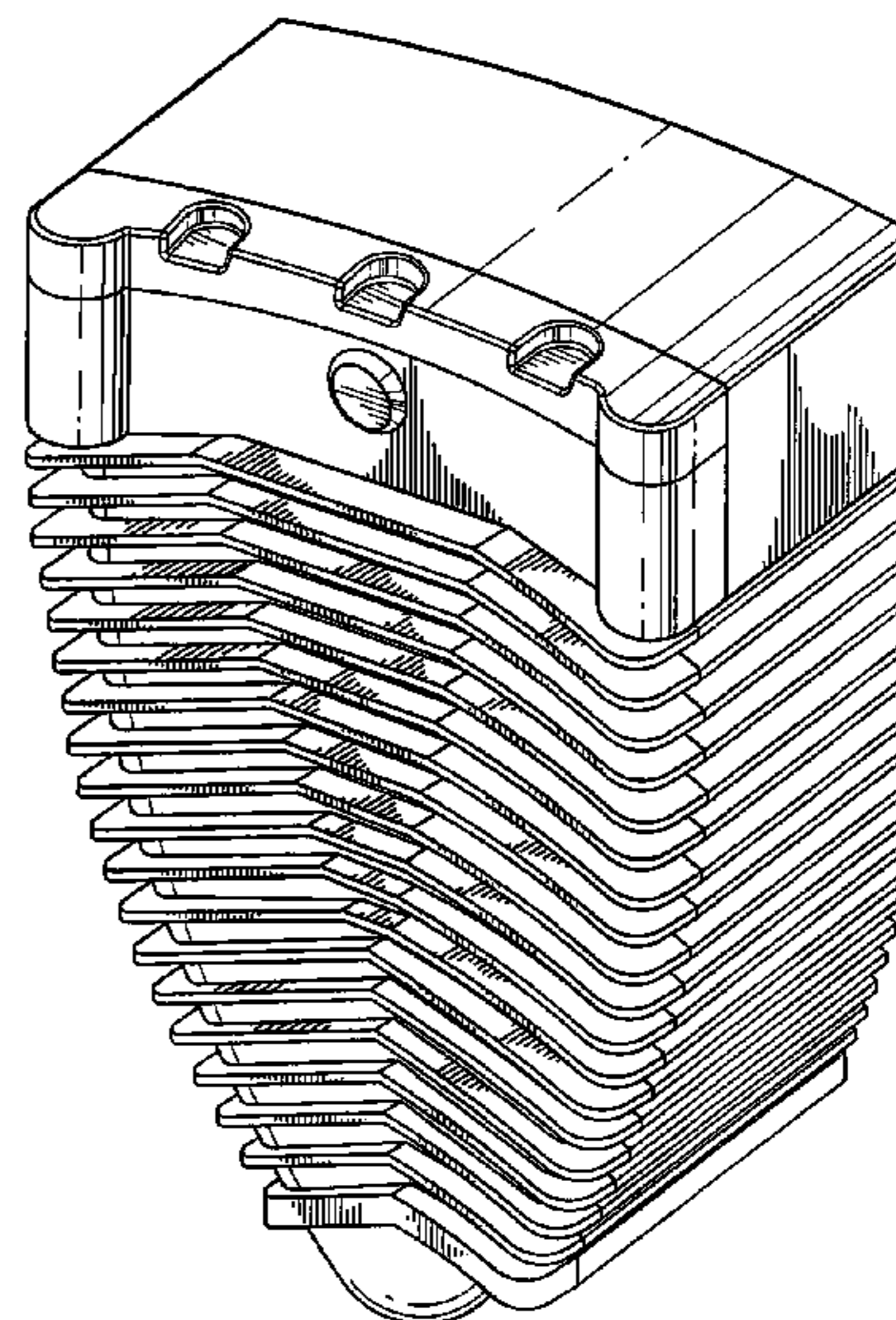
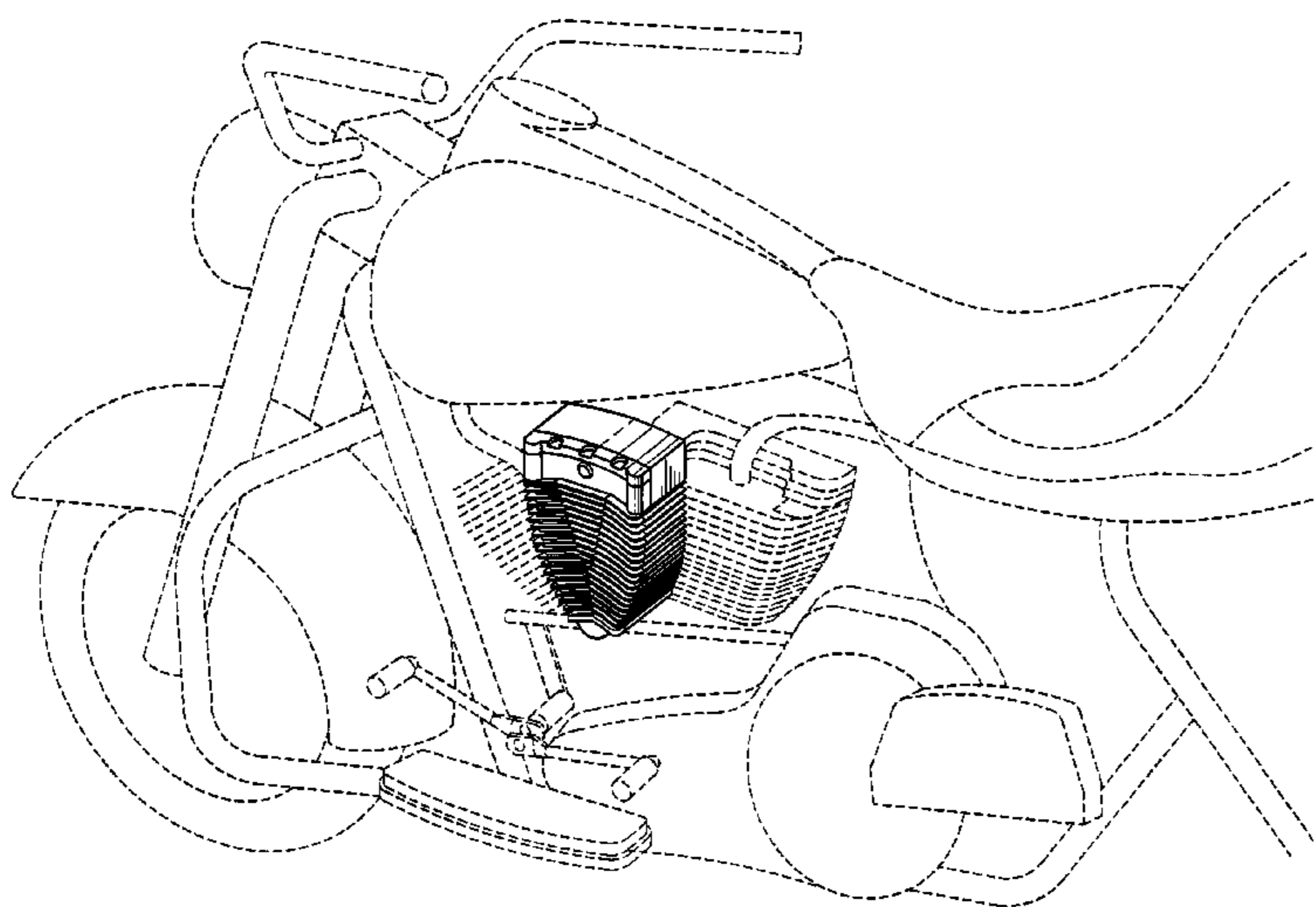


FIG. 1

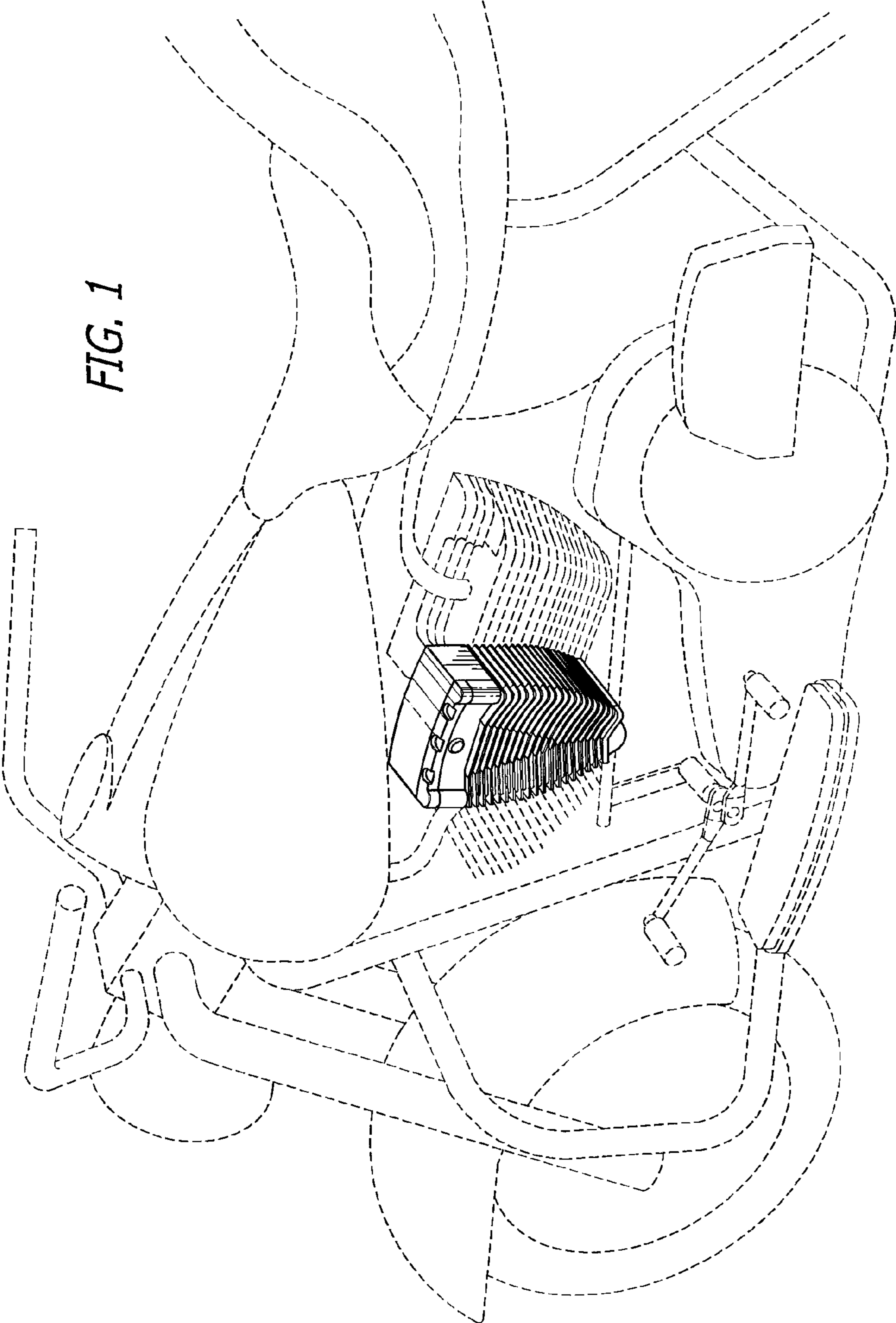
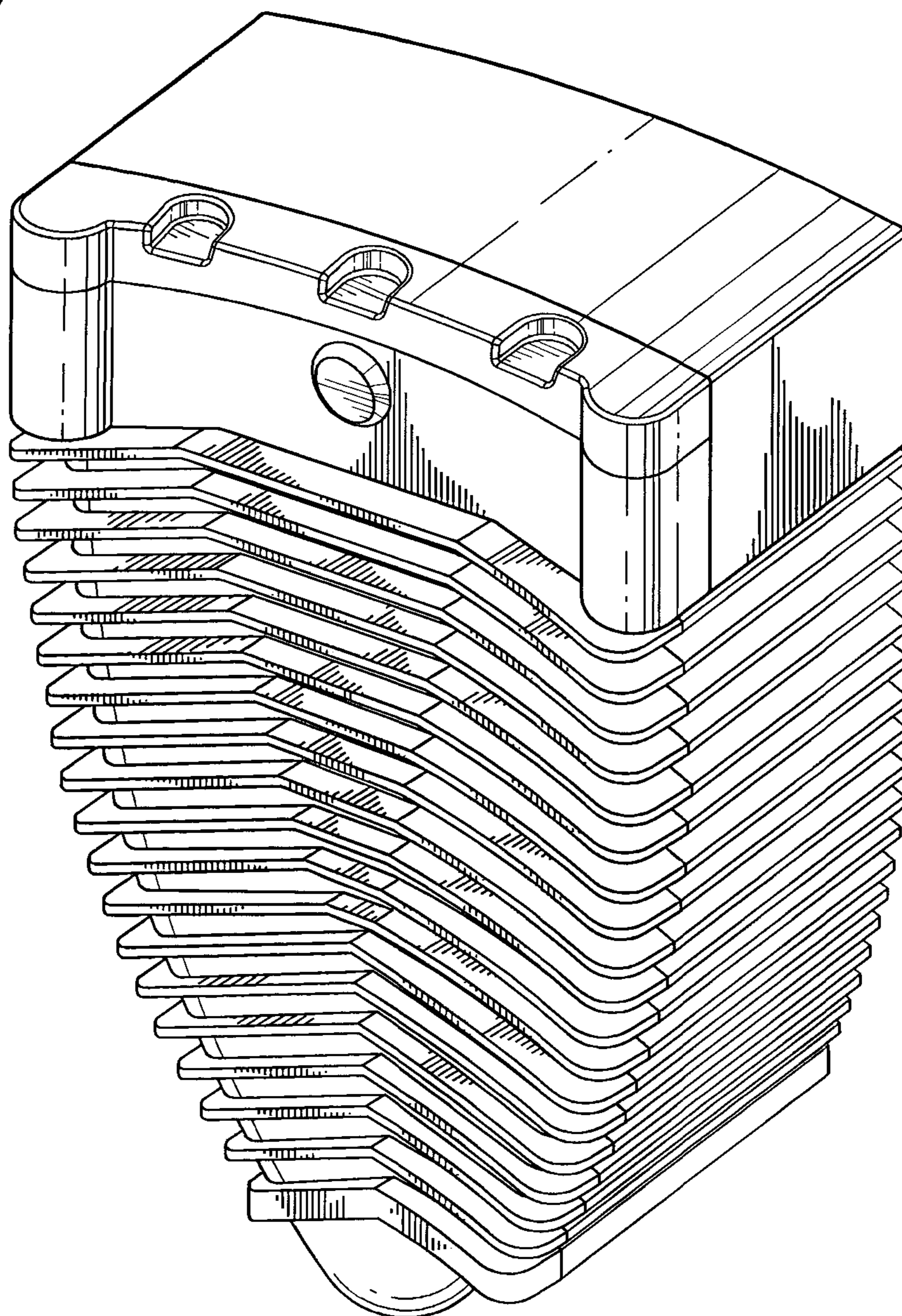
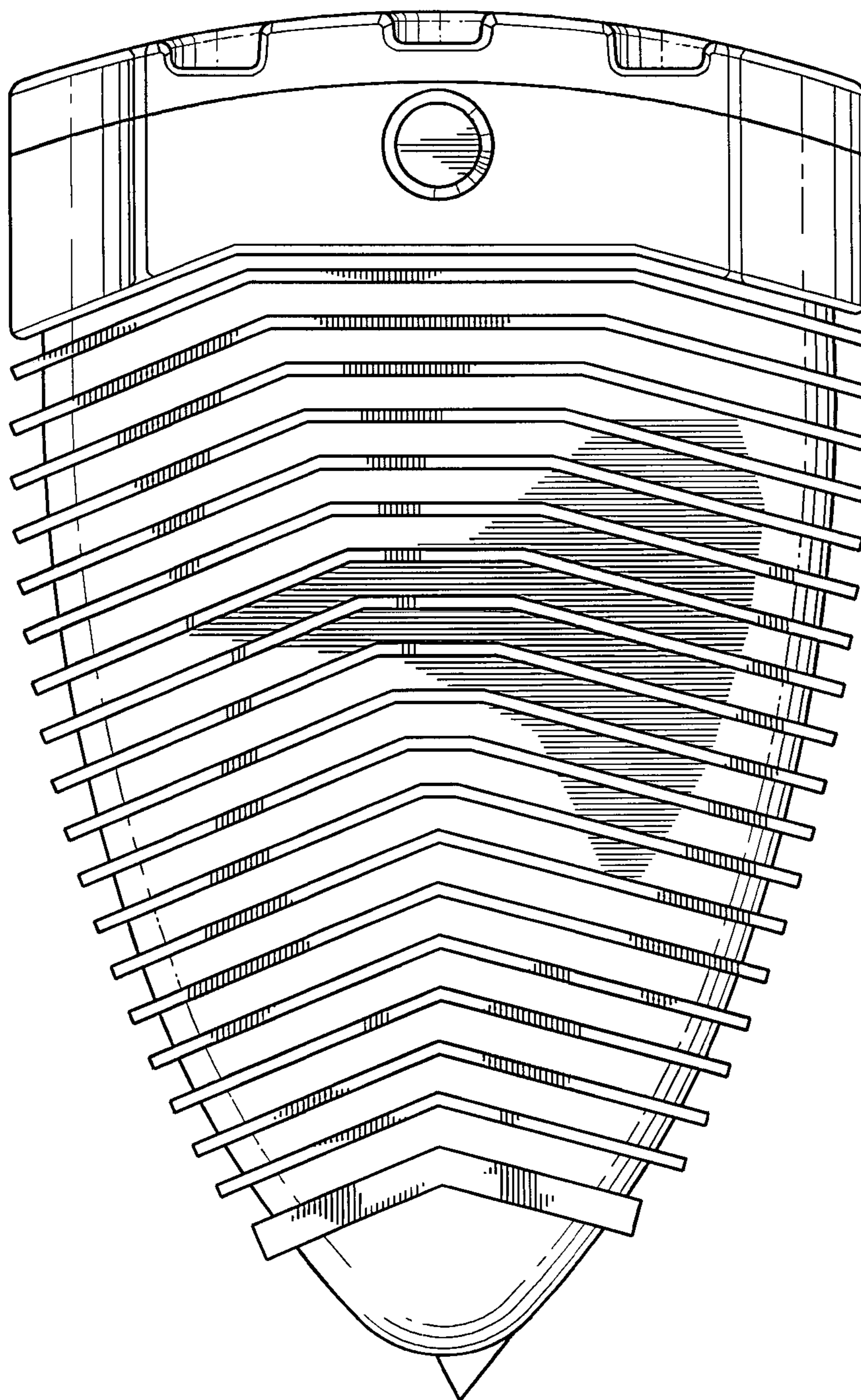


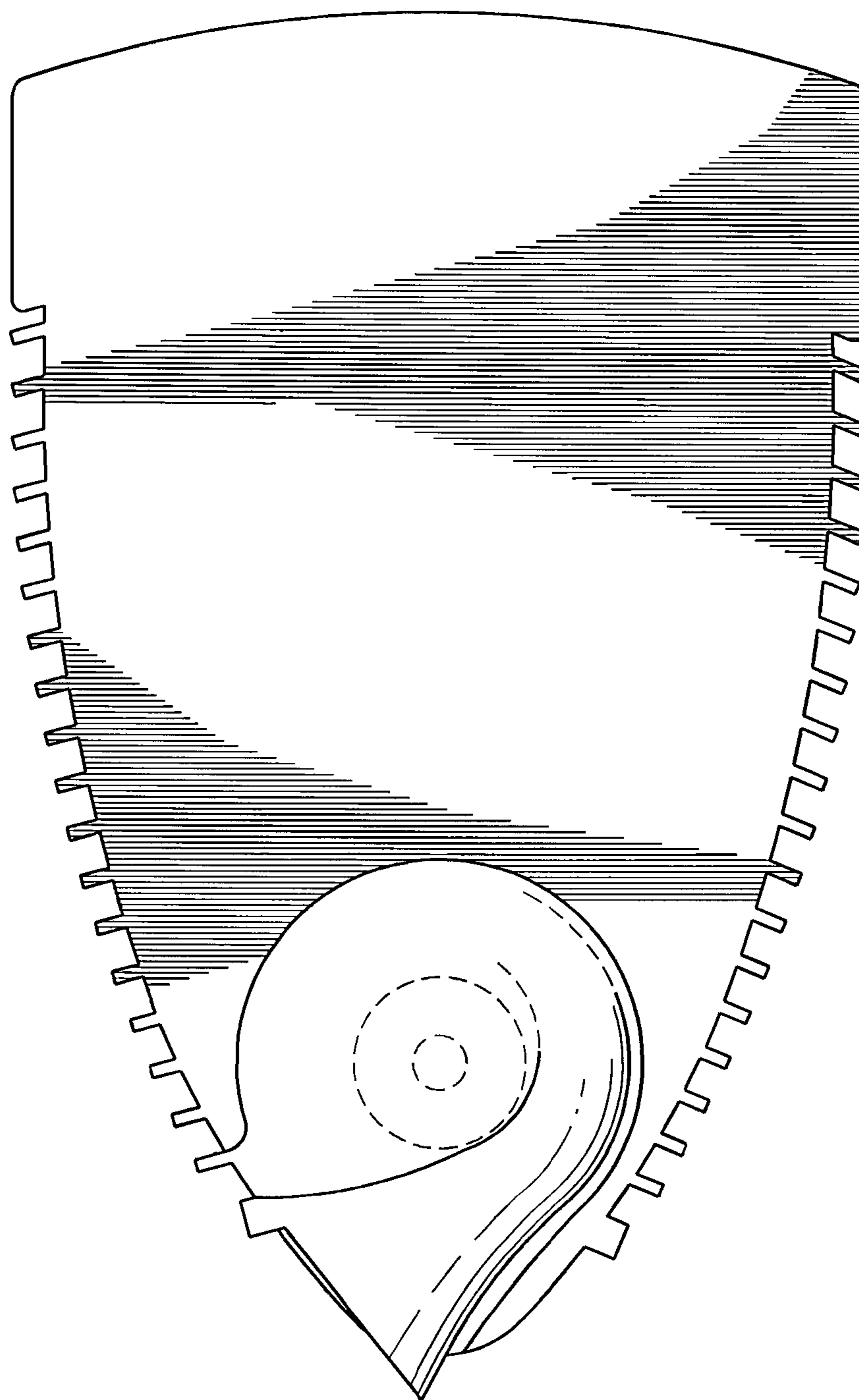
FIG. 2



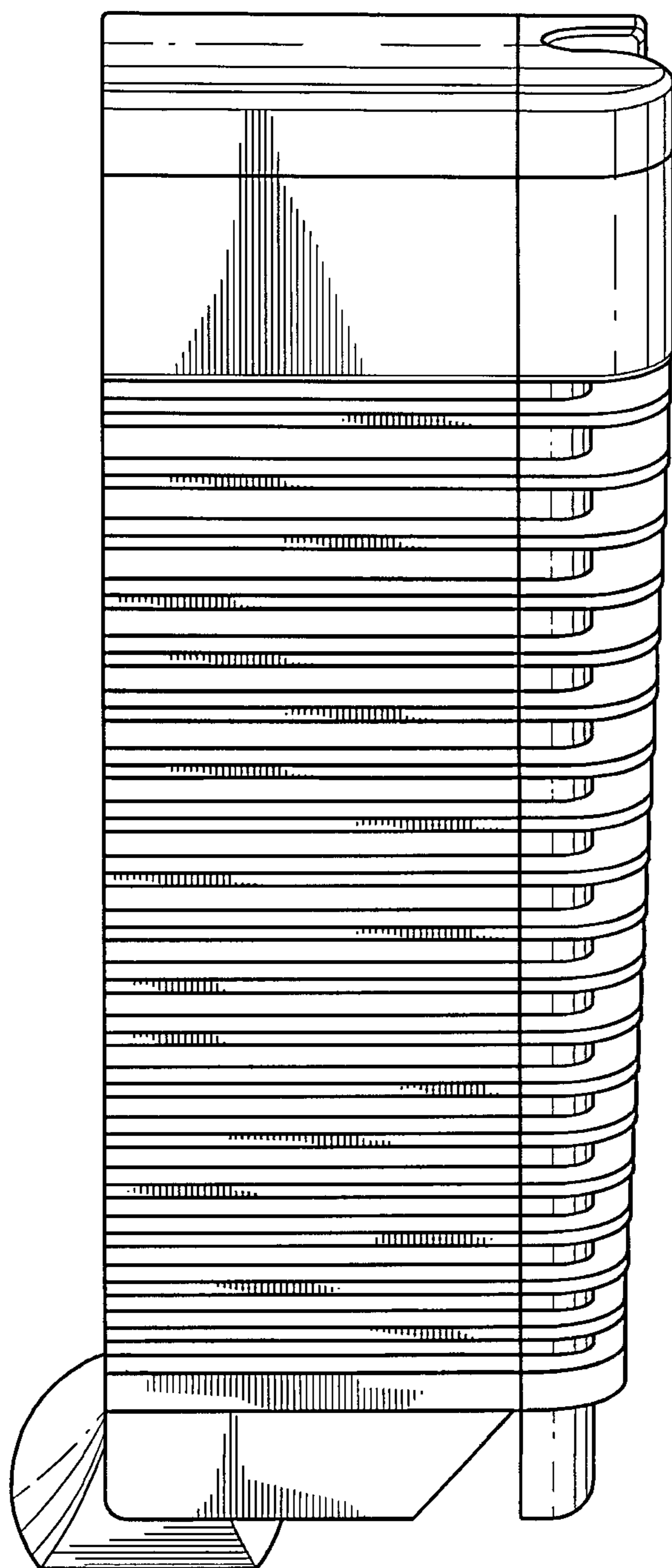
*FIG. 3*



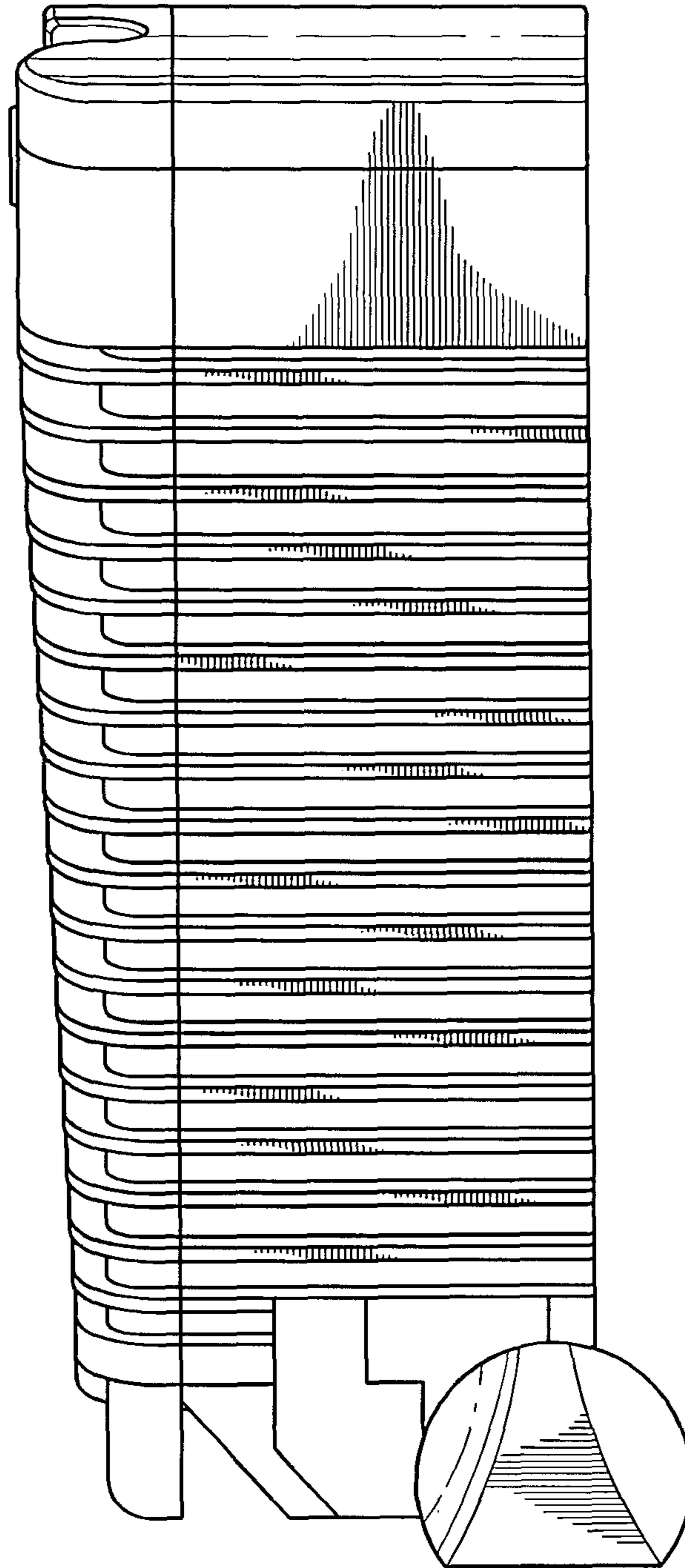
*FIG. 4*



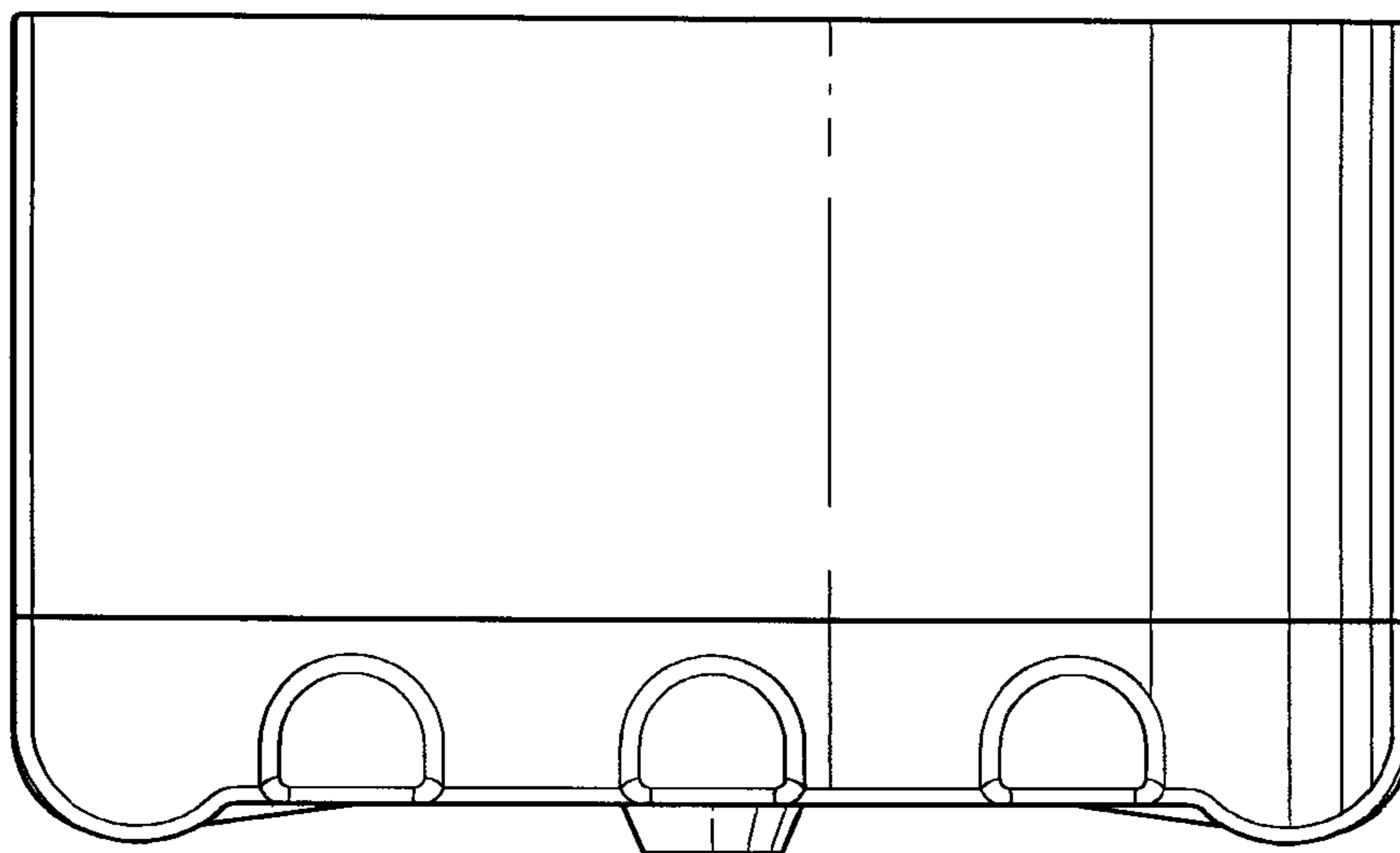
*FIG. 5*



*FIG. 6*



*FIG. 7*



*FIG. 8*

