



US00D683664S

(12) **United States Design Patent**  
**Eder**

(10) **Patent No.:** **US D683,664 S**  
(45) **Date of Patent:** **\*\* Jun. 4, 2013**

- (54) **TRIPLE TREE**
- (76) **Inventor:** **Chris Eder, McKinney, TX (US)**
- (\*\*) **Term:** **14 Years**
- (21) **Appl. No.:** **29/429,199**
- (22) **Filed:** **Aug. 8, 2012**
- (51) **LOC (9) Cl.** ..... **12-11**
- (52) **U.S. Cl.**  
USPC ..... **D12/118**
- (58) **Field of Classification Search**  
USPC ..... D12/118, 110, 111; 180/219, 220;  
280/274-280, 281.1  
See application file for complete search history.

- D599,715 S \* 9/2009 Salcedo ..... D12/118
- D615,002 S \* 5/2010 Norman ..... D12/118
- D652,355 S \* 1/2012 Parvey ..... D12/118

\* cited by examiner

*Primary Examiner* — Susan M Lee  
*Assistant Examiner* — Linda G Brooks  
(74) *Attorney, Agent, or Firm* — Clement Cheng

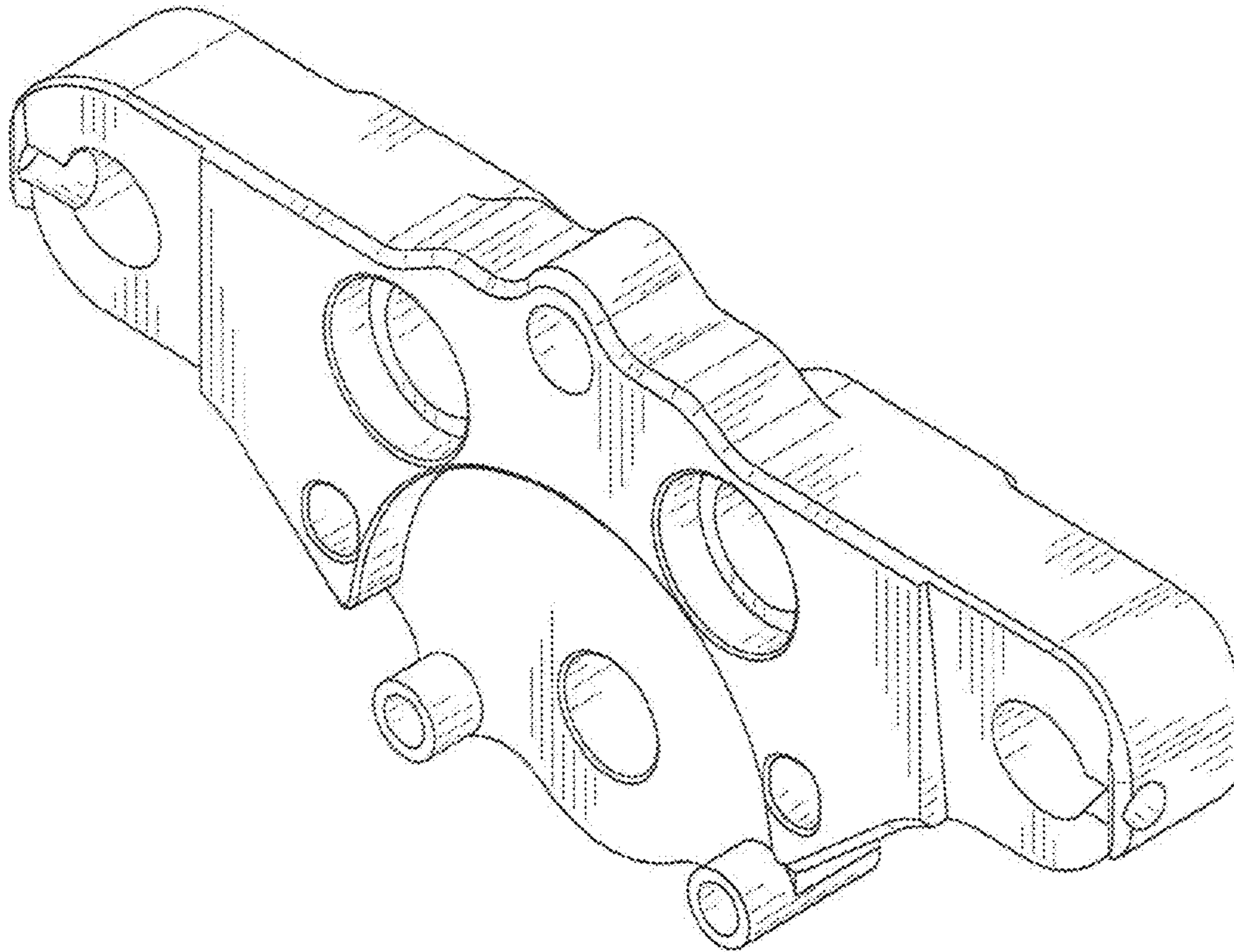
(57) **CLAIM**  
The ornamental design for a triple tree, as shown and described.

**DESCRIPTION**

FIG. 1 is a perspective view.  
FIG. 2 is a front view.  
FIG. 3 is a rear view.  
FIG. 4 is a left side view.  
FIG. 5 is a right side view.  
FIG. 6 is a top view; and,  
FIG. 7 is a bottom view.  
The features shown in broken lines form no part of the claimed design.

**1 Claim, 3 Drawing Sheets**

- (56) **References Cited**  
**U.S. PATENT DOCUMENTS**  
5,967,538 A \* 10/1999 Callaluca et al. .... 280/279  
6,520,524 B1 \* 2/2003 Costa ..... 280/276  
6,547,269 B2 \* 4/2003 Lane ..... 280/280  
6,976,691 B1 \* 12/2005 Song et al. .... 280/279  
D544,818 S \* 6/2007 Costa ..... D12/118  
7,357,403 B2 \* 4/2008 Vincenzo F. .... 280/276



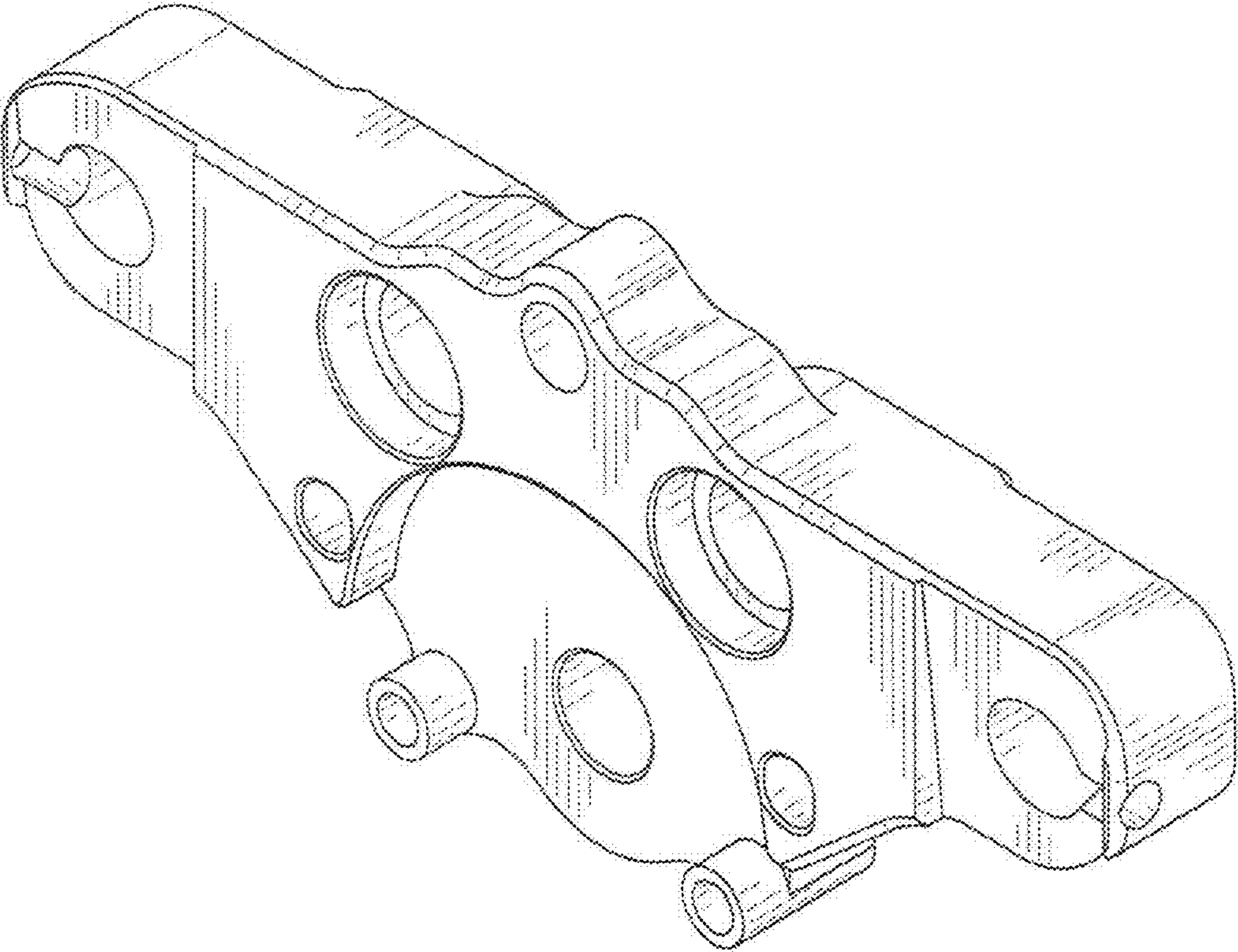


FIG. 1

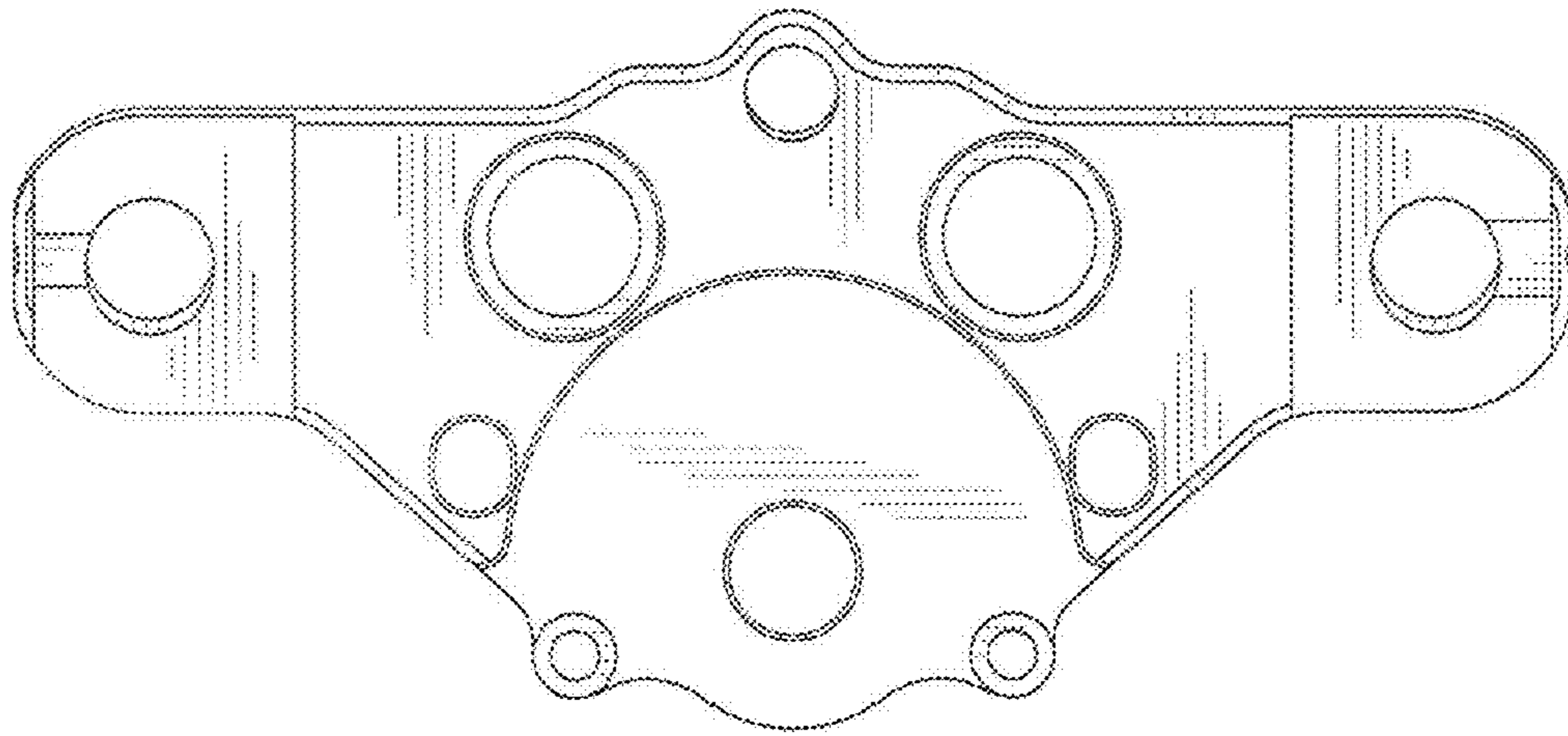


FIG. 2

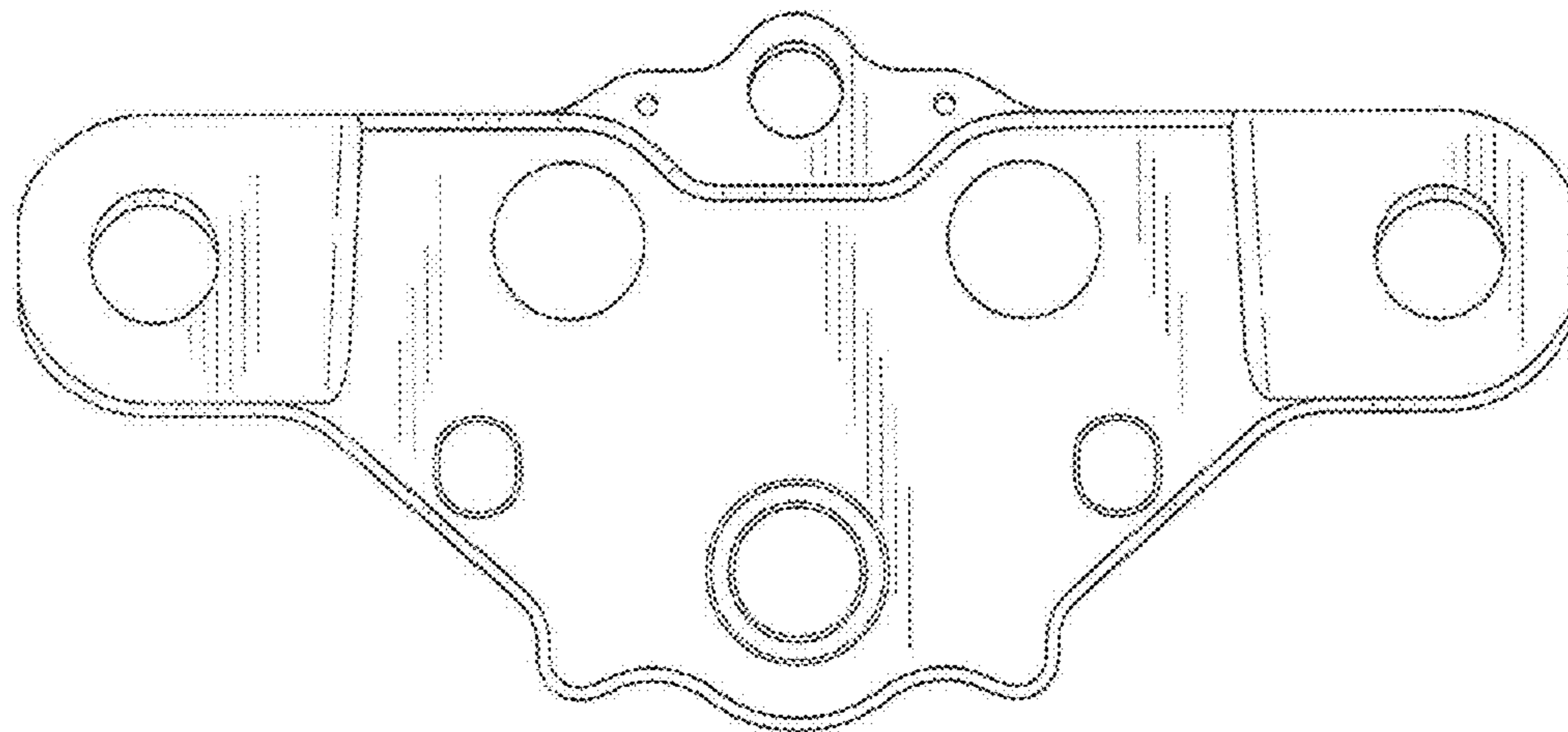


FIG. 3



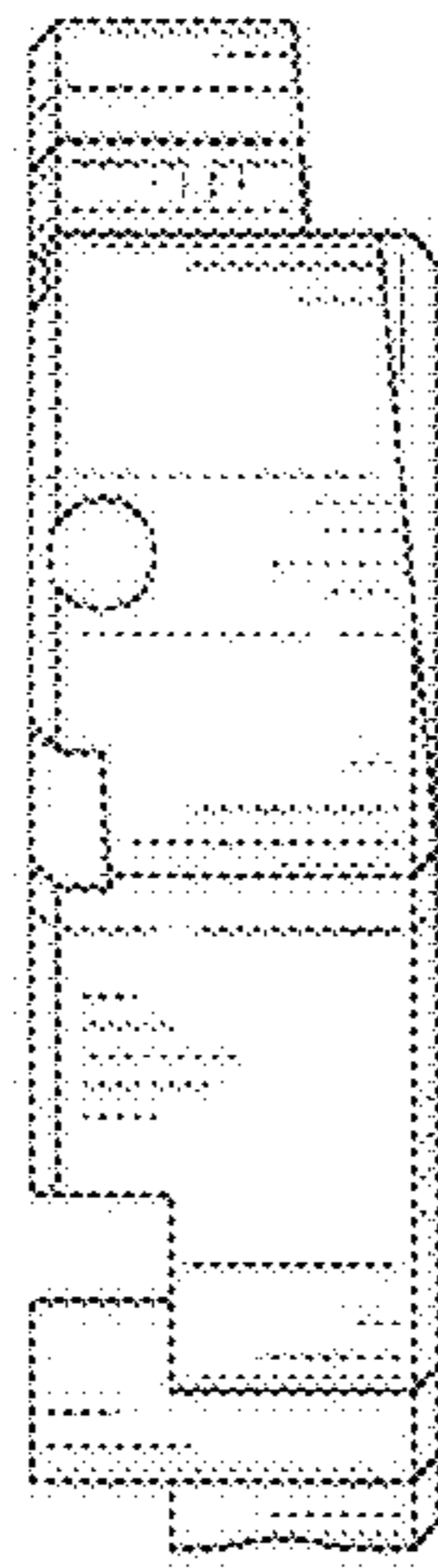


FIG. 4

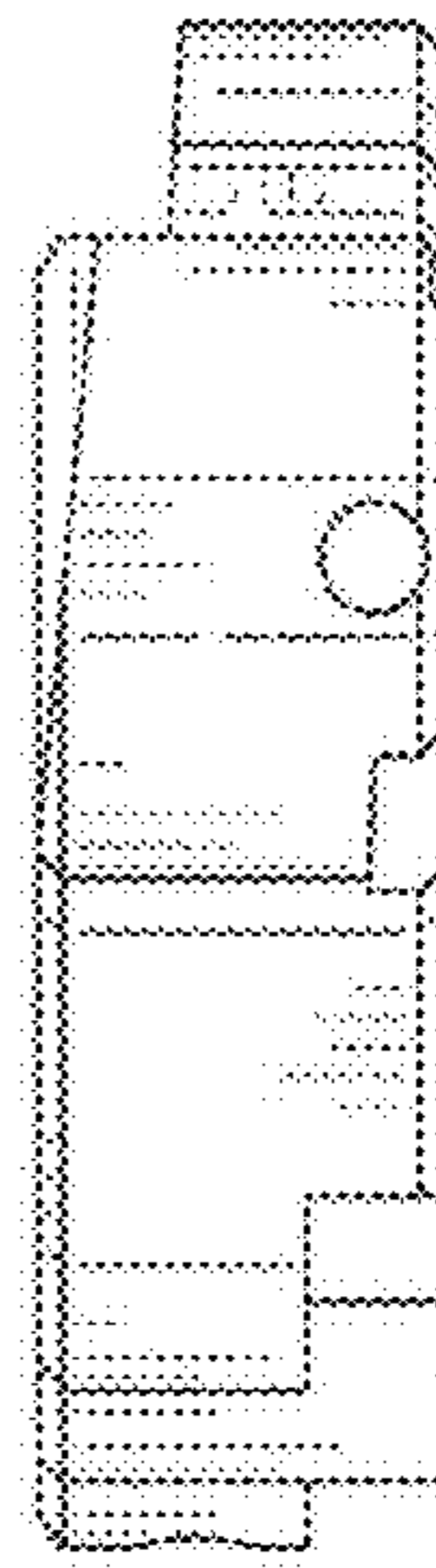


FIG. 5

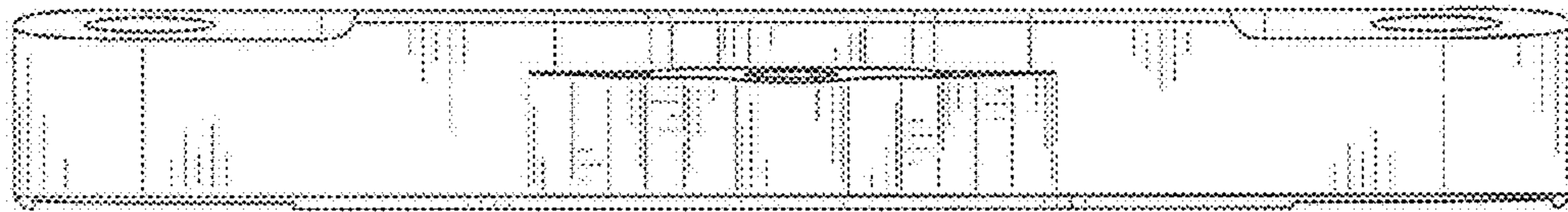


FIG. 6

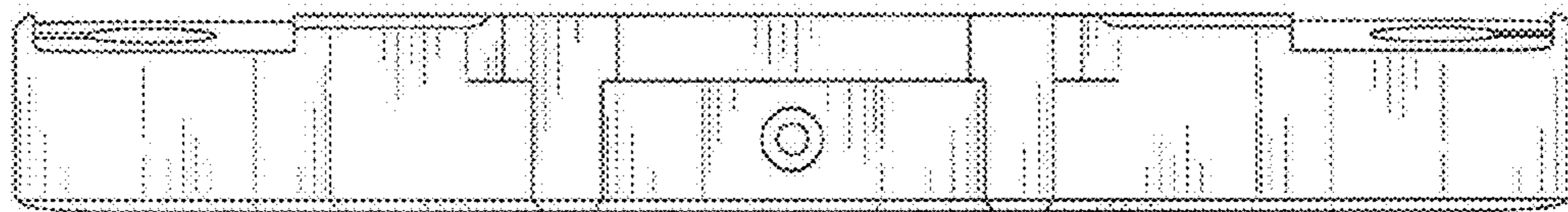


FIG. 7