



US00D683663S

(12) **United States Design Patent**  
**Foley**

(10) **Patent No.:** **US D683,663 S**  
(45) **Date of Patent:** **\*\* Jun. 4, 2013**

(54) **BIKE SHIM**

(76) Inventor: **Michael Foley**, Simi Valley, CA (US)

(\*\*) Term: **14 Years**

(21) Appl. No.: **29/412,176**

(22) Filed: **Jan. 31, 2012**

(51) **LOC (9) Cl.** ..... **12-11**

(52) **U.S. Cl.**  
USPC ..... **D12/114**

(58) **Field of Classification Search**  
USPC ..... D12/114, 174, 178, 179, 111; 280/288.4,  
280/264; 74/551.8; D8/349, 350, 354, 366;  
248/247, 248, 300, 309.1, 312, 312.1  
See application file for complete search history.

(56) **References Cited**

**U.S. PATENT DOCUMENTS**

D30,113 S \* 1/1899 Phelps ..... D8/350  
D392,609 S \* 3/1998 Pingel et al. .... D12/179  
D422,253 S \* 4/2000 Boykin ..... D12/180  
D430,074 S \* 8/2000 Bulger ..... D12/114

D601,062 S \* 9/2009 Garland ..... D12/114  
D608,251 S \* 1/2010 Dill ..... D12/114  
2012/0304801 A1\* 12/2012 L'Ecuyer ..... 74/523

\* cited by examiner

*Primary Examiner* — Susan M Lee

*Assistant Examiner* — Linda G Brooks

(74) *Attorney, Agent, or Firm* — Richard S. Erbe

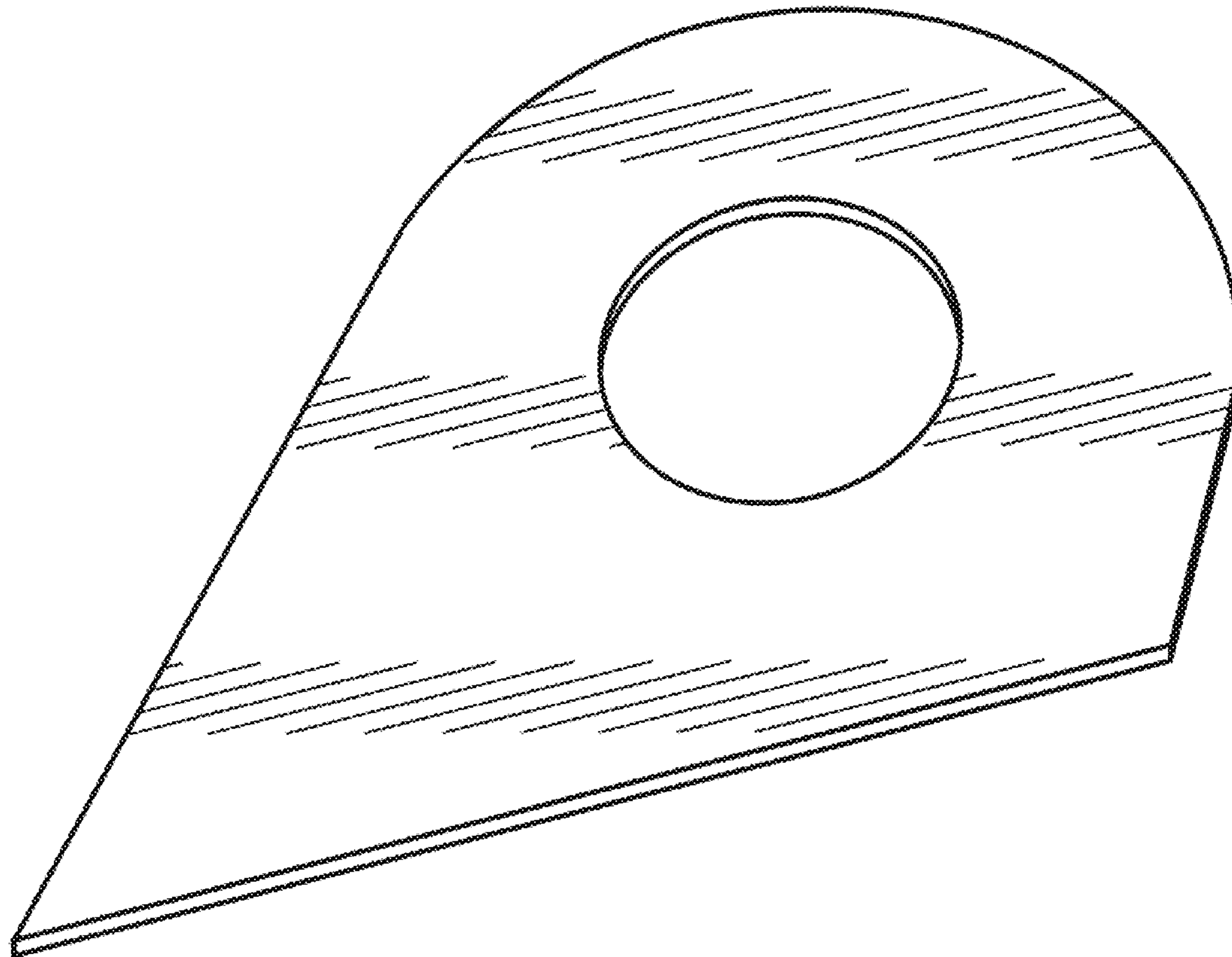
(57) **CLAIM**

The ornamental design for a bike shim, as shown and described.

**DESCRIPTION**

FIG. 1 is a perspective view of a bike shim showing my new design;  
FIG. 2 is a front elevational view of the bike shim of FIG. 1;  
FIG. 3 is a rear elevational view of the bike shim of FIG. 1;  
FIG. 4 is a left side elevational view of the bike shim of FIG. 1;  
FIG. 5 is a right side elevational view of the bike shim of FIG. 1;  
FIG. 6 is a top plan view of the bike shim of FIG. 1; and,  
FIG. 7 is a bottom plan view of the bike shim of FIG. 1.

**1 Claim, 1 Drawing Sheet**



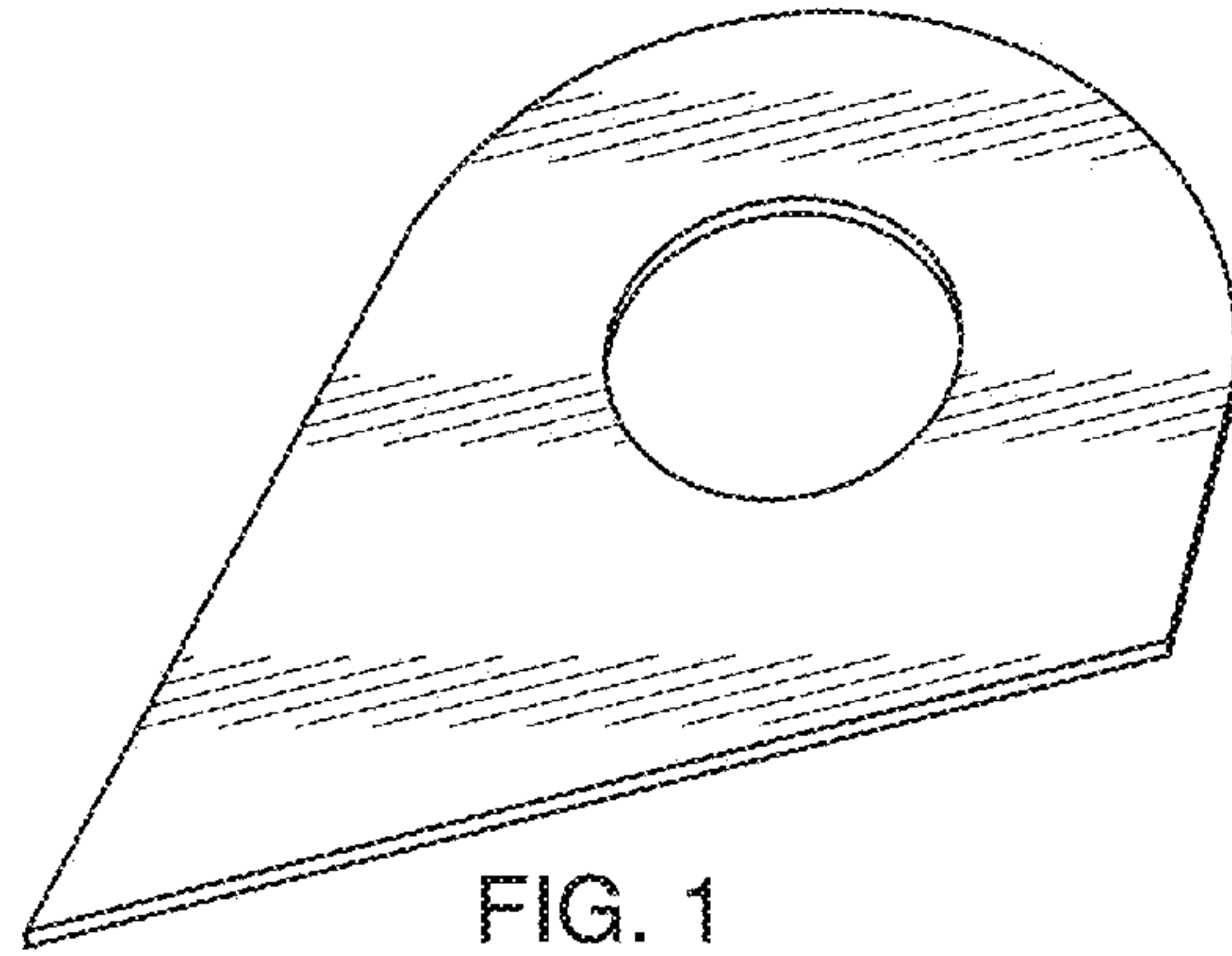


FIG. 1

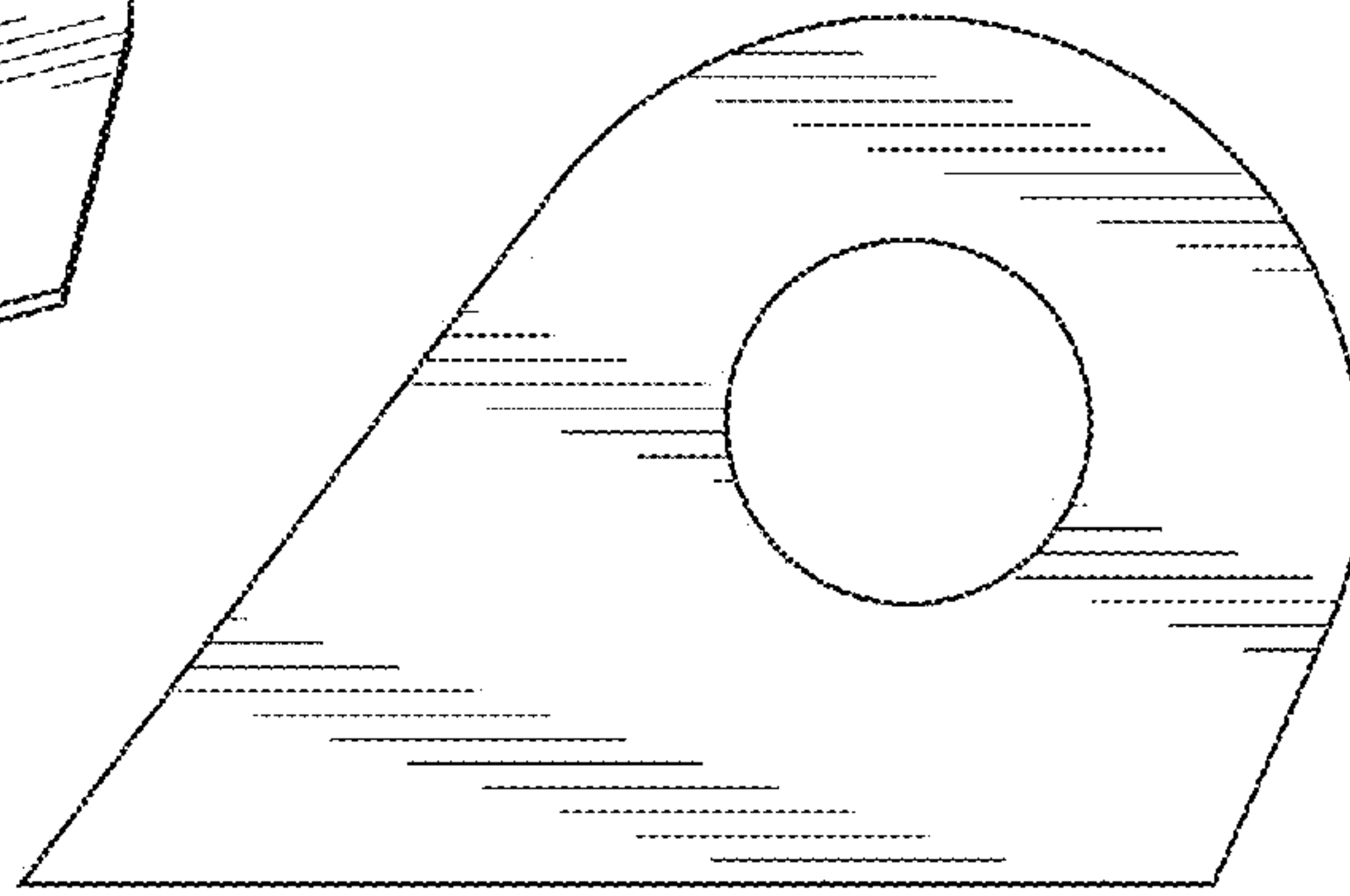


FIG. 2

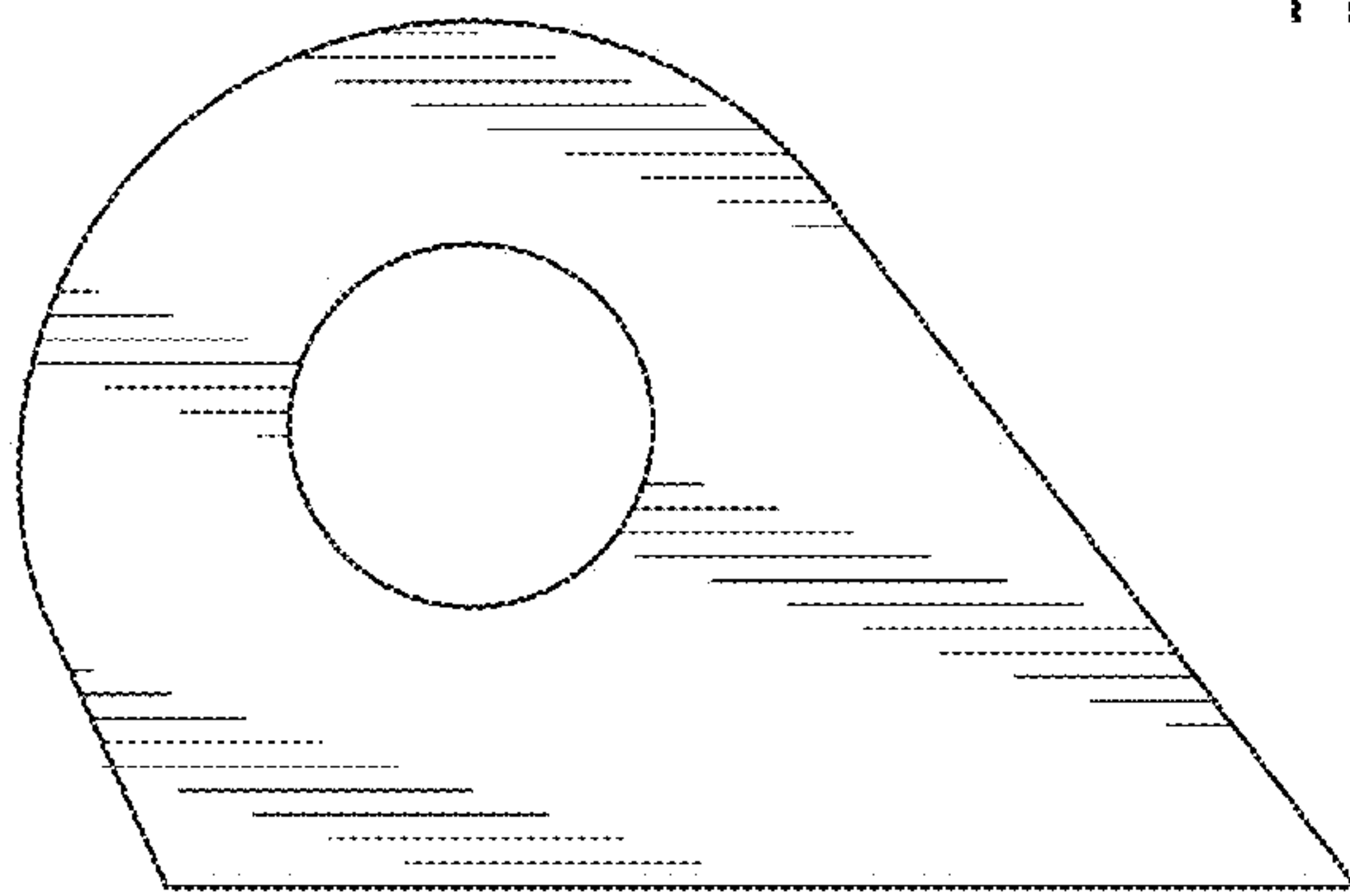


FIG. 3

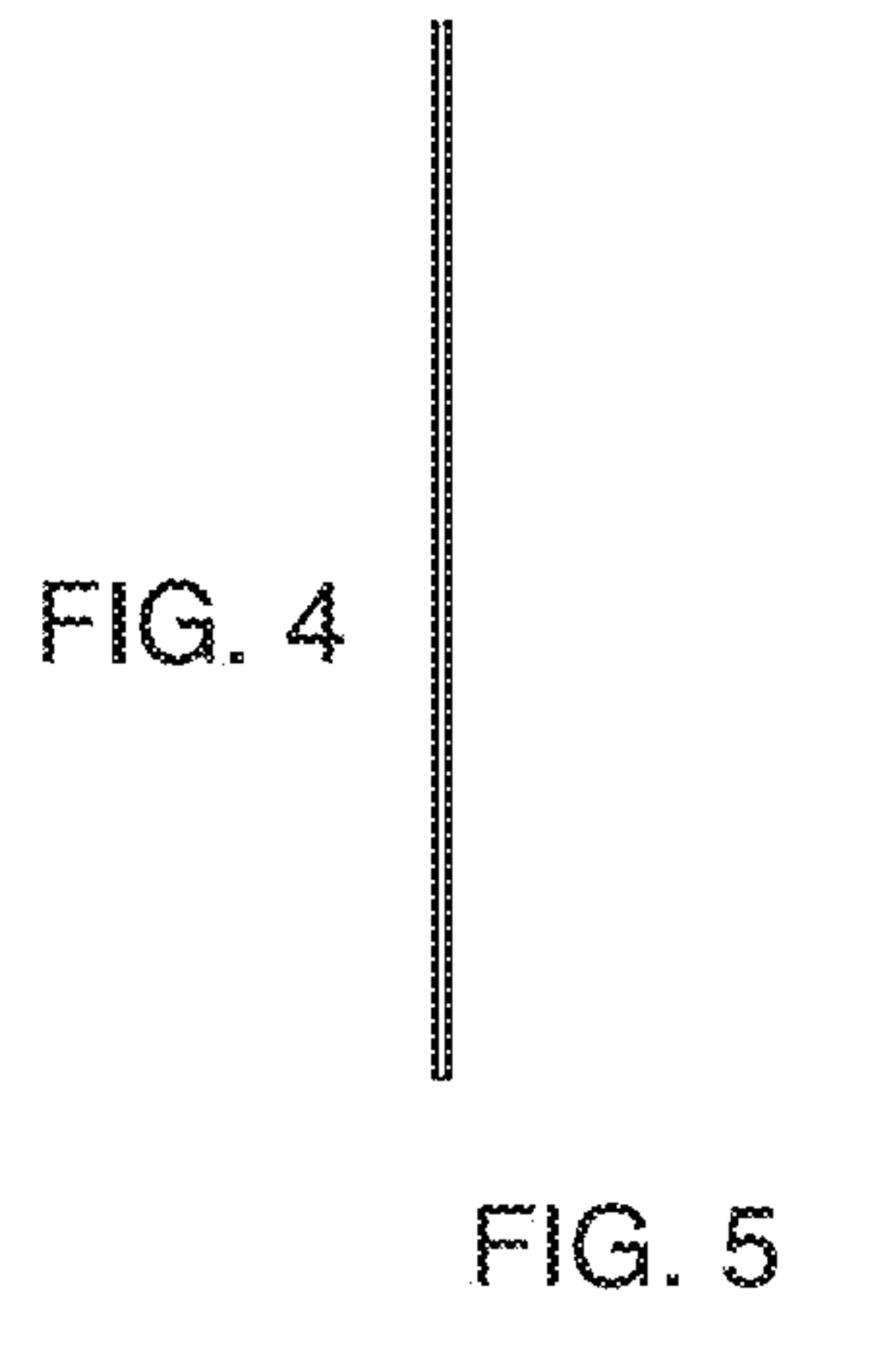


FIG. 4

FIG. 5



FIG. 6



FIG. 7