



US00D683662S

(12) **United States Design Patent**
Vloemans

(10) **Patent No.:** **US D683,662 S**
(45) **Date of Patent:** **** Jun. 4, 2013**

(54) **QUICK RELEASE DEVICE**

(75) Inventor: **Eric Vloemans, Olen (BE)**

(73) Assignee: **Race Productions, Naamloze
Vennootschap, Paal (BE)**

(**) Term: **14 Years**

(21) Appl. No.: **29/400,028**

(22) Filed: **Aug. 23, 2011**

(30) **Foreign Application Priority Data**

Feb. 24, 2011 (EP) 001825837-0001

(51) **LOC (9) Cl.** **12-11**

(52) **U.S. Cl.**
USPC **D12/114**

(58) **Field of Classification Search**
USPC D12/179, 111, 114, 123, 124; 301/124.2,
301/111.03; 403/322.4, DIG. 4; 280/278,
280/287; 70/233; 29/267; D8/16, 31, 105;
81/119, DIG. 7

See application file for complete search history.

(56) **References Cited**

U.S. PATENT DOCUMENTS

D292,549 S * 11/1987 Rixen D8/14
5,003,656 A * 4/1991 Loppnow 7/169
5,099,726 A * 3/1992 Hsiao 81/459
5,443,471 A * 8/1995 Swajger 606/99
5,544,379 A * 8/1996 Chen 7/138

5,588,169 A * 12/1996 Chuang 7/138
5,613,387 A * 3/1997 Shieh 70/233
5,655,242 A * 8/1997 Chuang 7/138
5,996,180 A * 12/1999 Eisenzopf 16/406
D436,514 S * 1/2001 Rivera D8/105
6,336,385 B1 * 1/2002 Wang 81/177.4
D467,777 S * 12/2002 Van Horn et al. D8/27
6,622,329 B2 * 9/2003 Ostor et al. 7/138
6,679,142 B1 * 1/2004 Lin 81/437
D515,392 S * 2/2006 Xingguo D8/105
7,082,636 B1 * 8/2006 Rinard et al. 7/138
D555,546 S * 11/2007 Hanamura D12/114
7,520,692 B2 * 4/2009 Hsu 403/349
2006/0127167 A1 * 6/2006 Hsieh 403/109.5
2011/0173759 A1 * 7/2011 Taiga 7/118

* cited by examiner

Primary Examiner — Philip S Hyder

Assistant Examiner — John T Applewhite

(74) *Attorney, Agent, or Firm* — Bacon & Thomas, PLLC

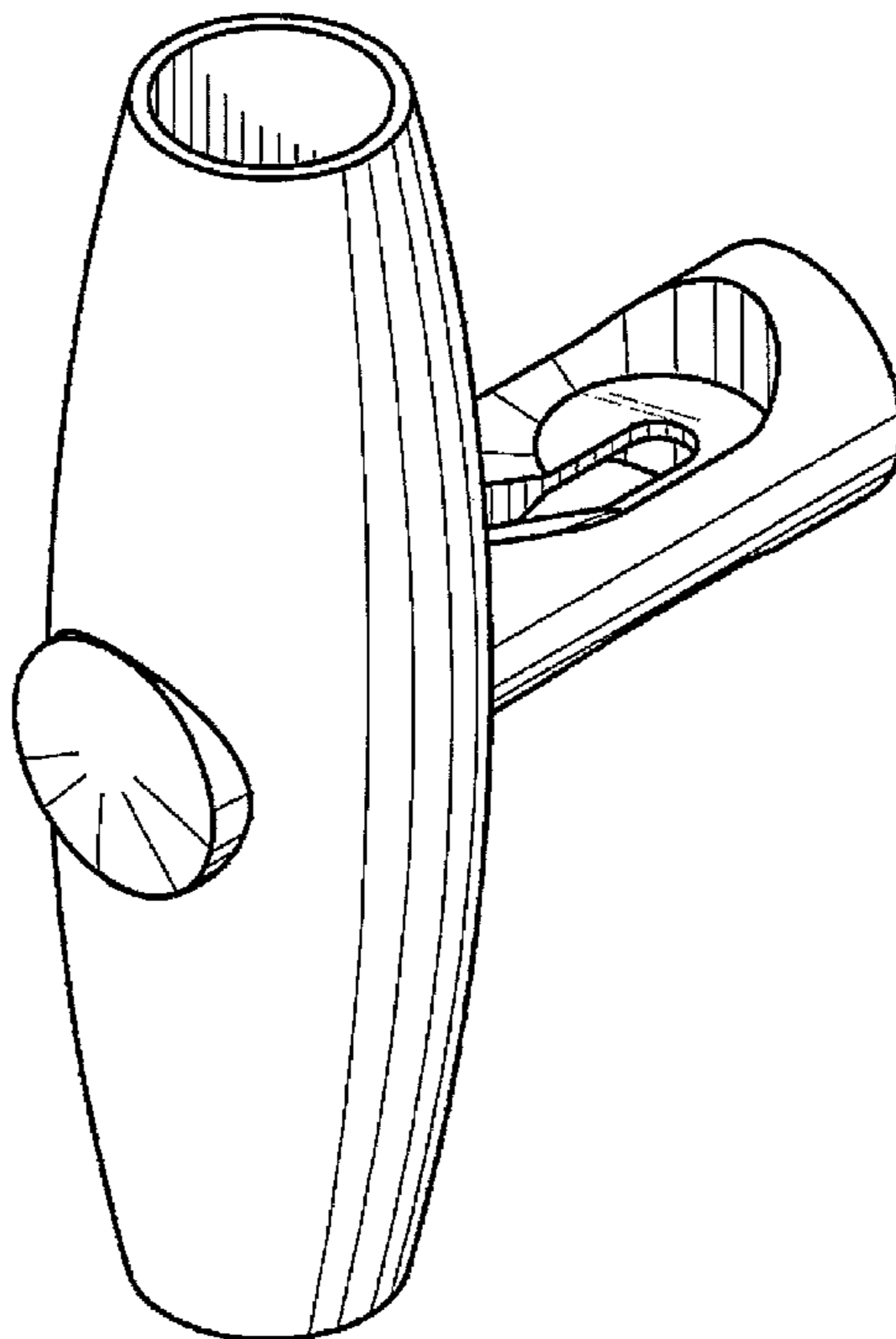
(57) **CLAIM**

The ornamental design for quick release device, as shown and described.

DESCRIPTION

FIG. 1 is a front elevation view of my new design for quick release device, the rear view being a mirror image thereof; FIG. 2 is a top plan view thereof; FIG. 3 is a left elevation view thereof; FIG. 4 is an upper left perspective view thereof; and, FIG. 5 is an upper right perspective view thereof.

1 Claim, 5 Drawing Sheets



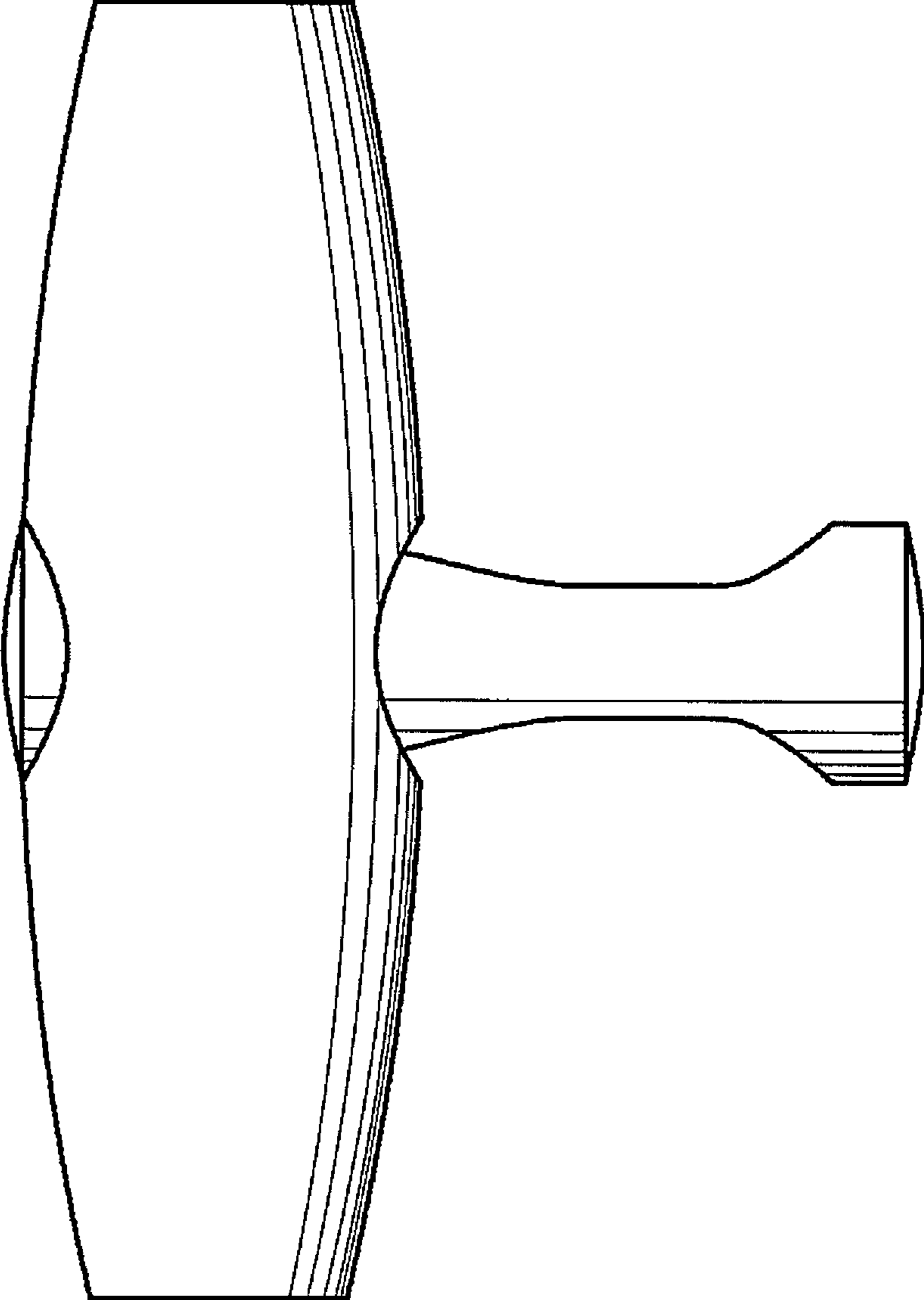


Figure 1

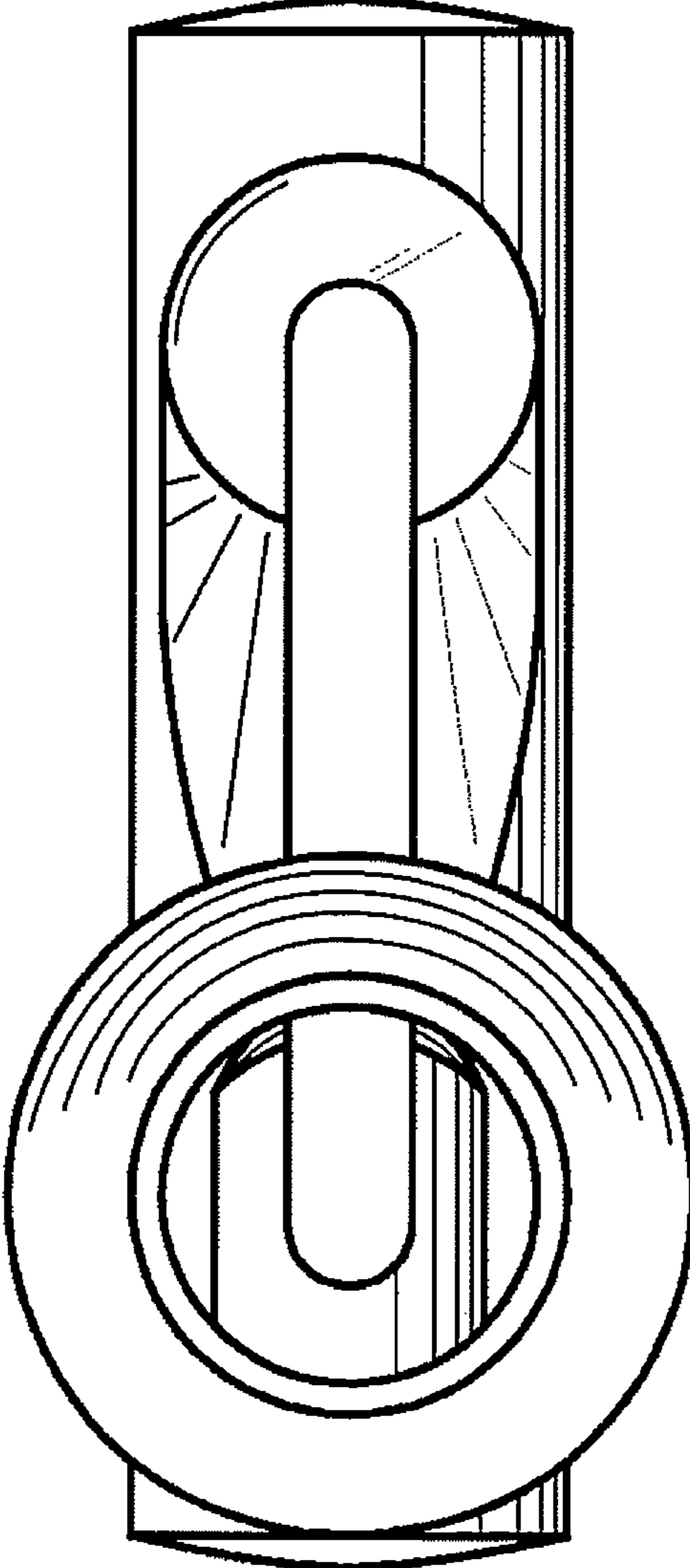


Figure 2

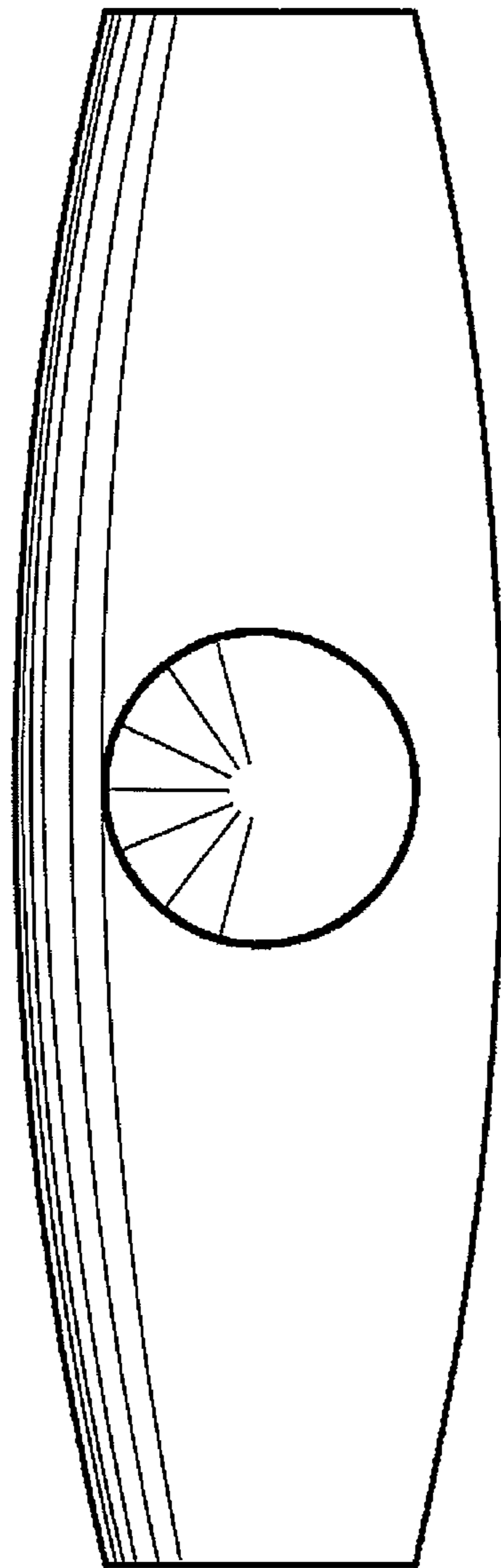


Figure 3

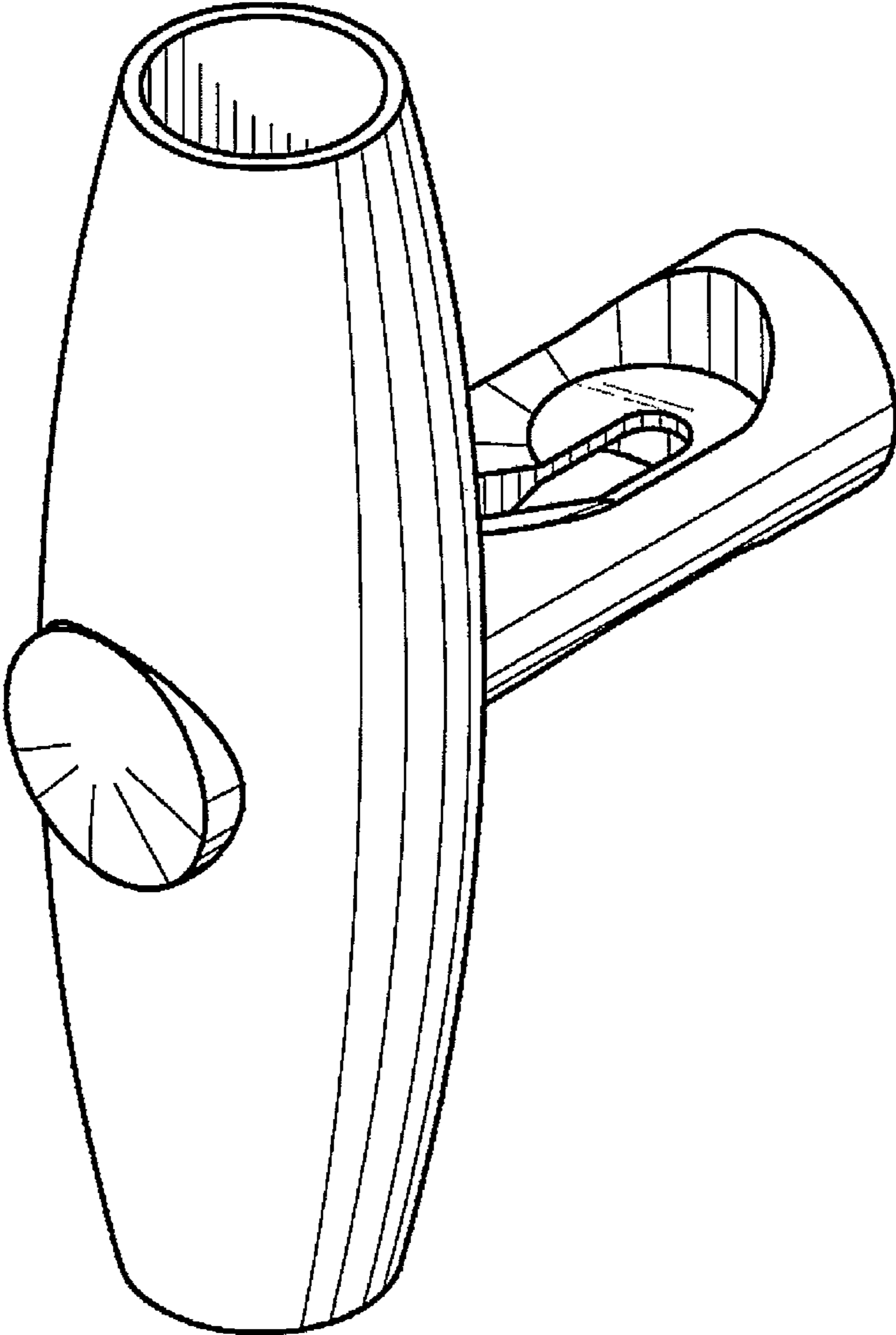


Figure 4

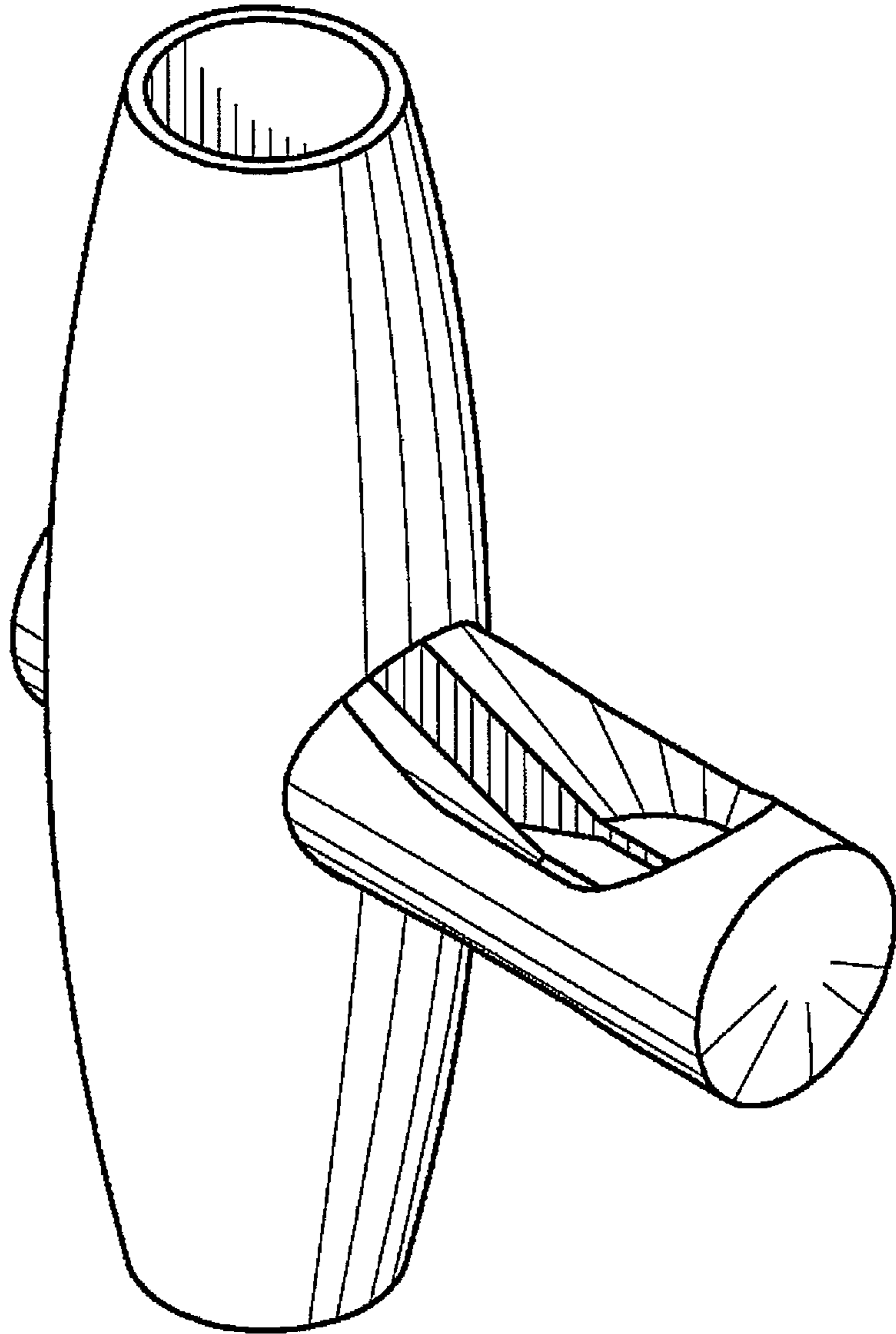


Figure 5